



**botton + gardiner**  
PUBLIC SPACE FURNITURE

1300 762 701  
[bottongardiner.com.au](http://bottongardiner.com.au)

Botton + Gardiner - A Division of Baresque Australia Pty Ltd

ELEMENTS

# JUNCTION FURNITURE

**botton + gardiner**  
PUBLIC SPACE FURNITURE



## About botton + gardiner

Botton + Gardiner is an Australian design and manufacturing company specialising in quality furniture and fixtures for public authorities, shopping centres, accommodation and hospitality industries. Botton + Gardiner provide the complete solution with a great range of standard product, an in-house design team to develop tailored furniture for projects and can take care of installation and placement of the finished items.

Established in 1995 and purchased by Baresque in 2013, Botton + Gardiner has successfully gained a significant position in domestic and export marketplaces for delivery of a high standard of product and service. Botton + Gardiner's range of Australian made products and offerings from overseas include urban furniture, banquette seating, litter receptacles and cafe and restaurant dining furniture for external and internal applications. Botton + Gardiner furniture can be found in shopping centres, council parklands and aged care facilities, as well as corporate breakout and meeting spaces. In hospitality, Botton + Gardiner products lend their distinctive character to five star hotels and restaurants designed by leading architects and interior designers.



Avenue Hotel, Canberra

**botton + gardiner**  
PUBLIC SPACE FURNITURE

# CONTENTS

## TABLES



Ellipse  
Dining Table p10



Asterisk  
Coffee Table p28



Asterisk  
Side Table p30

## SEATING



Felix  
Dining Chair p12



Amanda  
Dining Chair p14



Armadillo  
Armchair and Ottoman p22



Wishbone  
Armchair p18



Wishbone  
Ottoman p18



Wishbone  
Sofa p18

## FINISHES p32

## JUNCTION DESIGN FEATURES

Introducing our Junction furniture, a family of products designed by Botton + Gardiner, for use in hotels, shopping centre pods, restaurants, office break out spaces and serviced apartments. This coordinated family was designed with robustness for communal spaces in mind, resulting in the distinctive angular metal frame motif and geometric forms contrasted against soft, upholstered curves and volumes. The standard range of finishes consist of an extensive colour palette in durable materials including stainless steel, stone and hardwood, designed to be suitable to a vast range of interior styles.





# Ellipse

Dining Table

With its geometric wishbone base and oval-inspired table top the sophisticated Ellipse Dining Table stands out from the crowd. Delve into luxury with metallic tones and marble slabs, keep it classic with timber textures or modernise in monochrome. Available as a 4, 6 or 8-seater.

### FINISHES

Top - Stone, laminate or veneer. See pages 35 - 37 for standard colour ranges.

Legs - Steel; chrome or powdercoated or Stainless Steel; natural or metallic. See pages 34 - 35 for standard colour ranges.

### FEATURES

Available as 4, 6 or 8 seater

Glides on underside of legs

### OPTIONS

Protective tempered glass top

### WARRANTY

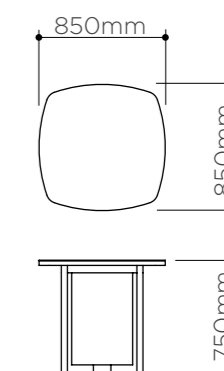
2 years

### INDICATIVE LEADTIME

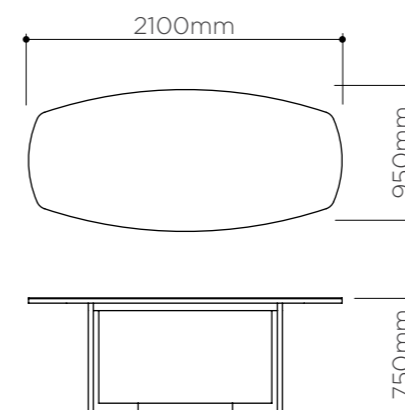
10-12 weeks depending on project size



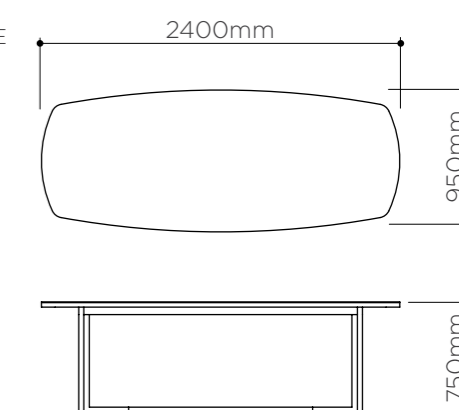
4 SEATER  
ELLIPSE TABLE



6 SEATER  
ELLIPSE TABLE



8 SEATER  
ELLIPSE TABLE



# Felix

Dining Chair



The robust Felix Dining Chair has a sturdy steel frame perfect for commercial environments. The proportions of the backrest and padded seat ensures comfortable dining. Add interest by contrasting your fabric panels and/or piping or keep it classic with a single upholstery.

#### FINISHES

Legs - Steel; chrome or powdercoated or Stainless Steel; natural or metallic. See pages 34 - 35 for standard colour ranges.

#### FABRIC

Select a fabric from the Baresque range, specify a custom fabric or supply your own. Fabric required 1.75mtrs (based on one plain colour/textured fabric, 137cm wide)

#### FEATURES

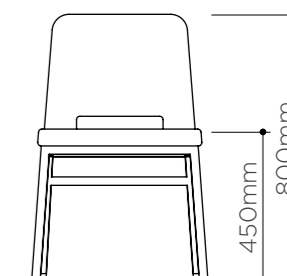
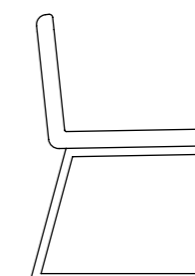
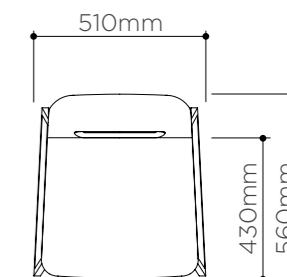
High density fire retardant foam and dacron  
Glides on underside of legs  
Sturdy frame

#### WARRANTY

2 years

#### INDICATIVE LEADTIME

10-12 weeks depending on project size



# Amanda

Dining chair

The free-flowing Amanda Dining Chair has a charming form with comfortable proportions sitting on top of seemingly slender legs. With a choice between classic solid timber or flared steel legs, the Amanda is ideally suited to restaurants, cafes, hotels, aged care dining and foodcourts.

#### FINISHES

Legs - Hardwood, Steel; chrome or powdercoated or Stainless Steel; natural or metallic.  
See pages 34 - 35 for standard colour range.

#### FABRIC

Select a fabric from the Baresque range, specify a custom fabric or supply your own.  
Fabric required 3mtrs (based on one plain colour/textured fabric, 137cm wide)

#### FEATURES

High density fire retardant foam and dacron  
Glides on underside of legs

#### OPTIONS

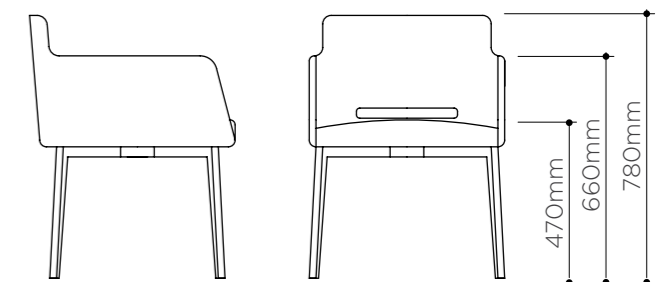
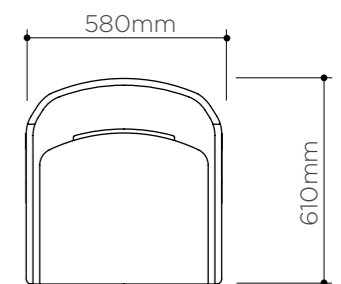
Solid backrest

#### WARRANTY

2 years

#### INDICATIVE LEADTIME

10-12 weeks depending on project size







# Wishbone

Sofa, Armchair and Ottoman



Armchair



Sofa



Ottoman

The sculptural form of the Wishbone range balances volume on top of a sleek base. The moulded arm and backrest makes for comfortable, commercial seating. The choice of the traditional timber or the contemporary metal flat bar leg allows this piece to fit flexibly into many interior styles. Sofa available as 2 or 3 seater.

## FINISHES

Legs - Hardwood, Steel; chrome or powdercoated or Stainless Steel; natural or metallic.  
See pages 34 - 35 for standard colour ranges.

## FABRIC

Select a fabric from the Baresque range, specify a custom fabric or supply your own.

Fabric required (based on one plain colour/textured fabric, 137cm wide)

- Three seater sofa: 16mtrs
- Two seater sofa: 11.5mtrs
- Single seater armchair: 9mtrs
- 1700mm Ottoman: 3mtrs
- 2200mm Ottoman: 4.5mtr

## FEATURES

High density fire retardant foam and dacron  
Glides on underside of legs

## WARRANTY

2 years

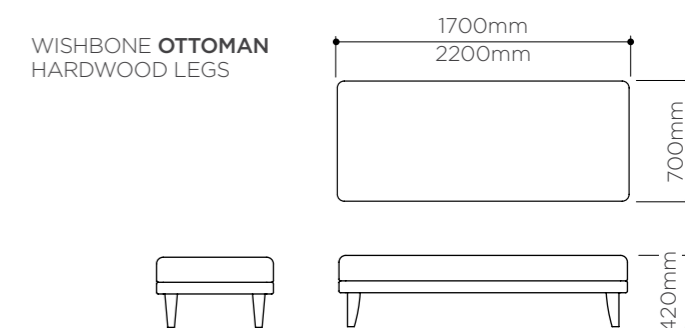
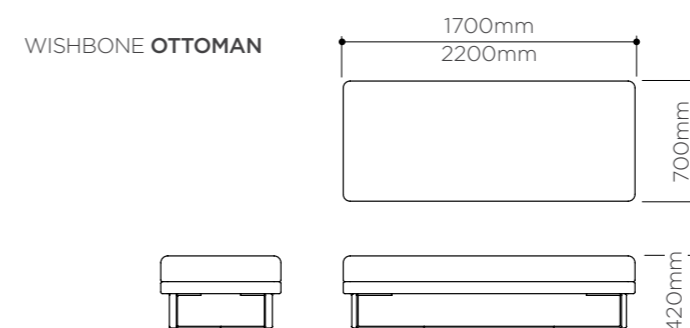
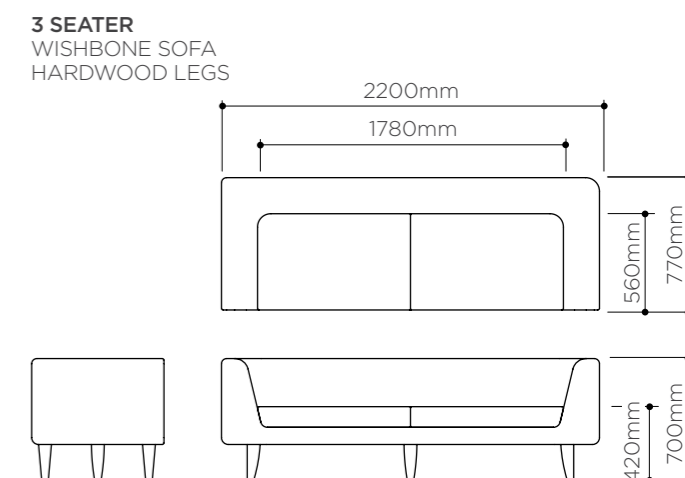
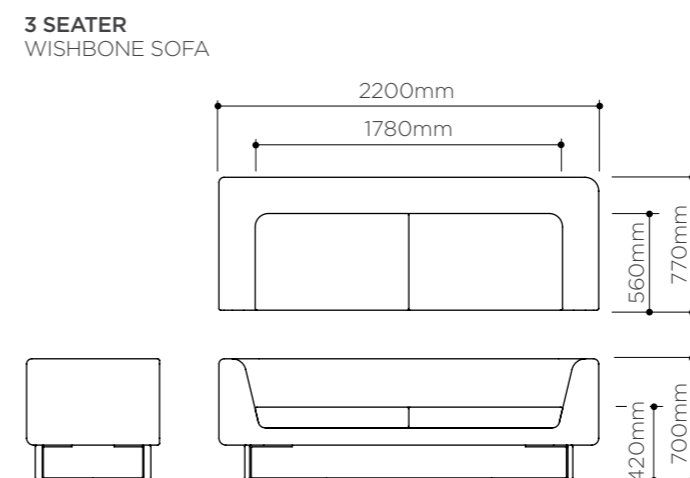
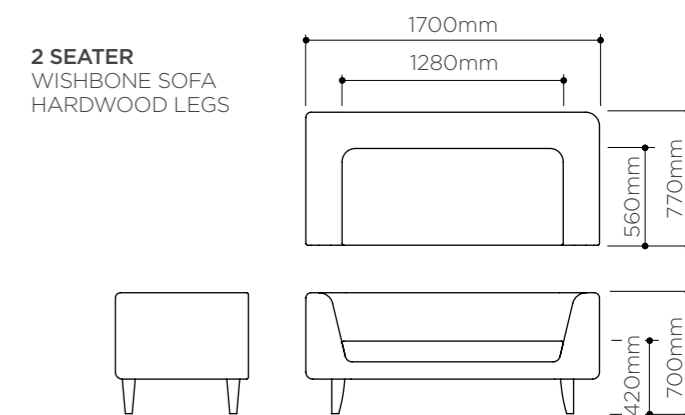
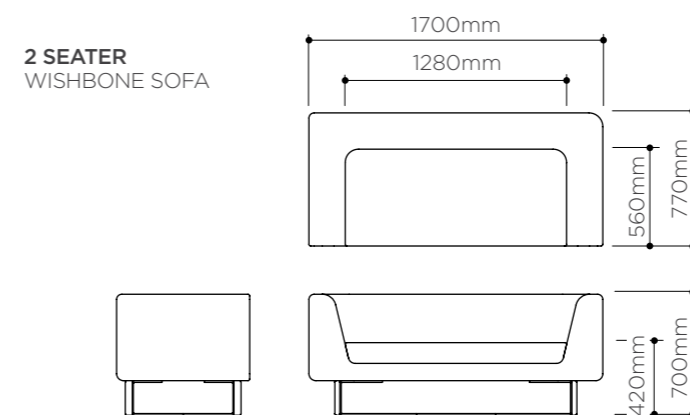
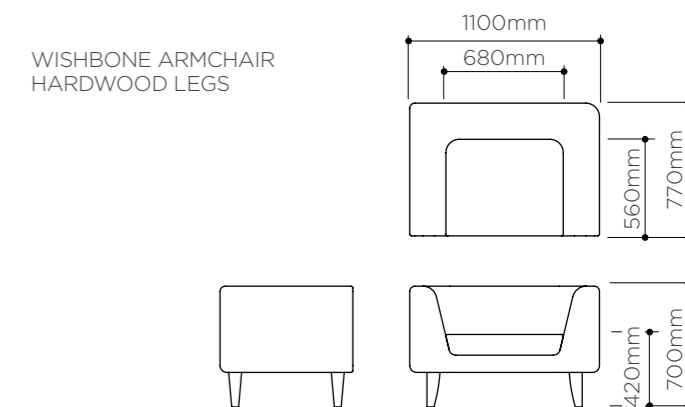
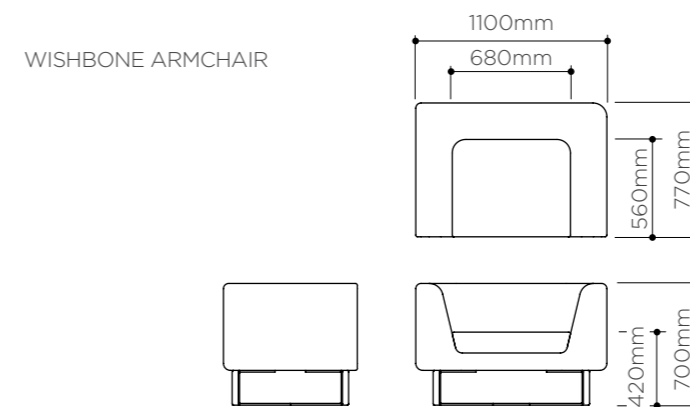
## INDICATIVE LEADTIME

10-12 weeks depending on project size





**Wishbone** Sofa, Armchair and Ottoman



# Armadillo

Armchair and Ottoman



The ample figure of the Armadillo Armchair makes it a centre piece in any setting. Choose between having feature timber on the backrest and legs or the fully upholstered version with the metal legs. Pair it with the Armadillo Ottoman for complete relaxation.

#### FINISHES

Backrest - Veneer or laminate, see pages 35, 37 for standard colour ranges.

Legs (veneer/laminate backed chair) – Hardwood to match backrest.

Legs (upholstered back chair) – Steel; chrome or powdercoated or stainless.

Fully upholstered chair legs: Steel; chrome or powdercoated or Stainless Steel; natural or metallic.

See pages 34 - 35 for standard colour ranges.

#### FABRIC

Select a fabric from the Baresque range, specify a custom fabric or supply your own.

Upholstery - Fabric required (based on one plain colour/textured fabric, 137cm wide)

- Chair: 3mtrs

- 730mm Ottoman: 1.75mtrs

#### FEATURES

High density fire retardant foam and dacron

Glides on underside of legs

#### OPTIONS

Solid backrest

#### WARRANTY

2 years

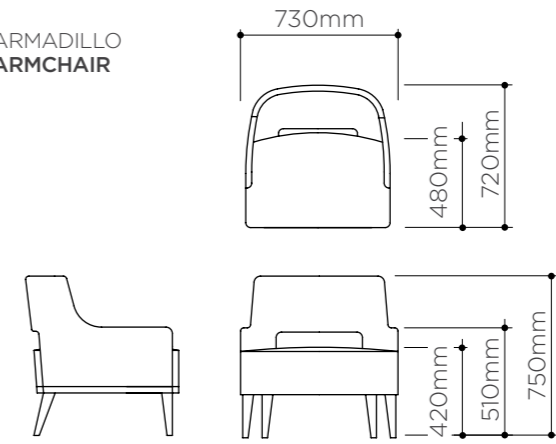
#### INDICATIVE LEADTIME

10-12 weeks depending on project size

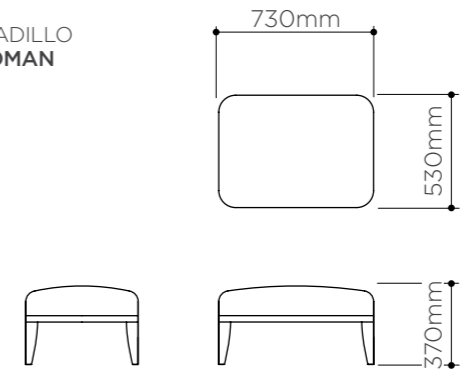




ARMADILLO  
ARMCHAIR



ARMADILLO  
OTTOMAN





# Asterisk

Coffee Table

The stunning Asterisk Coffee Table with its metallic, five-point base and contrasting top stands out from the crowd. The metal frame is strong and durable for commercial environments whilst protecting the table top edge. With a wide selection of finishes and colours available the aesthetic of the table can be customised to suit any palette.



#### FINISHES

Top - Stone, laminate, veneer or glass. See page 35 - 37 for standard colour ranges.

Legs - Steel; chrome or powdercoated or Stainless Steel; natural or metallic.

See page 34 - 35 for standard colour range.

#### FEATURES

Glides on underside of legs

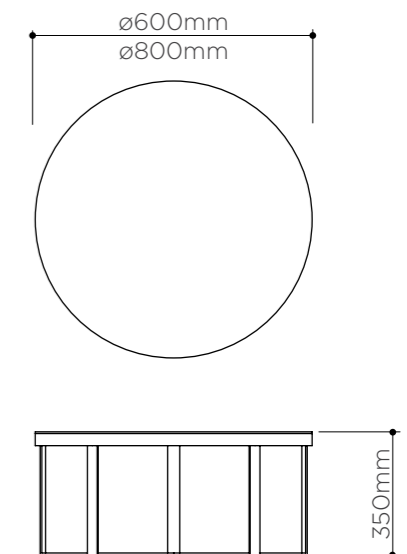
Co-ordinates with Asterisk Side Table

#### WARRANTY

2 years

#### INDICATIVE LEADTIME

10-12 weeks depending on project size



# Asterisk

Side Table



The stunning Asterisk Side Table with its metallic, triangular base and contrasting top compliments the Asterisk Coffee Table or works great on its own. The metal frame adds a touch of class to the design whilst protecting the table top edge. With a wide selection of finishes and colours available the aesthetic of the table can be customised to suit any palette.

#### FINISHES

Top - Stone, laminate, veneer or glass. See pages 35 - 37 for standard colour ranges.

Legs - Steel; chrome or powdercoated or Stainless Steel; natural or metallic. See pages 34 - 35 for standard colour ranges.

#### FEATURES

Glides on underside of legs

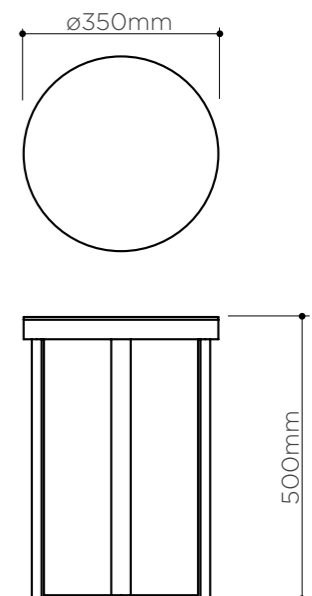
Co-ordinates with Asterisk Coffee Table

#### WARRANTY

2 years

#### INDICATIVE LEADTIME

10-12 weeks depending on project size



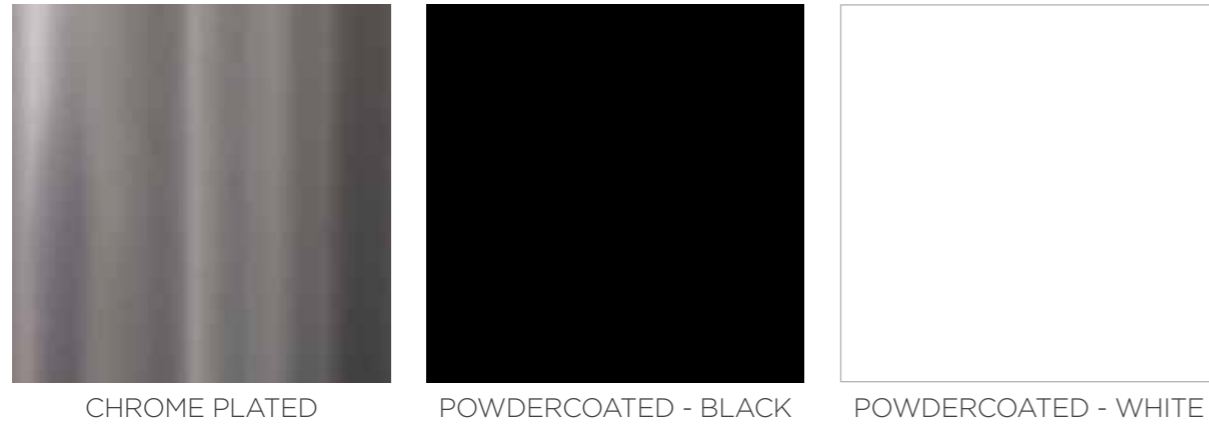


# FINISHES



## MILD STEEL

Durable, sturdy and low cost - mild steel is an ideal material for use in commercial grade furniture frames. With a variety of finishes and available in an array of profiles and gauges it makes for a versatile material.



### CARE + MAINTENANCE

Always use a clean, soft, white cloth and always test cleaning in an inconspicuous area first. Wipe surface with a clean, soft cloth dampened with a mild solution of liquid detergent and warm water. For more difficult stains methylated spirits can be used in place of the detergent and water mixture.

## STAINED HARDWOOD

A naturally beautiful material - hardwood has great natural structure and its machinability results in beautiful forms apropos for application in furniture design. With a natural warmth and available in a variety of stained tones, hardwood adds a classic style to furniture design.



### CARE + MAINTENANCE

Always use a clean, soft, white cloth and always test cleaning in an inconspicuous area first. Wipe surface with a clean, soft cloth dampened with a mild solution of liquid detergent and warm water. Ensure surface is thoroughly dried and no moisture left on surface. Avoid using any abrasive materials or contaminated clothes as these will scratch the surface finish.

## BRUSHED STAINLESS STEEL

With a hard wearing and elegant finish, stainless steel has inherent structural integrity and corrosion resistance making it ideal for use in commercial grade furniture frames.



### CARE + MAINTENANCE

Always use a clean, soft, white cloth and always test cleaning in an inconspicuous area first. Wipe surface with a clean, soft cloth dampened with a mild solution of liquid detergent and warm water. For more difficult stains methylated spirits or stainless steel cleaners can be used in place of the detergent and water mixture.

## STAINED VENEER

Natural timber veneer is a cost effective way of adding a classic hardwood element to furniture design. Providing the same look and texture as hardwood, veneer makes for an elegant surfacing material.



### CARE + MAINTENANCE

Always use a clean, soft, white cloth and always test cleaning in an inconspicuous area first. Wipe surface with a clean, soft cloth dampened with a mild solution of liquid detergent and warm water. Ensure surface is thoroughly dried and no moisture left on surface. Avoid using any abrasive materials or contaminated clothes as these will scratch the surface finish.

## ENGINEERED STONE

Engineered for modern living, our stone combines the beauty and prestige of natural stone with the hard-wearing qualities of quartz. These luxurious surfaces offer high performance with low maintenance and no need for sealing or waxing. Stone surfaces are manufactured with a minimum of 93% quartz which makes the surface highly durable.

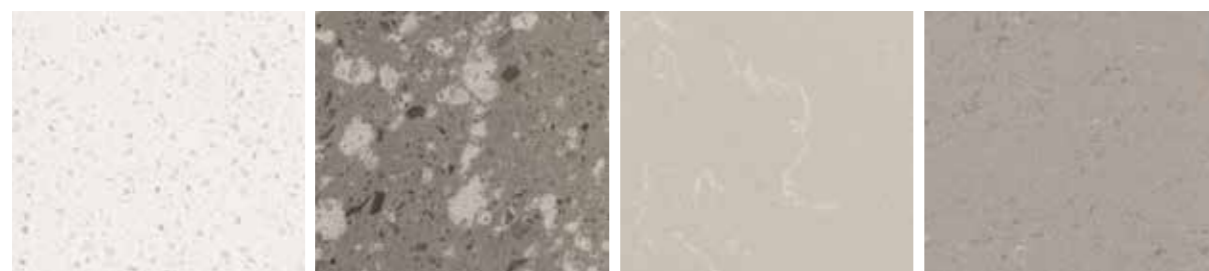


CARRIS

COAL

MIST

SNOW



NEVE

CONCRETE

SAND

PATE

### CARE + MAINTENANCE

To keep your Engineered Stone clean, simply wipe with a soft cloth and a pH neutral household liquid detergent. Avoid exposure to products with high pH levels / solvents. If your Engineered Stone comes into contact with such products, rinse immediately to neutralise the effect, and then follow usual cleaning procedure.

## LAMINATE

Laminate panels have a high-pressure decorative laminate surface that offers chemical, stain and abrasion resistance for long lasting durability.



OAK

LIGHT WALNUT

WENGE

JAPAN BLACK

### CARE + MAINTENANCE

For general care and maintenance, simply wipe away most spills or marks with a damp microfibre cloth, or use an all purpose cleaner such as Windex spray cleaner or Ajax Spray n Wipe. Rubbing gently with a clean, dry cloth brings back the brightness of laminates. DO NOT use abrasive or polishing materials.

## TEMPERED GLASS

With its hard wearing and easily cleaned surface, glass further enhances the serviceability of table tops. Tempered (toughened) glass has increased strength over standard glass, making it a safe and effective material for use in commercial furniture.



CLEAR

MIRROR

BLACK

### CARE + MAINTENANCE

Always use a clean, soft, white cloth and always test cleaning in an inconspicuous area first. Wipe surface with a clean, soft cloth dampened with a mild solution of liquid detergent and warm water. For more difficult stains methylated spirits can be used in place of the detergent and water mixture.

# UPHOLSTERY FABRICS

Our sister company Baresque offers a wide range of well priced, high performance fabrics including Crypton, commercial and vinyl upholsteries.

Check out these swatches for just a few ideas, or call Baresque on 1300 306 399 to find out more.



**1300 306 399**  
**baresque.com.au**  
**info@baresque.com.au**

# INDEX



PAGE	PRODUCT	FABRIC/TOP FINISH	FRAME FINISH
<b>FRONT COVER</b>	Asterisk Coffee Table (600mm dia.)	Stained Veneer, Wenge	Brushed Stainless Steel, Brass
	Asterisk Side Table	Tempered Glass, Black	Brushed Stainless Steel, Brass
	Armadillo Armchair	Lenity, 606 Honey	Mild Steel, Powdercoated White
<b>8- 9</b>	Amanda Dining Chair	Foundation, 9003 Steel	Brushed Stainless Steel, Natural
	Felix Dining Chair	Front – Foundation, 9003 Steel Back – Hendrix, 902 Angel	Mild Steel, Powdercoated Black
	Ellipse Dining Table	Oak Veneer, Japan Black	Mild Steel, Powdercoated Black
<b>10-12</b>	Ellipse Dining Table	Oak Veneer, Japan Black	Mild Steel, Powdercoated Black
<b>12-13</b>	Felix Dining Chair	Front – Foundation, 9003 Steel Back – Hendrix, 902 Angel	Mild Steel, Powdercoated Black
<b>14</b>	Amanda Dining Chair	Revolution, 608 Linen	Stained Hardwood, Walnut
<b>14-15</b>	Amanda Dining Chair	Foundation, 9003 Steel	Brushed Stainless Steel, Natural
<b>16-17</b>	Armadillo Armchair	Jeffery, 9003 Gainsboro	Shell – Stained Veneer, Walnut Legs – Stained Hardwood, Walnut
	Junction Side Table (frame only as planter stand)		Brushed Stainless Steel, Brass
	Wishbone Sofa	Claro, 909 Charcoal	Mild Steel, Powdercoated Black
	Asterisk Coffee Table (800mm dia.)	Engineered Stone, Carrarra	Brushed Stainless Steel, Bronze
<b>18</b>	Wishbone Armchair	Jeffery, 67 Cosmic Latte	Mild Steel, Powdercoated White
	Wishbone Sofa	Claro, 909 Charcoal	Mild Steel, Powdercoated Black
	Wishbone Ottoman	Claro, 8009 Amber	Mild Steel, Powdercoated White
<b>19</b>	Wishbone Sofa	Claro, 909 Charcoal	Stained Hardwood, Walnut OR Mild Steel, Powdercoated Black
<b>20</b>	Wishbone Sofa	Claro, 909 Charcoal	Stained Hardwood, Walnut
	Wishbone Armchair	Jeffery, 67 Cosmic Latte	Stained Hardwood, Walnut

PAGE	PRODUCT	FABRIC/TOP FINISH	FRAME FINISH
<b>22-23</b>	Armadillo Armchair	Jeffery, 9003 Gainsboro	Shell – Stained Veneer, Walnut Legs – Stained Hardwood, Walnut
<b>22</b>	Armadillo Ottoman	Jeffery, 9003 Gainsboro	Stained Hardwood, Walnut
<b>24</b>	Armadillo Armchair	Lenity, 606 Honey	Mild Steel, Powdercoated White
<b>25</b>	Armadillo Armchair	Jeffery, 9003 Gainsboro	Shell – Stained Veneer, Walnut Legs – Stained Hardwood, Walnut
	Armadillo Ottoman	Jeffery, 9003 Gainsboro	Stained Hardwood, Walnut
	Armadillo Armchair	Lenity, 606 Honey	Mild Steel, Powdercoated White
<b>26-27</b>	Armadillo Armchair	Lenity, 606 Honey	Mild Steel, Powdercoated White
	Asterisk Side Table	Tempered Glass, Black	Brushed Stainless Steel, Brass
	Asterisk Coffee Table (600mm dia.)	Stained Veneer, Wenge	Brushed Stainless Steel, Brass
	Wishbone Armchair	Jeffery, 67 Cosmic Latte	Mild Steel, Powdercoated White
<b>28-29</b>	Asterisk Coffee Table (800mm dia.)	Engineered Stone, Carrarra	Brushed Stainless Steel, Bronze
<b>29</b>	Asterisk Coffee Table (600mm dia.)	Stained Veneer, Wenge	Brushed Stainless Steel, Brass
<b>30-31</b>	Asterisk Side Table	Tempered Glass, Black	Brushed Stainless Steel, Brass
<b>31</b>	Asterisk Coffee Table (800mm dia.)	Engineered Stone, Carrarra	Brushed Stainless Steel, Bronze
<b>33</b>	Asterisk Side Table	Tempered Glass, Black	Brushed Stainless Steel, Brass
	Asterisk Coffee Table (600mm dia.)	Stained Veneer, Wenge	Brushed Stainless Steel, Brass
	Asterisk Coffee Table (800mm dia.)	Engineered Stone, Carrarra	Brushed Stainless Steel, Bronze
<b>BACK COVER</b>	Wishbone Sofa	Claro, 909 Charcoal	Stained Hardwood, Walnut
	Armadillo Armchair	Jeffery, 9003 Gainsboro	Shell – Stained Veneer, Walnut Legs – Stained Hardwood, Walnut
	Amanda Dining Chair	Revolution, 608 Linen	Stained Hardwood, Walnut