

**+ avenue**

**botton + gardiner**  

---

**PUBLIC SPACE FURNITURE**

# about us

**Botton + Gardiner is synonymous with quality commercial furniture. For over 27 years we've been designing and manufacturing sustainable collections that bring public spaces to life, in Australia and around the world.**

## **+ good looks + superior function**

We believe design and durability should be accessible to everyone. Our Australian in-house designers and engineers, together with our team of American fabricators, create innovative solutions that stand the test of time, even in the world's harshest conditions

## **+ activating public spaces**

We focus on bringing communities together. Our collections of outdoor and indoor furniture are specifically designed to make spaces more inviting, engaging, and interactive.

## **+ planet-conscious**

We only have one planet. It's why we do everything we can to promote sustainable processes and prioritize materials that minimize our impact on the environment.

## **+ we love what we do**



# sustainability

**We do everything we can to look after our planet by promoting sustainable processes and materials.**

## + certified hardwood

Sustainable forestry management drives our hardwood selection process. Our Australian Eucalyptus hardwood is certified by the Program for the Endorsement of Forest Certification (PEFC), the world's largest forestry certification system.

## + material alternatives

We offer sustainable alternatives to hardwood, such as Duraslat™; a mineral-based composite material that contains no Volatile Organic Compounds (VOCs) and is engineered using up to 46% natural filler that is based on a renewable mineral.

## + recycled materials

We locally source our steel, and our aluminum. It means we know it uses recycled content and is 100% recyclable.

## + low pollutants

Our powder-coating process doesn't emit VOCs and has Environmental Product Declarations (EPDS) that enable projects to qualify for LEED credits.

## + mindful manufacturing

Our local manufacturing minimizes, sorts and responsibly disposes of physical and airborne waste material, while reducing carbon-intensive transportation.

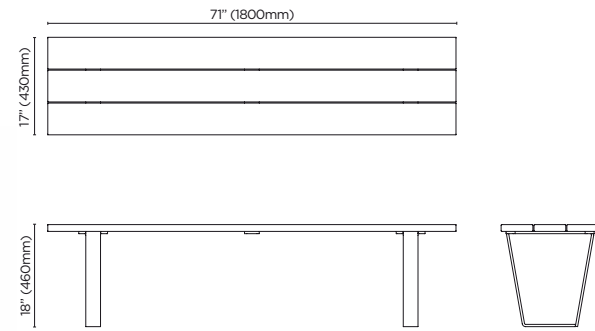




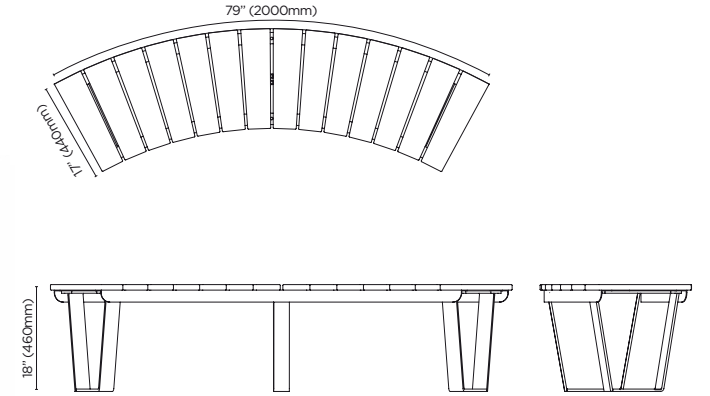
## **+ avenue collection**

Rectangular battens and a tapered steel frame combine to deliver a simple aesthetic that takes its cues from 20th century industrial design. Avenue's functional feel and light appearance make it a collection that complements and sits within most public spaces.

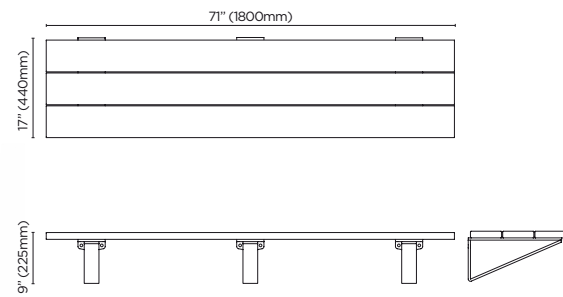
## bench



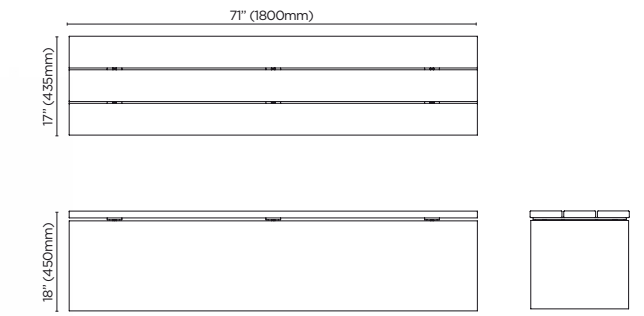
## curved bench



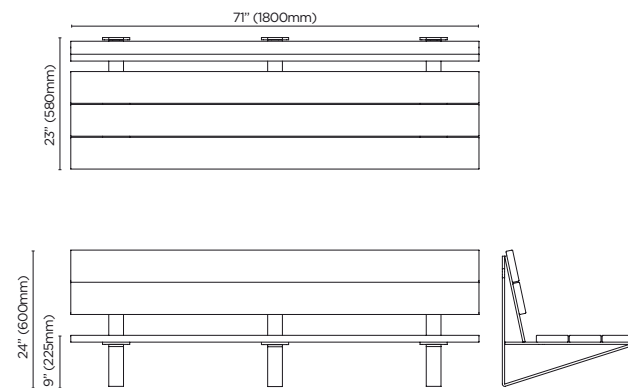
## cantilevered bench



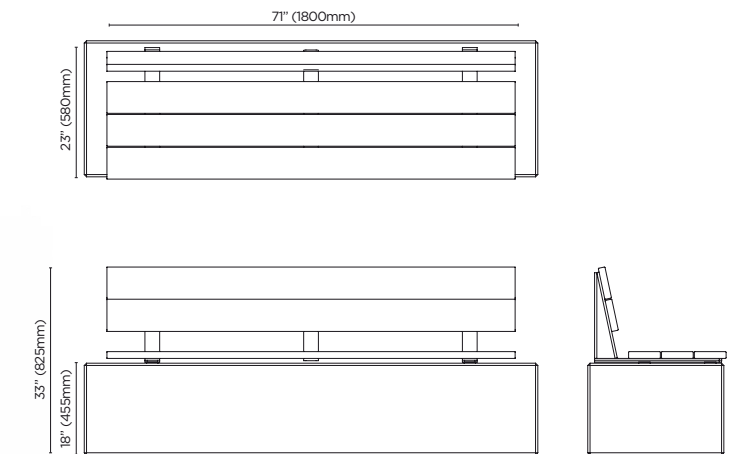
## plinth bench



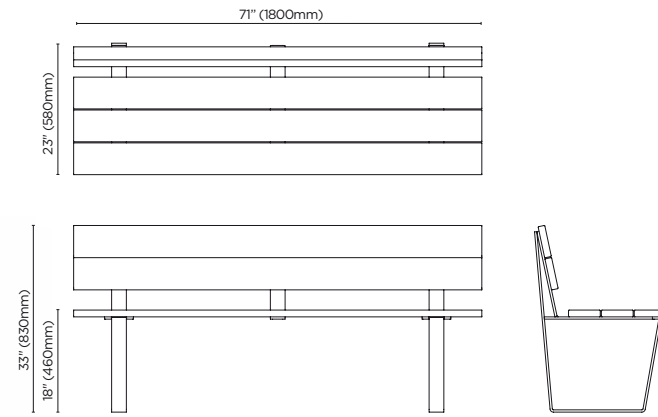
## cantilevered seat



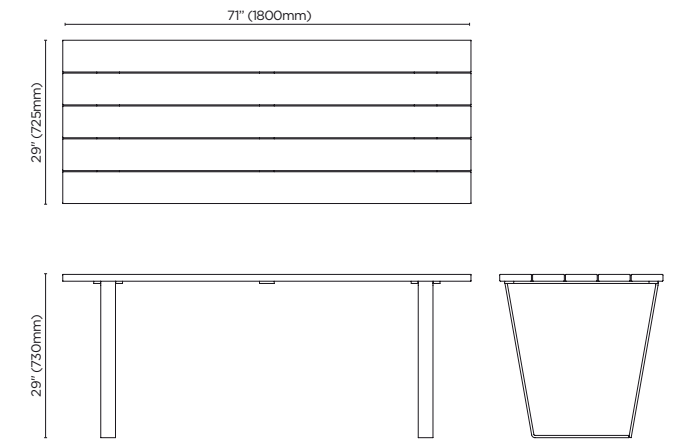
## plinth seat



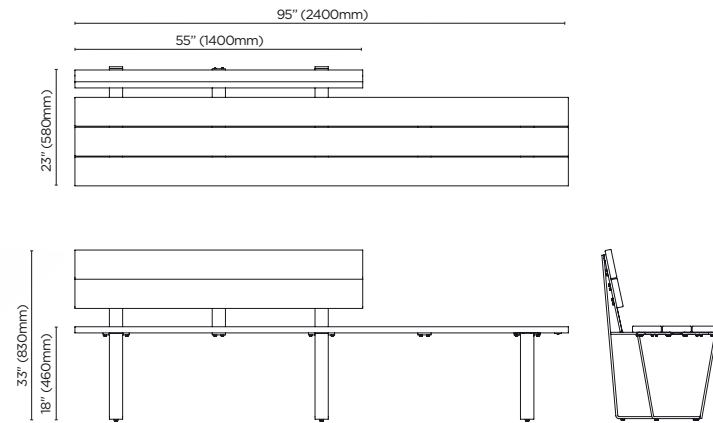
**seat**



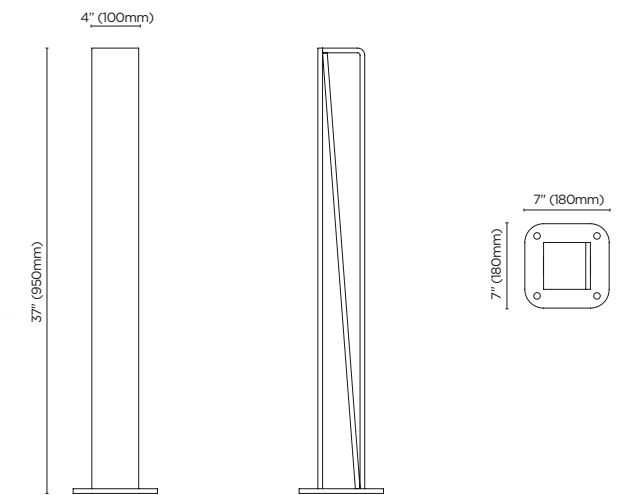
**table**



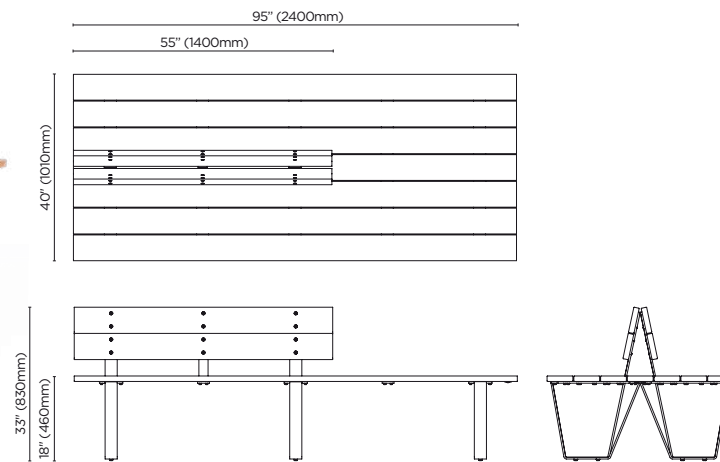
**half back seat**



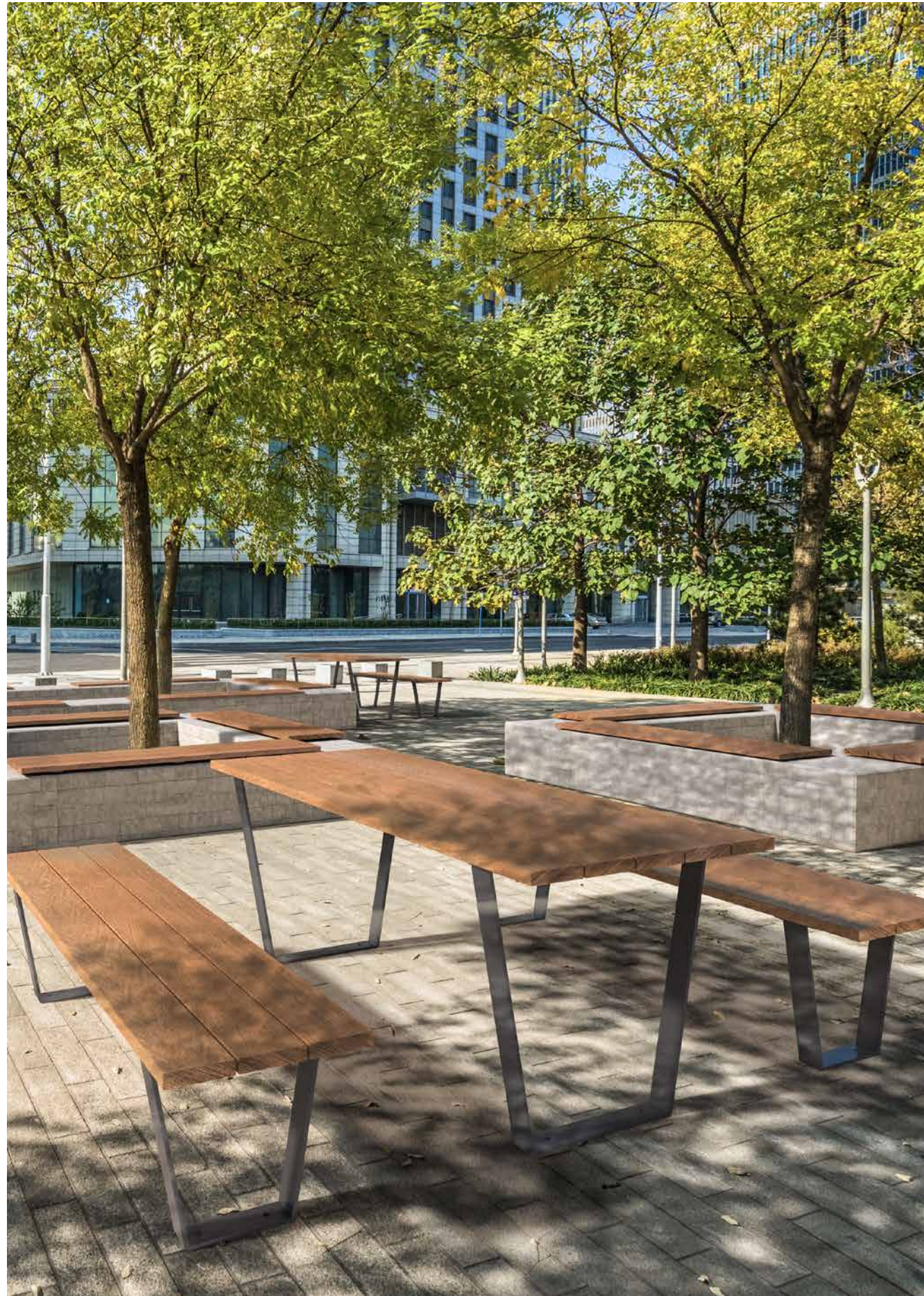
**bollard**



**platform seat**







# materials + finishes

## SUSTAINABLE HARDWOOD



AUSTRALIAN EUCALYPTUS  
uv-resistant oil finish | light



AUSTRALIAN EUCALYPTUS  
uv-resistant oil finish | dark

## DURASLAT™



CANYON



OUTBACK



PLATEAU



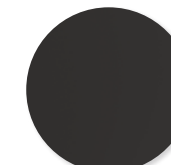
SUMMIT

## POWDER-COAT COLORS

### core



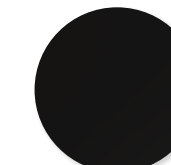
CORETEN  
textured



CHARCOAL  
satin



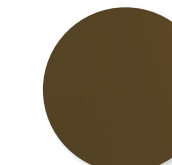
SILVER PEARL  
satin metallic



BLACK  
satin

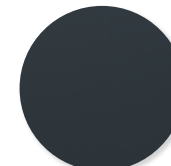


WHITE  
satin



BRONZE  
satin metallic

### signature



DEEP OCEAN  
satin



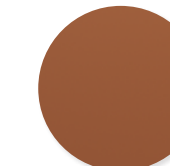
WEDGEWOOD  
satin



MANGROVE  
satin



TERRITORY RED  
matt

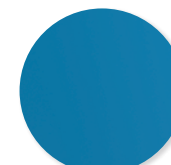


CLAYPOT  
satin



PAPERBARK  
satin

### bold



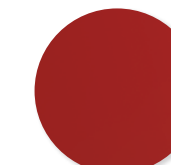
SKY BLUE  
satin



YELLOW GREEN  
satin



PURE ORANGE  
satin



CARMINE RED  
satin



ZINC YELLOW  
satin





**botton + gardiner**  
PUBLIC SPACE FURNITURE

+1 855-922-8335  
[bottongardiner.com](http://bottongardiner.com)

