

+ urban

botton + gardiner

PUBLIC SPACE FURNITURE

about us

Botton + Gardiner is synonymous with quality commercial furniture. For over 27 years we've been designing and manufacturing sustainable collections that bring public spaces to life, in Australia and around the world.

+ good looks + superior function

We believe design and durability should be accessible to everyone. Our Australian in-house designers and engineers, together with our team of American fabricators, create innovative solutions that stand the test of time, even in the world's harshest conditions

+ activating public spaces

We focus on bringing communities together. Our collections of outdoor and indoor furniture are specifically designed to make spaces more inviting, engaging, and interactive.

+ planet-conscious

We only have one planet. It's why we do everything we can to promote sustainable processes and prioritize materials that minimize our impact on the environment.

+ we love what we do



sustainability

We do everything we can to look after our planet by promoting sustainable processes and materials.

+ certified hardwood

Sustainable forestry management drives our hardwood selection process. Our Australian Eucalyptus hardwood is certified by the Program for the Endorsement of Forest Certification (PEFC), the world's largest forestry certification system.

+ material alternatives

We offer sustainable alternatives to hardwood, such as Duraslat™; a mineral-based composite material that contains no Volatile Organic Compounds (VOCs) and is engineered using up to 46% natural filler that is based on a renewable mineral.

+ recycled materials

We locally source our steel, and our aluminum. It means we know it uses recycled content and is 100% recyclable.

+ low pollutants

Our powder-coating process doesn't emit VOCs and has Environmental Product Declarations (EPDS) that enable projects to qualify for LEED credits.

+ mindful manufacturing

Our local manufacturing minimizes, sorts and responsibly disposes of physical and airborne waste material, while reducing carbon-intensive transportation.

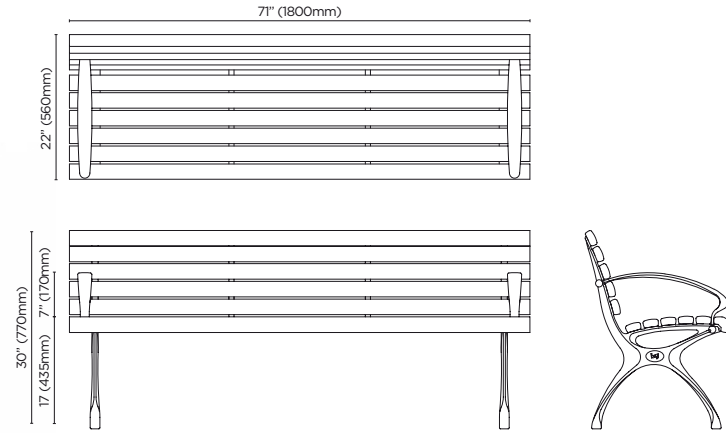




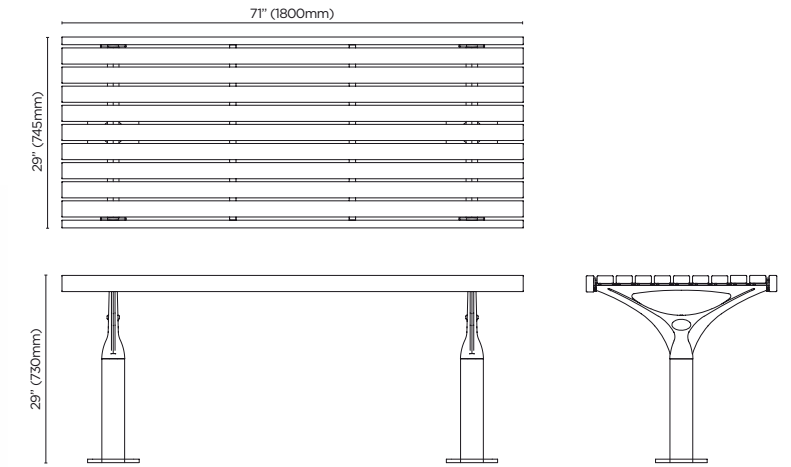
+ urban collection

Referencing Paris's famous wrought ironwork, curved cast aluminum framing is complemented by muscular hardwood or Duraslat™ surfaces to offer timeless design and modern practicality. Urban is close to our heart; a classic, elegant, and highly functional collection that works in almost any public space.

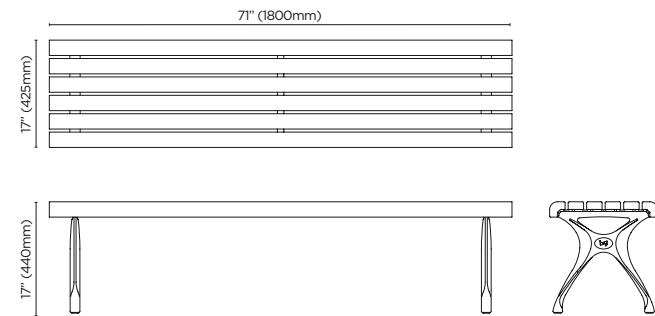
classic seat



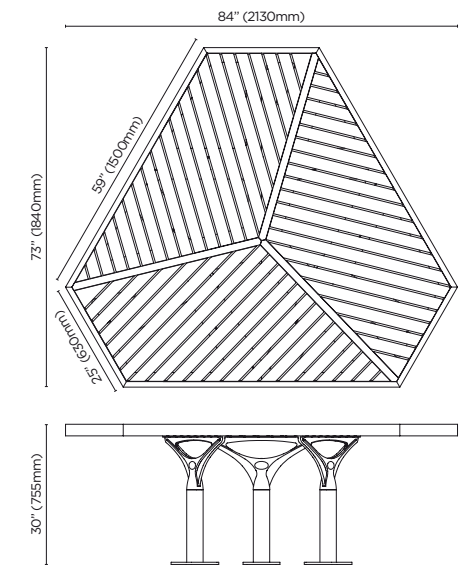
post table



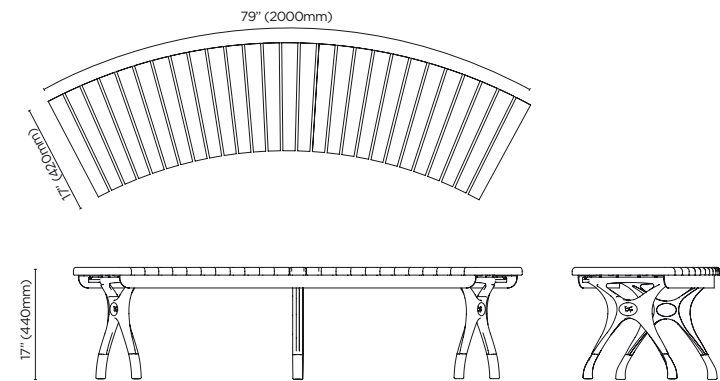
classic bench

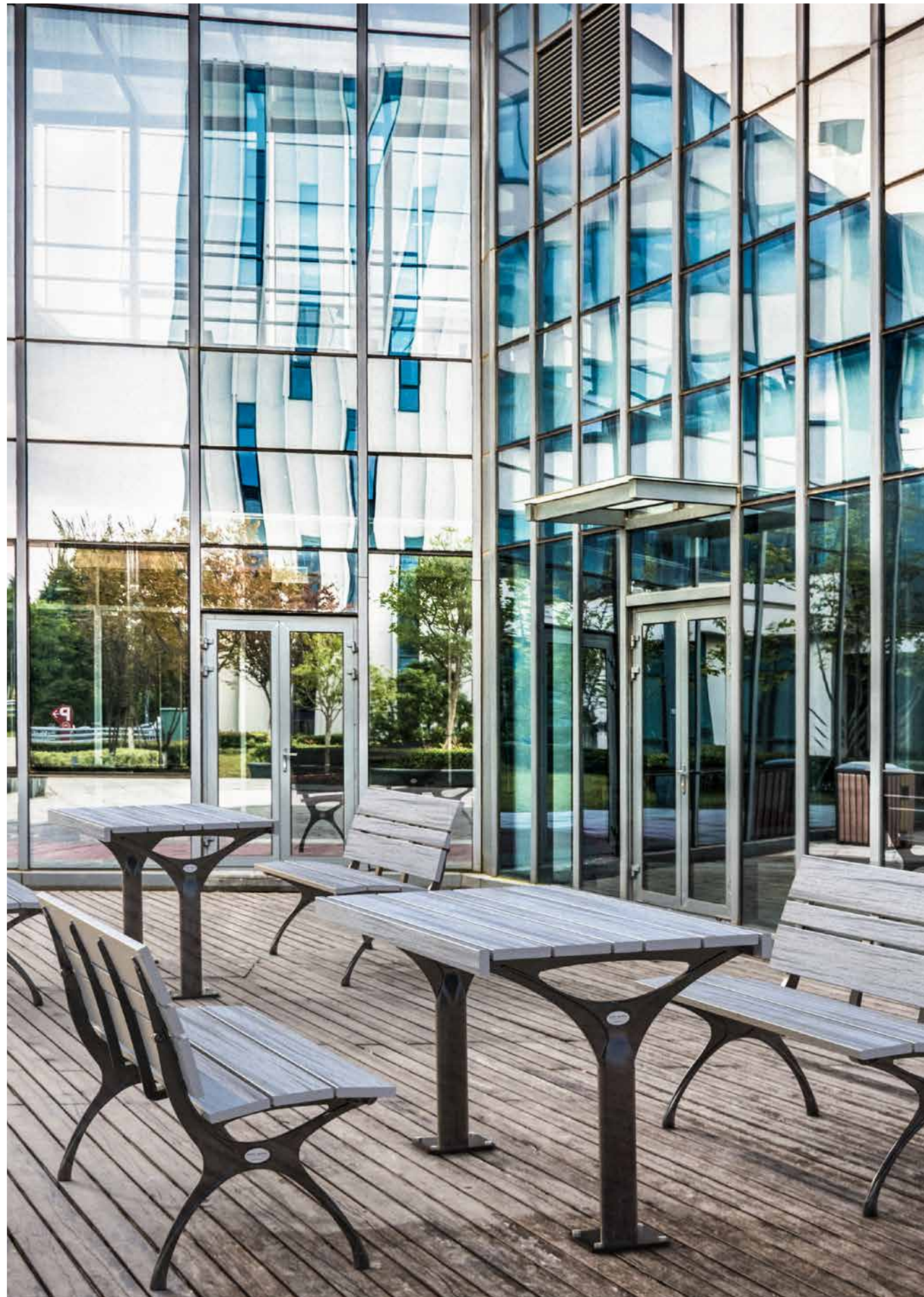


tri table



curved bench





materials + finishes

SUSTAINABLE HARDWOOD



AUSTRALIAN EUCALYPTUS
uv-resistant oil finish | light



AUSTRALIAN EUCALYPTUS
uv-resistant oil finish | dark

DURASLAT™



CANYON



OUTBACK



PLATEAU



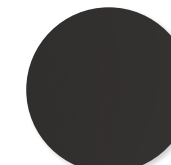
SUMMIT

POWDER-COAT COLORS

core



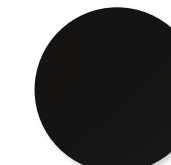
CORETEN
textured



CHARCOAL
satin



SILVER PEARL
satin metallic



BLACK
satin

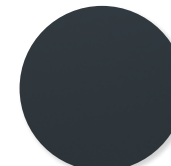


WHITE
satin



BRONZE
satin metallic

signature



DEEP OCEAN
satin



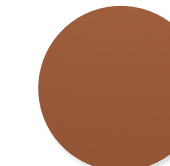
WEDGEWOOD
satin



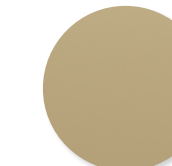
MANGROVE
satin



TERRITORY RED
matt

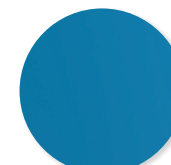


CLAYPOT
satin



PAPERBARK
satin

bold



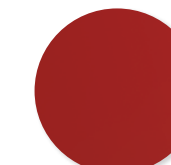
SKY BLUE
satin



YELLOW GREEN
satin



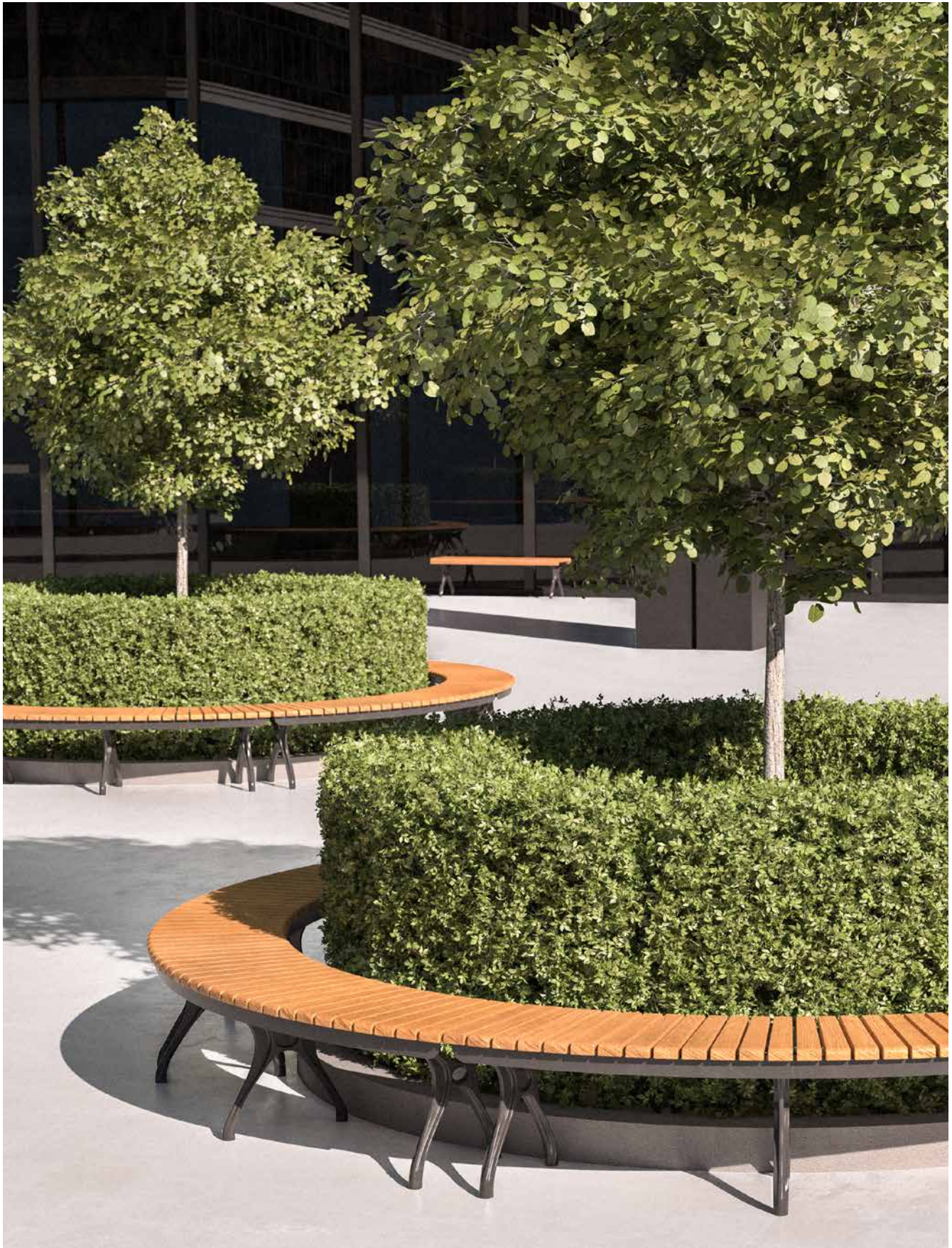
PURE ORANGE
satin



CARMINE RED
satin



ZINC YELLOW
satin



botton + gardiner
PUBLIC SPACE FURNITURE

+1 855-922-8335
bottongardiner.com

