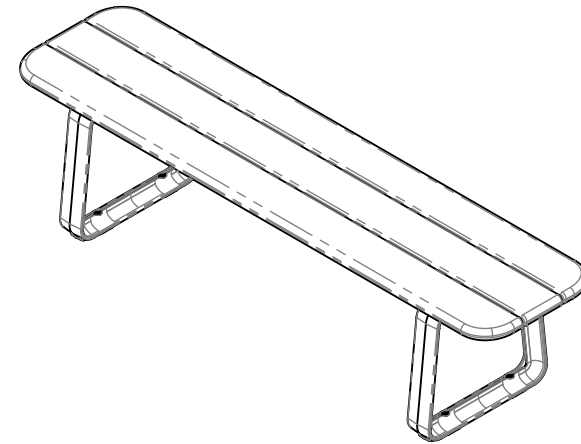
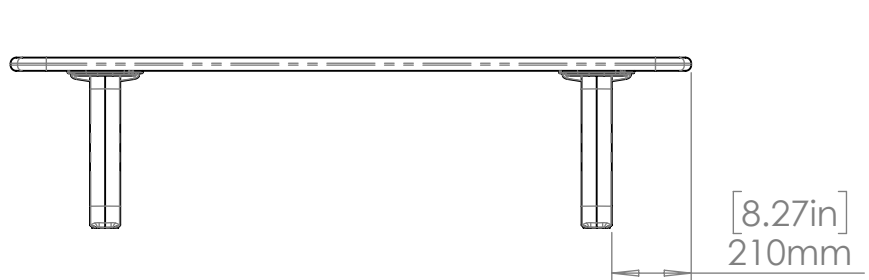


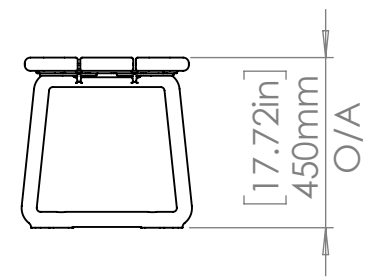
TOP VIEW



ISOMETRIC VIEW

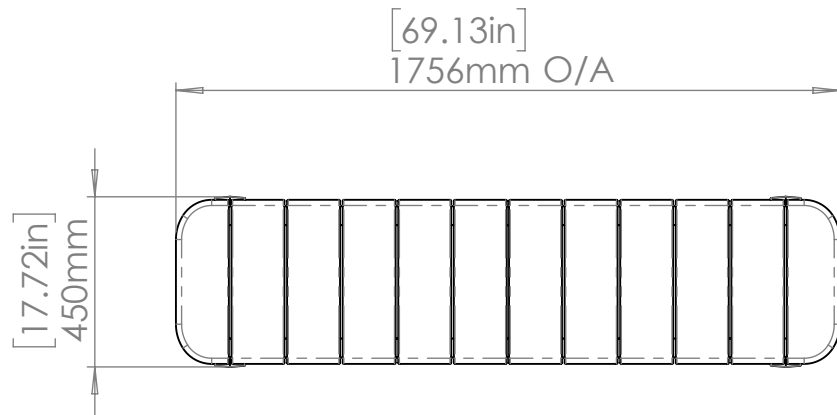


FRONT VIEW

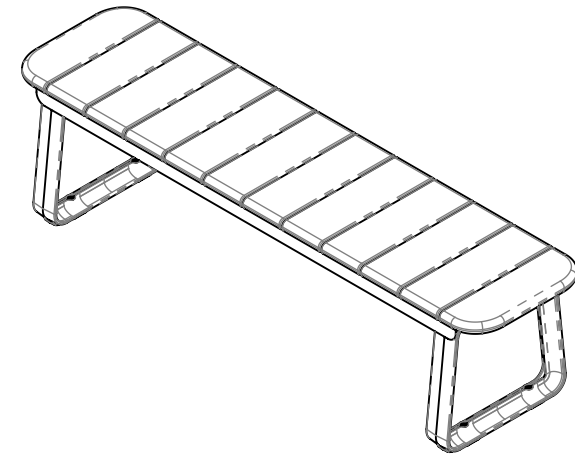


SIDE VIEW

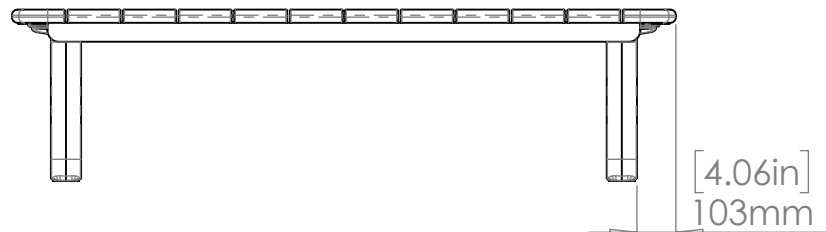
HW - BENCH



TOP VIEW

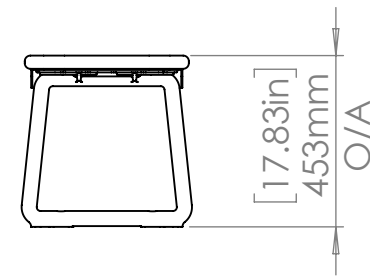


ISOMETRIC VIEW



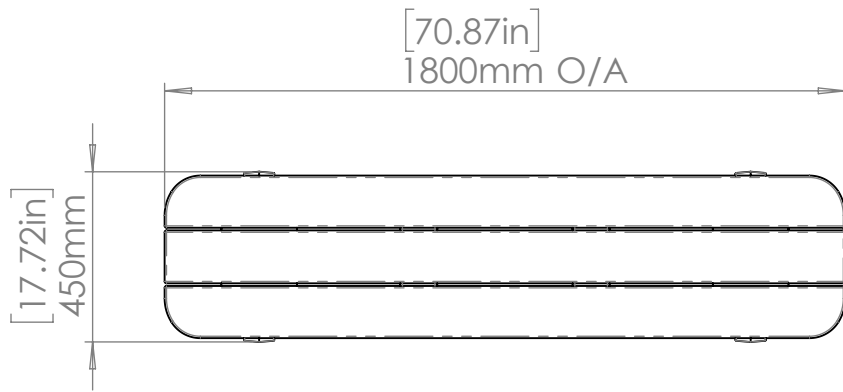
FRONT VIEW

SETBACK

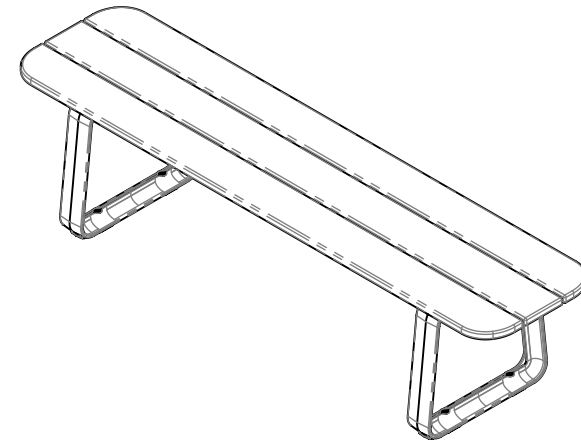


SIDE VIEW

HW - TRANSVERSE BENCH



TOP VIEW

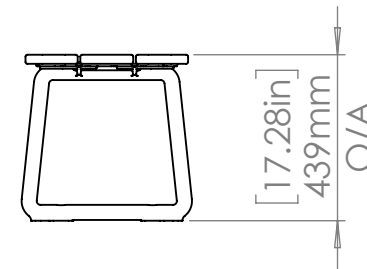


ISOMETRIC VIEW



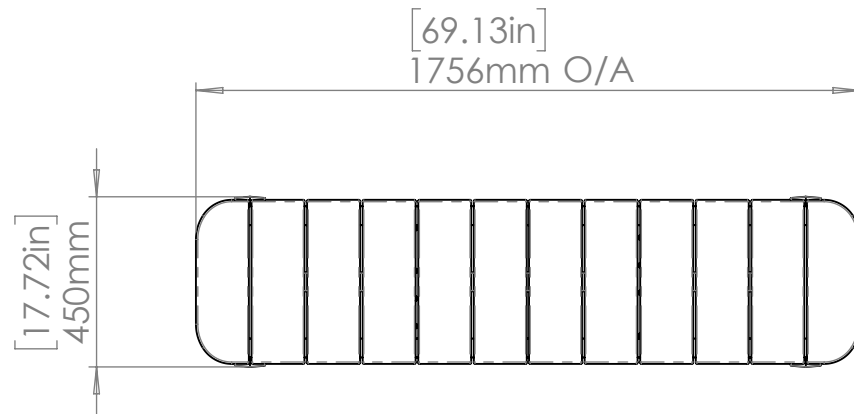
FRONT VIEW

SETBACK

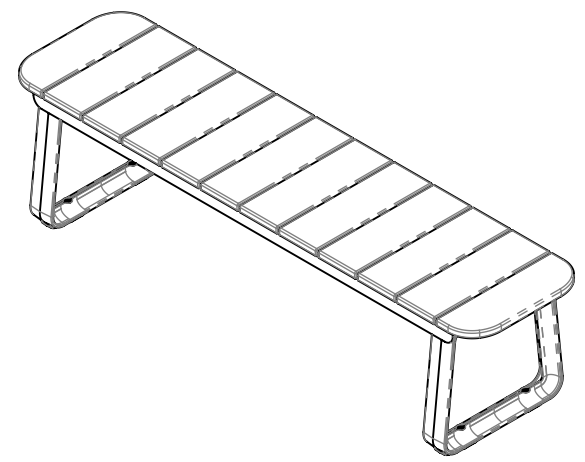


SIDE VIEW

DS - BENCH



TOP VIEW

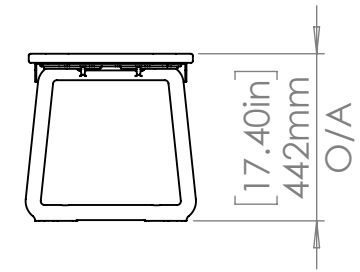


ISOMETRIC VIEW



FRONT VIEW

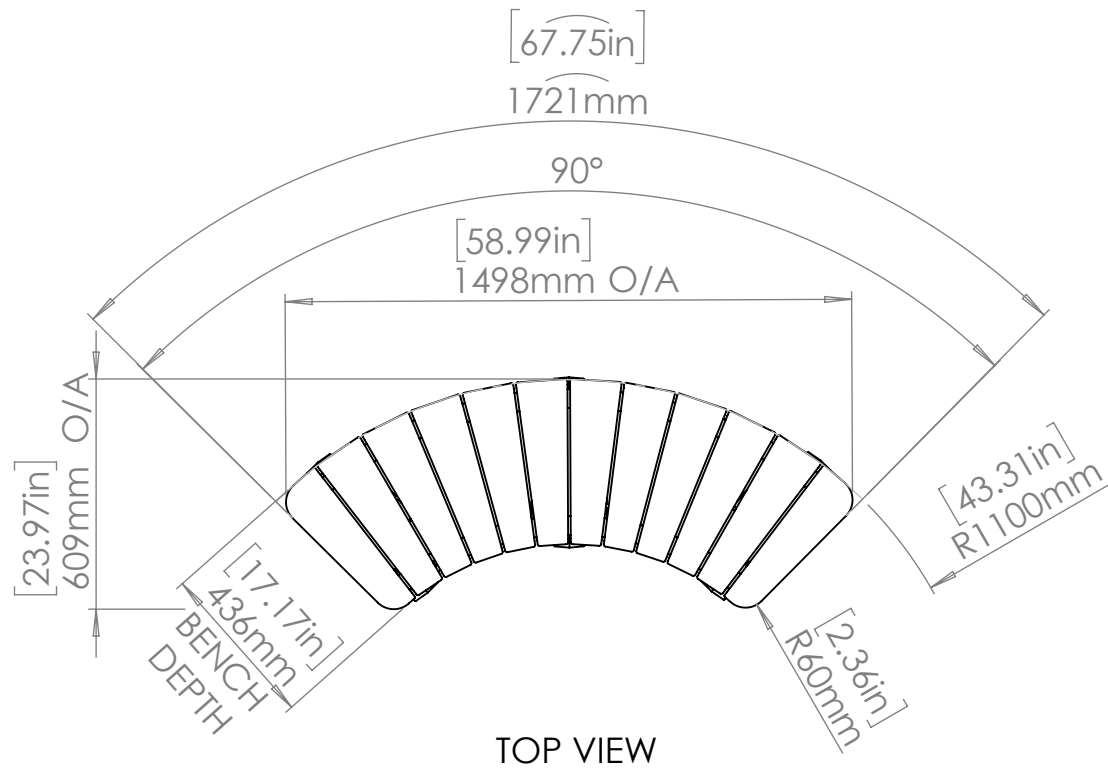
[4.06in]
103mm
SETBACK



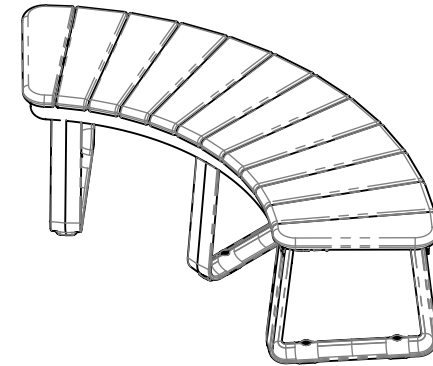
SIDE VIEW

[17.40in]
442mm
O/A

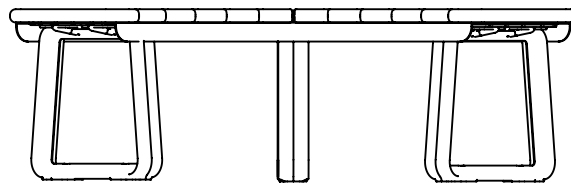
DS - TRANSVERSE BENCH



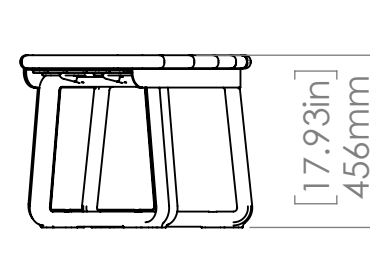
TOP VIEW



ISOMETRIC VIEW

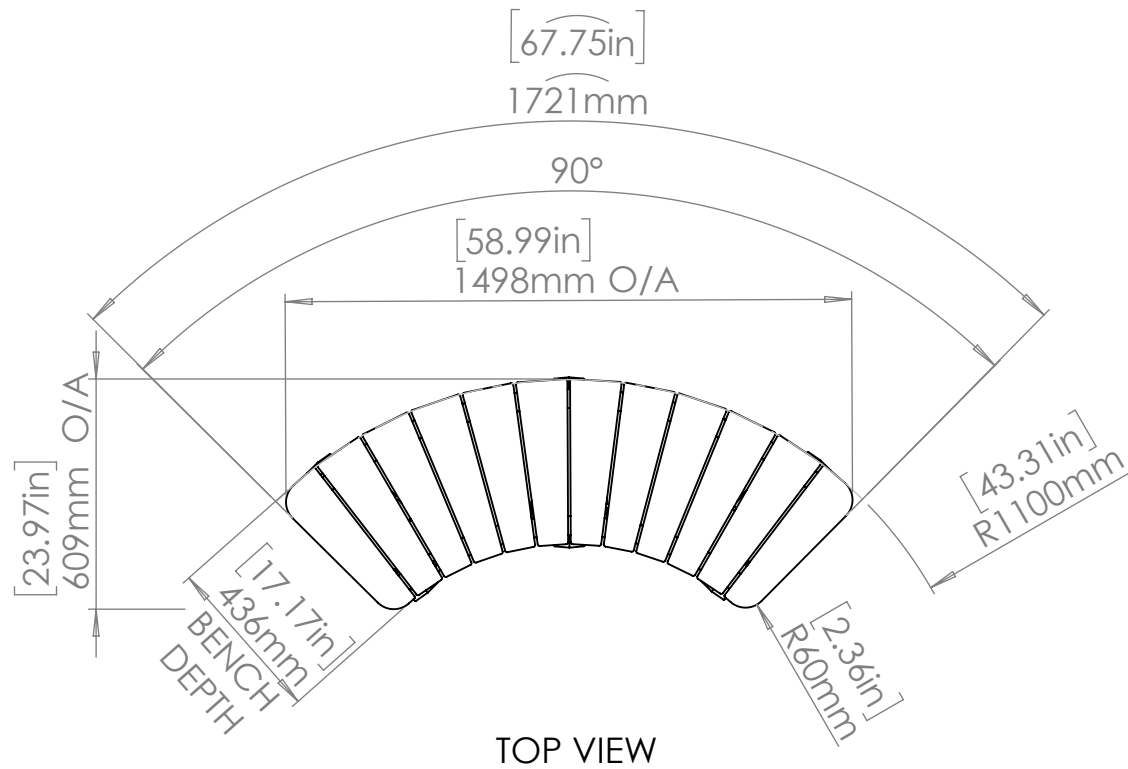


FRONT VIEW

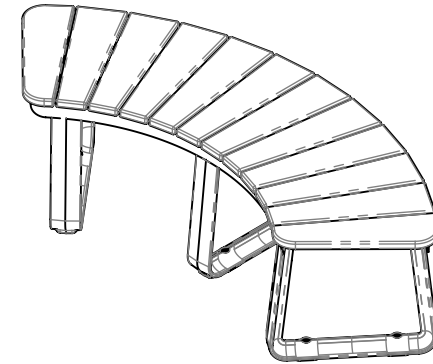


SIDE VIEW

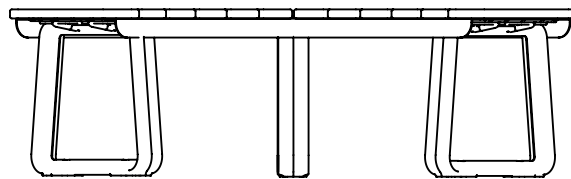
HW - CURVED BENCH



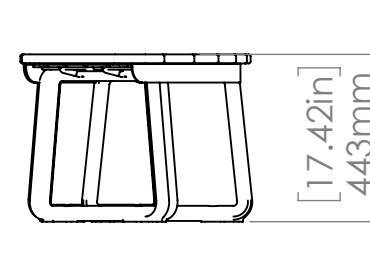
TOP VIEW



ISOMETRIC VIEW



FRONT VIEW



SIDE VIEW

DS - CURVED BENCH