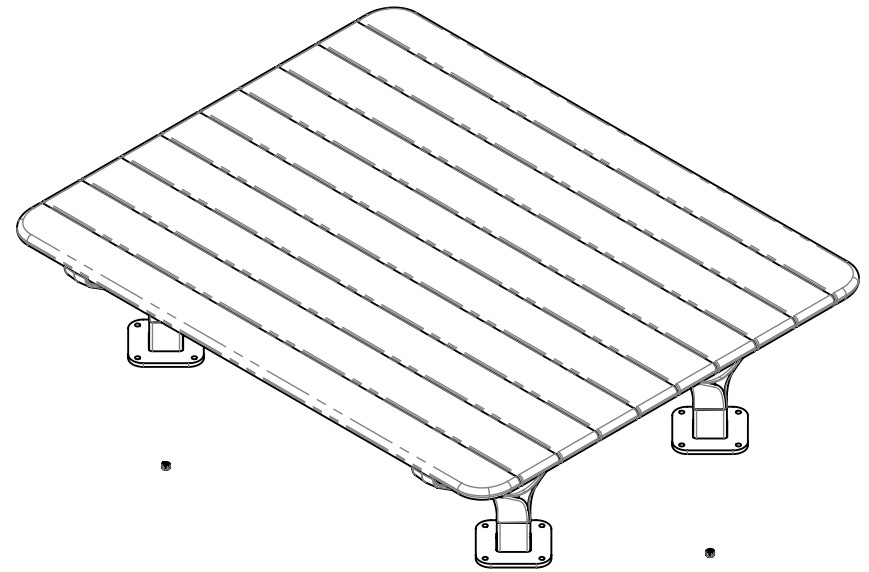
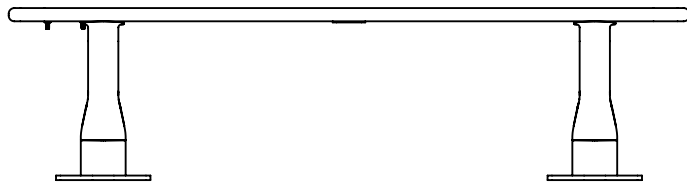


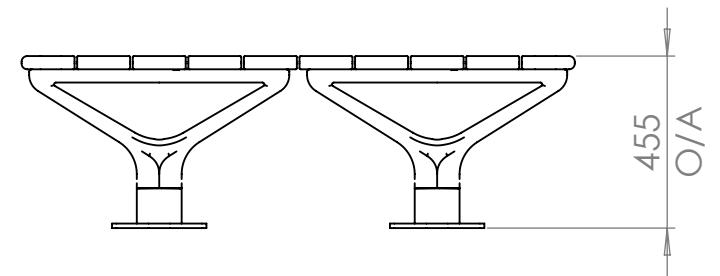
TOP VIEW



ISOMETRIC VIEW

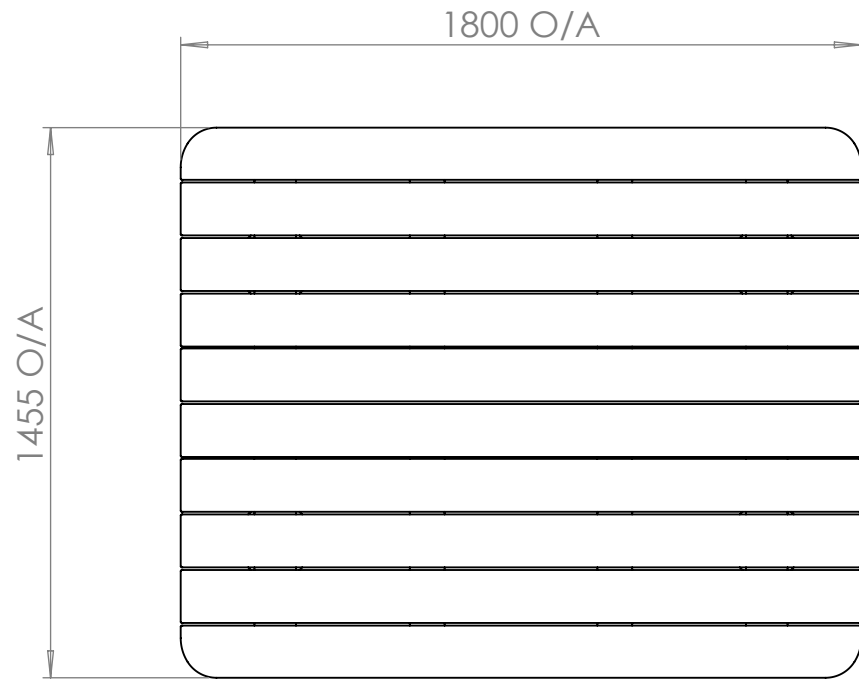


FRONT VIEW

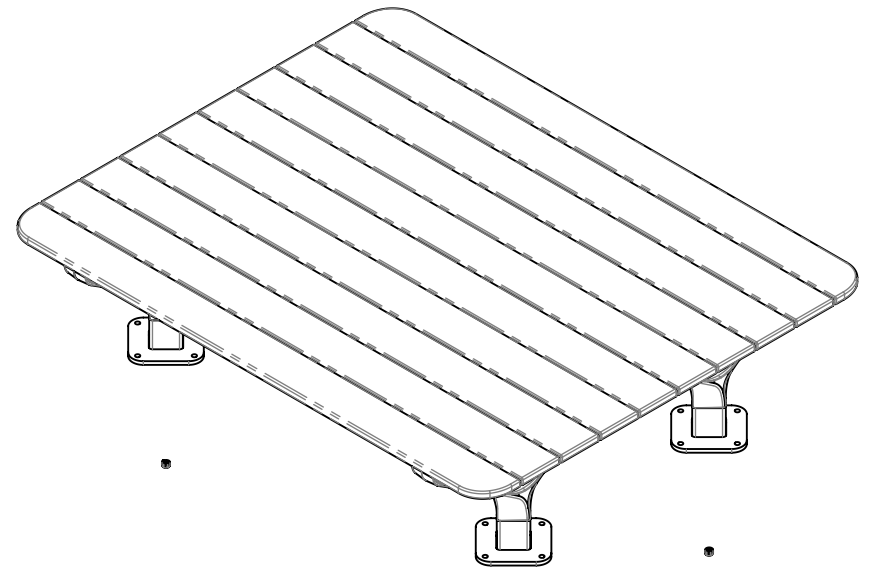


SIDE VIEW

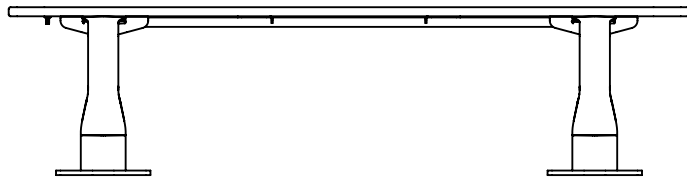
HW - PLATFORM BENCH



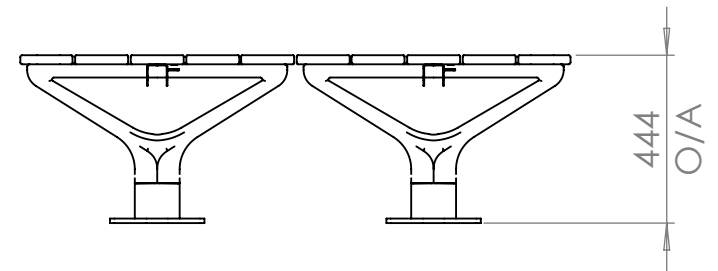
TOP VIEW



ISOMETRIC VIEW



FRONT VIEW



SIDE VIEW

DS - PLATFORM BENCH