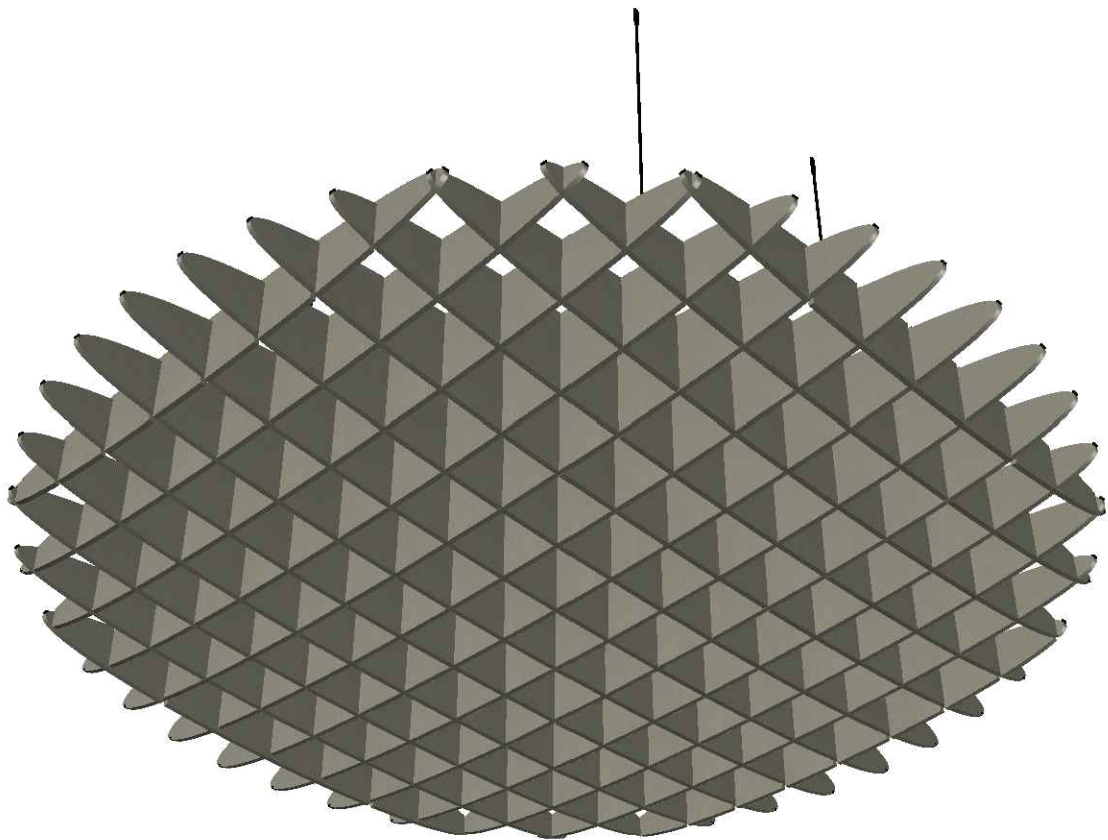
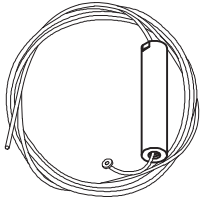


ZINTRA
CLOUD YOOF OE
INSTALLATION INSTRUCTION



PARTS AND HARDWARE

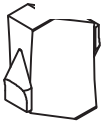
(4) CABLE WITH SWAGE END, AND BARREL



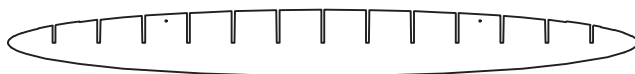
(4) HANGER BOLT



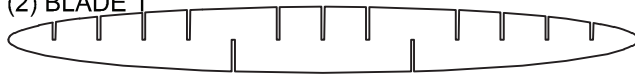
(4) ADJUSTABLE FASTENER



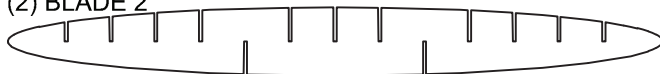
(26) ZINTRA BLADES MARKED 1-14



(2) BLADE 1



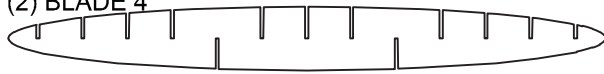
(2) BLADE 2



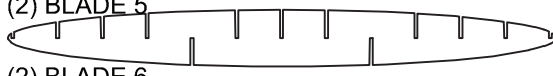
(1) BLADE 3



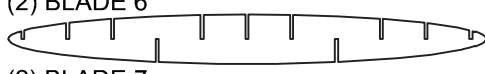
(2) BLADE 4



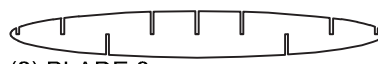
(2) BLADE 5



(2) BLADE 6



(2) BLADE 7



(2) BLADE 8



(1) BLADE 9



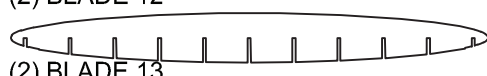
(2) BLADE 10



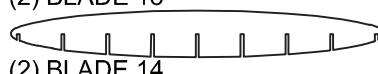
(2) BLADE 11



(2) BLADE 12



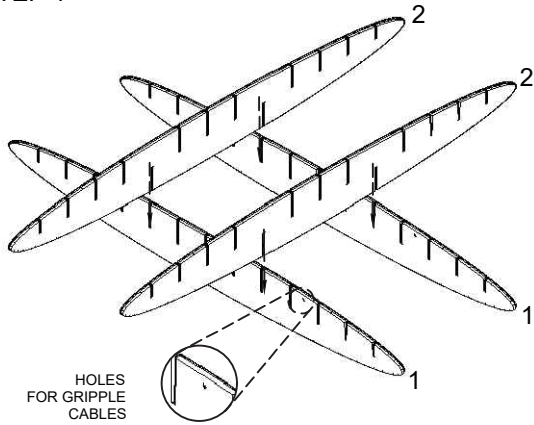
(2) BLADE 13



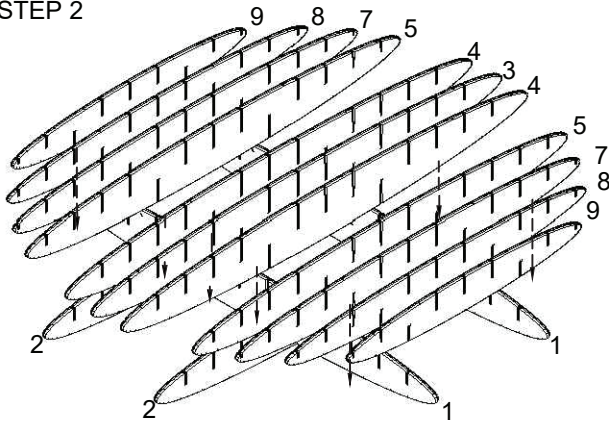
(2) BLADE 14

CLOUD ASSEMBLY

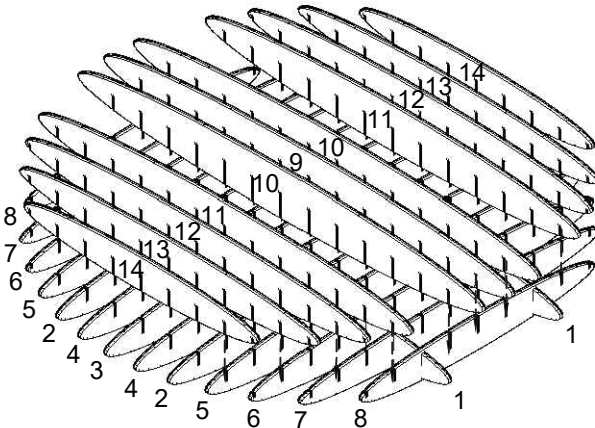
STEP 1



STEP 2

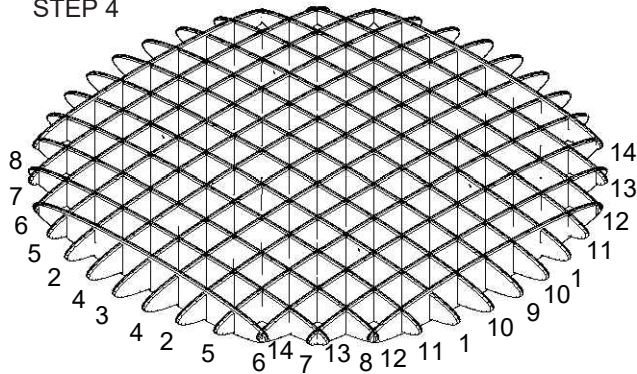


STEP 3



ZINTRA CLOUD YOOF OE INSTALLATION INSTRUCTION

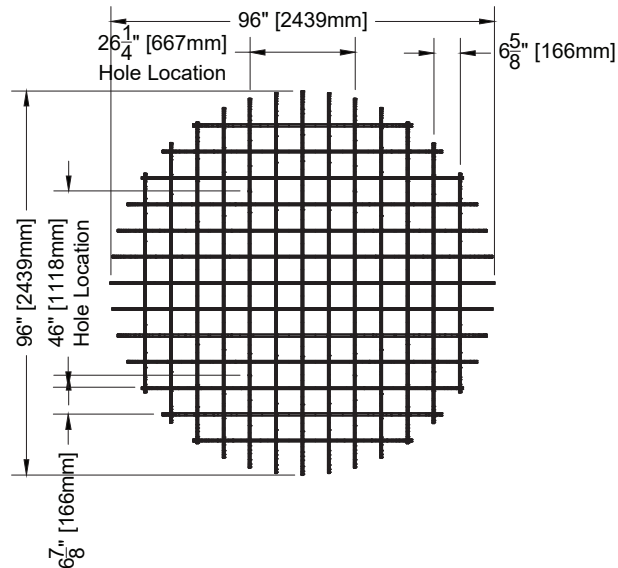
STEP 4



INSTALLATION INSTRUCTIONS

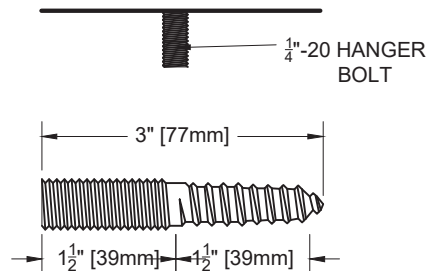
STEP 5

ONCE THE PRE-DRILLED SUSPENSION HOLES HAVE BEEN LOCATED ON THE NOTCHED PROFILE PIECES, TEMPLATE SUSPENSION HOLE LOCATIONS TO CEILING SUBSTRATE.



STEP 6

AFTER IDENTIFYING EACH CORRESPONDING POINT ON THE CEILING SUBSTRATE, DRILL AND ATTACH 1/4"-20 DOUBLE SIDED HANGER BOLT TO SUBSTRATE. REFERENCE DETAIL (SUPPLIED FOR WOOD ANCHORING ONLY). FOR ALL OTHER SUBSTRATES, STUDS/ ANCHORS MUST BE SOURCED BY THE INSTALLER.



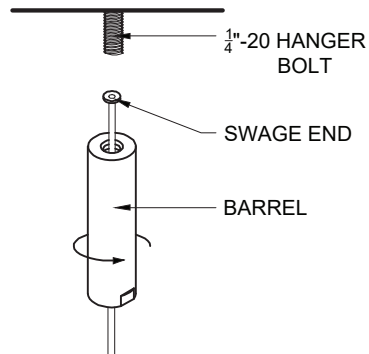
ZINTRA CLOUD YOOF OE INSTALLATION INSTRUCTION

STEP 7

A. IDENTIFY THE THREADED END OF THE BARREL AND THE SWAGE END OF THE WIRE.

B. INSERT THE PLAIN END OF THE SUPPLIED WIRE THROUGH THE LARGE THREADED END OF THE BARREL UNTIL THE SWAGE END IS SEATED IN THE BARREL.

C. ATTACH THE THREADED END OF THE BARREL TO 1 / 4"-20 HANGER BOLT.

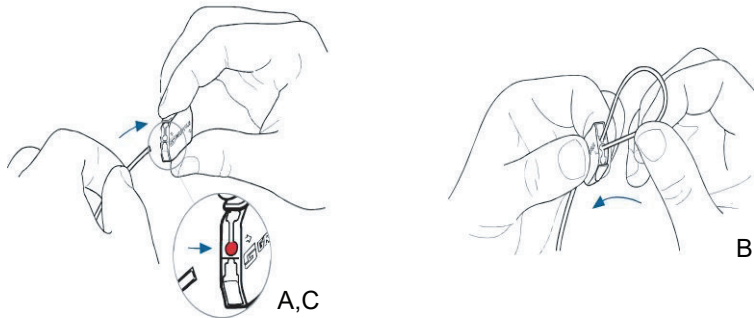


STEP 8

A. INSERT THE PLAIN END OF THE SUPPLIED WIRE THROUGH ONE SIDE OF THE ADJUSTABLE FASTENERS.

B. LOOP THE WIRE THROUGH THE PRE-DRILLED SUSPENSION POINTS FOR FINAL INSTALLATION.

C. RE-INSERT THE PLAIN END OF THE WIRE ONCE LOOPED INTO THE REMAINING SIDE OF THE ADJUSTABLE FASTENER UNTIL SECURE.



STEP 9

ONCE THE CLOUD IS PROPERLY SUSPENDED, TRIM THE EXCESS WIRE (IF NECESSARY) WITH WIRE CUTTERS.

NOTE: WIRE IS INFINITELY ADJUSTABLE BY DEPRESSING TAB ON APPROPRIATE SIDE.

