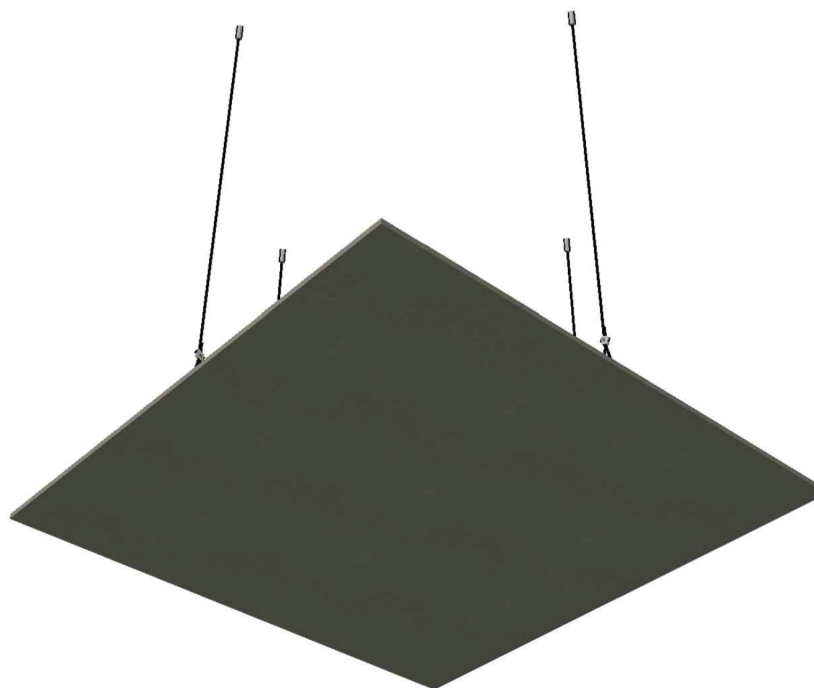


LARGE SHAPES INSTALL GUIDE

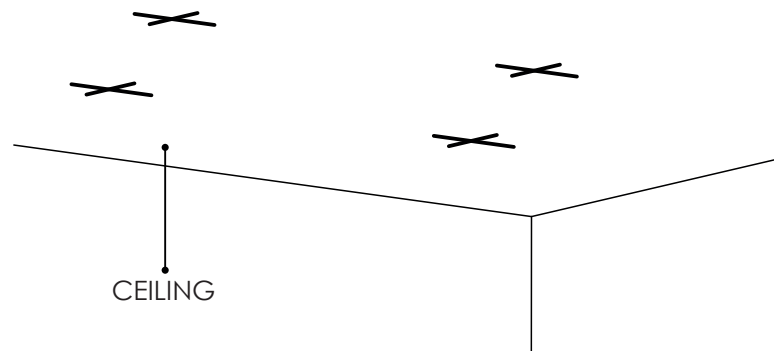


* Design shown for reference only. Specific shape may vary based on the specifications for your project.

LARGE SHAPES ASSEMBLY

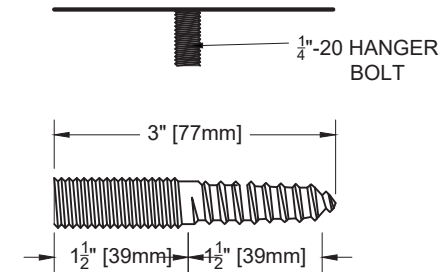
1) Determine the suspension points for the Shape that best suits the site specific installation. It is recommended for systems longer than 48" to have three suspension points on each crossrunner; each end and a mid point. For systems 48" or less in length, two suspension points, one on each end of the crossrunners.

Once the suspension points on the Shape has been selected, identify the corresponding points on the ceiling substrate.

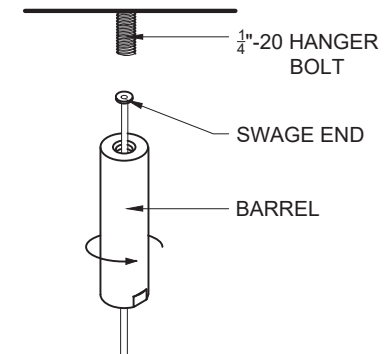


STEP 1

2) Install the 1/4"-20 hanger bolts to the substrate. The supplied hanger bolts are intended for use in wood only. For other substrates the installer will need to source the appropriate hardware.



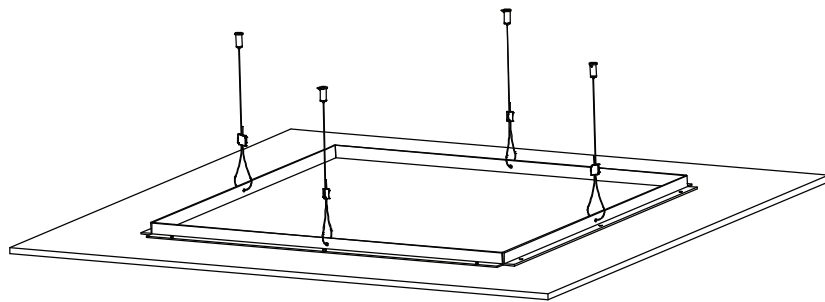
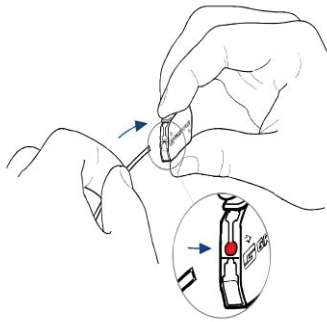
3) Identify the threaded end of the barrel and the swage end of the cable. Insert the plain end of the supplied wire through the large threaded end of the barrel until it is fully seated. Attach the threaded end of the barrel to the 1/4"-20 hanger bolt.



STEP 2 & 3

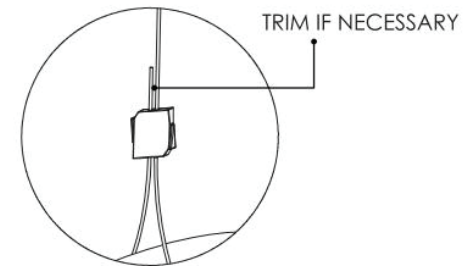
LARGE SHAPES SUSPENSION GUIDE

5) Insert the plain end of the cable through one side of the adjustable fastener. Loop the cable through the pre-installed L angle at the predetermined locations. Re-insert the plain end of the cable through the remaining side of the adjustable fastener.



STEP 4 & 5

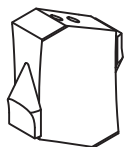
6) Once the Zintra Shapes System is properly suspended, trim the excess cable. The cable is adjustable by depressing the tab on the appropriate side.



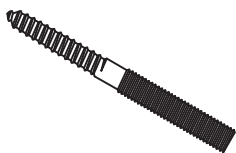
**PLEASE NOTE: ZINTRA SHAPES INSTALLATION
WILL REQUIRE 2 PEOPLE.**

STEP 6

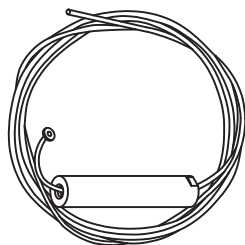
LARGE SHAPES PARTS



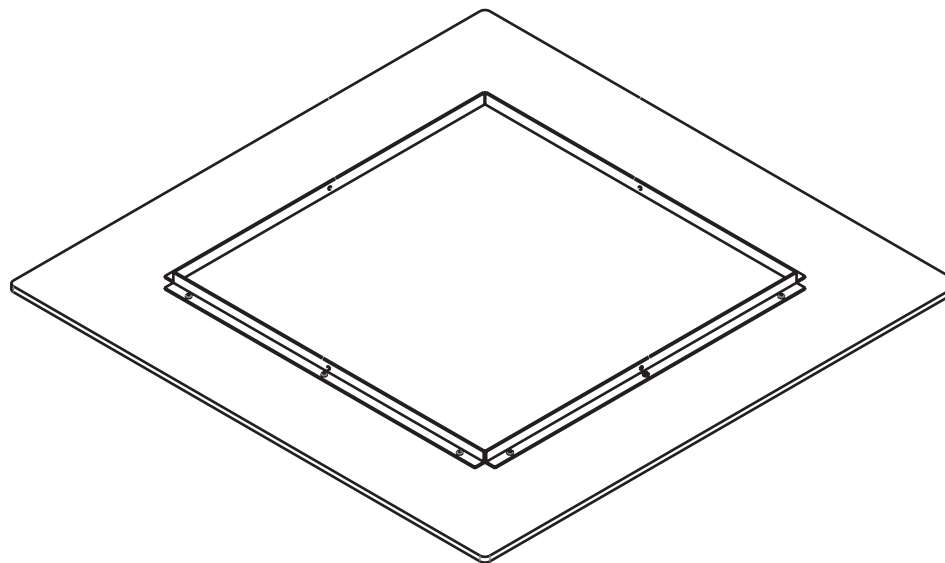
ADJUSTABLE FIXING



HANGER BOLT



**CABLE WITH
BARREL FIXING**



**ZINTRA SHAPE
WITH PRE-INSTALLED
L-ANGLE**

* Design shown for reference only. Specific shape may vary based on the specifications for your project.