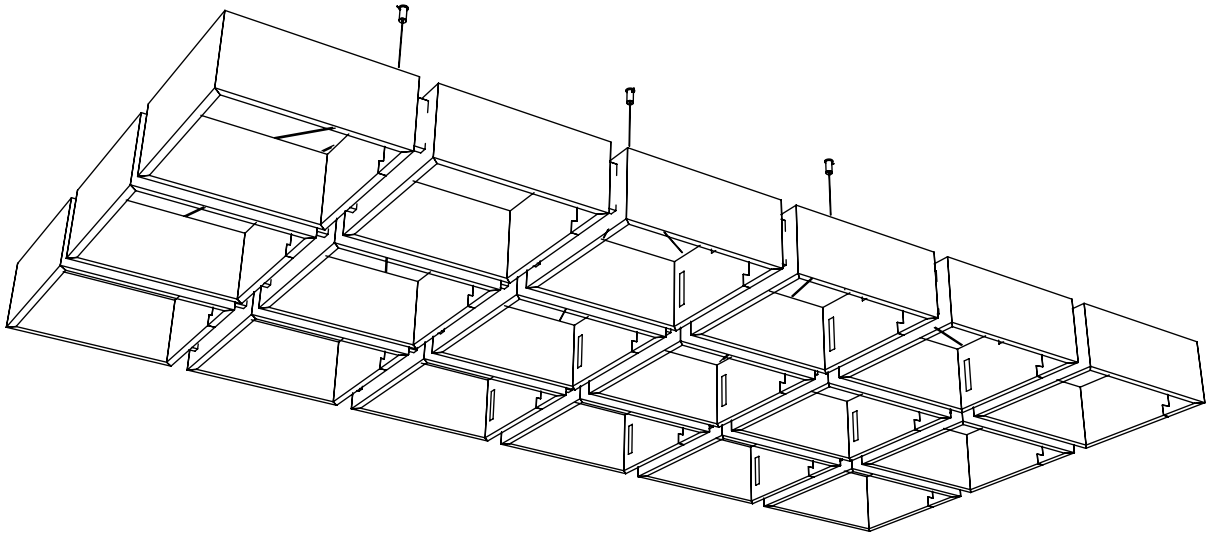


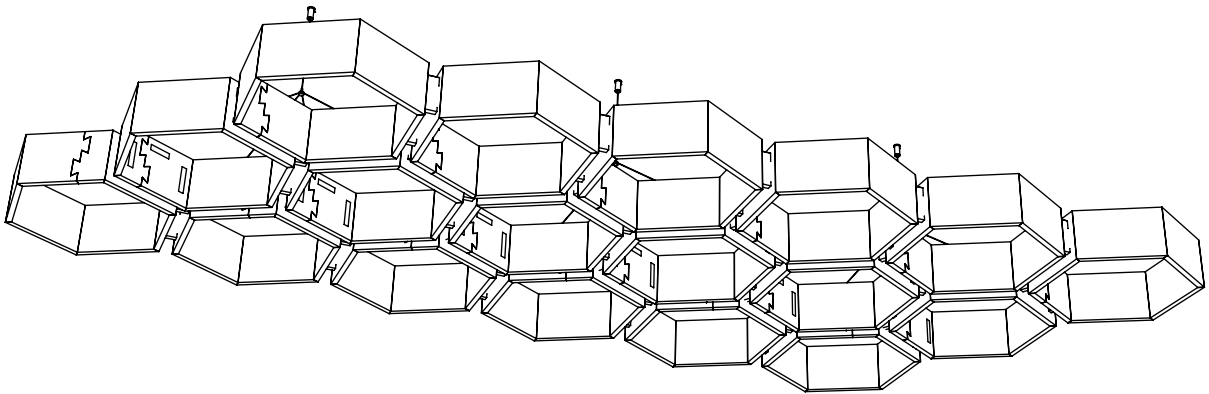
ZINTRA BAFFLES CONNECT

CUBIX, HIVE, PRISMATIC

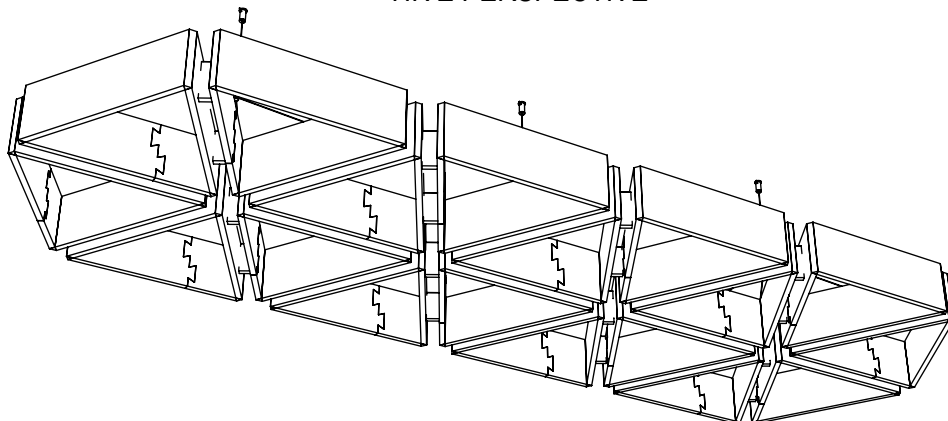
INSTALLATION INSTRUCTIONS



CUBIX PERSPECTIVE



HIVE PERSPECTIVE



PRISMATIC PERSPECTIVE

ZINTRA BAFFLES CONNECT

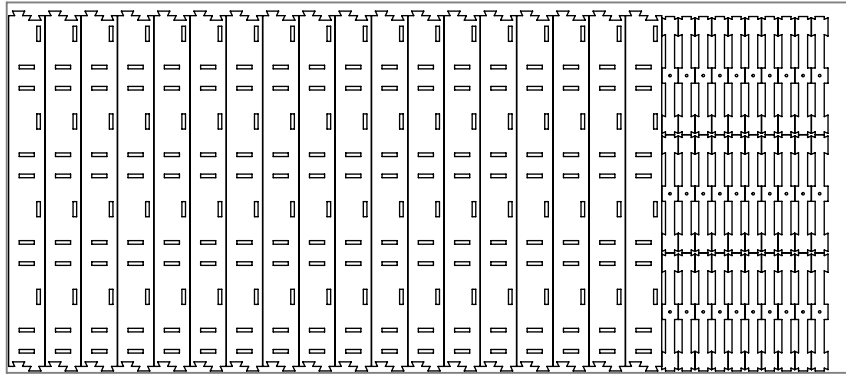
CUBIX, HIVE, PRISMATIC

INSTALLATION INSTRUCTIONS

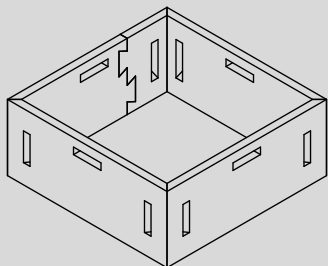
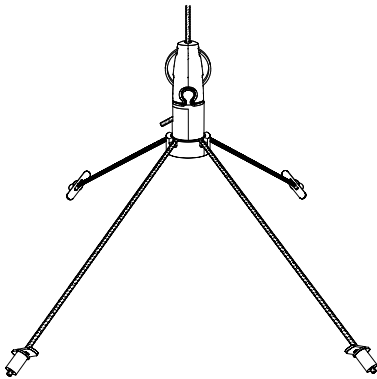
PARTS AND HARDWARE

ZINTRA BAFFLES CONNECT

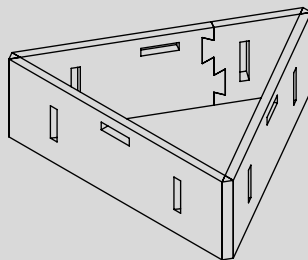
TYPICAL SHOWN: CUBIX FLAT PATTERN SET



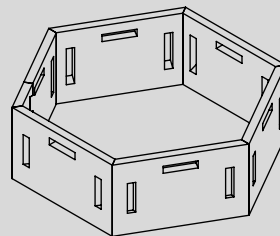
(3) 4-WAY SUSPENSION KIT



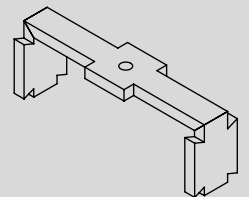
(1) CUBIX ISOMETRIC



(1) PRISMATIC ISOMETRIC



(1) HIVE ISOMETRIC



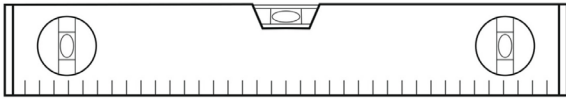
(1) CONNECTOR PIECE

ZINTRA BAFFLES CONNECT

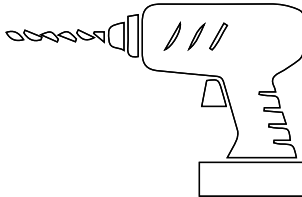
CUBIX, HIVE, PRISMATIC
INSTALLATION INSTRUCTIONS

YOU WILL NEED

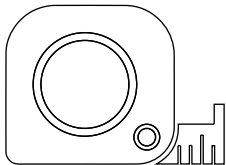
SPIRIT LEVEL



DRILL



TAPE MEASURE



ZINTRA BAFFLES CONNECT

CUBIX, HIVE, PRISMATIC

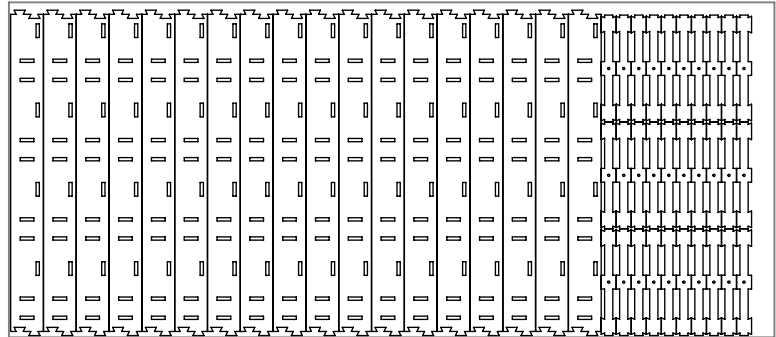
INSTALLATION INSTRUCTIONS

STEP 1

CHECK TO SEE IF PACKAGE CONTAINS ALL COMPONENTS. EACH PACKAGE WILL CONTAIN 18 CONNECTS (ACROSS ALL DESIGNS).

IT WILL ALSO COME WITH CONNECTORS FOR COMPLETING THE ASSEMBLY

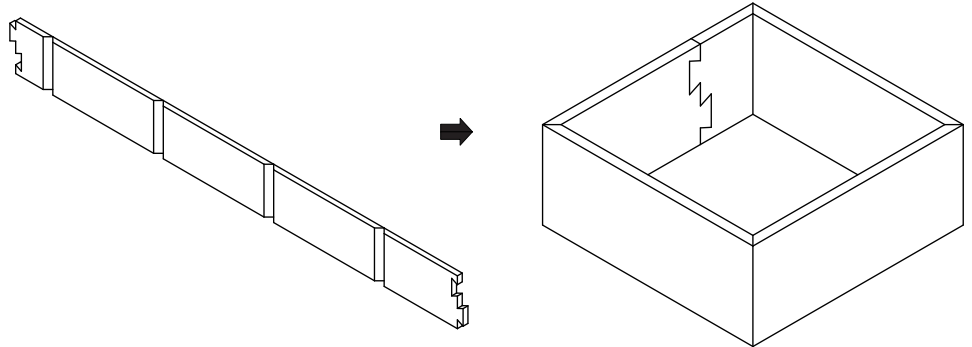
AND (1) OF EACH: HANGER BOLT, ADJUSTABLE FASTENER, CABLE WITH SWAGE END AND BARREL.



TYPICAL SHOWN: CUBIX

STEP 2

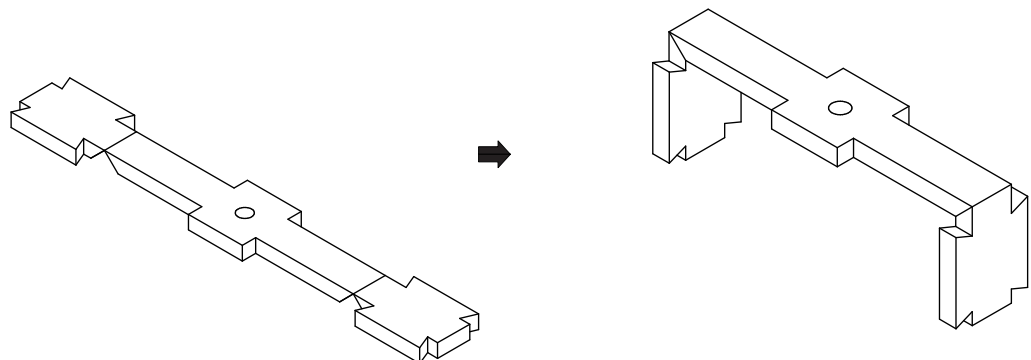
FOLD BAFFLE CONNECTS. MAKE SURE THEY INTERLOCK VIA THE DOVE TAIL JOINT.



TYPICAL SHOWN: CUBIX

STEP 3

FOLD BAFFLE CONNECTOR PIECES.



ZINTRA BAFFLES CONNECT

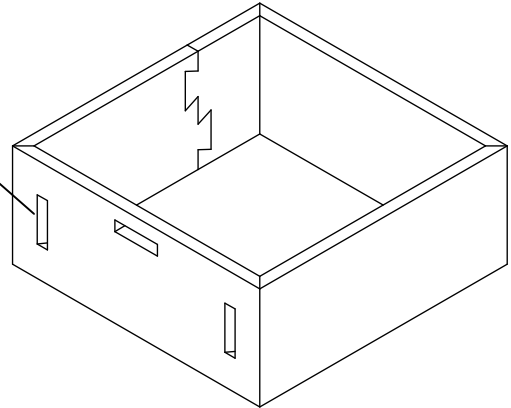
CUBIX, HIVE, PRISMATIC

INSTALLATION INSTRUCTIONS

STEP 4

PUSH OUT SLOTS FOR THE CONNECTOR PIECE TO BE PUT INTO.

CONNECTOR SLOTS

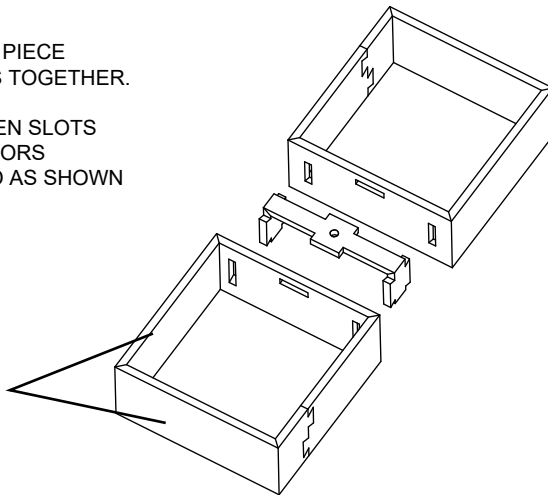


STEP 5

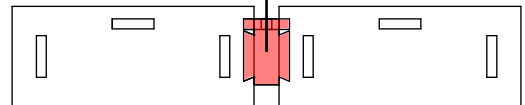
USE THE CONNECTOR PIECE TO CONNECT BAFFLES TOGETHER.

IMPORTANT: ONLY OPEN SLOTS WHERE THE CONNECTORS WILL BE WEDGED INTO AS SHOWN IN THE DIAGRAM.

NO OPEN SLOTS



CONNECTOR PIECE BETWEEN 2 BAFFLES CONNECT



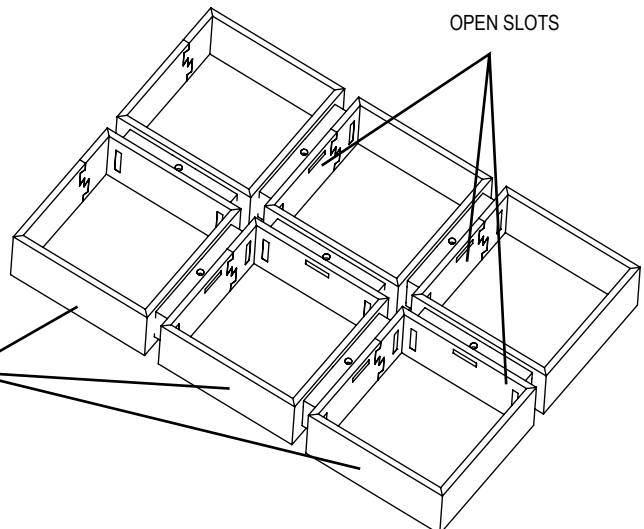
FRONT VIEW

STEP 6

CONTINUE TO CONNECT BAFFLES TOGETHER USING THE SAME PROCEDURE AS STEP 5, KEEPING IN MIND TO ONLY OPEN THE SLOTS THAT ARE BEING ALLOCATED AS A CONNECTION POINT (USE DIAGRAM AS REFERENCE).

NO OPEN SLOTS

OPEN SLOTS



ZINTRA BAFFLES CONNECT

CUBIX, HIVE, PRISMATIC

INSTALLATION INSTRUCTIONS

STEP 7

AFTER CONNECTING ALL THE BAFFLES TOGETHER, MARK OUT A.S.K LOCATIONS THE ASSEMBLY WILL SUSPEND FROM. DIMENSIONS OF THESE POINTS ARE GIVEN FOR EACH DESIGN IN THE DIAGRAM.

RED CIRCLES = LOCATIONS FOR WIRE TO GO THROUGH
BLUE CIRCLES = MID POINT FOR 4-WAY A.S.K

PUSH OUT THE HOLES ON THE TOP OF THE CONNECTORS OF THESE GIVEN LOCATIONS.

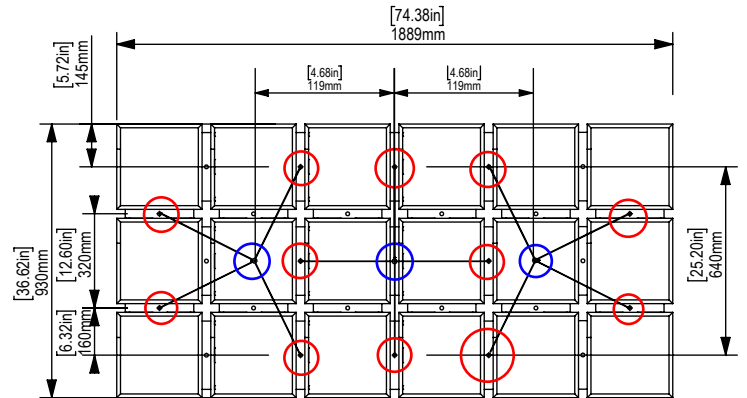
NOTE: THESE POINTS ARE THE MOST IDEAL FOR KEEPING THE ASSEMBLY LEVEL.

Shown to the right are recommended hanging arrangements. If project requires a custom hanging arrangement please follow these guidelines

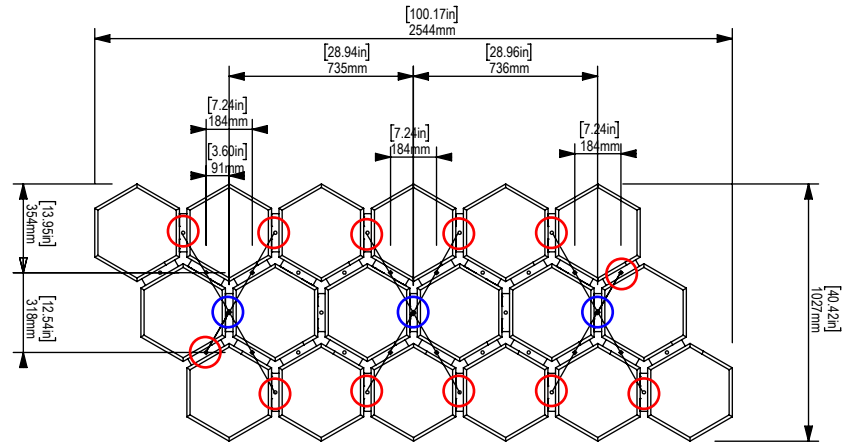
Hanging Tips & Guidelines

1. Ensure each shape is supported by a cable on at least one side
2. It is the responsibility of the installer to ensure the arrangement is sufficiently supported.
3. Extra cables are available to purchase if required.
4. Fishing line can be used to support any area's that may sag due to custom arrangements.

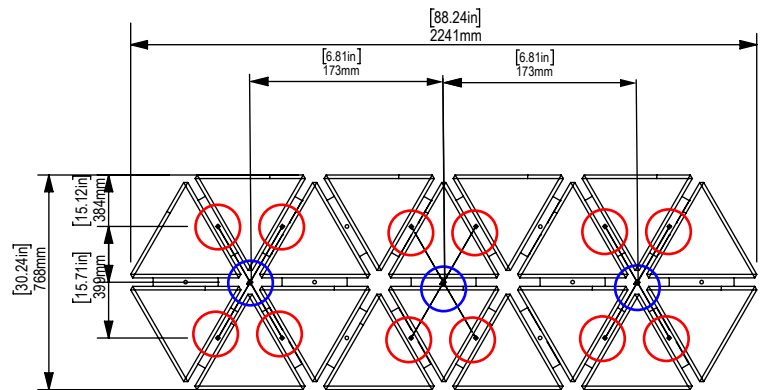
CUBIX



HIVE



PRISMATIC



RECOMMENDED HANGING ARRANGEMENTS

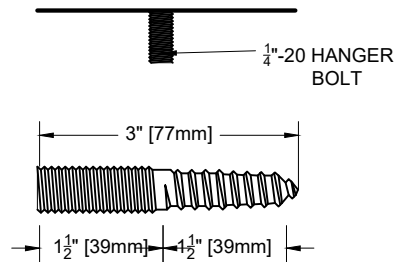
ZINTRA BAFFLES CONNECT

CUBIX, HIVE, PRISMATIC

INSTALLATION INSTRUCTIONS

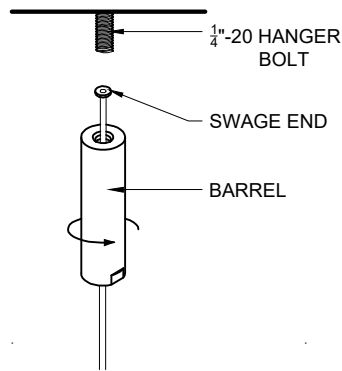
STEP 8

AFTER IDENTIFYING EACH CORRESPONDING POINT ON THE CEILING SUBSTRATE, TO THE POINTS MARKED ON STEP 7, DRILL AND ATTACH 1/4"-20 DOUBLE SIDED HANGER BOLT TO SUBSTRATE. REFERENCE DETAIL (SUPPLIED FOR WOOD ANCHORING ONLY). FOR ALL OTHER SUBSTRATES, STUDS/ ANCHORS MUST BE SOURCED BY THE INSTALLER.



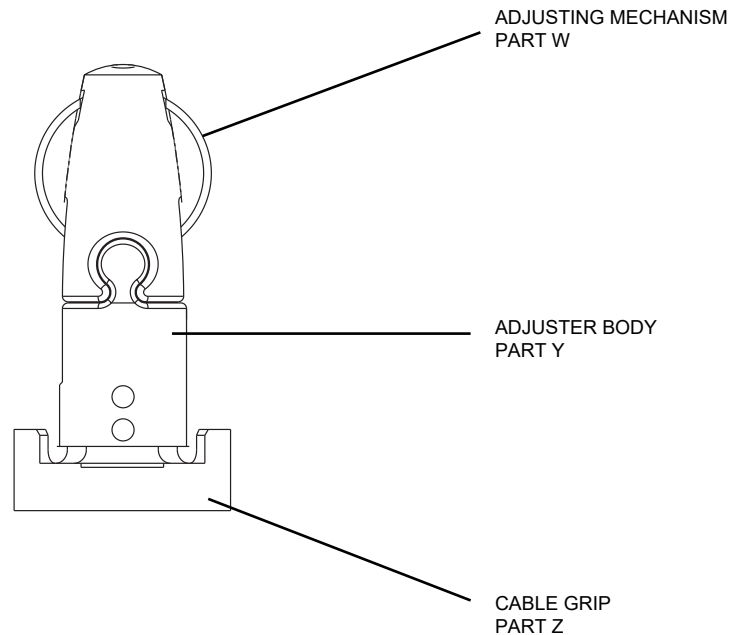
STEP 9

- A. IDENTIFY THE THREADED END OF THE BARREL AND THE SWAGE END OF THE WIRE.
- B. INSERT THE PLAIN END OF THE SUPPLIED WIRE THROUGH THE LARGE THREADED END OF THE BARREL UNTIL THE SWAGE END IS SEATED IN THE BARREL.
- C. ATTACH THE THREADED END OF THE BARREL TO 1 / 4"-20 HANGER BOLT.



STEP 10

MAKE SURE YOU HAVE THE 3 MAIN COMPONENTS AS SHOWN IN THE DIAGRAM. THE INSTALL GUIDE WILL REFER TO THE PARTS AS FOLLOWS.



ZINTRA BAFFLES CONNECT

CUBIX, HIVE, PRISMATIC

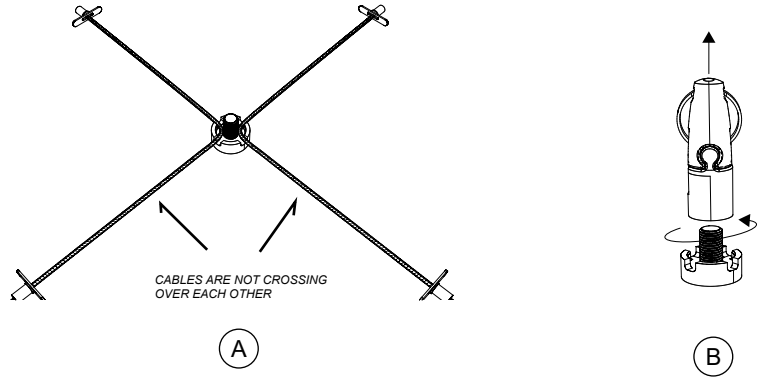
INSTALLATION INSTRUCTIONS

STEP 11

FIT TOGGLE CABLES INTO THE CABLE GRIP (PART Z) AS SHOWN. CABLES SHOULD NOT CROSS OVER EACH OTHER.

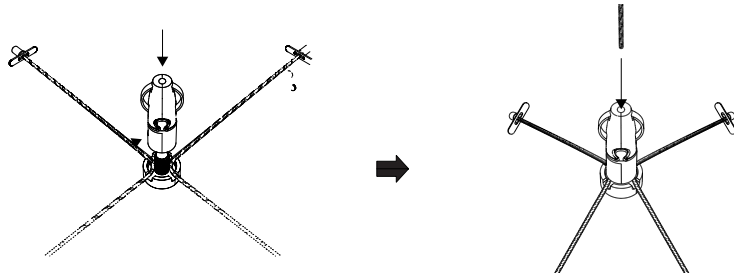
MAKE SURE THEY ARE APART AS SHOWN IN A.

NEXT, SCREW THE CABLE GRIP INTO THE ADJUSTER BODY (PART Y). DO NOT FULLY TIGHTEN YET SHOWN IN B.



STEP 12

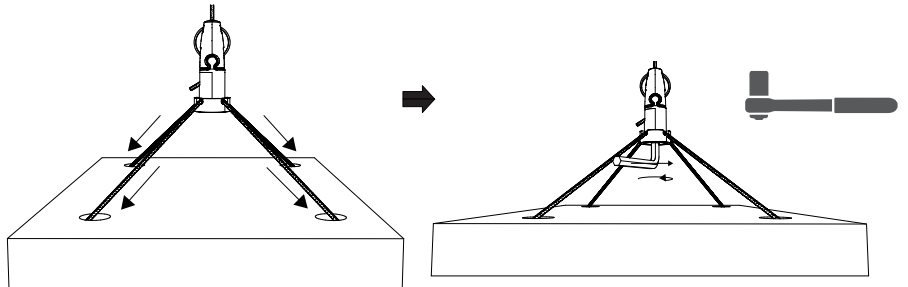
PUSH THE SUSPENSION CABLE INTO THE TOP OF THE ADJUSTER BODY (PART Y). SQUEEZE THE ADJUSTER MECHANISM (PART X) TO ALLOW THE CABLE TO COME THROUGH.



STEP 13

PUSH THE TOGGLE ENDS INTO THE HOLES SHOWN IN RED IN STEP 7 AND PULL BACK TO ENGAGE TOGGLE. ENSURE CORRECT ARRANGEMENT AS PER CHOSEN DESIGN.

ADJUST THE LENGTH OF THE CABLES BY PULLING THROUGH THE CABLE GRIP AND TIGHTEN CABLE GRIP.



STEP 14

LEVEL THE CONNECT SYSTEM BY PULLING THE SUSPENSION CABLE THROUGH THE ADJUSTER BODY TO ENSURE IT IS LEVEL WITH THE CORRESPONDING CONNECT SETS.

THIS CAN BE DONE BY PINCHING THE ADJUSTER MECHANISM SHOWN IN DETAIL X. (PINCH TO LOOSEN, RELEASE TO LOCK)

