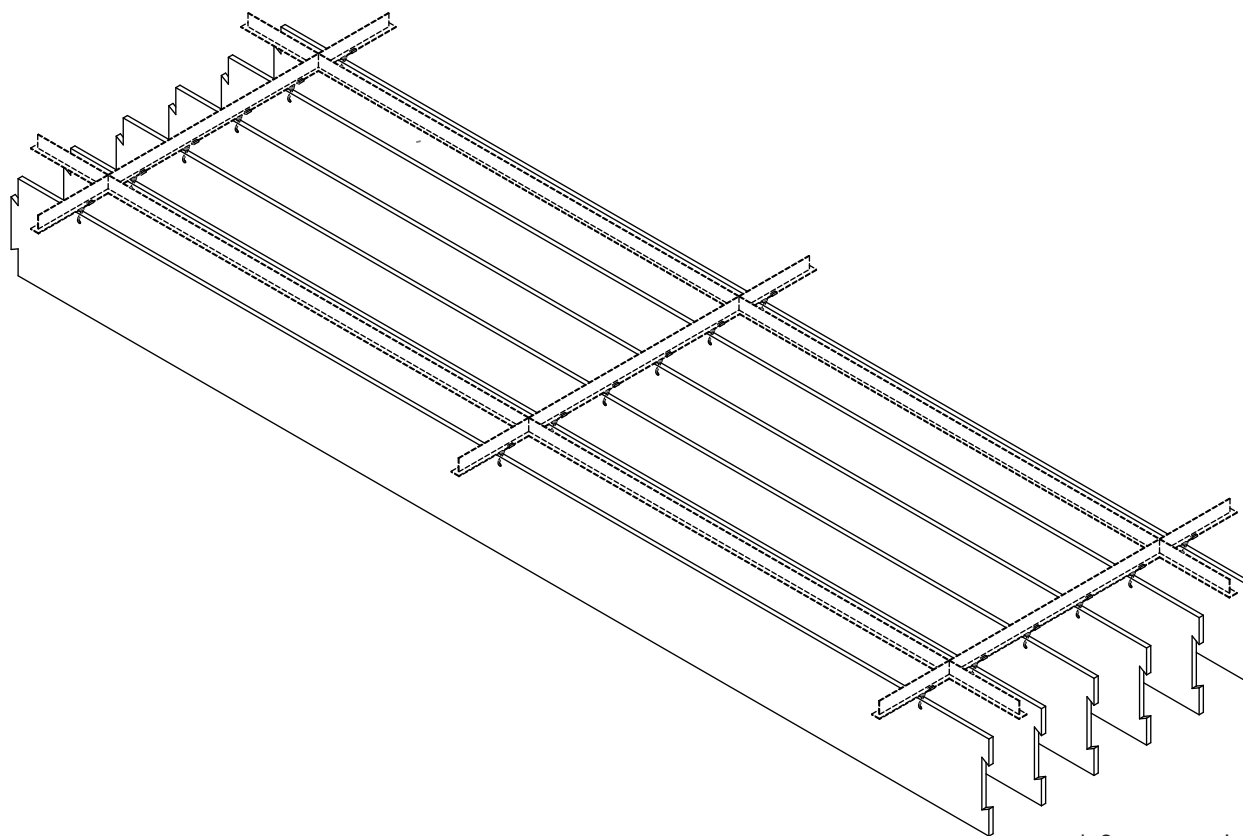




ZINTRA HOOK BAFFLE INSTALL GUIDE



* Suspended ceiling grid not included

ZINTRA HOOK BAFFLE

MAKE SITE READY

Tips for Installation:

1. If fitting to existing grid, make sure it is level and straight. Adjust as required.
2. Plan your fitout to minimise custom measurements. This will make drilling easier
3. We would recommend a rendered print out of the layout to aid install

You Will Need:

1. Measuring tape
2. Ladder (or scaffolding for large ceilings)
3. Pencil
4. Wide field laser
5. Drill and 6mm drill bit
6. Adjustable angle or straight edge
7. Utility Knife

ZINTRA HOOK BAFFLE

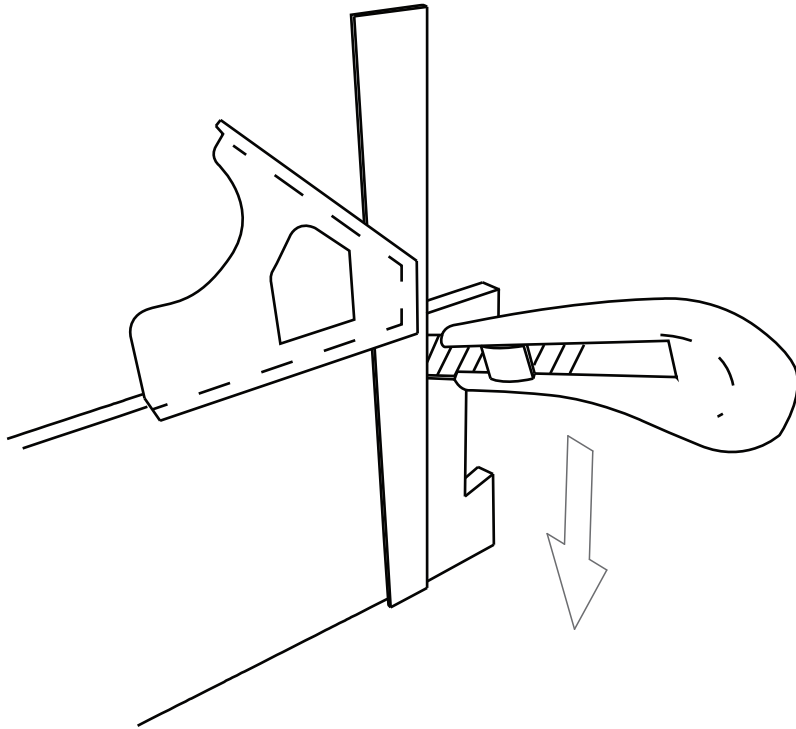
INSTALL GUIDE

ZINTRA HOOK BAFFLE

INSTALL METHOD

STEP 1

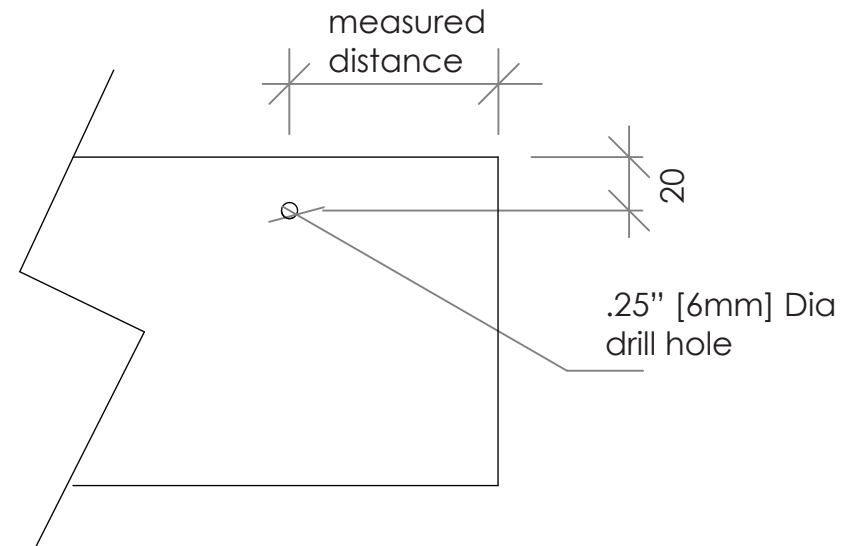
1) Trim Dovetail detail off Start blades (blades that will butt up against a wall or begin the row). Use a straight edge and utility knife to cut zintra.



STEP 2

2) Measure spacing between wall and first grid member. Mark on start blades. We would recommend leaving a 5-10mm express gap between blades and wall to minimise the impact for any bowing in the wall.

Drill .25" [6mm] hole, 1.2" [20mm] below top baffle edge and measured distance from trimmed end.



ZINTRA HOOK BAFFLE

INSTALL GUIDE

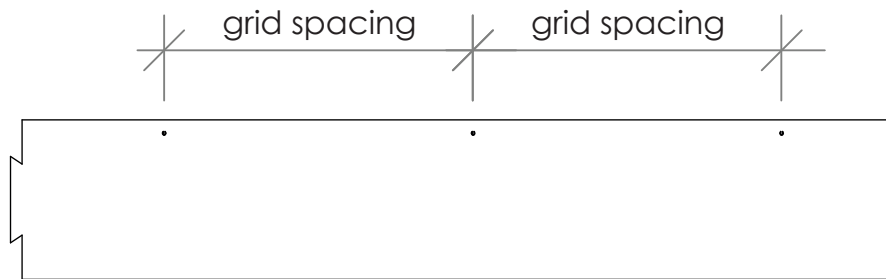
ZINTRA HOOK BAFFLE

INSTALL METHOD

STEP 3

3) Measure grid member spacing, mark drill holes on blades and drill .25" [6mm] holes as per Step 2.

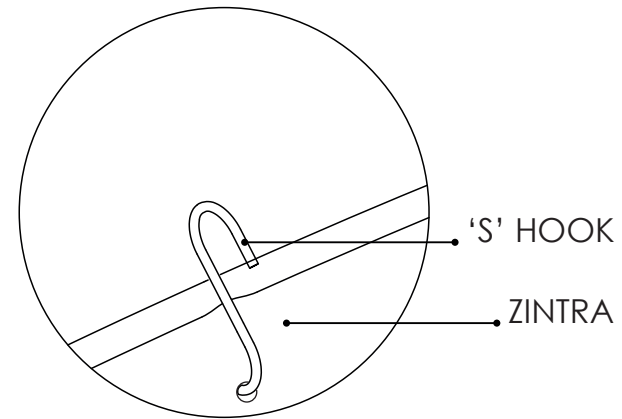
Note: Maximum distance between fixings is to be 47.25" [1200mm]



STEP 4

4) Fit S-Hooks into drilled holes. Hooks should be a tight fit in order to make hanging easier.

Note: Large loop of S-Hook to go through zintra. Small loop on top



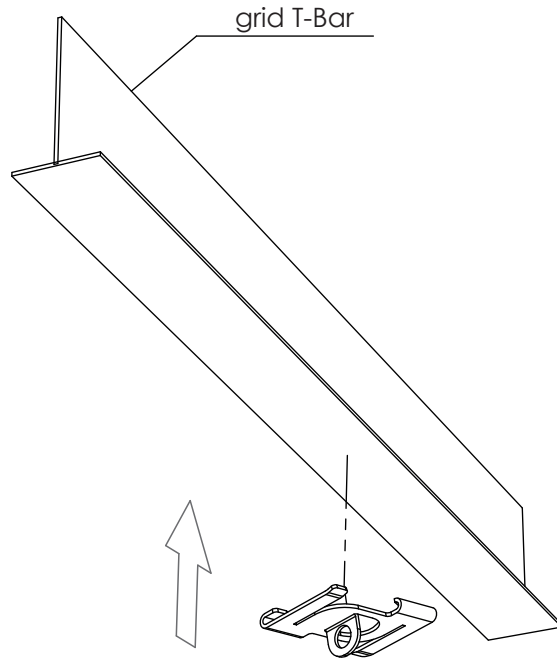
ZINTRA HOOK BAFFLE

INSTALL GUIDE

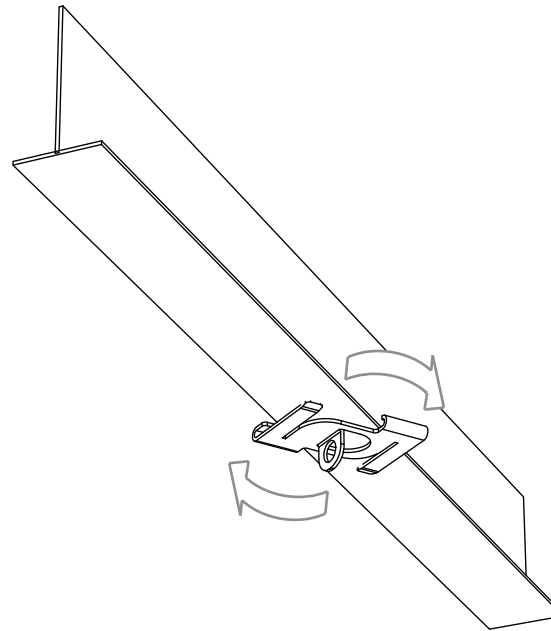
ZINTRA HOOK BAFFLE INSTALL METHOD

STEP 5

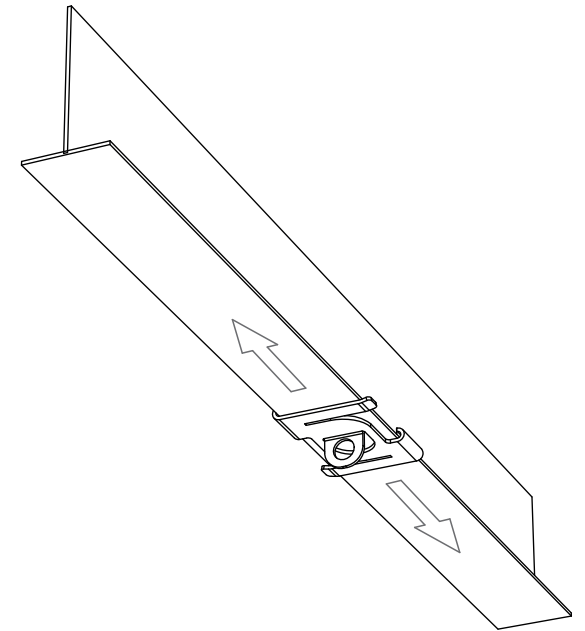
5) Fit Grid Clips to ceiling grid as per below.



a) Push clip against grid



b) Rotate until parallel to grid.

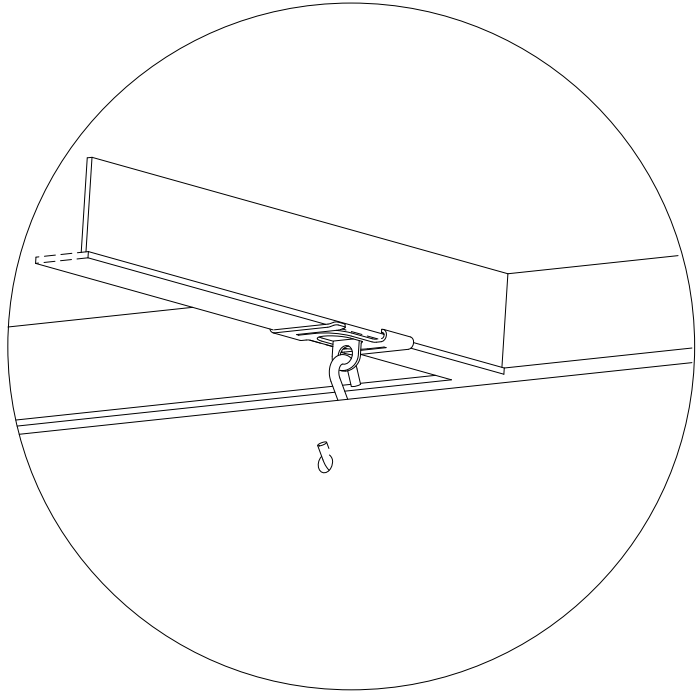


c) Locate clip by sliding into place

ZINTRA HOOK BAFFLE INSTALL METHOD

STEP 6

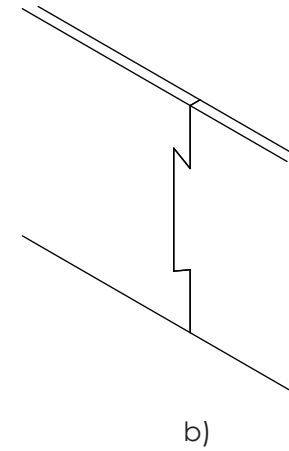
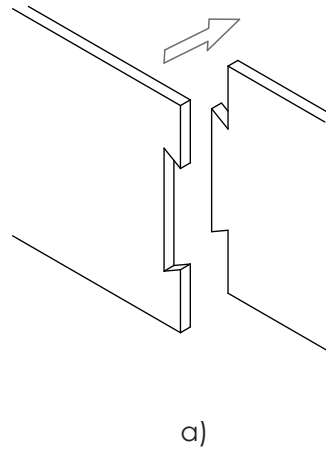
6) Hang Baffles by looping S-hooks through grid clip holes



STEP 7

7) Repeat steps 3 to 6 to cover space. Be sure to locate and fit dovetail joints as required.

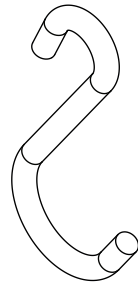
Trim final baffle (at terminating wall or end of assembly) as per step 1.



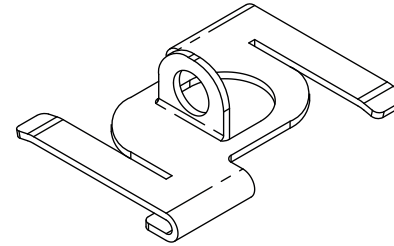
ZINTRA HOOK BAFFLE
PARTS (per hook baffle)



ZINTRA HOOK BAFFLE PROFILE

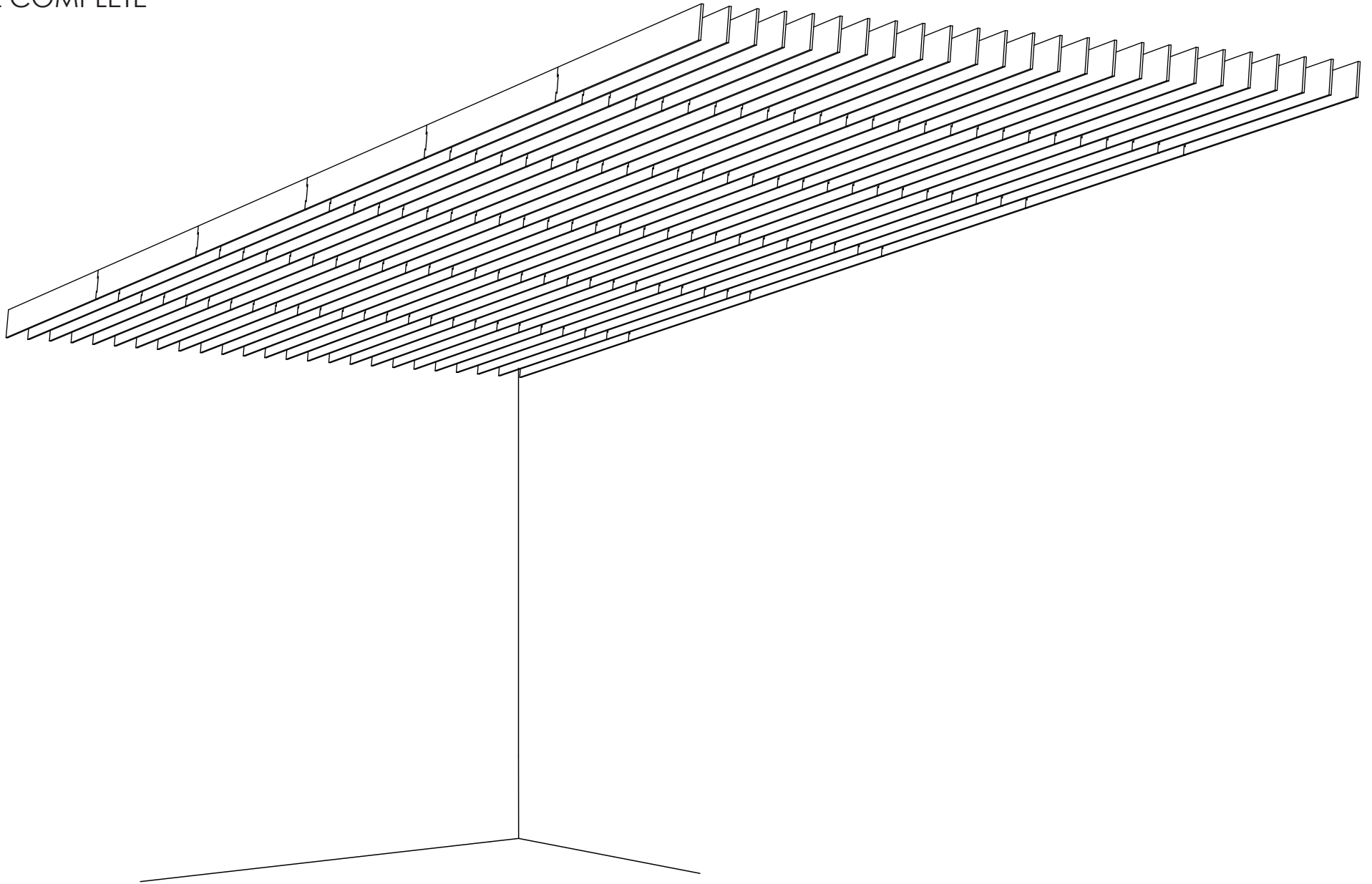


S-HOOK



T-BAR GRID CLIP

ZINTRA HOOK BAFFLE
INSTALL COMPLETE



ZINTRA HOOK BAFFLE
INSTALL GUIDE