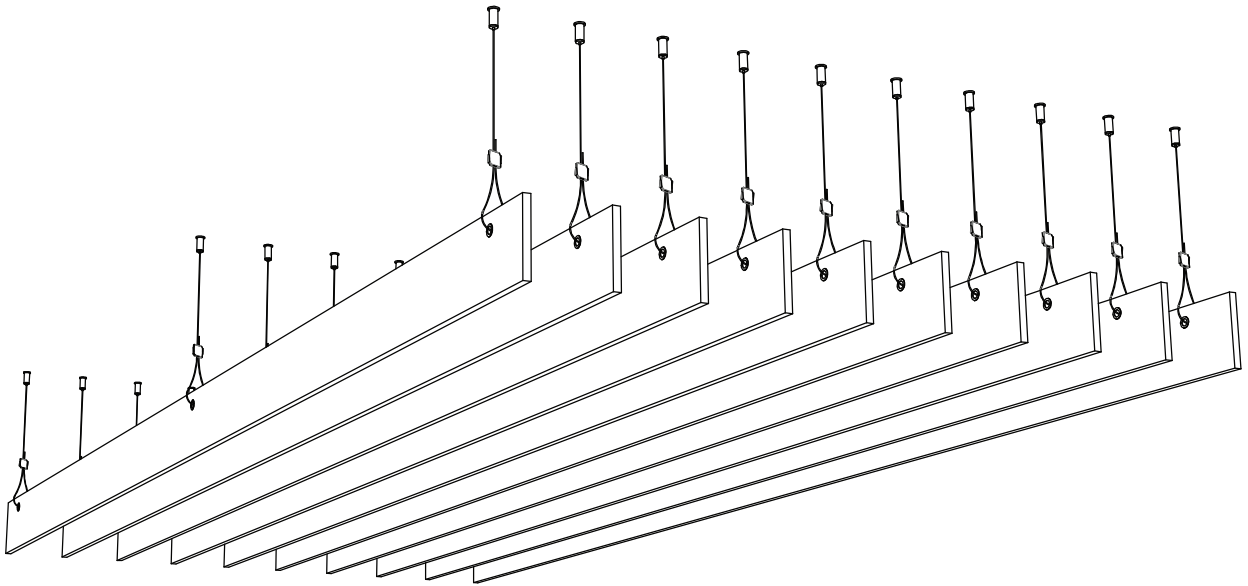


ZINTRA

INDIVIDUAL GROMMET BAFFLE

INSTALLATION INSTRUCTIONS





ZINTRA

INDIVIDUAL GROMMET BAFFLE

INSTALLATION INSTRUCTIONS

PARTS AND HARDWARE

(3) CABLES WITH SWAGED END, AND BARREL (PER BAFFLE)



(3) 1/4" - 20 HANGER BOLT (PER BAFFLE) (FOR USE WITH WOOD SUBSTRATE ONLY)



(3) ADJUSTABLE FASTENER (PER BAFFLE)



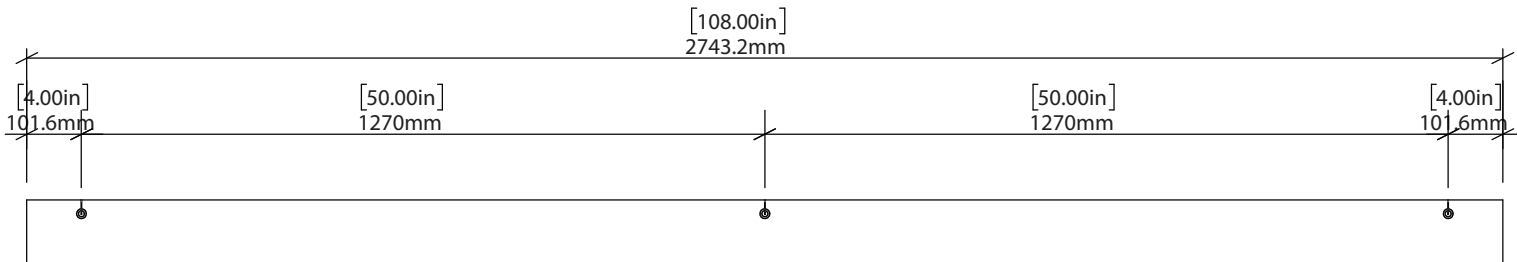
(QTY AS PER ORDER) ZINTRA BAFFLE WITH GROMMETS FITTED

INSTALLATION INSTRUCTIONS

STEP 1

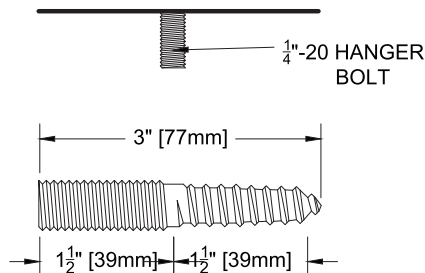
MARK HANGER LOCATION ON CEILING CORRESPONDING TO GROMMET SPACING ON BAFFLE. REFER TO WORKSHOP DRAWING FOR CORRECT BAFFLE SPACING. CONFIRM GROMMET SPACING ON SUPPLIED PRODUCT ALSO. CABLES MUST HANG PLUMB AND PERPENDICULAR TO THE BAFFLE

typical spacing



STEP 2

AFTER IDENTIFYING EACH CORRESPONDING POINT ON THE CEILING SUBSTRATE, TO THE POINTS MARKED ON STEP 4, DRILL AND ATTACH 1/4"-20 DOUBLE SIDED HANGER BOLT TO SUBSTRATE. REFERENCE DETAIL (SUPPLIED FOR WOOD ANCHORING ONLY). FOR ALL OTHER SUBSTRATES, STUDS/ ANCHORS MUST BE SOURCED BY THE INSTALLER.

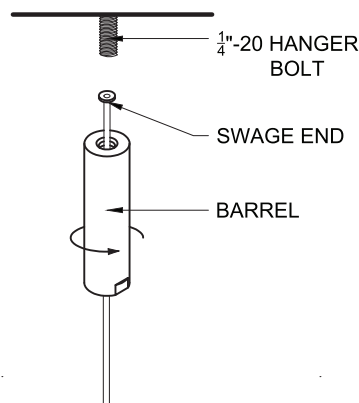


STEP 3

A. IDENTIFY THE THREADED END OF THE BARREL AND THE SWAGE END OF THE WIRE.

B. INSERT THE PLAIN END OF THE SUPPLIED WIRE THROUGH THE LARGE THREADED END OF THE BARREL UNTIL THE SWAGE END IS SEATED IN THE BARREL.

C. ATTACH THE THREADED END OF THE BARREL TO 1 / 4"-20 HANGER BOLT.



ZINTRA

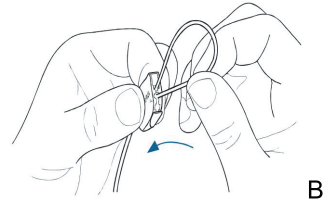
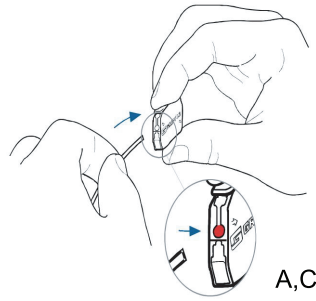
INDIVIDUAL GROMMET BAFFLE INSTALLATION INSTRUCTIONS

STEP 4

A. INSERT THE PLAIN END OF THE SUPPLIED WIRE THROUGH ONE SIDE OF THE ADJUSTABLE FASTENER

B. LOOP THE WIRE THROUGH THE GROMMET

C. REINSERT THE PLAIN END OF THE WIRE INTO THE REMAINING SIDE OF THE ADJUSTABLE FASTENER UNTIL SECURE



STEP 5

ONCE THE BAFFLE IS PROPERLY SUSPENDED AND LEVEL IS CHECKED USING A SPIRIT LEVEL, ENSURE THE CABLE TENSION IS ALL EQUAL AND NO BOWING IS OCCURING

TRIM THE EXCESS WIRE WITH WIRE CUTTERS

NOTE: WIRE IS INDEFINITELY ADJUSTABLE BY DEPRESSING TAB ON APPROPRIATE SIDE

