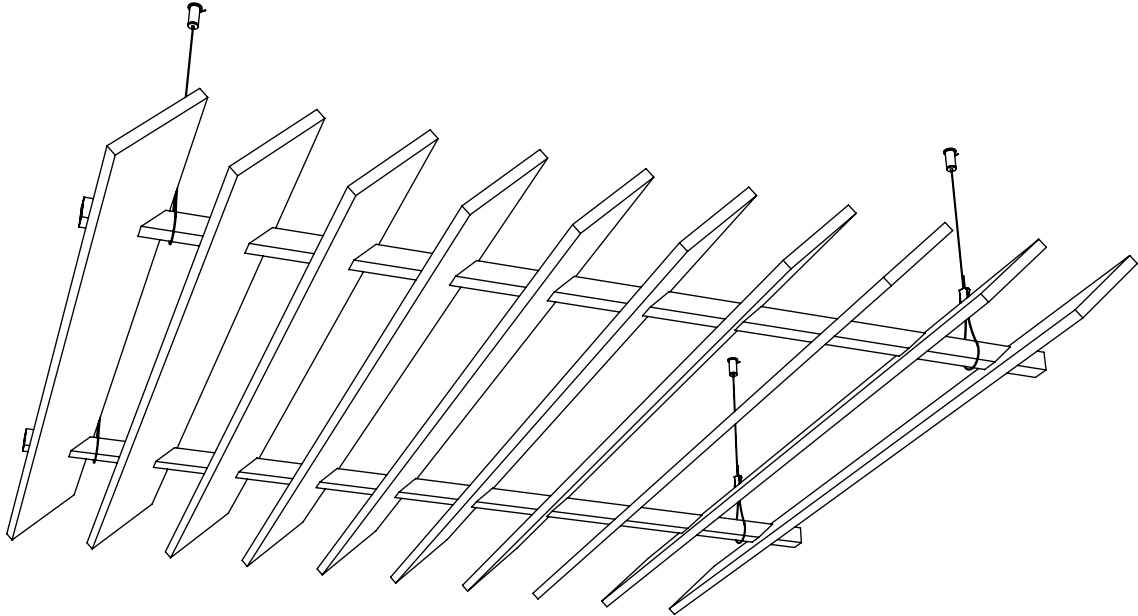


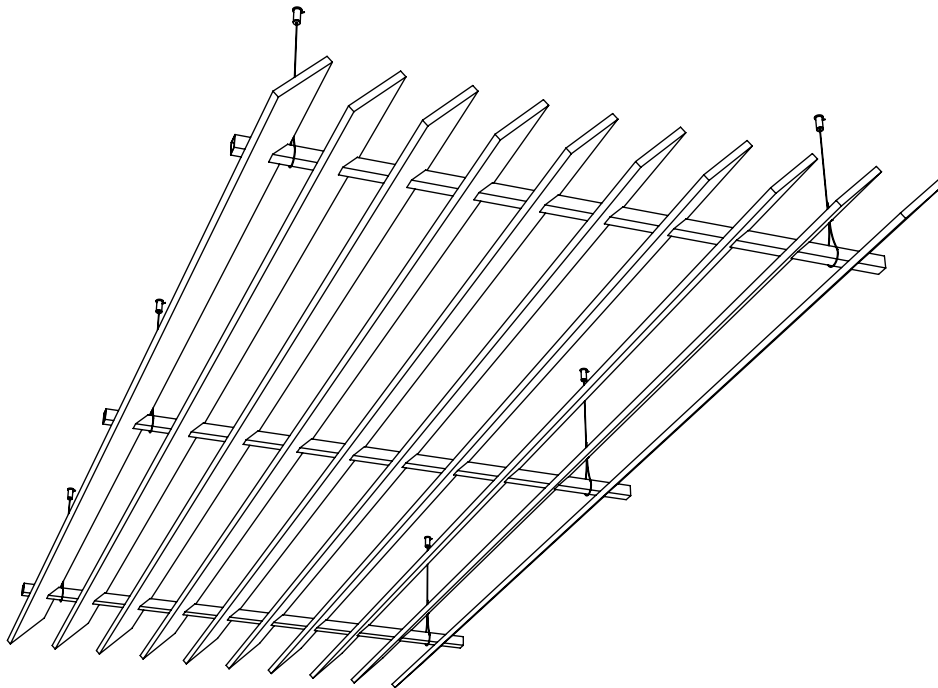
# ZINTRA BAFFLES

## LOUVRE

### INSTALLATION INSTRUCTIONS



PERSPECTIVE - 48.03" x 48.03" x 0.5"



PERSPECTIVE - 108.07" x 48.03" x 0.5"

# ZINTRA BAFFLES

## LOUVRE

### INSTALLATION INSTRUCTIONS

#### PARTS AND HARDWARE

(4 - 48" WIDE, 6 - 108" WIDE) CABLE WITH SWAGE END, AND BARREL



(4 - 48" WIDE, 6 - 108" WIDE) 1/4" - 20 HANGER BOLT (FOR USE WITH WOOD SUBSTRATE ONLY)



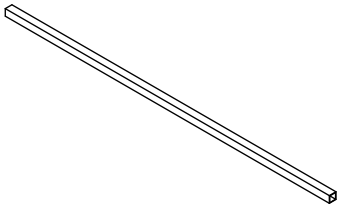
(4 - 48" WIDE, 6 - 108" WIDE) ADJUSTABLE FASTENER



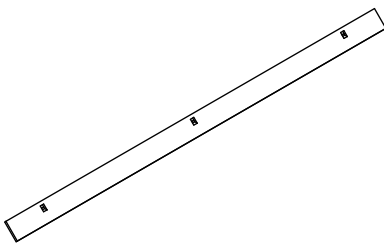
(4 - 48" WIDE, 6 - 108" WIDE) END CAP



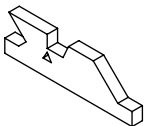
(2- 48" WIDE, 3 - 108" WIDE) CROSSRUNNER WITHOUT NOTCHES



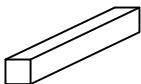
(10) ZINTRA BLADES (108" TYPICAL SHOWN)



(2) ZINTRA LOUVRE JIG



(2 - 48" WIDE, 3 - 108" WIDE) ZINTRA CONNECTOR - IF CONNECTING MORE THAN 1 BAFFLE ASSEMBLY



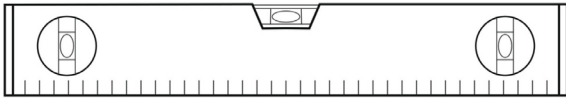
# ZINTRA BAFFLES

## LOUVRE

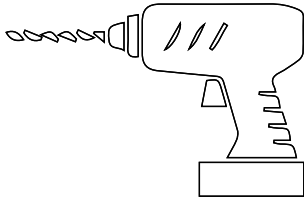
### INSTALLATION INSTRUCTIONS

## YOU WILL NEED

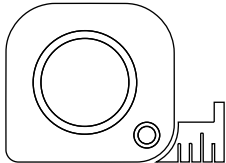
SPIRIT LEVEL



DRILL



TAPE MEASURE



# ZINTRA BAFFLES

## LOUVRE

### INSTALLATION INSTRUCTIONS

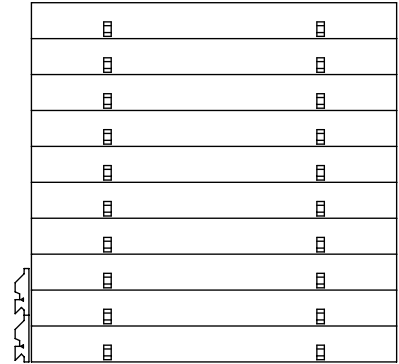
#### STEP 1

CHECK TO SEE IF PACKAGE CONTAINS ALL COMPONENTS. EVERY PACKAGE WILL COME WITH 10 BLADES AND 2 JIGS

48" - 10 BLADES, 2 JIGS (A)  
108" - 10 BLADES, 2 JIGS (B)

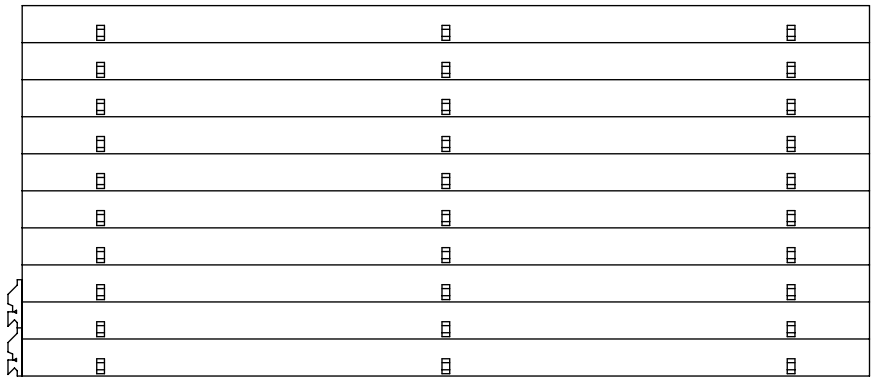
48.03" x 48.03" x 0.5"

(A)



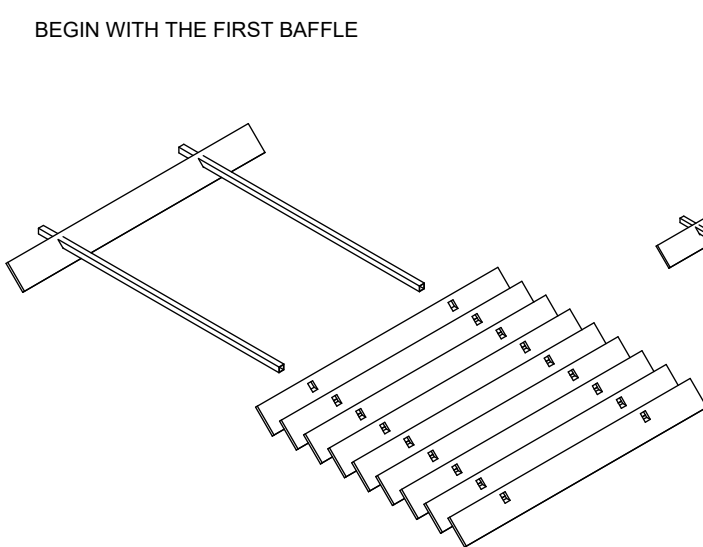
108.07" x 48.03" x 0.5"

(B)



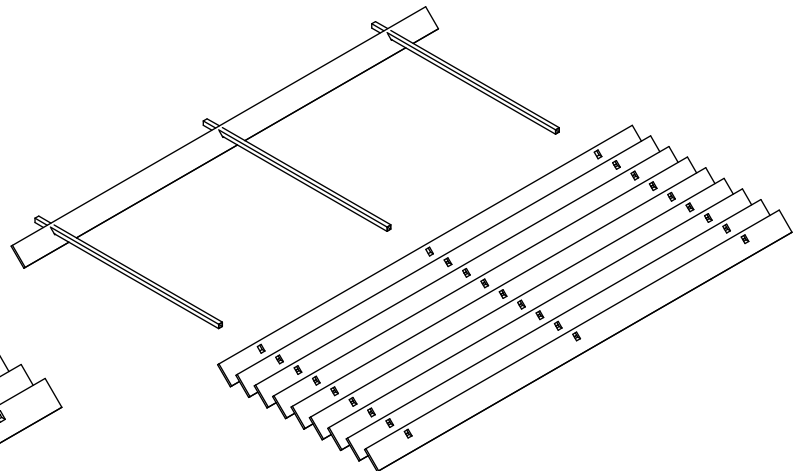
#### STEP 2

BEGIN WITH THE FIRST BAFFLE



48.03" x 48.03" x 0.5"

(A)



108.07" x 48.03" x 0.5"

(B)

# ZINTRA BAFFLES

## LOUVRE

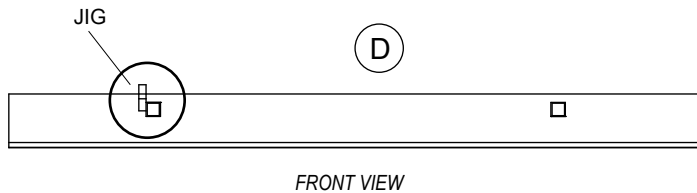
### INSTALLATION INSTRUCTIONS

#### STEP 3

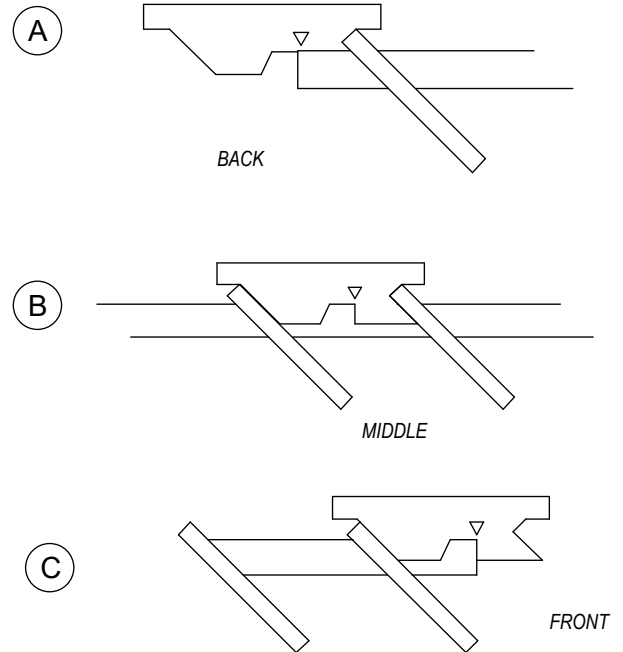
USING THE JIG AS A GUIDE, CONTINUE TO ADD ALL 10 BAFFLES TO MAKE THE COMPLETE ASSEMBLY (STARTING FROM SEQUENCE A TO C)

NOTE: MAKE SURE THE ARROW IS DIRECTLY ABOVE THE EDGE OF THE CROSSRUNNER. THIS WILL INDICATE THE STARTING POINT FOR THE FIRST BAFFLE (A).

DOUBLE CHECK ONCE ALL THE BAFFLES HAVE BEEN ASSEMBLED (1 THROUGH TO 10) USING THE ARROW ON THE JIG AS SHOWN IN (C).

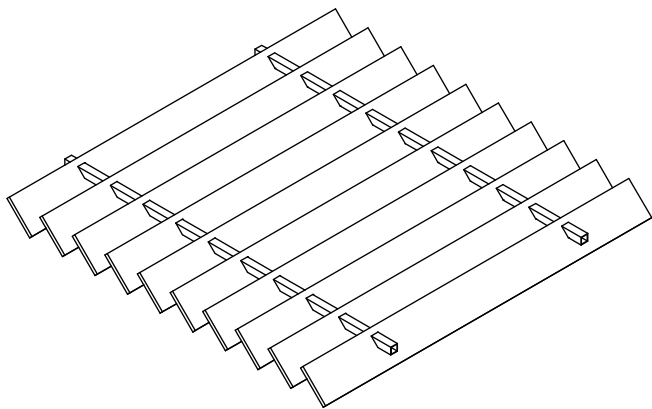


USE THE JIG BY RESTING IT ON THE SIDE PROFILE OF THE CROSSRUNNER LIKE SHOWN IN (D)



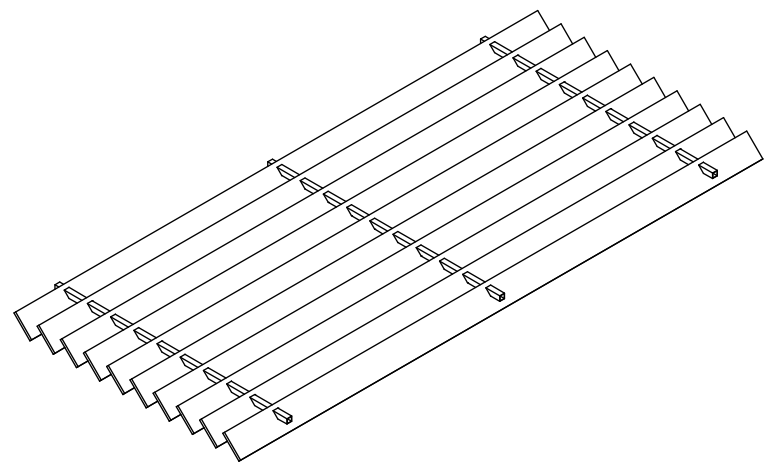
#### STEP 4

MAKE SURE THE ASSEMBLY HAS 10 BLADES, EQUALLY SPACED USING THE JIG.



48.03" x 48.03" x 0.5"

(A)



108.07" x 48.03" x 0.5"

(B)

# ZINTRA BAFFLES

## LOUVRE

### INSTALLATION INSTRUCTIONS

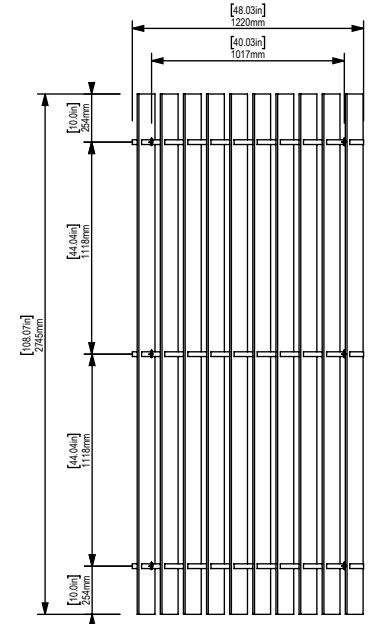
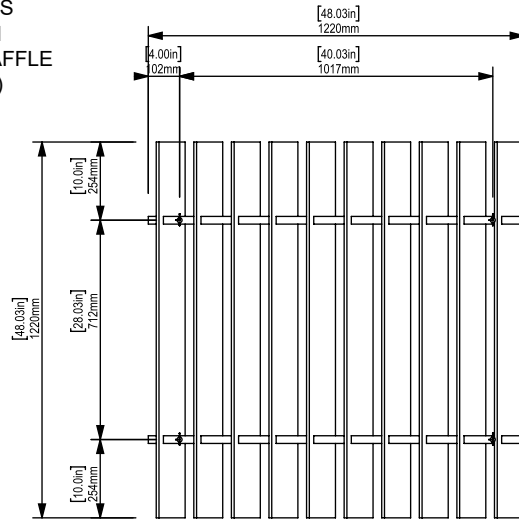
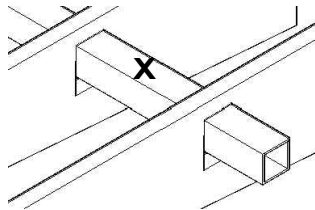
(A) 48.03" x 48.03" x 0.5"

(B) 108.07" x 48.03" x 0.5"

#### STEP 5

FIND THE LOCATIONS OF THE A.S.K'S  
IT WILL BE THE MIDPOINT BETWEEN  
THE FIRST BAFFLE AND SECOND BAFFLE  
ASSEMBLED (MARKED X ON DETAIL)  
FOR BOTH THE BACK AND FRONT.

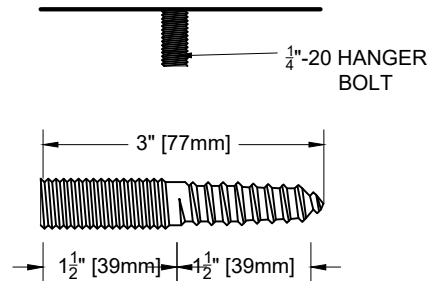
THERE WILL BE 2 LOCATIONS PER  
CROSSRUNNER (TOTAL OF 4 ON (A)  
AND TOTAL OF 6 ON (B)).



TOP VIEW

#### STEP 6

AFTER IDENTIFYING EACH  
CORRESPONDING POINT ON THE  
CEILING SUBSTRATE, TO THE POINTS  
MARKED ON STEP 7, DRILL AND  
ATTACH 1/4"-20 DOUBLE SIDED  
HANGER BOLT TO SUBSTRATE.  
REFERENCE DETAIL (SUPPLIED FOR  
WOOD ANCHORING ONLY). FOR ALL  
OTHER SUBSTRATES, STUDS/  
ANCHORS MUST BE SOURCED BY  
THE INSTALLER.

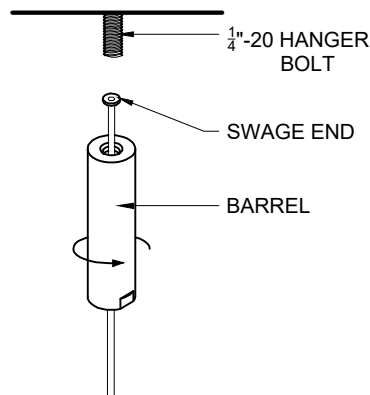


#### STEP 7

A. IDENTIFY THE THREADED END  
OF THE BARREL AND THE SWAGE  
END OF THE WIRE.

B. INSERT THE PLAIN END OF THE  
SUPPLIED WIRE THROUGH THE  
LARGE THREADED END OF THE  
BARREL UNTIL THE SWAGE END IS  
SEATED IN THE BARREL.

C. ATTACH THE THREADED END  
OF THE BARREL TO 1 / 4"-20



# ZINTRA BAFFLES

## LOUVRE

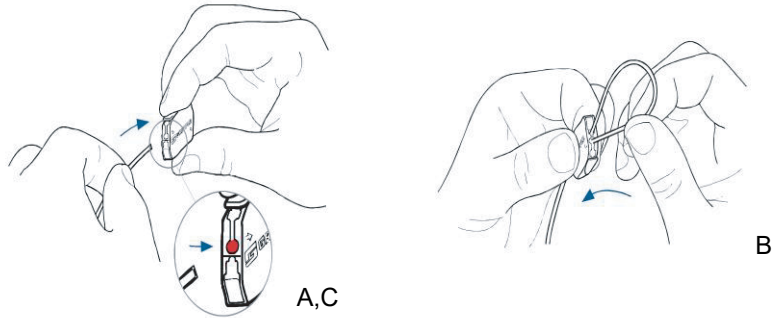
### INSTALLATION INSTRUCTIONS

#### STEP 8

A. INSERT THE PLAIN END OF THE SUPPLIED WIRE THROUGH ONE SIDE OF THE ADJUSTABLE FASTENERS.

B. LOOP THE WIRE AROUND THE CROSSRUNNER WHERE MARKED.

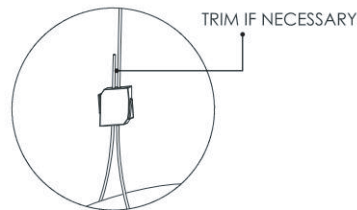
C. RE-INSERT THE PLAIN END OF THE WIRE INTO THE REMAINING SIDE OF THE ADJUSTABLE FASTENER UNTIL SECURE.



#### STEP 9

ONCE THE BAFFLE IS PROPERLY SUSPENDED, TRIM THE EXCESS WIRE (IF NECESSARY) WITH WIRE CUTTERS.

**NOTE: WIRE IS INFINITELY ADJUSTABLE BY DEPRESSING TAB ON APPROPRIATE SIDE.**



#### STEP 10

A. CAP THE END OF THE SUSPENSION RODS BY PRESSING THE SUPPLIED PVC CAPS UNTIL SECURE.

B. TO CONNECT MULTIPLE BAFFLE SYSTEMS TOGETHER USE THE SUPPLIED ZINTRA CONNECTORS. INSERT ONE OF THEM HALF WAY INTO THE CROSSRUNNER, AND THE OTHER HALF INTO THE ADJACENT CROSSRUNNER. ADJUST AS NEEDED FOR ALIGNMENT.

