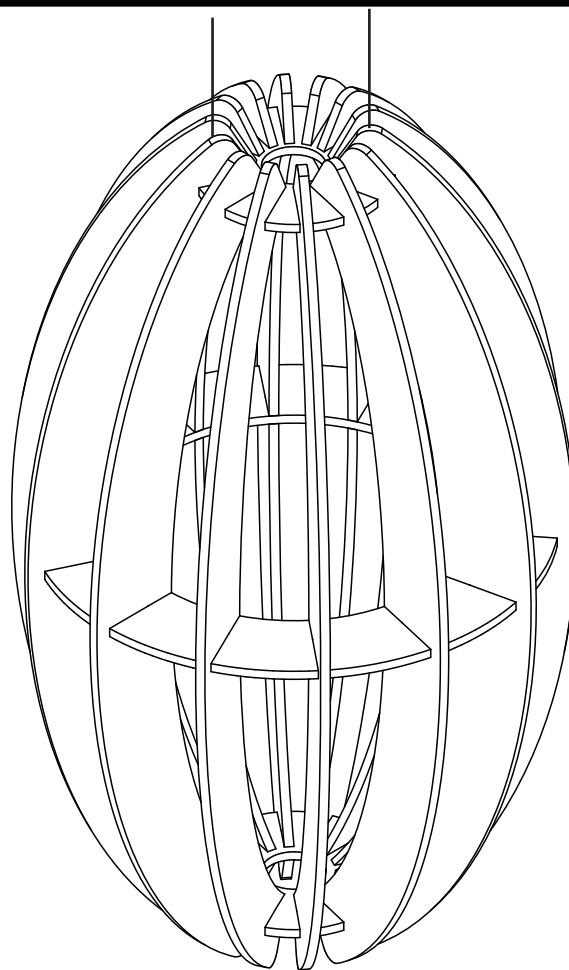


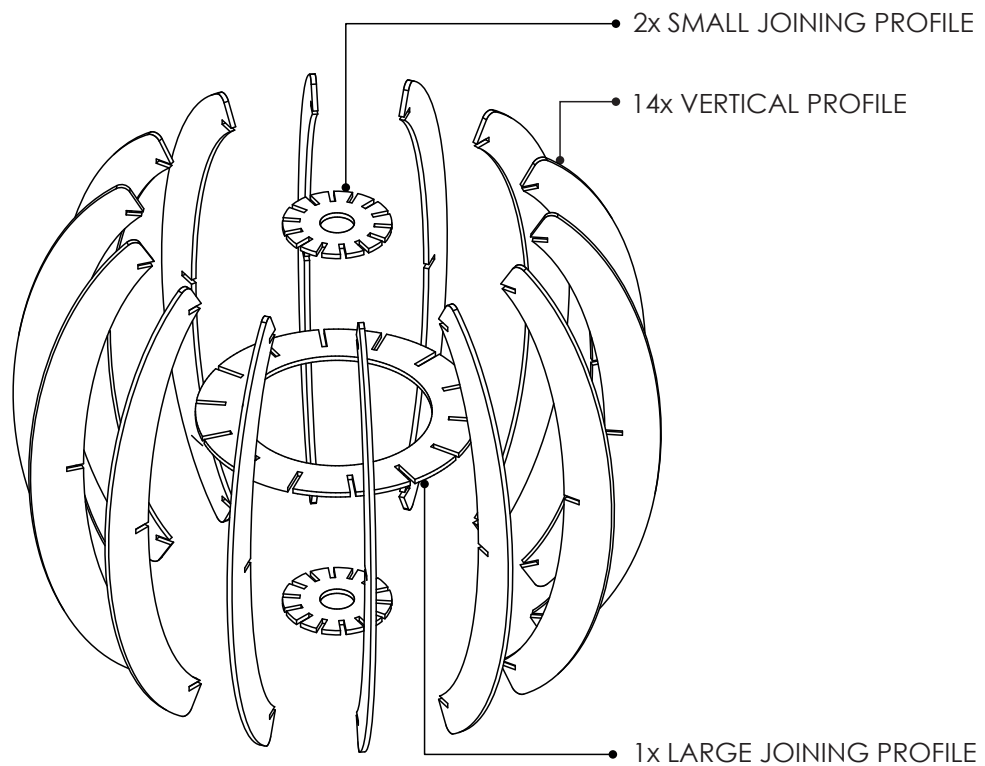
zintra
zintraacoustic.com

MEDIUM GIFFARD CLOUD

INSTALL GUIDE

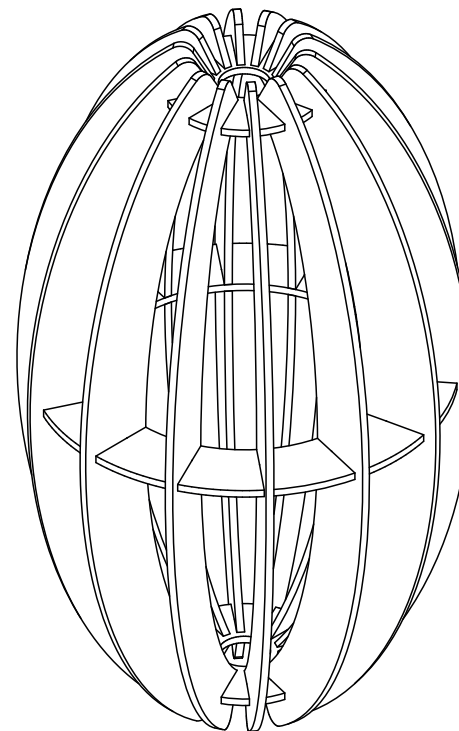


MEDIUM GIFFARD CLOUD ASSEMBLY



1) Assemble cloud profiles as shown.

STEP 1



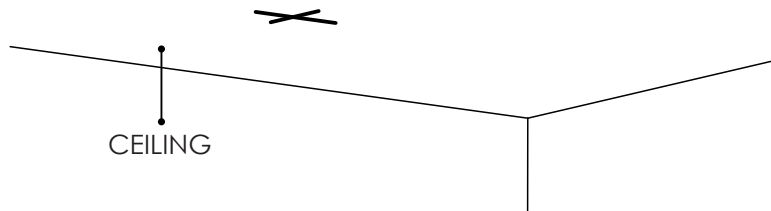
2) Assembly is complete.

STEP 2

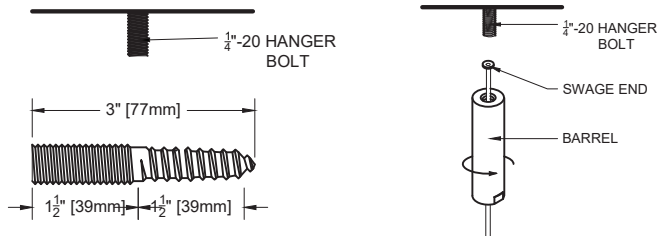
MEDIUM GIFFARD CLOUD
INSTALL GUIDE

MEDIUM GIFFARD CLOUD SUSPENSION METHOD

3) Place cloud assembly up to ceiling in desired location. Mark position of through holes which correspond to the centre of each "set" of mounting slits on the mounting profile. Test that hole position is correct by temporarily suspending cloud on wires as shown in STEP 7 & 8.

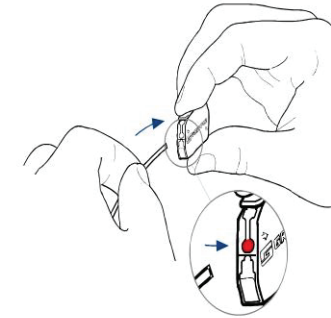


3) Install the 1/4"-20 hanger bolts to the substrate. The supplied hanger bolts are intended for use in wood only. For other substrates the installer will need to source the appropriate hardware.

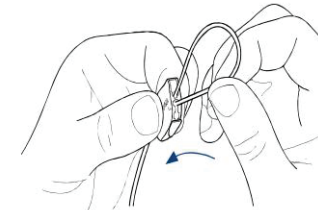


STEP 3 & 4

5) Feed swaged wire through tip of 'wire adjuster' (as shown). Push button (shown in grey) to adjust wire length. Release the button to lock in place.



6) Insert the plain end of the cable through one side of the adjustable fastener. Loop the wire through the hole in the mounting profile and around the edge of the mounting profile at the predetermined locations. Re-insert the plain end of the cable through the remaining side of the adjustable fastener.

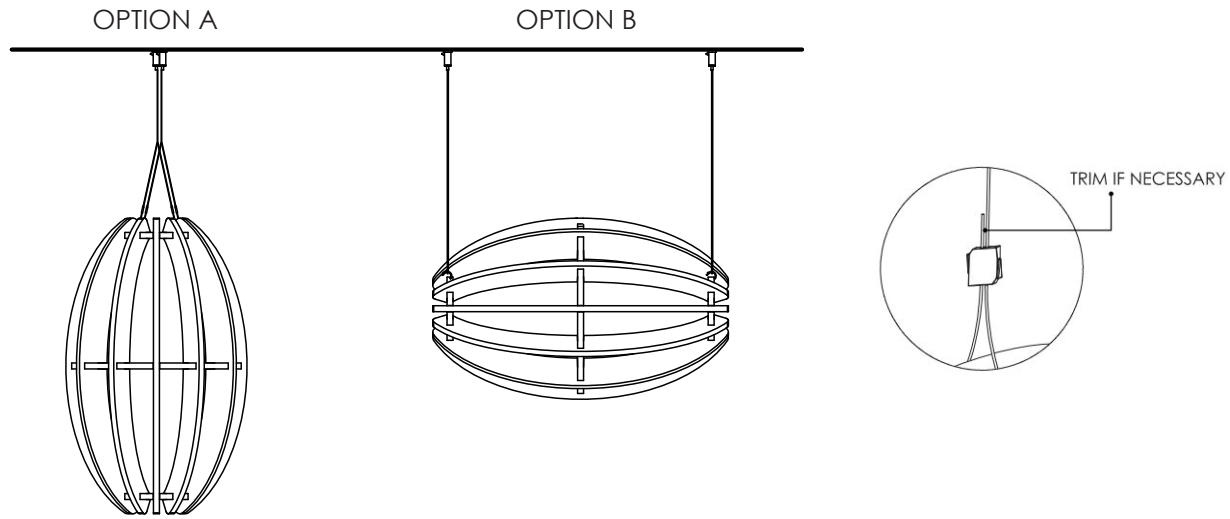


STEP 5 & 6

MEDIUM GIFFARD CLOUD INSTALL GUIDE

MEDIUM GIFFARD CLOUD SUSPENSION METHOD

7) Re-adjust wire length as explained in STEP 5 until you are satisfied with the hanging height. Note, there are 2 orientation options as shown below.

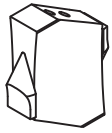


STEP 7 & 8

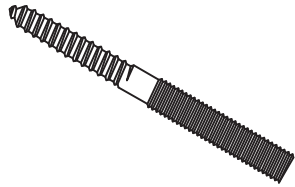
MEDIUM GIFFARD CLOUD INSTALL GUIDE

*Please note, above linework is representative only.
Your cloud may not be depicted.

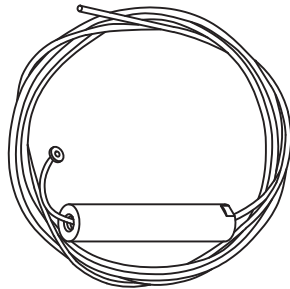
MEDIUM GIFFARD CLOUD PARTS



ADJUSTABLE FASTENER

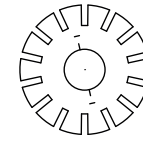


HANGER BOLT

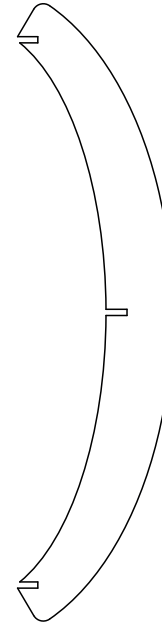


**CABLE WITH
BARREL FIXING**

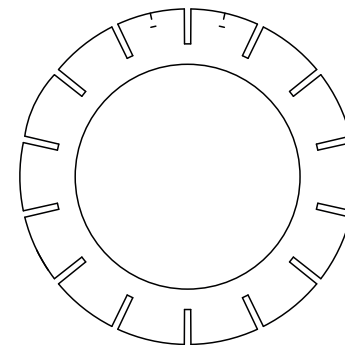
MEDIUM GIFFARD CLOUD INSTALL GUIDE



SMALL JOINING PROFILE
2 OFF



VERTICAL PROFILE
14 OFF



LARGE JOINING PROFILE
1 OFF