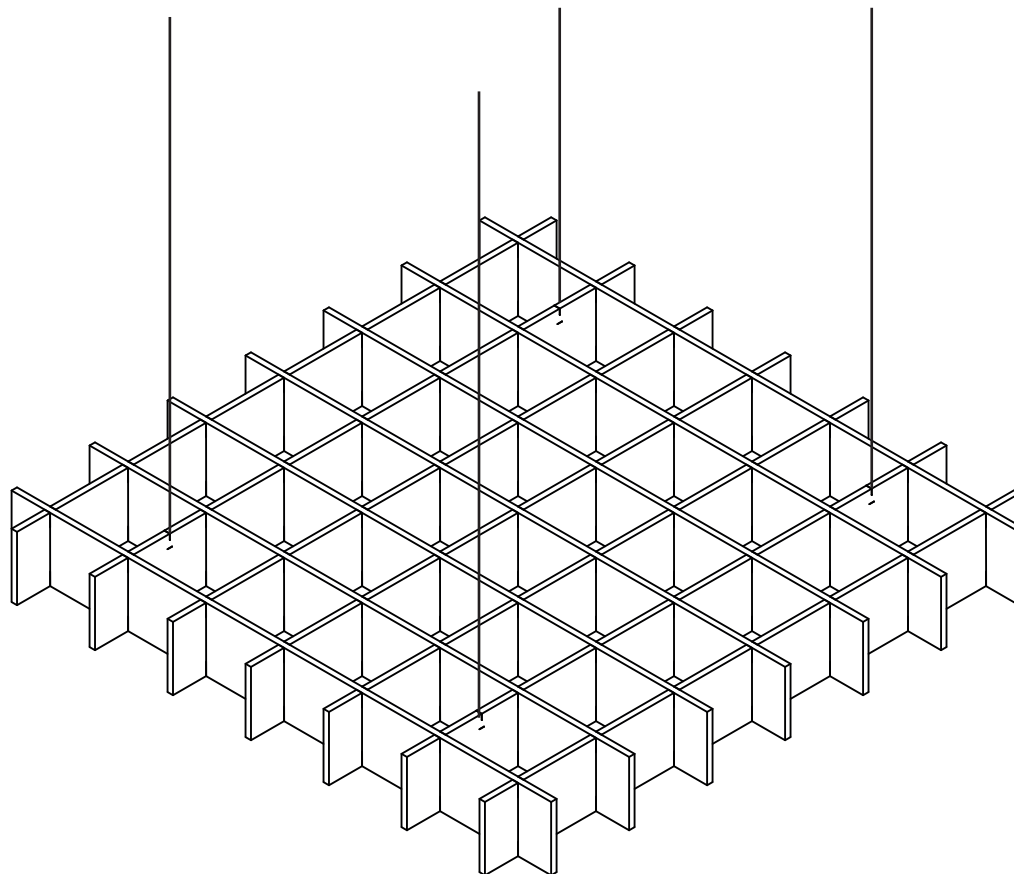


zintra
zintraacoustic.com

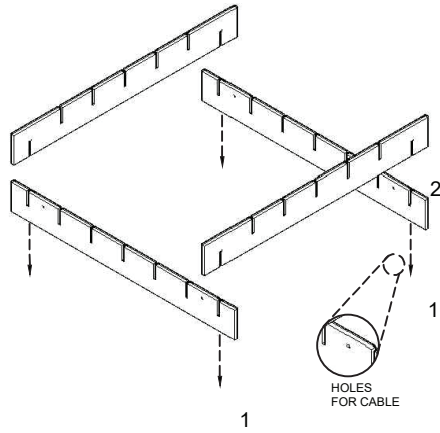
STANDARD CLOUD INSTALL GUIDE



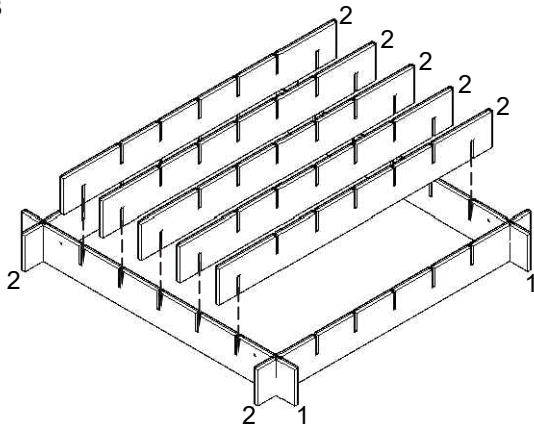
STANDARD CLOUD ASSEMBLY

STEP 1) Assemble cloud profiles via slots.
Note position of mounting slits.

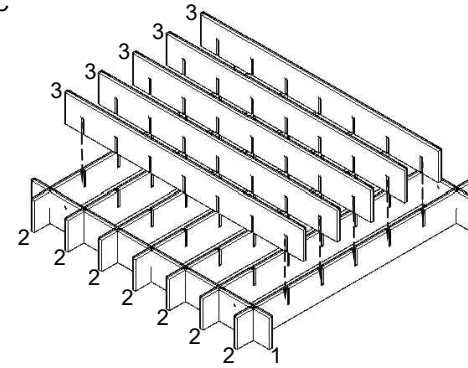
A



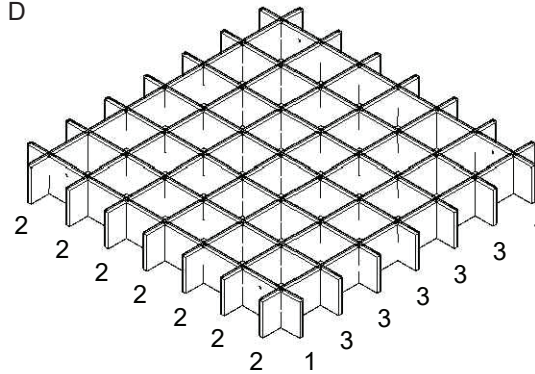
B



C



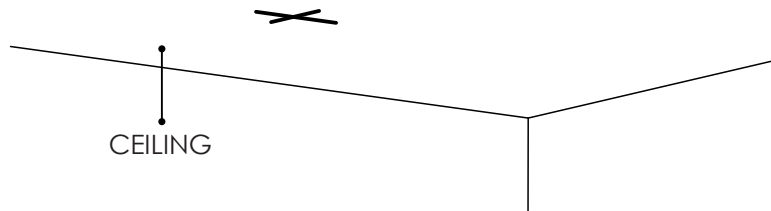
D



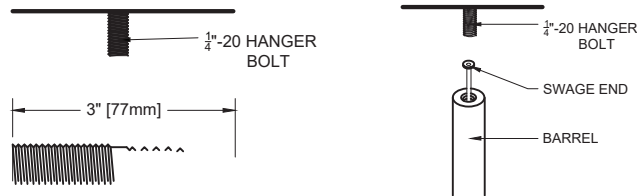
STANDARD CLOUD
INSTALL GUIDE

STANDARD CLOUD SUSPENSION METHOD

3) Place cloud assembly up to ceiling in desired location. Mark position of through holes which correspond to the centre of each "set" of mounting slits on the mounting profile. Test that hole position is correct by temporarily suspending cloud on wires as shown in STEP 7 & 8.

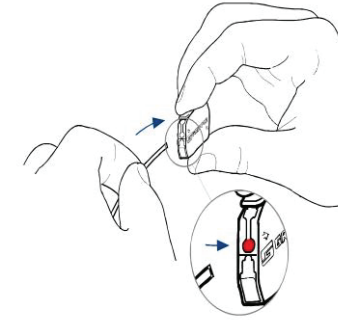


3) Install the 1/4"-20 hanger bolts to the substrate. The supplied hanger bolts are intended for use in wood only. For other substrates the installer will need to source the appropriate hardware.

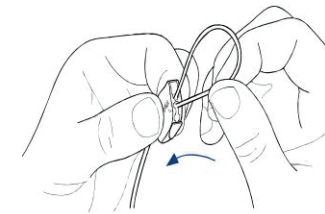


STEP 3 & 4

5) Feed swaged wire through tip of 'wire adjuster' (as shown). Push button (shown in grey) to adjust wire length. Release the button to lock in place.



6) Insert the plain end of the cable through one side of the adjustable fastener. Loop the wire through the hole in the mounting profile and around the edge of the mounting profile at the predetermined locations. Re-insert the plain end of the cable through the remaining side of the adjustable fastener.

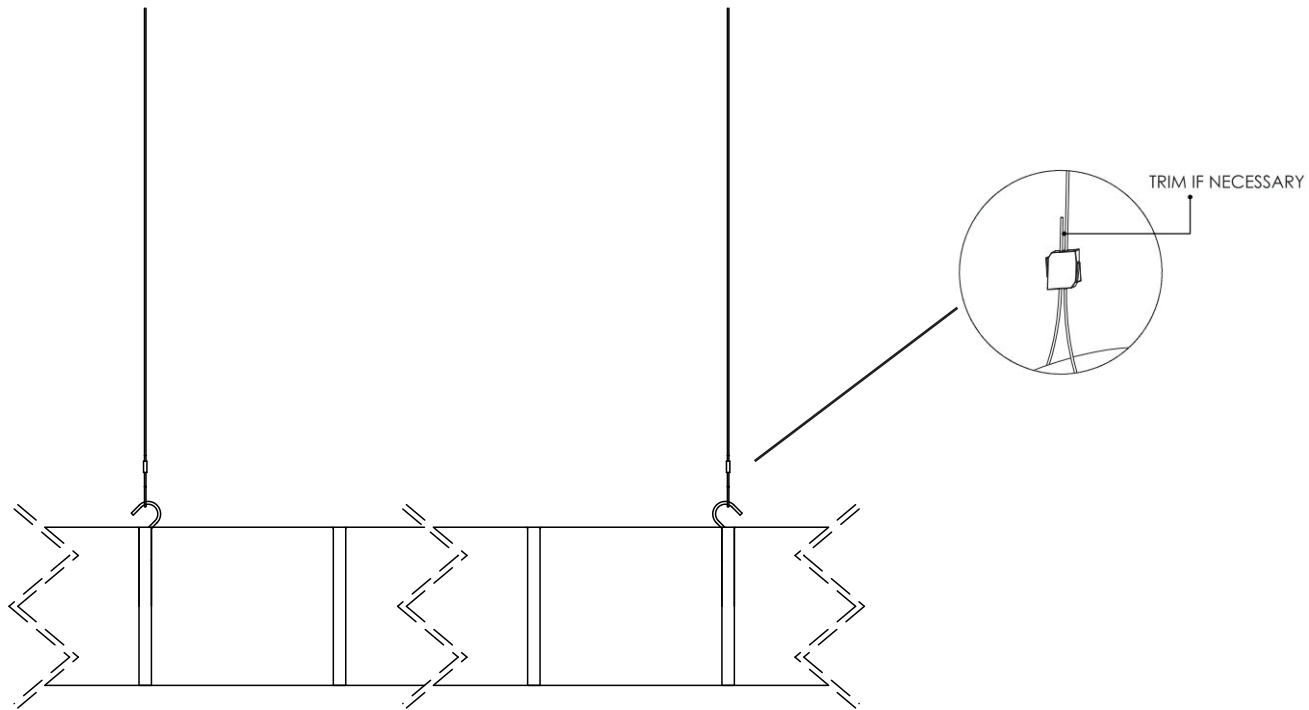


STEP 5 & 6

STANDARD CLOUD INSTALL GUIDE

STANDARD CLOUD SUSPENSION METHOD

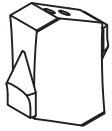
7) Re-adjust wire length as explained in STEP 6 until entire assembly hangs level. Trim excess wire for a neat finish.



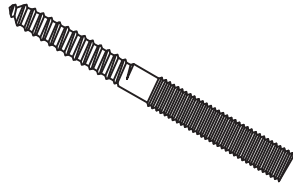
STEP 7

*Please note, above linework is representative only.
Your cloud may not be depicted.

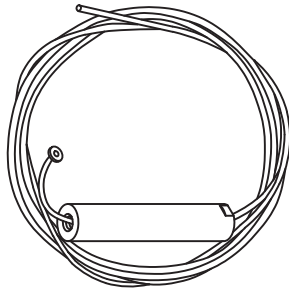
STANDARD CLOUD PARTS



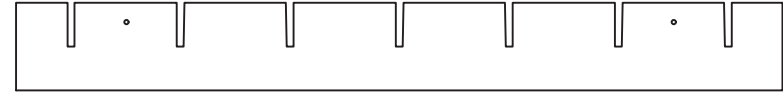
ADJUSTABLE FASTENER



HANGER BOLT



CABLE WITH
BARREL FIXING



(2) BLADE 1



(7) BLADE 2



(5) BLADE 3