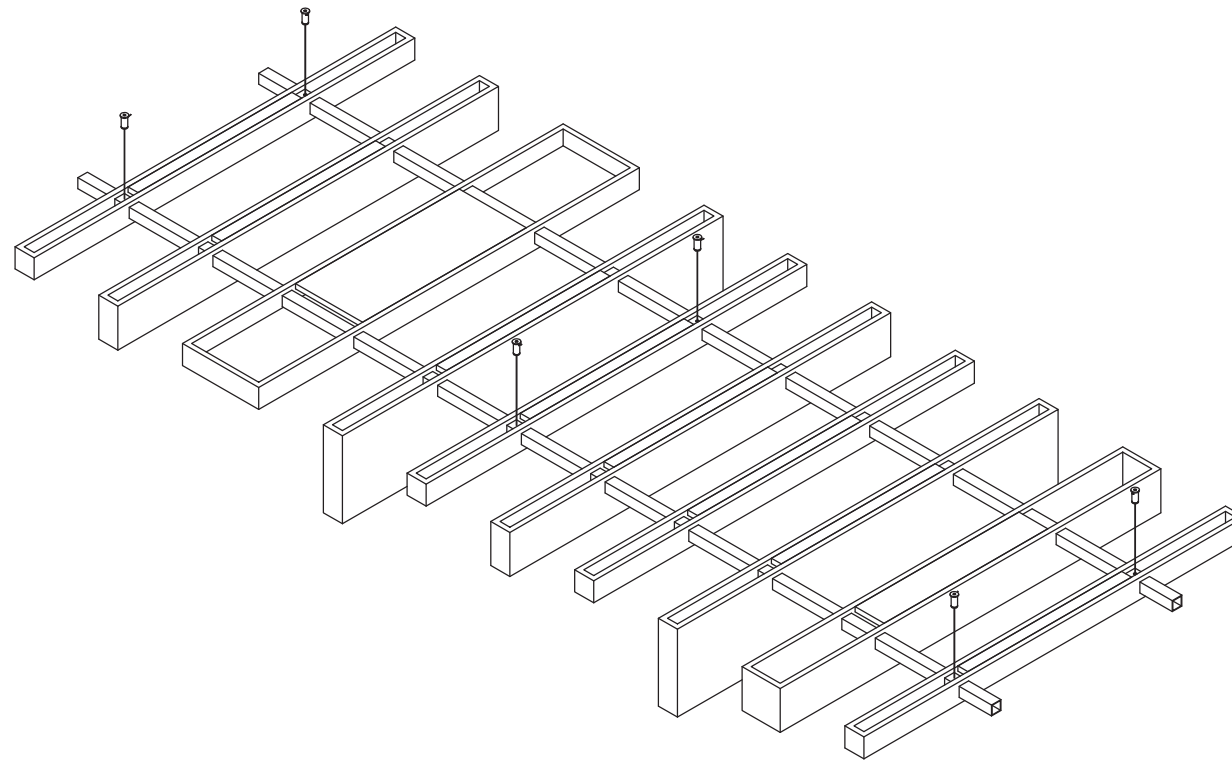


# BOX BAFFLES INSTALL GUIDE

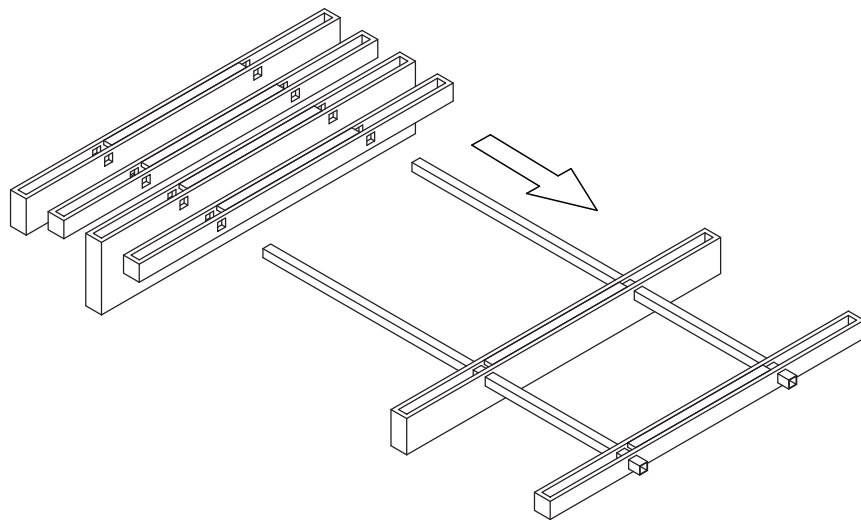


Note: Assembly image is for reference only

# BOX BAFFLES

## ASSEMBLY

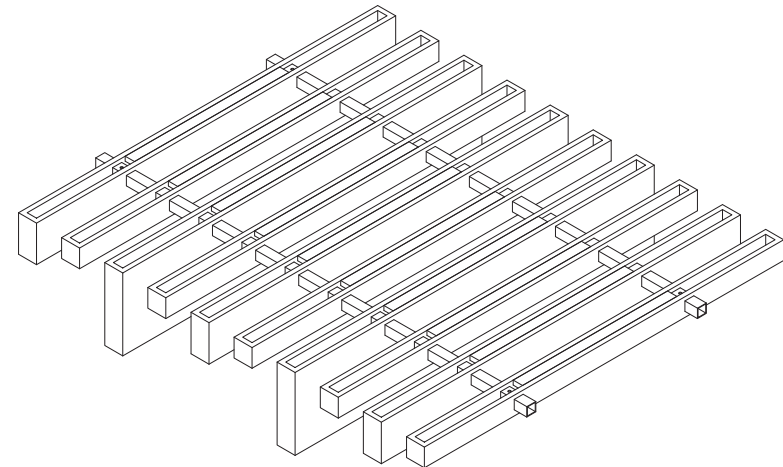
1) Thread each Box Baffle onto the square crossrunners as per the design specified by client.  
Note: spacing is not pre-determined, please refer to design from specifier for spacing dimensions



**STEP 1**

**COMPLETED BAFFLE ASSEMBLY**

**BOX BAFFLES**  
INSTALL GUIDE



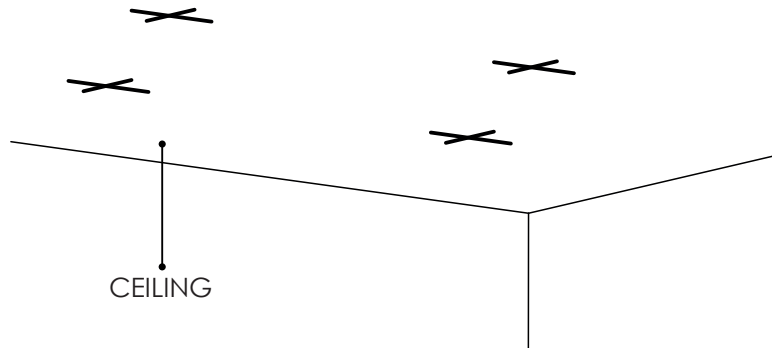
\*Above arrangement is for reference only to show an assembled system. Refer to specification for correct arrangement and spacing of sleepers for your job.

# BOX BAFFLES

## SUSPENSION METHOD

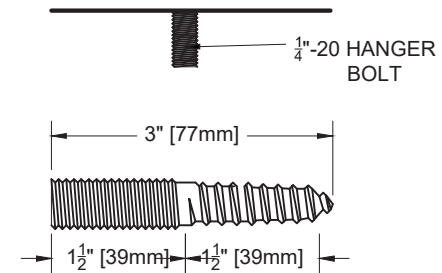
2) Determine the suspension points for the Box Baffle System that best suit the site specific installation. It is recommended to have three suspension points for each crossrunner; each end and a mid point.

Once the suspension points on the Box Baffle have been selected, identify the corresponding points on the ceiling substrate.

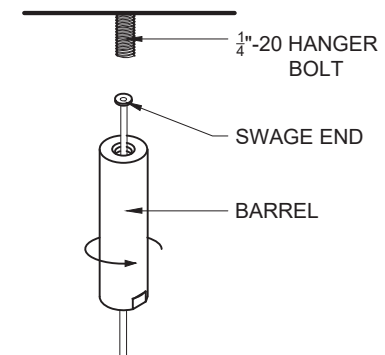


STEPS 2

3) Install the 1/4"-20 hanger bolts to the substrate. The supplied hanger bolts are intended for use in wood only. For other substrates the installer will need to source the appropriate hardware.



4) Identify the threaded end of the barrel and the swage end of the cable. Insert the plain end of the supplied wire through the large threaded end of the barrel until it is fully seated in the barrel. Attach the threaded end of the barrel to the 1/4"-20 hanger bolt.

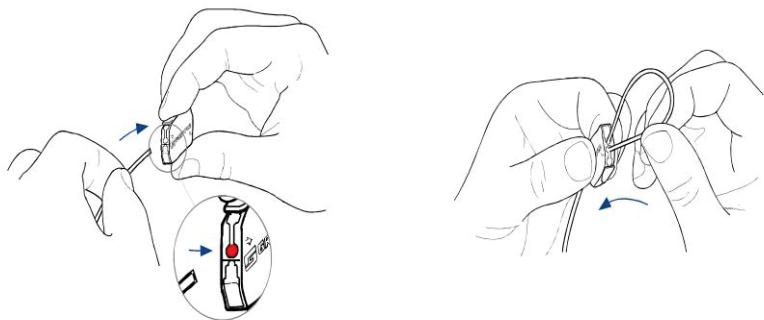


STEPS 3 & 4

## BOX BAFFLES

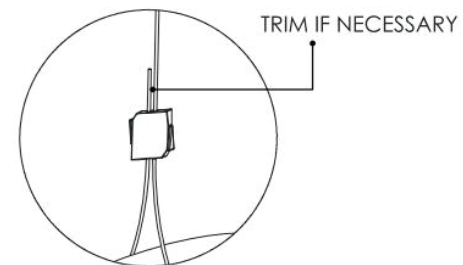
### SUSPENSION METHOD

5) Insert the plain end of the cable through one side of the adjustable fastener. Loop the wire around the crossrunner at the predetermined locations. Re-insert the plain end of the cable through the remaining side of the adjustable fastener.

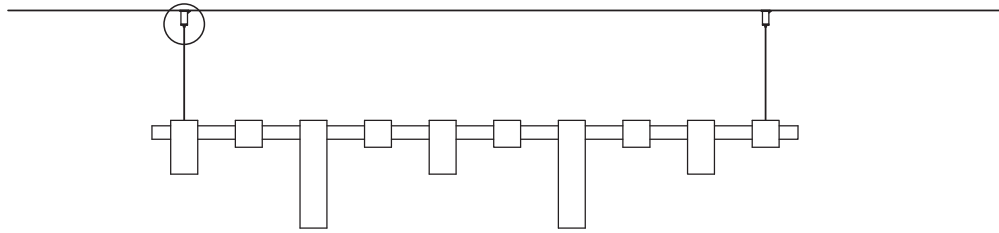


**STEP 5**

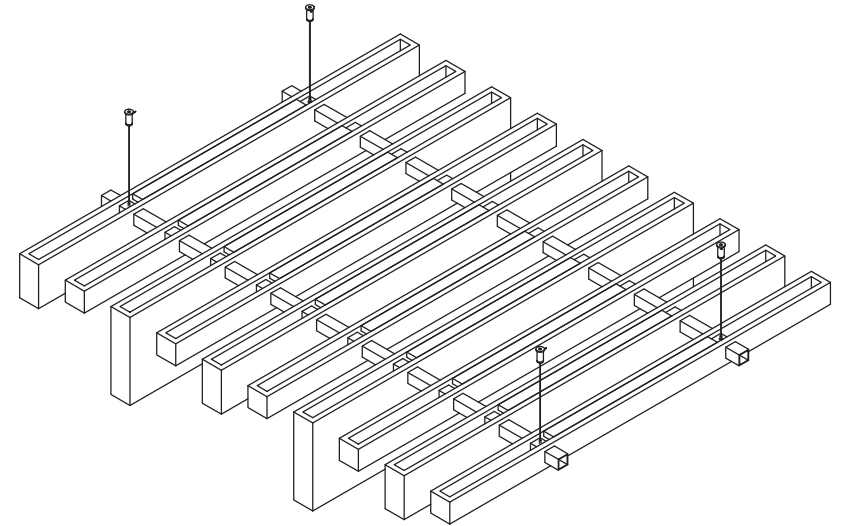
6) Once the Box Baffle System is properly suspended, trim the excess cable. The cable is adjustable by depressing tab on appropriate side.



**STEP 6**



SIDE VIEW



Note: Assembly image is for reference only

**COMPLETED INSTALL**

**BOX BAFFLES**  
INSTALL GUIDE

**PLEASE NOTE: BAFFLE INSTALLATION**  
**WILL REQUIRE 2 PEOPLE.**

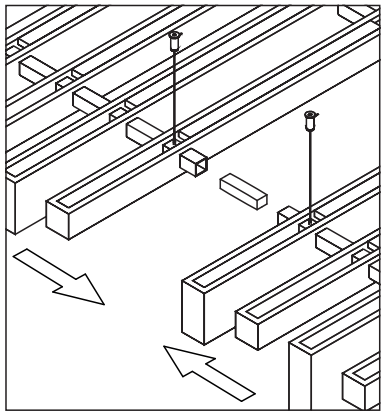
# SLEEPER BAFFLES

## CONNECTOR & CAPPING DETAIL

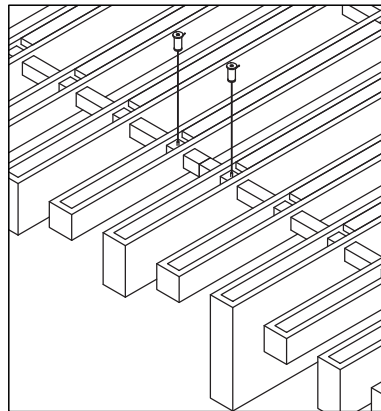
### CONNECTOR DETAIL

To connect multiple Box Baffle systems together, insert connectors into open ends of crossrunners and push systems together as shown.

a.



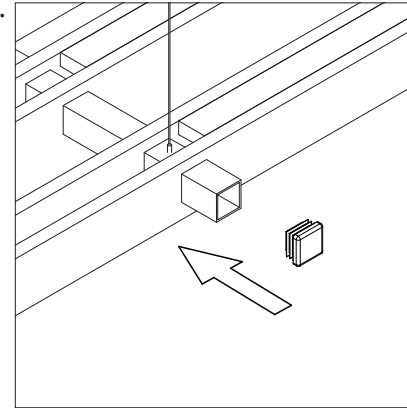
b.



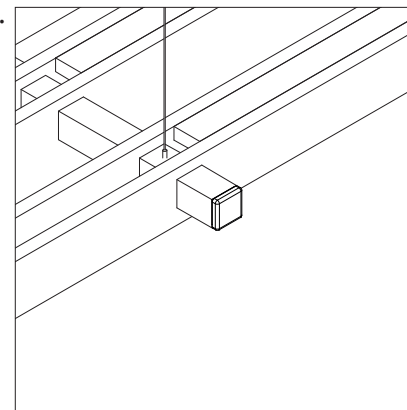
### CAPPING DETAIL

To cap ends of Box Baffle systems - insert end caps provided as shown.

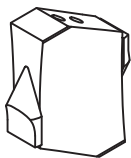
a.



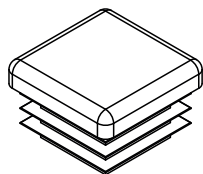
b.



# BOX BAFFLES PARTS



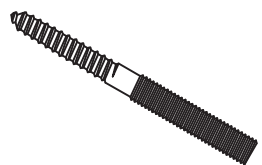
**ADJUSTABLE  
FASTENER**



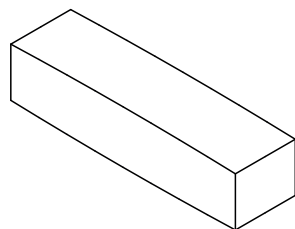
**END CAPS**



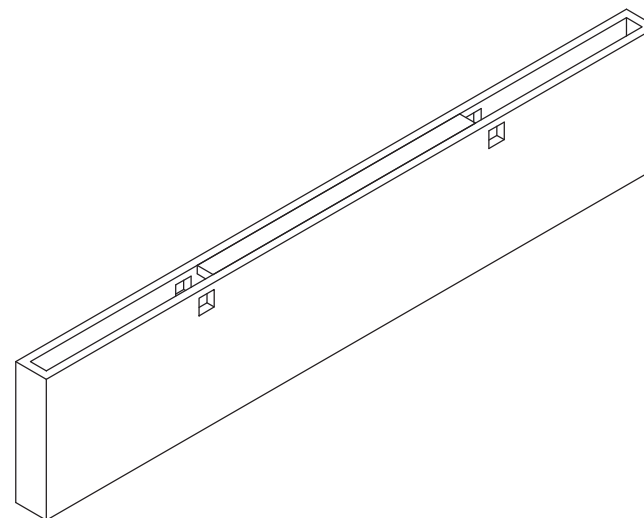
**CROSSRUNNER**  
SIZE, COLOUR AND FINISH AS PER SPECIFICATION



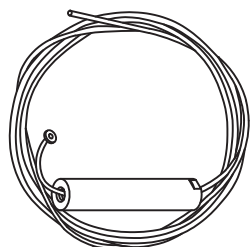
**HANGER BOLTS**



**CONNECTORS**



**TYPICAL BOX BAFFLE**  
SIZE, COLOUR AND FINISH AS PER SPECIFICATION



**CABLE**

**BOX BAFFLES  
INSTALL GUIDE**

**PLEASE NOTE: QUANTITIES OF EACH  
PART AS PER SPECIFICATION AND ORDER**