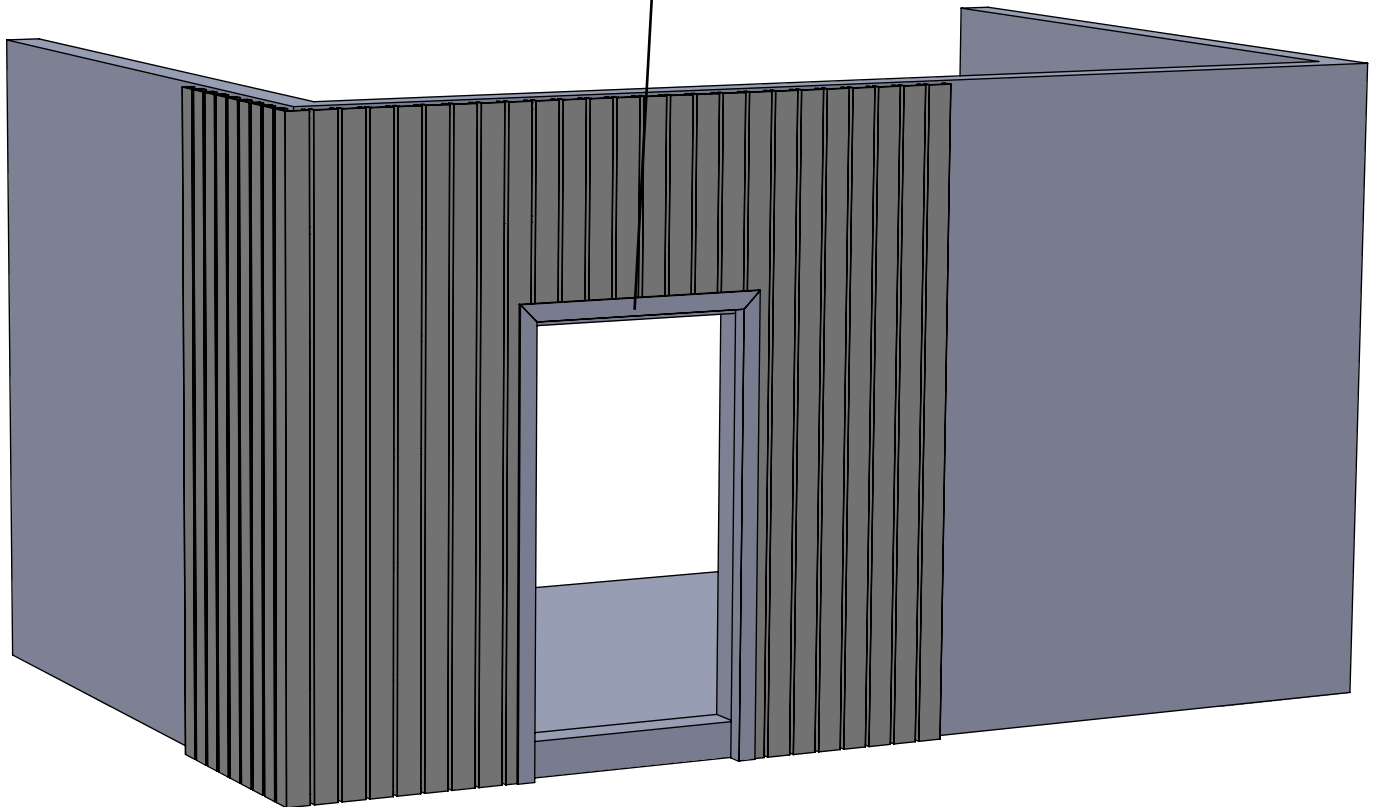
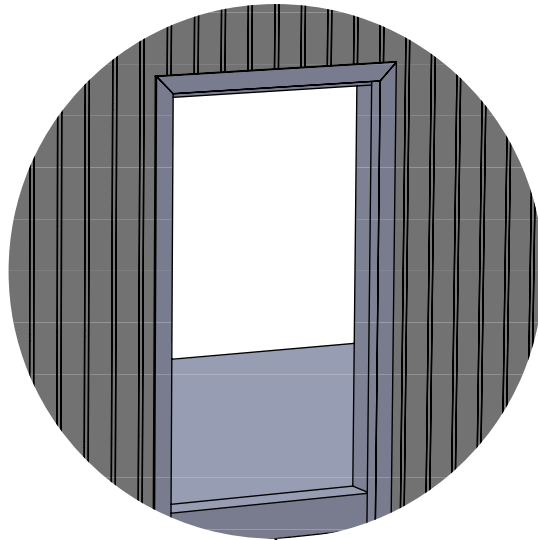


ZINTRA STICKS

STICKS TRIM

INSTALLATION INSTRUCTIONS



ZINTRA STICKS

STICKS TRIM

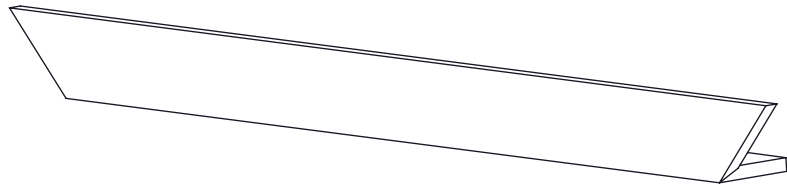
INSTALLATION INSTRUCTIONS

PARTS AND HARDWARE

ZINTRA STICKS TRIM - *TO BE CUT ON SITE*



UNCUT



CUT

ZINTRA STICKS

STICKS TRIM

INSTALLATION INSTRUCTIONS

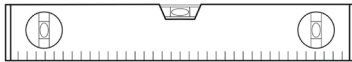
YOU WILL NEED

SUITABLE SCREWS

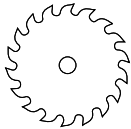
SCREWS ARE NOT INCLUDED - INSTALLER TO SUPPLY BASED ON FIXING SUBSTRATE



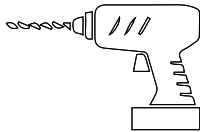
SPIRIT LEVEL



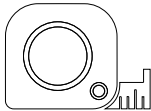
DROP SAW WITH SUITABLE BLADE FOR ALUMINIUM CUTTING



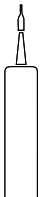
DRILL



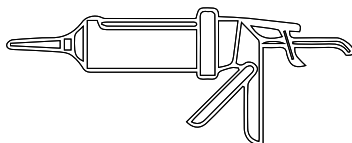
TAPE MEASURE



HIGH STRENGTH CONSTRUCTION ADHESIVE



APPROPRIATE APPLICATOR



ZINTRA STICKS

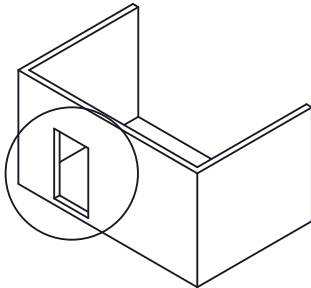
STICKS TRIM

INSTALLATION INSTRUCTIONS

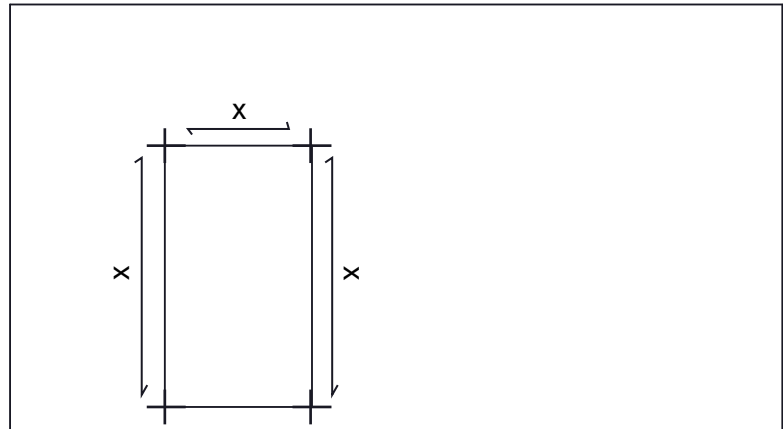
STEP 1

MEASURE THE SPACE OF THE DOOR OR WINDOW WHERE THE STICKS WILL BE INSTALLED.

THIS IS GOING TO DETERMINE THE DIMENSIONS AT WHICH THE STICKS WILL BE CUT TO.



FRONT VIEW



STEP 2

MEASURE THE WIDTH [X] OF THE INSTALL AND CUT THE ALUMINIUM TO SUIT

NOTE: AFTER MEASURING AND MARKING WHERE TO CUT THE ALUMINIUM TUBE, COUNT THE NUMBER OF NOTCHES TO ENSURE IT WILL SUIT THE QUANTITY OF STICKS REQUIRED. FOR EXAMPLE, A WIDE STICK USES 4 NOTCHES, THEREFORE THE NOTCHES IN THE ALUMINIUM TUBE WILL NEED TO EQUAL A MULTIPLE OF 4.

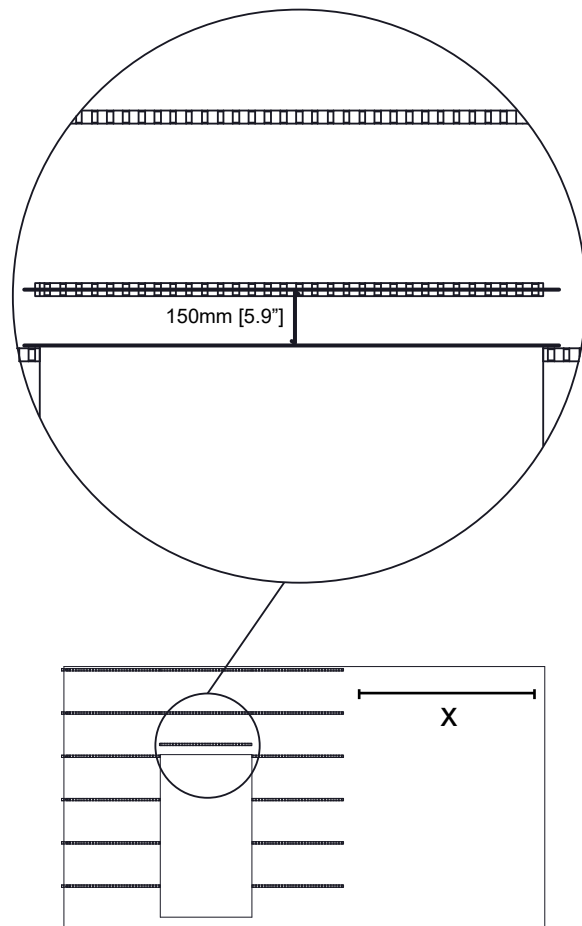
USE A LASER LEVEL OR SPIRIT LEVEL TO MARK ALUMINIUM POSITION ON THE WALL

MAX DISTANCE FROM TUBE CENTRES IS 450mm [17.71"]

MAX DISTANCE BETWEEN END OF STICK AND FIRST TUBE CENTRE IS 150mm [5.9"]

INSTALL STANDARD ALUMINIUM TUBE INTO THE WALL. THESE WILL REQUIRE (2) SCREWS PER (1) ALUMINIUM TUBE

NOTE: AN ADDITIONAL ALUMINIUM TUBE NEEDS TO BE INSTALLED ABOVE THE WINDOW/DOOR EDGE. MAX DISTANCE FROM THE EDGE TO NEXT TUBE CENTRE IS 150mm [5.9"]



ZINTRA STICKS

STICKS TRIMS

INSTALLATION INSTRUCTIONS

STEP 3

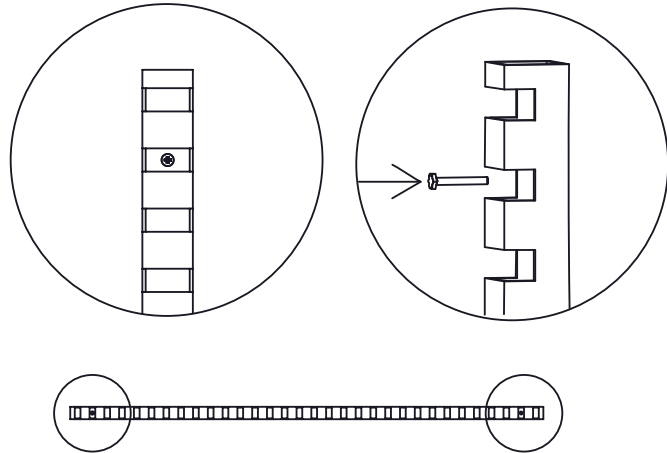
DRILL HOLES IN ALUMINIUM TUBES IN LOCATIONS TO SUIT SUPPORT IN WALL (STUD LOCATION ETC)

SCREW ALUMINIUM TUBES TO WALL

DRYWALL SURFACE: USE DRYWALL ANCHOR AND SUITABLE SCREW

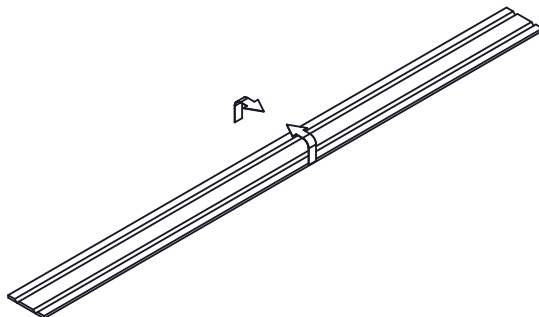
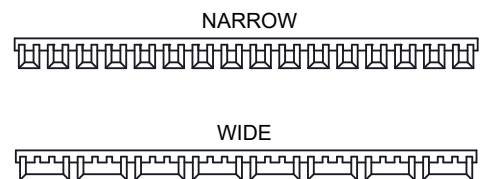
TIMBER SURFACE: USE SELF TAPPING TIMBER SCREW

MASONARY SURFACE: USE MASONARY ANCHOR AND SUITABLE SCREW

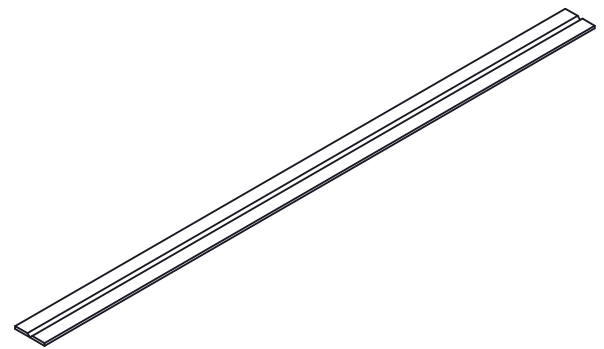


STEP 4

FOLD ZINTRA STICKS (8) FOR WIDE OR (16) FOR NARROW PER SET



STICK



STICK - TRIM

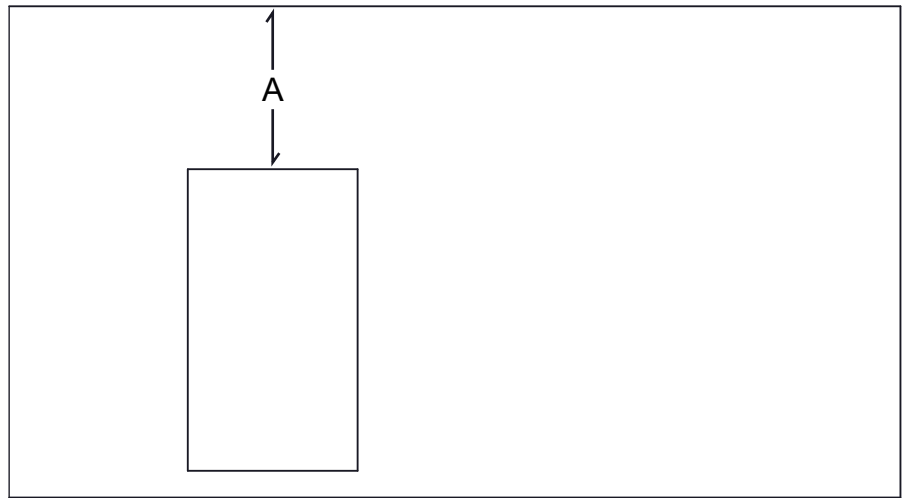
ZINTRA STICKS

STICKS TRIM

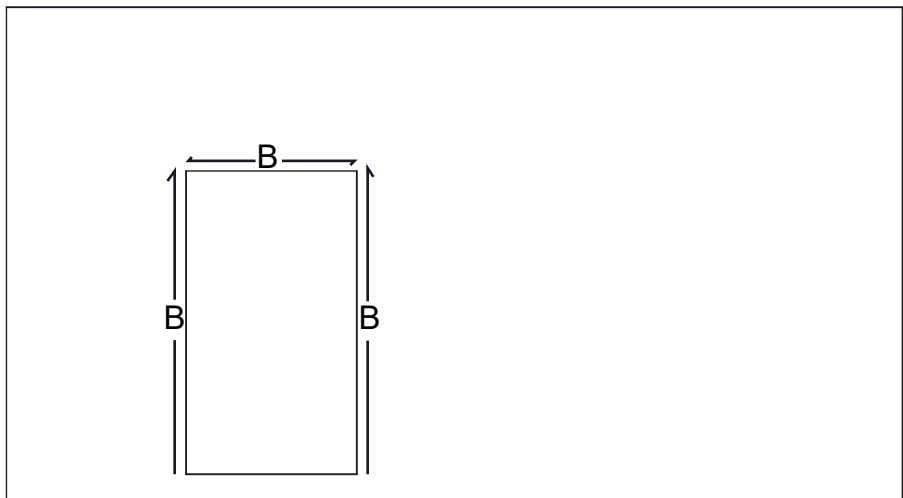
INSTALLATION INSTRUCTIONS

STEP 5

CUT STICK TO FIT FROM CEILING TO EDGE OF WINDOW/DOOR (DIMENSION A) SHOWN BELOW



CUT TRIMS TO FIT FROM CEILING TO EDGE OF WINDOW/DOOR (DIMENSION B) SHOWN BELOW



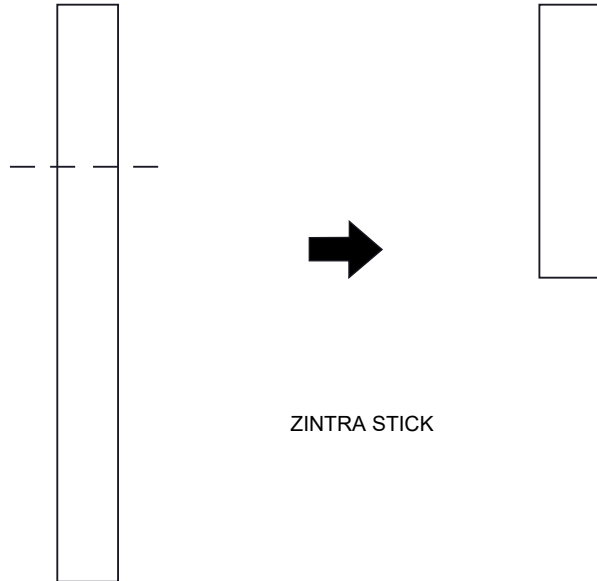
ZINTRA STICKS

STICKS TRIM

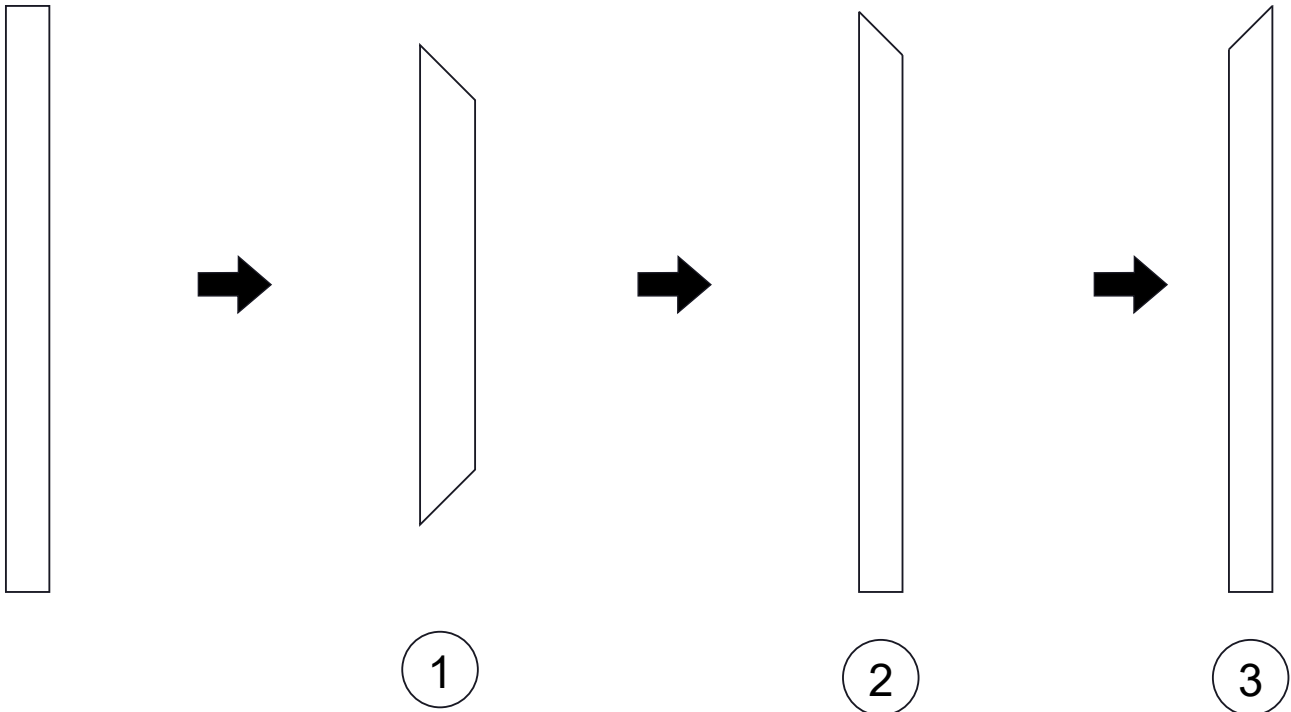
INSTALLATION INSTRUCTIONS

STEP 6

USE THE DROP SAW TO CUT ZINTRA STICKS
AND STICKS TRIM TO DIMENSIONS MEASURED
IN STEP 6



CUT STICKS TRIM AT 45 DEGREE ANGLES



STICKS TRIM VARIATIONS

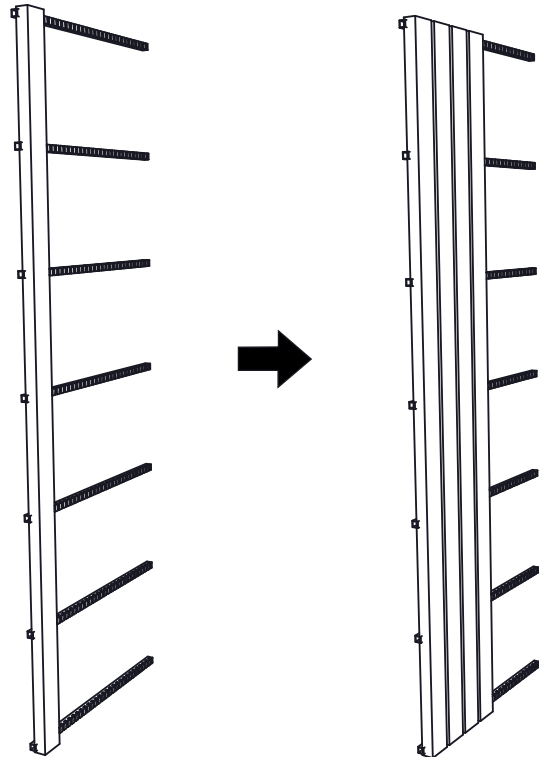
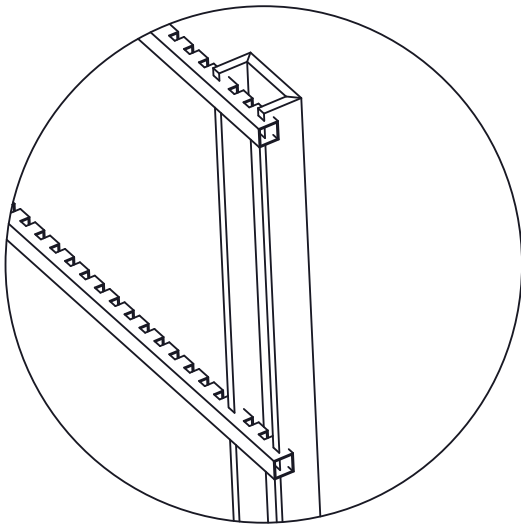
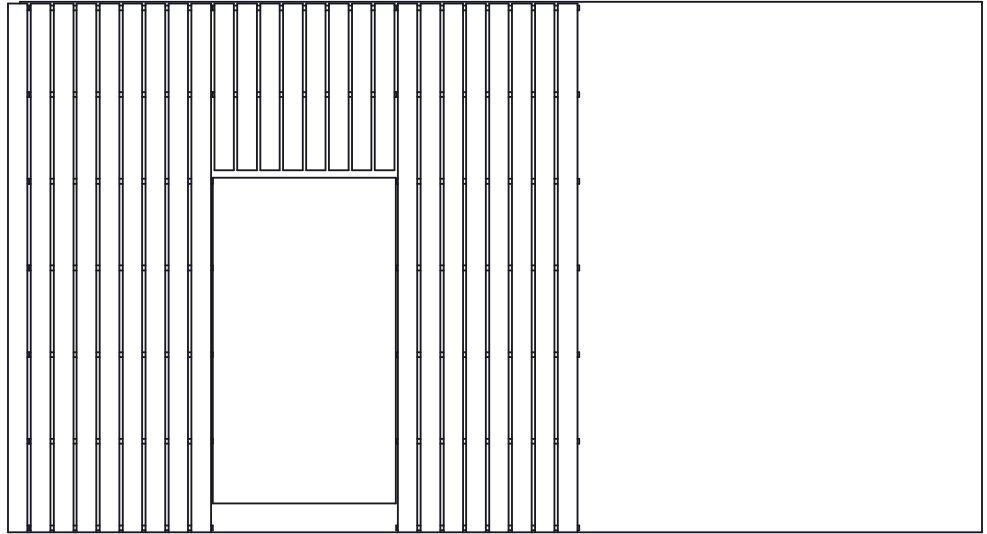
ZINTRA STICKS

STICKS TRIM

INSTALLATION INSTRUCTIONS

STEP 7

INSERT ZINTRA STICKS INTO ALUMINIUM NOTCHES AS SHOWN



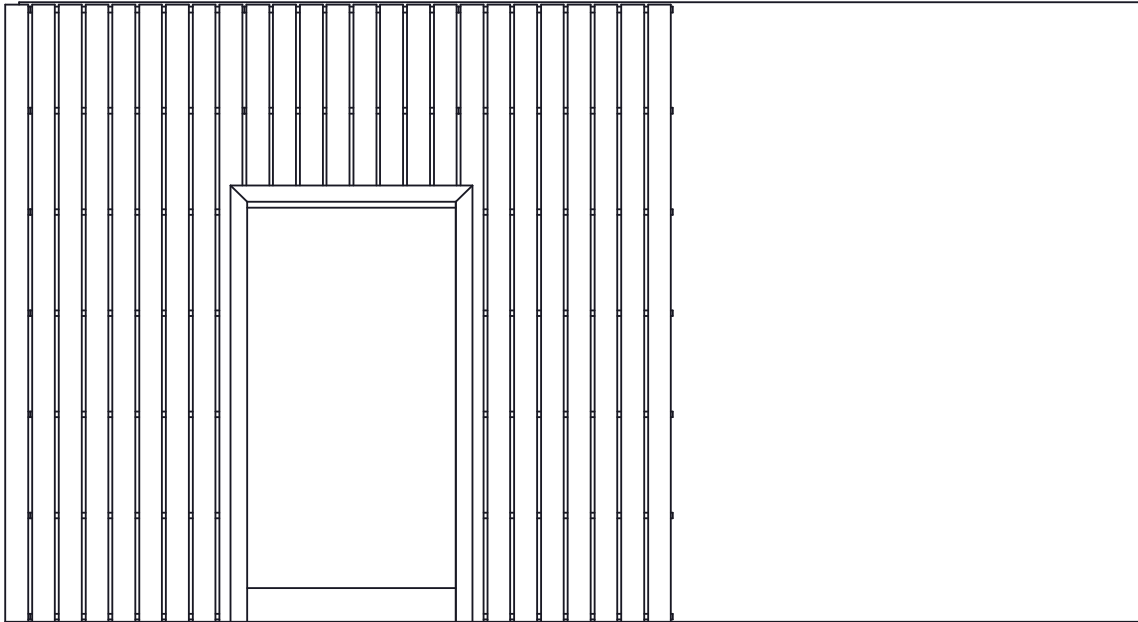
ZINTRA STICKS

STICKS TRIM

INSTALLATION INSTRUCTIONS

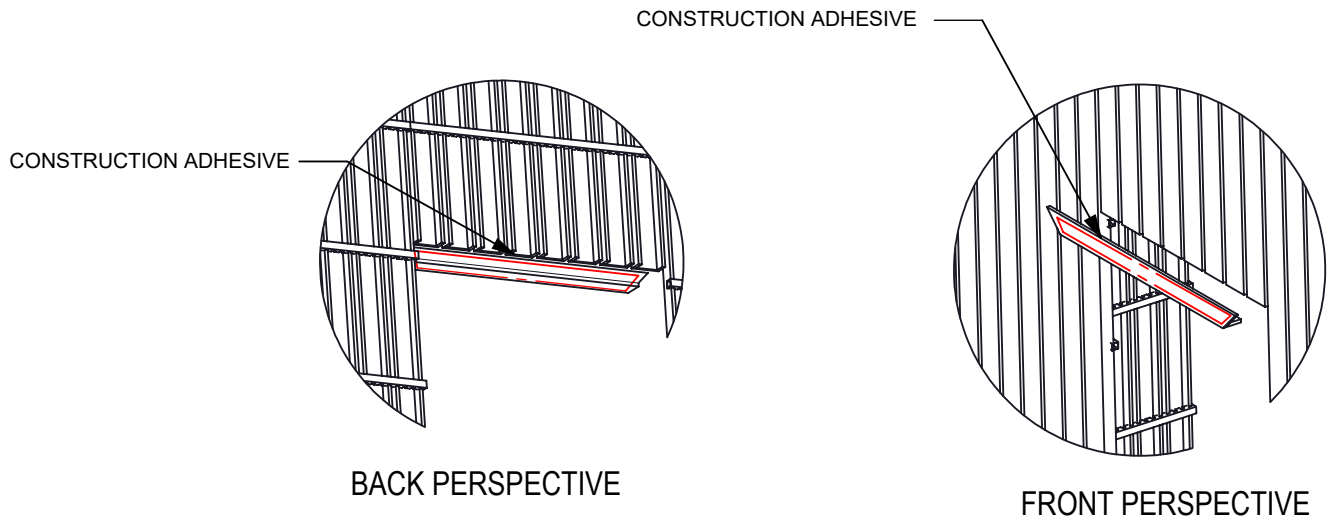
STEP 8

DRY FIT STICKS TRIM TO ENSURE
A GOOD FIT



STEP 9

APPLY CONSTRUCTION ADHESIVE TO INSIDE OF
STICKS TRIM. THEN STICK TO ZINTRA STICKS
THAT ARE ALREADY INSTALLED



ZINTRA STICKS

STICKS TRIM

INSTALLATION INSTRUCTIONS

FINISHED INSTALL

