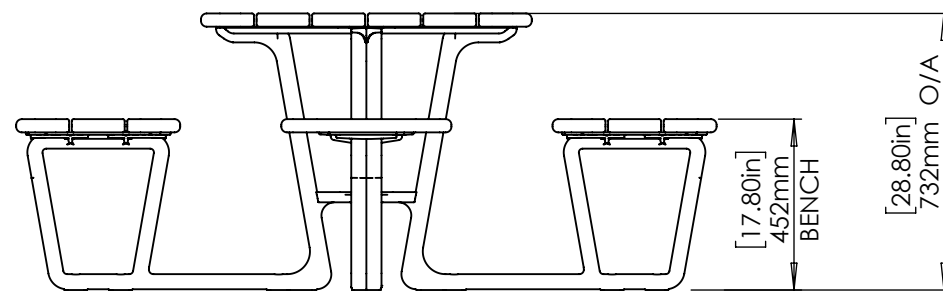
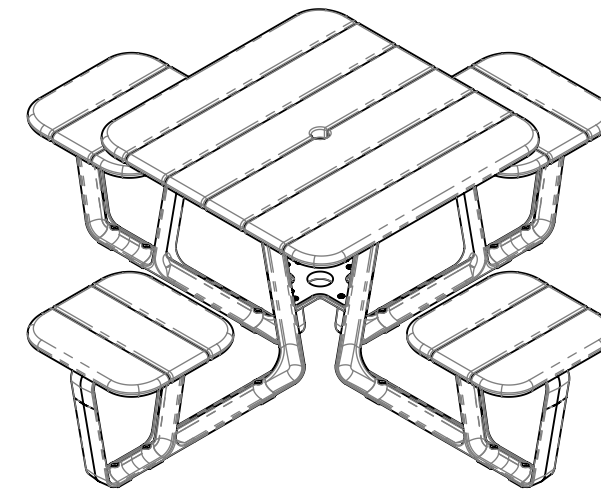


TOP VIEW



FRONT VIEW



ISOMETRIC VIEW

REV.	DESCRIPTION	DATE	APPROVED
-	-	-	-

REVISIONS

botton + gardiner

ABN 39 097 110 846
53-55 Whiting St Artarmon NSW 2064
ph 1300 762 701 fax 1300 762 703

COLLECTION
CONTOUR
PRODUCT
CAROUSEL
DESCRIPTION
SQUARE - HARDWOOD

SKU: BG.CONT.CAR.SQ.HW

REVISION #:

DATE DRAWN
2/05/2024

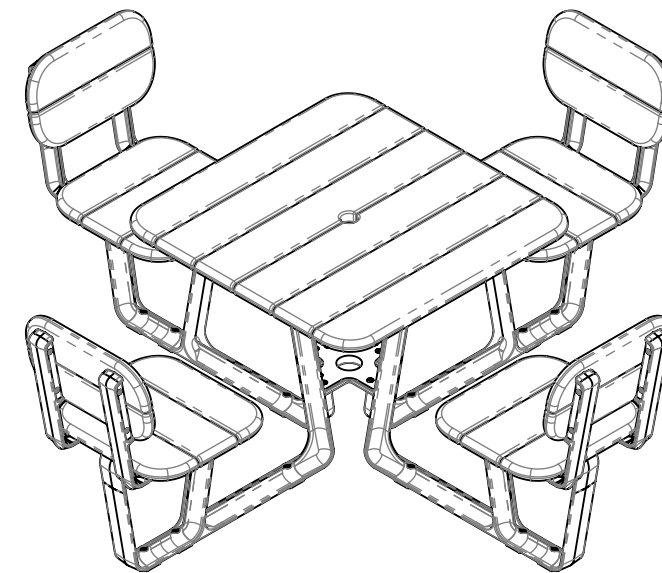
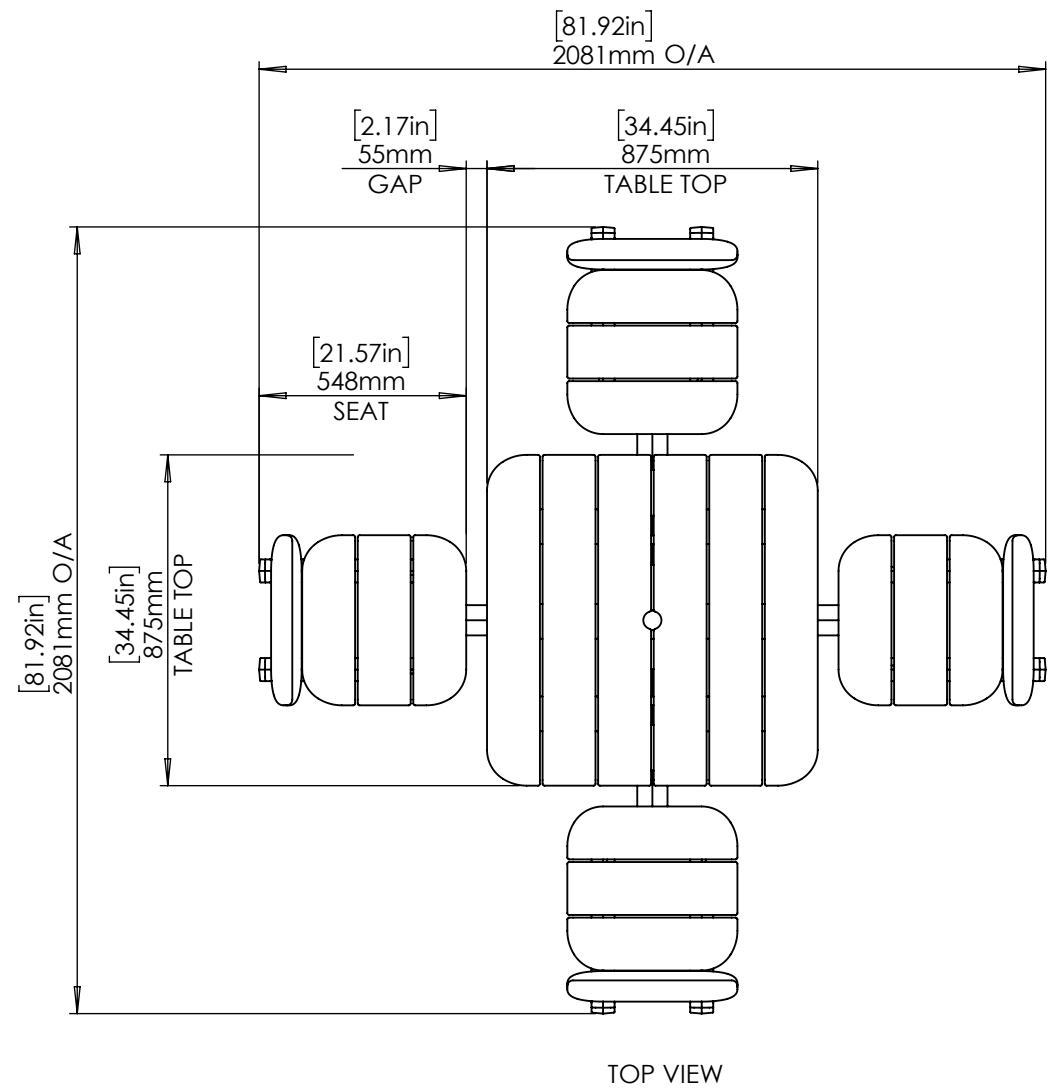
SCALE 1:20
SHEET SIZE **A3**

FILE
BG3_SOL_Carousel

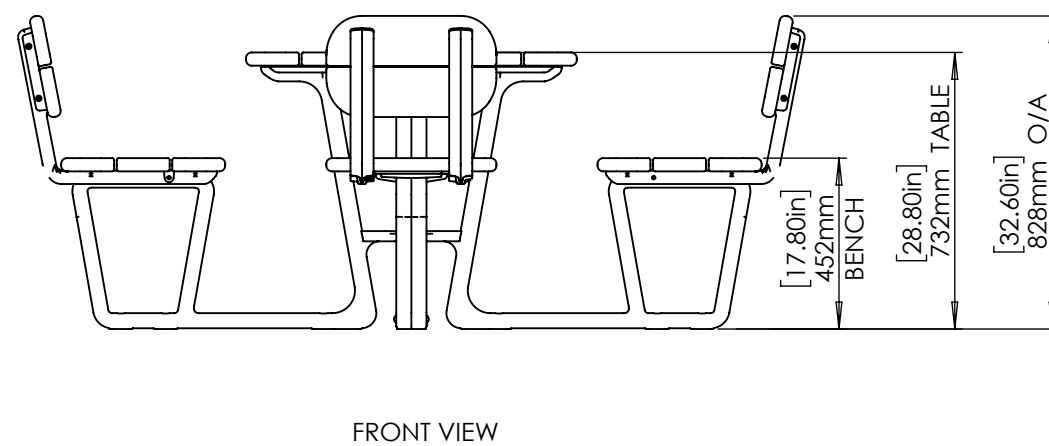
TITLE
SQ HW

DRAWN BY

© botton + gardiner urban furniture pty limited
BOTTON & GARDINER URBAN FURNITURE PTY LIMITED IS THE AUTHOR OF THIS DRAWING AND
RETAINS THE RIGHT TO ITS REPRODUCTION & DISTRIBUTION.
THIS DRAWING IS NOT TO BE REPRODUCED OR DISTRIBUTED WITHOUT CONSENT OF ITS AUTHOR.



ISOMETRIC VIEW



REV.	DESCRIPTION	DATE	APPROVED
-	-	-	-

REVISIONS

botton + gardiner

ABN 39 097 110 846
53-55 Whiting St Artarmon NSW 2064
ph 1300 762 701 fax 1300 762 703

COLLECTION
CONTOUR
PRODUCT
CAROUSEL
DESCRIPTION
**SQUARE WITH BACKREST -
HARDWOOD**

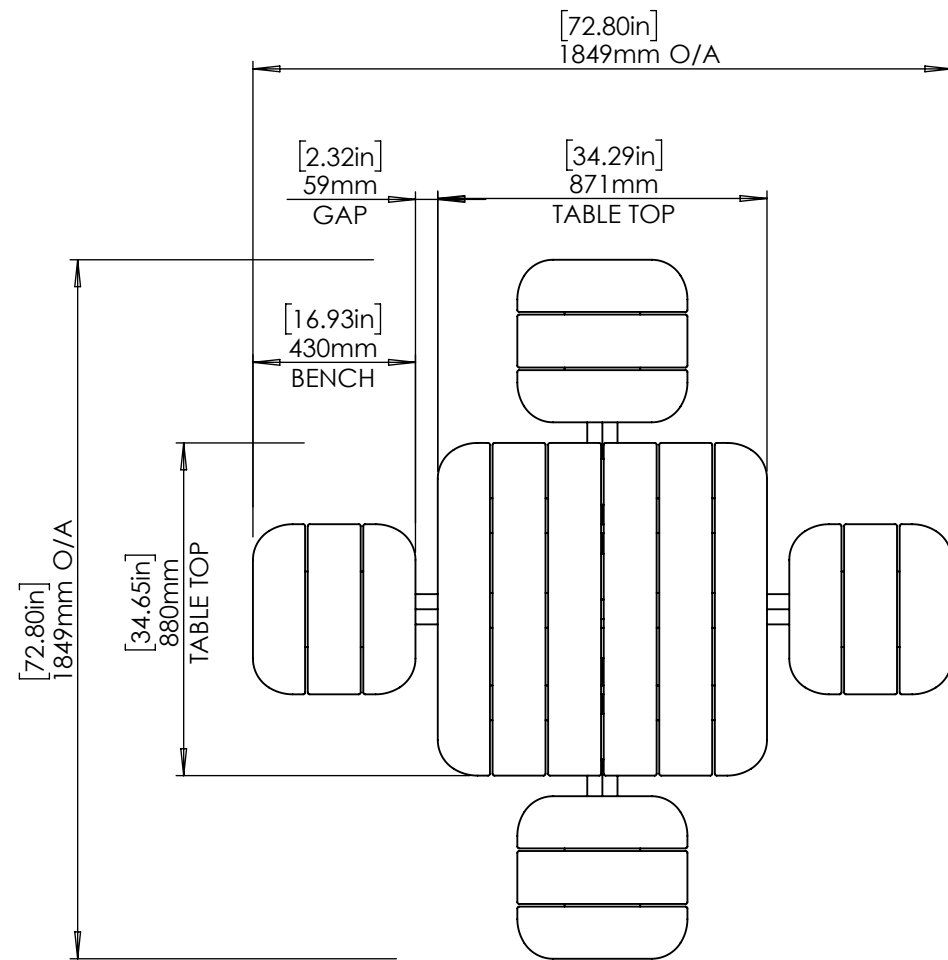
SKU: BG.CONT.CAR.SQ.BR.HW REVISION #:

DATE DRAWN
2/05/2024 SCALE 1:20
SHEET SIZE **A3**

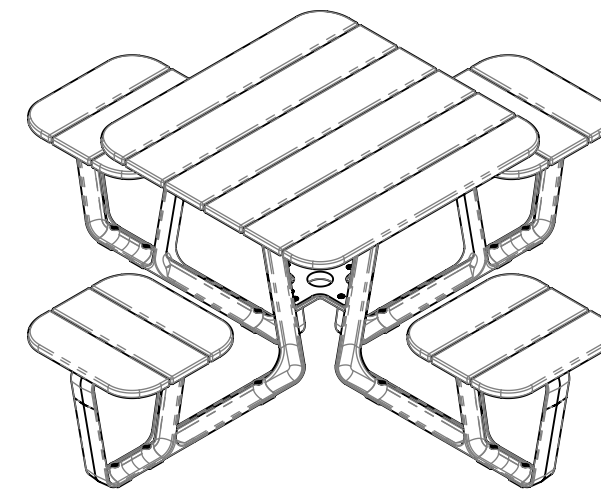
FILE
BG3_SOL_Carousel TITLE
SQ HW BR

DRAWN BY

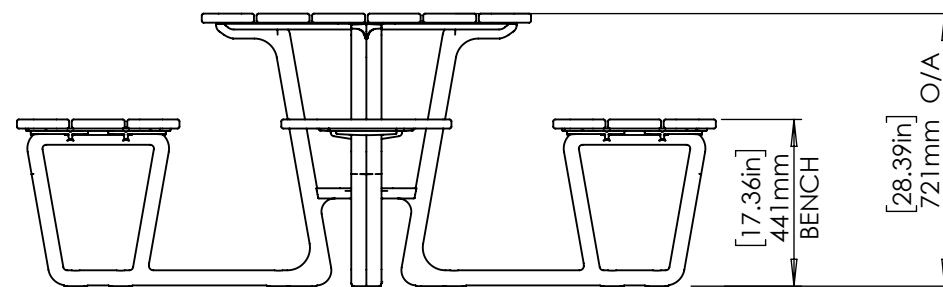
© botton & gardiner urban furniture pty limited
BOTTON & GARDINER URBAN FURNITURE PTY LIMITED IS THE AUTHOR OF THIS DRAWING AND
RETAINS THE RIGHT TO ITS REPRODUCTION & DISTRIBUTION.
THIS DRAWING IS NOT TO BE REPRODUCED OR DISTRIBUTED WITHOUT CONSENT OF ITS AUTHOR.



TOP VIEW



ISOMETRIC VIEW



FRONT VIEW

REV.	DESCRIPTION	DATE	APPROVED
-	-	-	-

REVISIONS

botton + gardiner

ABN 39 097 110 846
53-55 Whiting St Artarmon NSW 2064
ph 1300 762 701 fax 1300 762 703

COLLECTION
CONTOUR
PRODUCT
CAROUSEL
DESCRIPTION
SQUARE - DURASLAT

SKU: BG.CONT.CAR.SQ.DS

REVISION #:

DATE DRAWN
2/05/2024

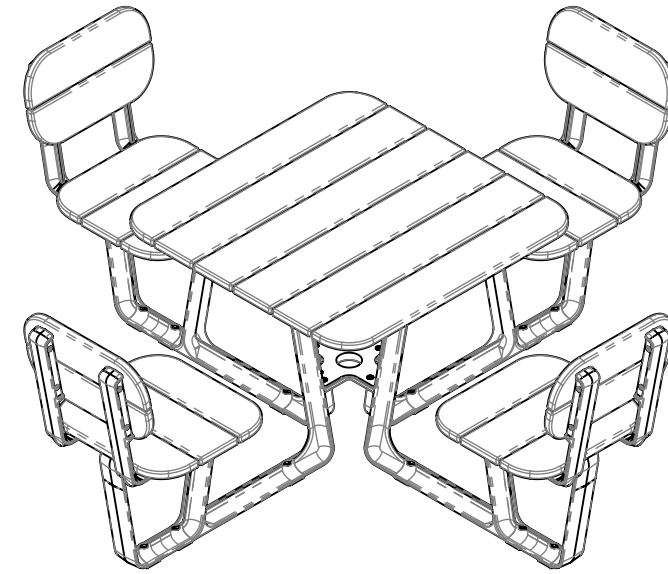
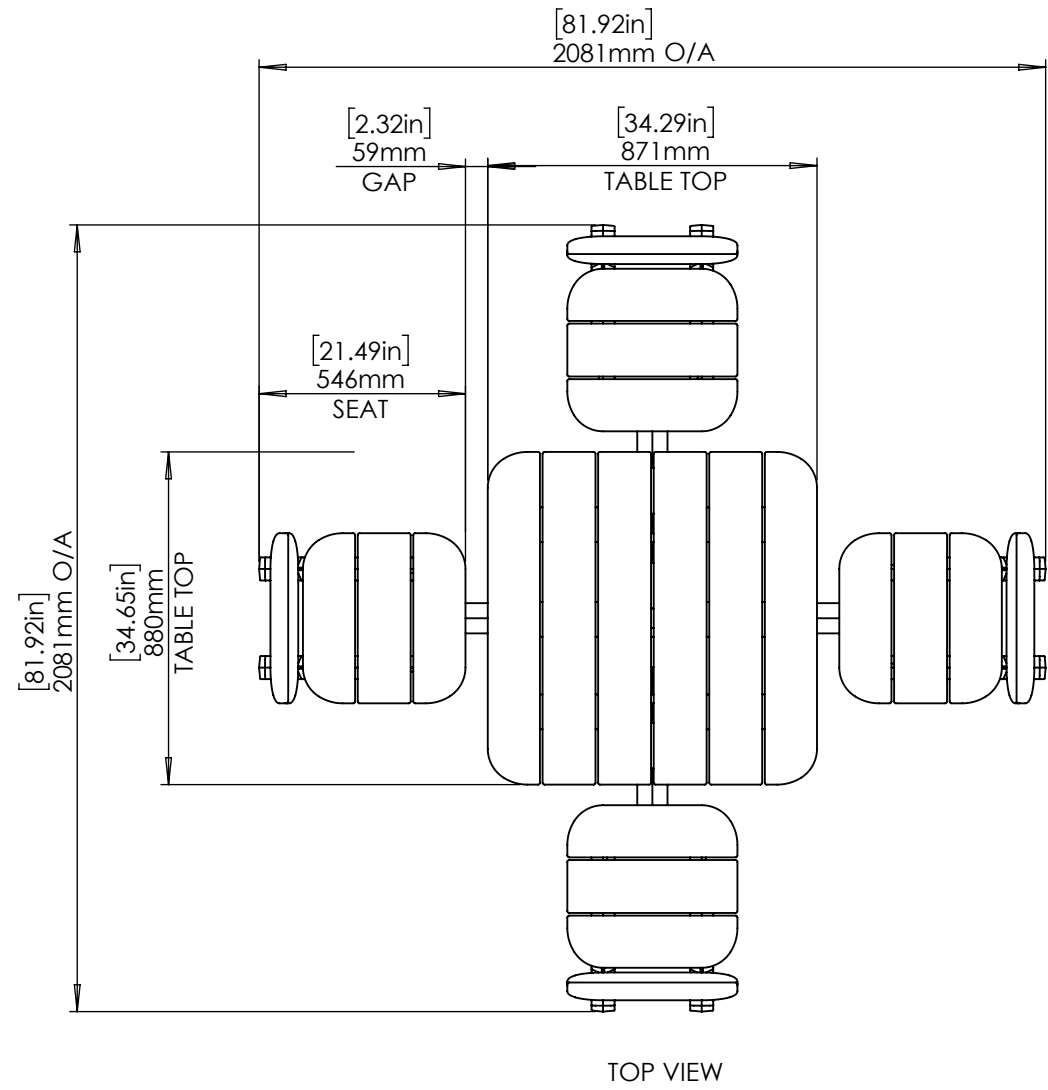
SCALE 1:20
SHEET SIZE **A3**

FILE
BG3_SOL_Carousel

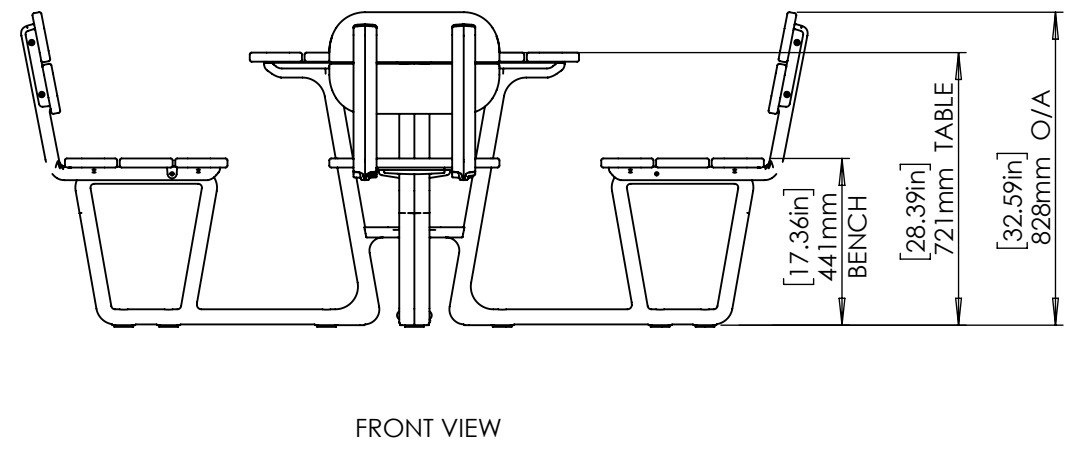
TITLE
SQ DS

DRAWN BY

© botton + gardiner urban furniture pty limited
BOTTON & GARDINER URBAN FURNITURE PTY LIMITED IS THE AUTHOR OF THIS DRAWING AND
RETAINS THE RIGHT TO ITS REPRODUCTION & DISTRIBUTION.
THIS DRAWING IS NOT TO BE REPRODUCED OR DISTRIBUTED WITHOUT CONSENT OF ITS AUTHOR.



ISOMETRIC VIEW



REV.	DESCRIPTION	DATE	APPROVED
-	-	-	-

botton + gardiner

ABN 39 097 110 846
53-55 Whiting St Artarmon NSW 2064
ph 1300 762 701 fax 1300 762 703

COLLECTION
CONTOUR
PRODUCT
CAROUSEL
DESCRIPTION
**SQUARE WITH BACKREST -
DURASLAT**

SKU: BG.CONT.CAR.SQ.BR.DS

REVISION #:

DATE DRAWN
2/05/2024

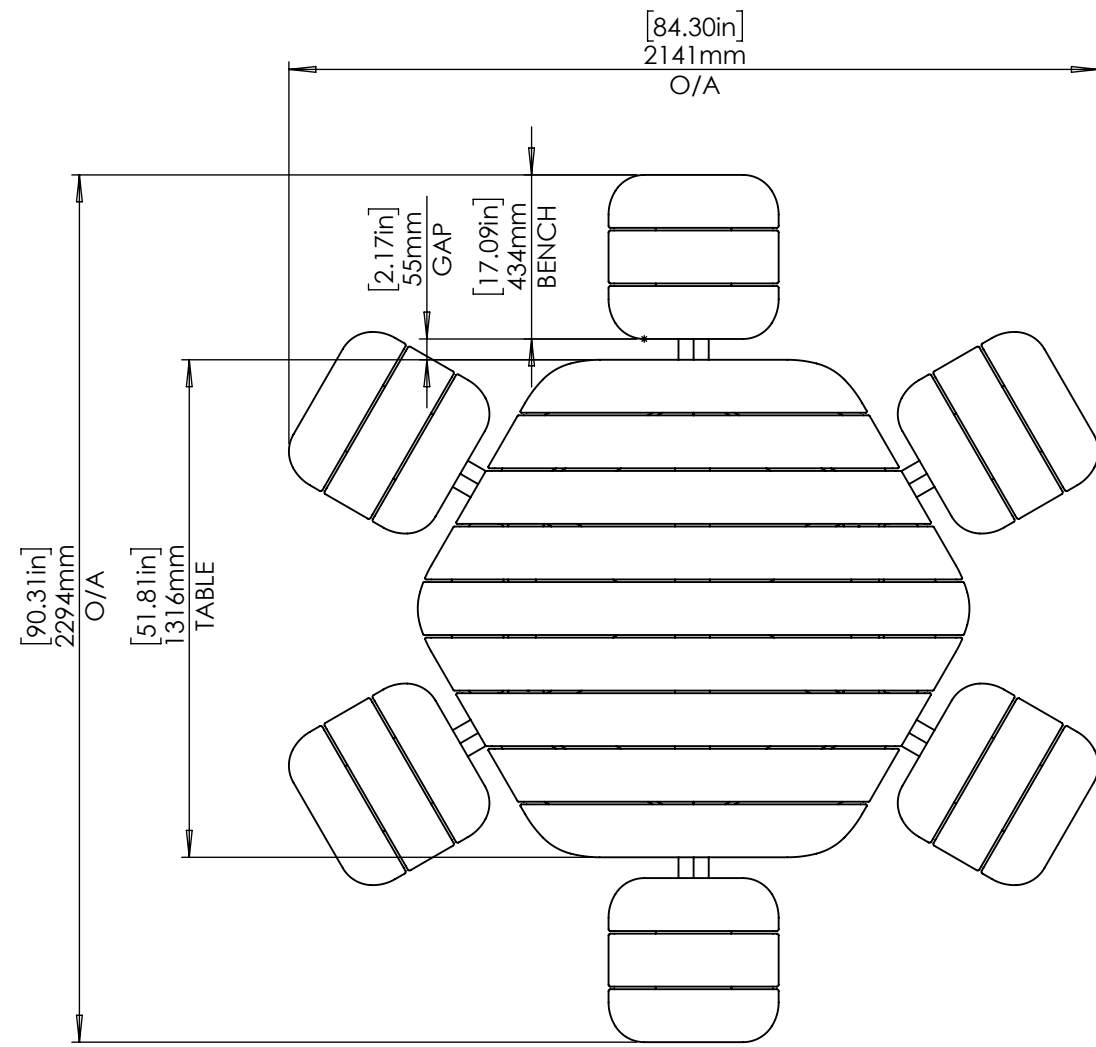
SCALE 1:20
SHEET SIZE **A3**

FILE
BG3_SOL_Carousel

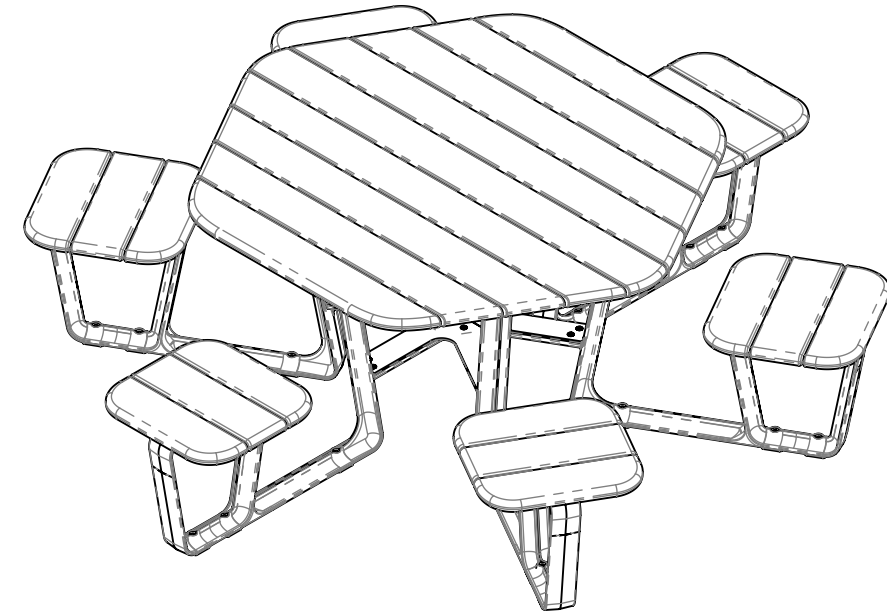
TITLE
SQ DS BR

DRAWN BY

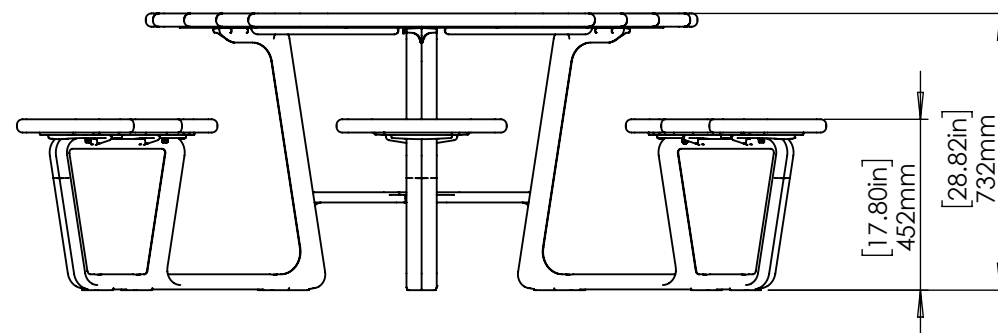
© botton & gardiner urban furniture pty limited
BOTTON & GARDINER URBAN FURNITURE PTY LIMITED IS THE AUTHOR OF THIS DRAWING AND
RETAINS THE RIGHT TO ITS REPRODUCTION & DISTRIBUTION.
THIS DRAWING IS NOT TO BE REPRODUCED OR DISTRIBUTED WITHOUT CONSENT OF ITS AUTHOR.



TOP VIEW



ISOMETRIC VIEW



FRONT VIEW

REV.	DESCRIPTION	DATE	APPROVED
-	-	-	-

REVISIONS

botton + gardiner

ABN 39 097 110 846
53-55 Whiting St Artarmon NSW 2064
ph 1300 762 701 fax 1300 762 703

COLLECTION
CONTOUR
PRODUCT
CAROUSEL
DESCRIPTION
HEXAGON - HARDWOOD

SKU: BG.CONT.CAR.HX.HW

REVISION #:

DATE DRAWN
2/05/2024

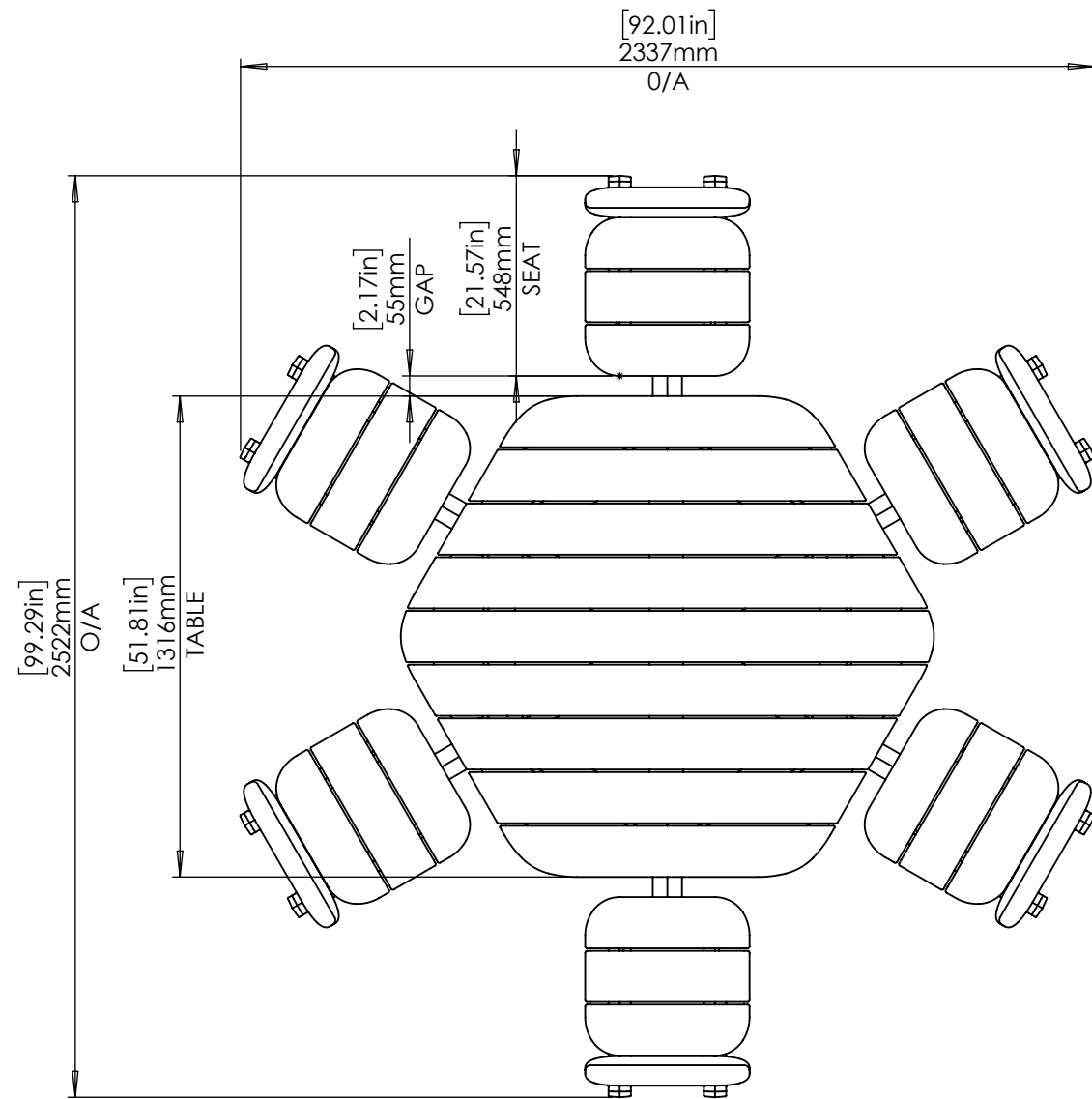
SCALE 1:20
SHEET SIZE **A3**

FILE
BG3_SOL_Carousel

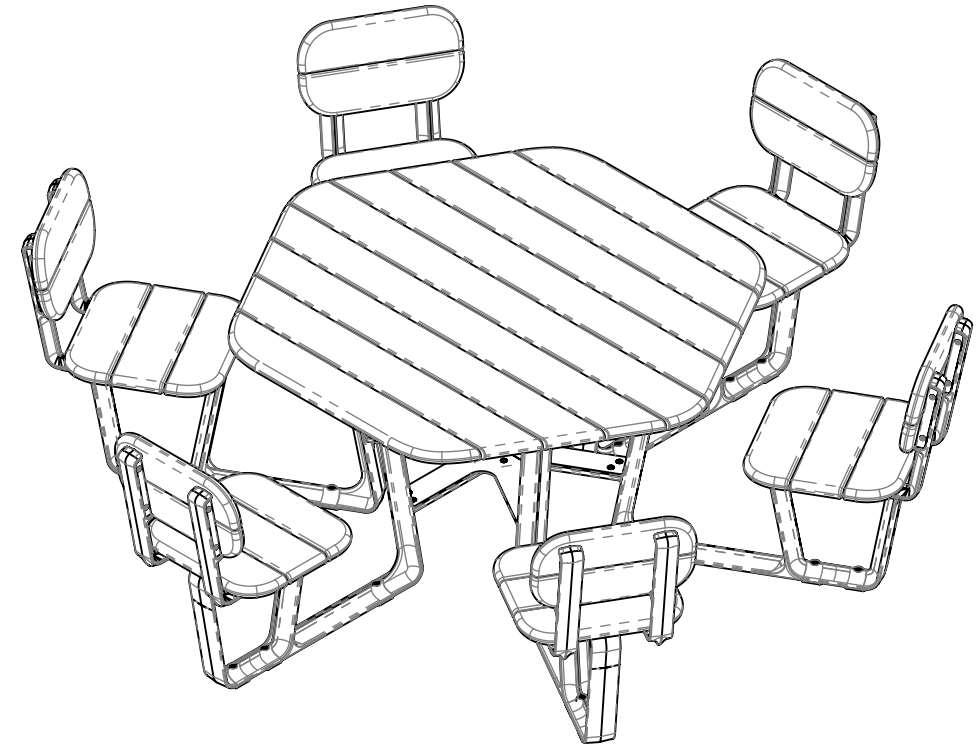
TITLE
HX HW

DRAWN BY

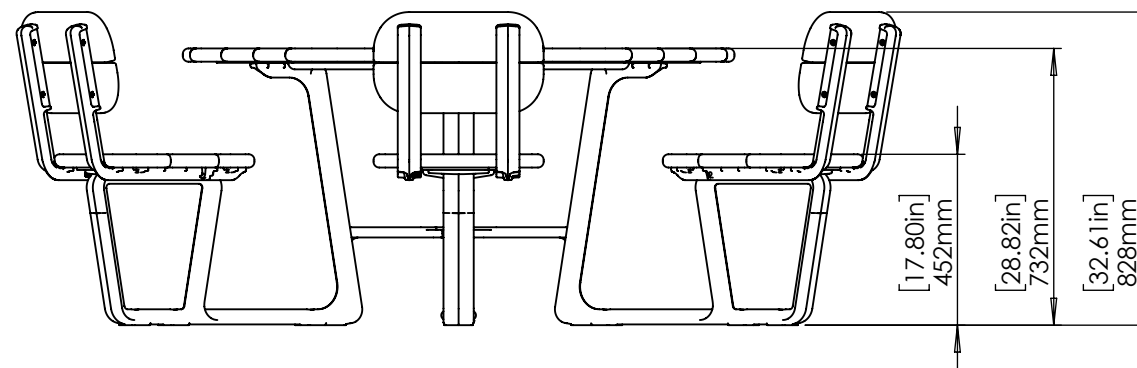
© botton + gardiner urban furniture pty limited
BOTTON & GARDINER URBAN FURNITURE PTY LIMITED IS THE AUTHOR OF THIS DRAWING AND
RETAINS THE RIGHT TO ITS REPRODUCTION & DISTRIBUTION.
THIS DRAWING IS NOT TO BE REPRODUCED OR DISTRIBUTED WITHOUT CONSENT OF ITS AUTHOR.



TOP VIEW



ISOMETRIC VIEW



FRONT VIEW

REV.	DESCRIPTION	DATE	APPROVED
-	-	-	-

REVISIONS

botton + gardiner

ABN 39 097 110 846
53-55 Whiting St Artarmon NSW 2064
ph 1300 762 701 fax 1300 762 703

COLLECTION
CONTOUR
PRODUCT
CAROUSEL
DESCRIPTION
**HEXAGON WITH BACKREST -
HARDWOOD**

SKU: BG.CONT.CAR.HX.BR.HW

REVISION #:

DATE DRAWN
2/05/2024

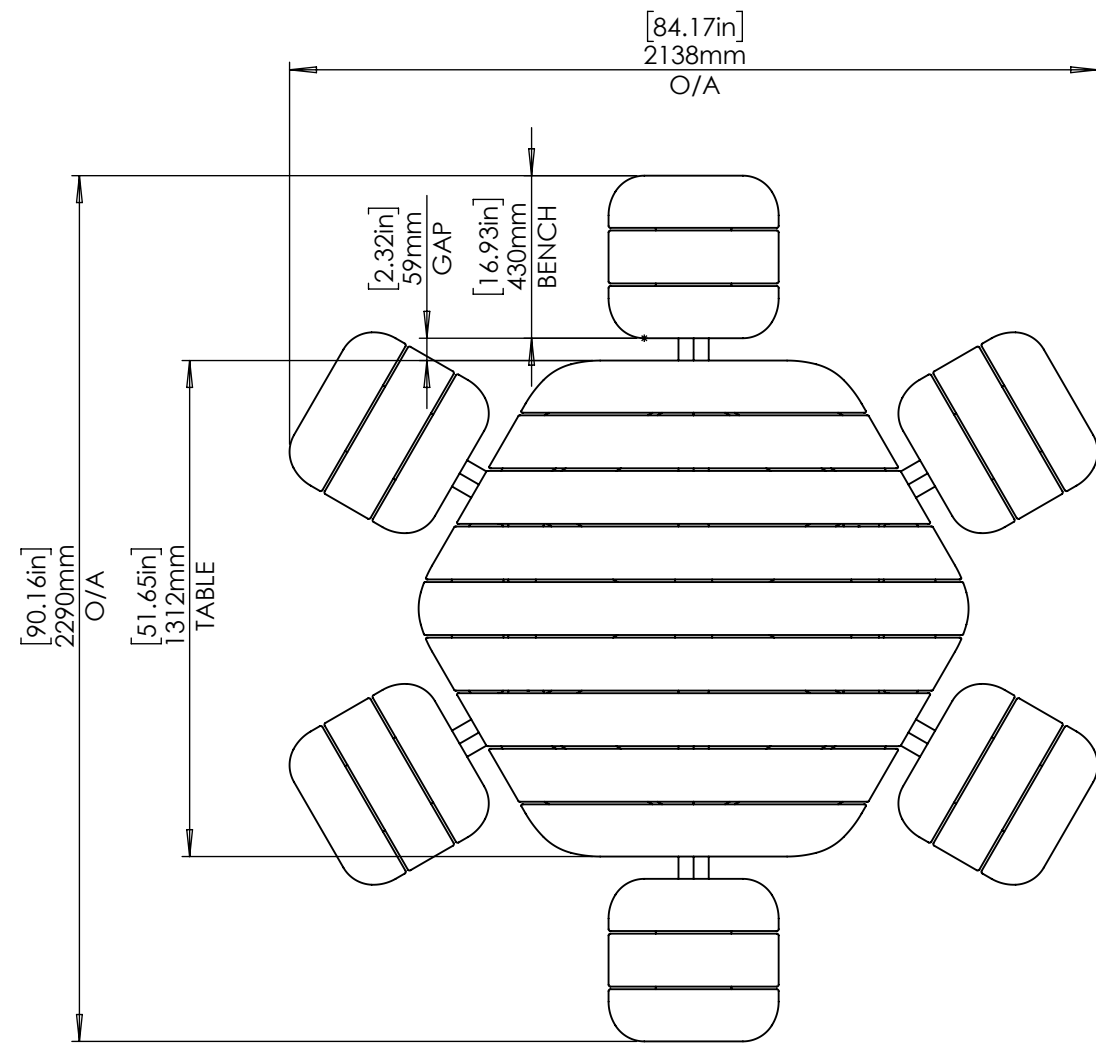
SCALE 1:20
SHEET SIZE **A3**

FILE
BG3_SOL_Carousel

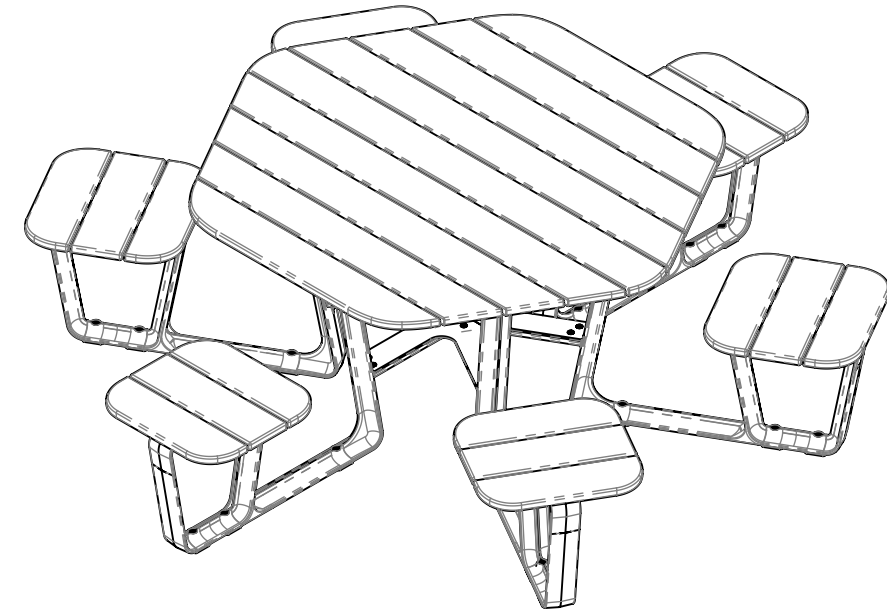
TITLE
HX HW BR

DRAWN BY

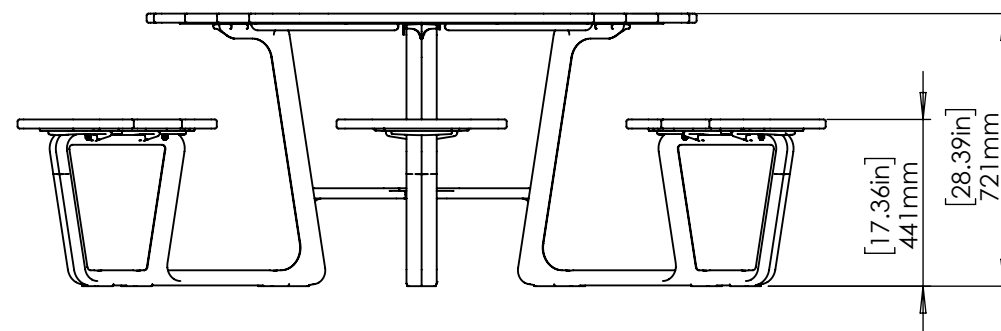
© botton + gardiner urban furniture pty limited
BOTTON & GARDINER URBAN FURNITURE PTY LIMITED IS THE AUTHOR OF THIS DRAWING AND
RETAINS THE RIGHT TO ITS REPRODUCTION & DISTRIBUTION.
THIS DRAWING IS NOT TO BE REPRODUCED OR DISTRIBUTED WITHOUT CONSENT OF ITS AUTHOR.



TOP VIEW



ISOMETRIC VIEW



FRONT VIEW

REV.	DESCRIPTION	DATE	APPROVED
-	-	-	-

REVISIONS

botton + gardiner

ABN 39 097 110 846
53-55 Whiting St Artarmon NSW 2064
ph 1300 762 701 fax 1300 762 703

COLLECTION
CONTOUR
PRODUCT
CAROUSEL
DESCRIPTION
HEXAGON - DURASLAT

SKU: BG.CONT.CAR.HX.DS

REVISION #:

DATE DRAWN
2/05/2024

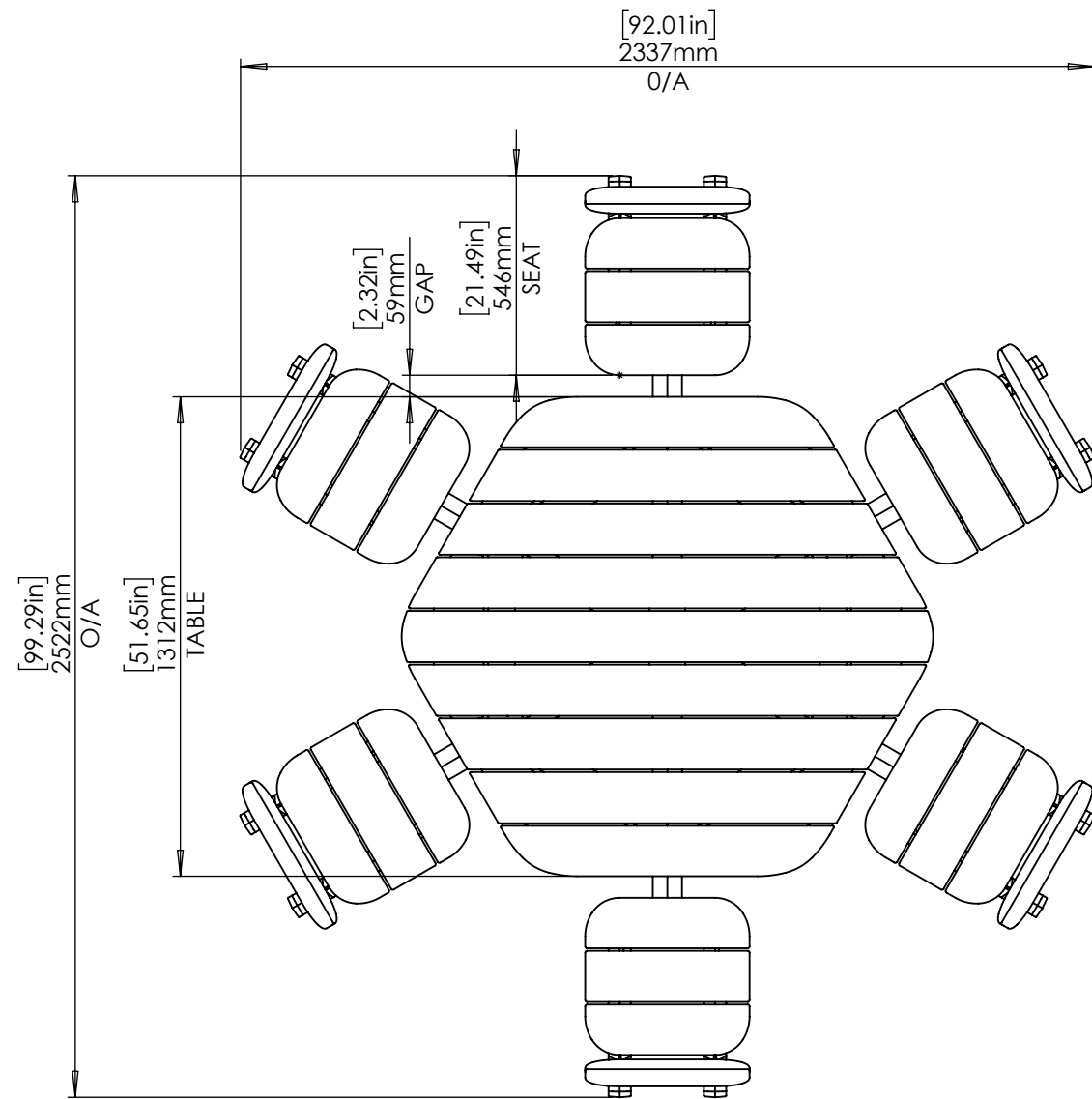
SCALE 1:20
SHEET SIZE **A3**

FILE
BG3_SOL_Carousel

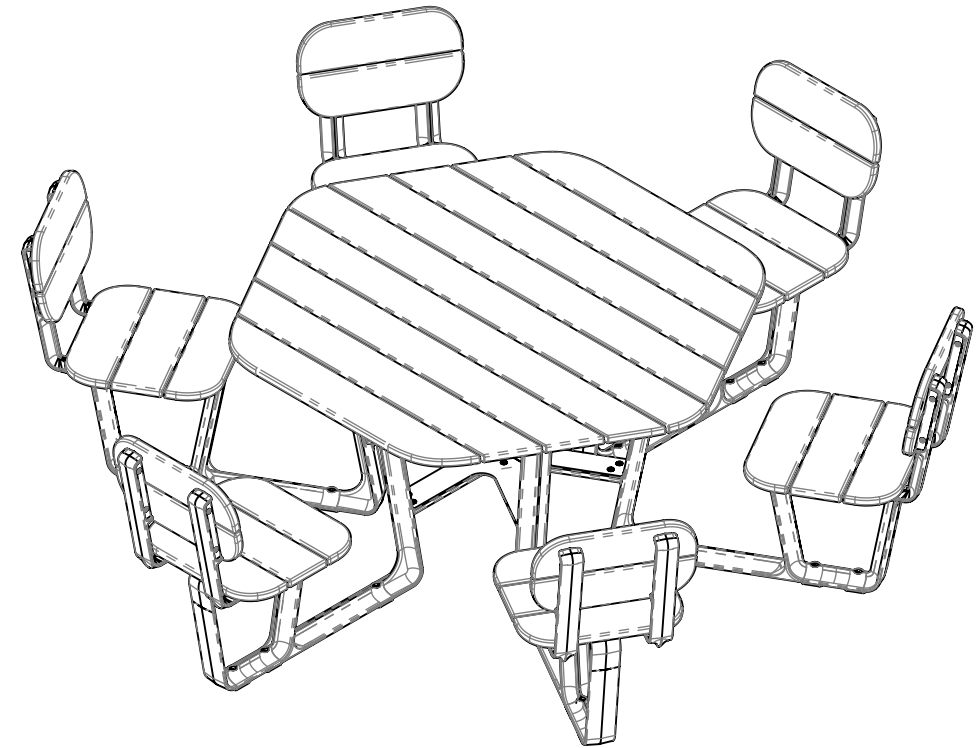
TITLE
HX DS

DRAWN BY

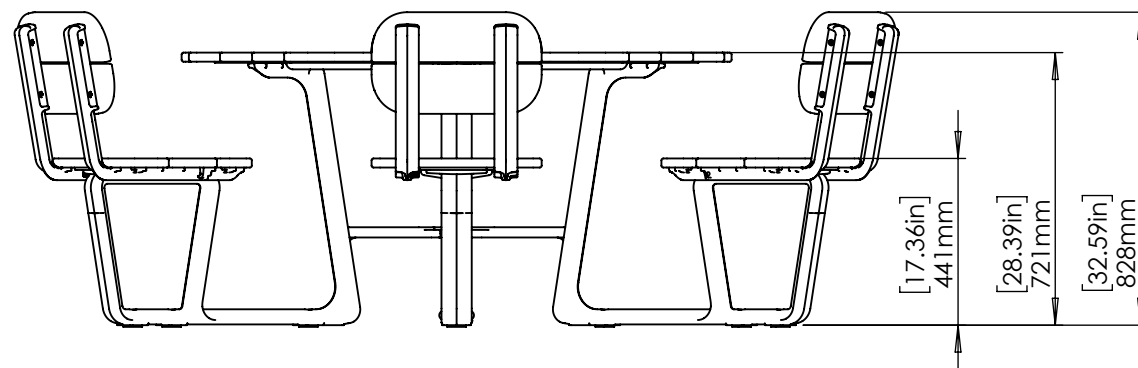
© botton + gardiner urban furniture pty limited
BOTTON & GARDINER URBAN FURNITURE PTY LIMITED IS THE AUTHOR OF THIS DRAWING AND
RETAINS THE RIGHT TO ITS REPRODUCTION & DISTRIBUTION.
THIS DRAWING IS NOT TO BE REPRODUCED OR DISTRIBUTED WITHOUT CONSENT OF ITS AUTHOR.



TOP VIEW



ISOMETRIC VIEW



FRONT VIEW

REV.	DESCRIPTION	DATE	APPROVED
-	-	-	-

REVISIONS

botton + gardiner

ABN 39 097 110 846
53-55 Whiting St Artarmon NSW 2064
ph 1300 762 701 fax 1300 762 703

COLLECTION
CONTOUR
PRODUCT
CAROUSEL
DESCRIPTION
**HEXAGON WITH BACKREST -
DURASLAT**

SKU: BG.CONT.CAR.HX.BR.DS

REVISION #:

DATE DRAWN
2/05/2024

SCALE 1:20
SHEET SIZE **A3**

FILE
BG3_SOL_Carousel

TITLE
HX DS BR

DRAWN BY

© botton + gardiner urban furniture pty limited
BOTTON & GARDINER URBAN FURNITURE PTY LIMITED IS THE AUTHOR OF THIS DRAWING AND
RETAINS THE RIGHT TO ITS REPRODUCTION & DISTRIBUTION.
THIS DRAWING IS NOT TO BE REPRODUCED OR DISTRIBUTED WITHOUT CONSENT OF ITS AUTHOR.