



+ contour

botton + gardiner







about us

Botton + Gardiner has been designing and manufacturing commercial furniture that fosters inclusive and cohesive public spaces for almost 30 years.

Embedded in our core values is our commitment to quality, durability and community.

We take pride in crafting our collections locally, overseeing every aspect of design, engineering and manufacturing with meticulous attention to detail.



**commercial furniture
crafted for durability
and functionality**



**global reach,
local expertise**



**made-to-order,
collaborative
partnerships**



**committed to accessible
and inclusive design**



**sustainable solutions
for a better tomorrow**



+ contents

6 100% locally-made

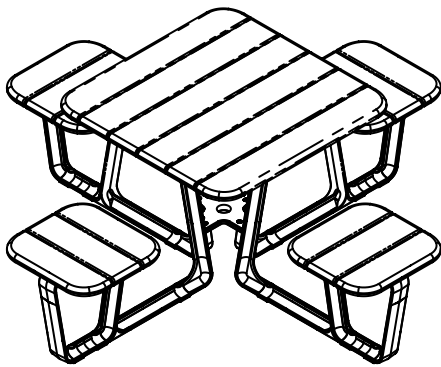
9 waste not, want not

10 contour collection

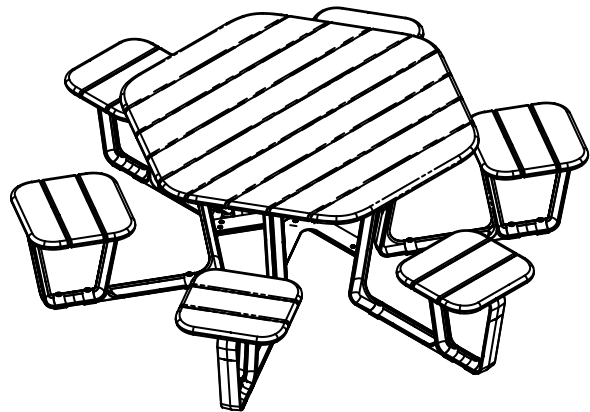
12 concept to delivery

14 collaborative furniture

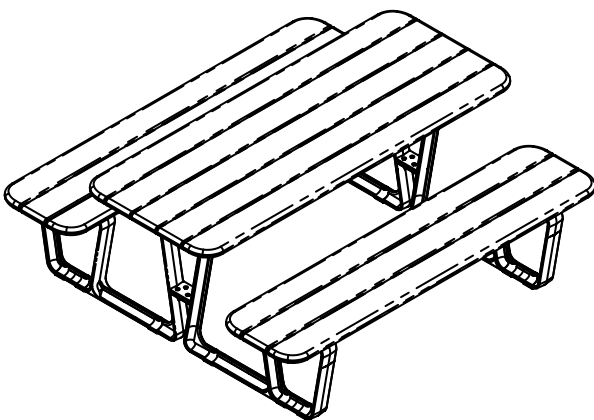
32 sizes



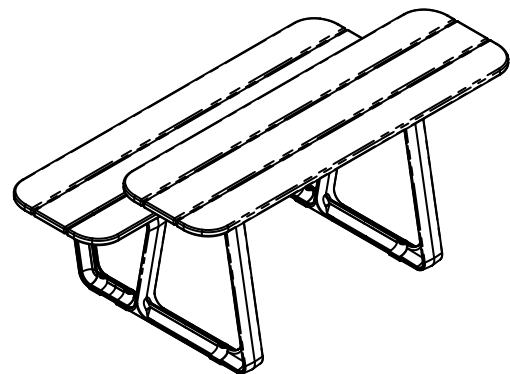
17
carousel square



21
carousel hexagon



25
all-in-one setting



29
all-in-one study

68 accessibility

80 fixing details

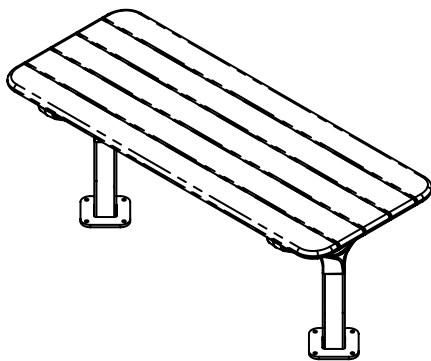
74 finishes

84 coordinates

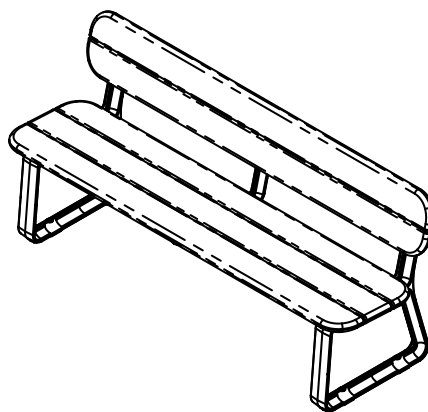
78 powdercoats

36 tables + seating

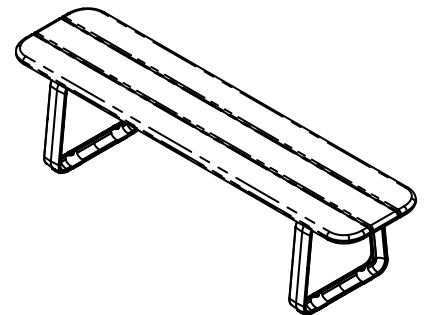
64 sizes



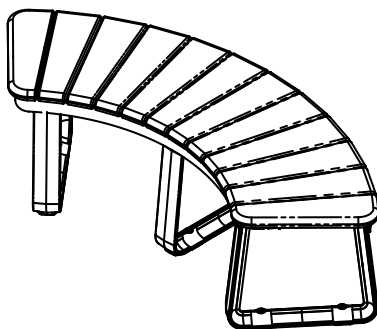
39
post table



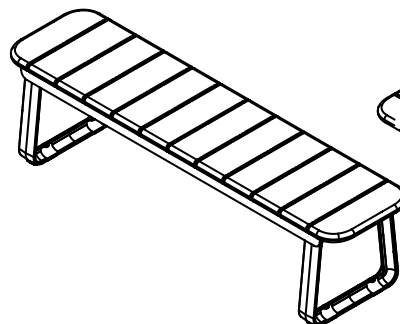
43
seat



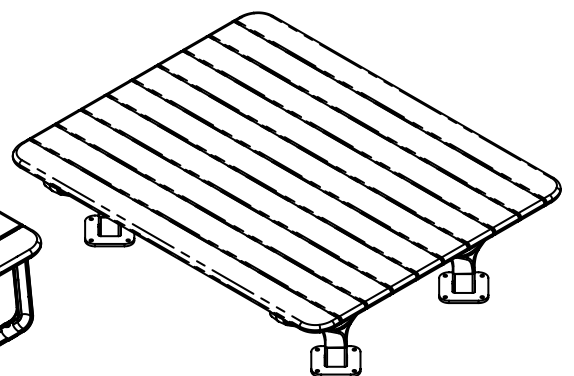
47
straight bench



51
curved bench



55
transverse bench



61
platform bench



contour collection





100% locally-made



superior quality from design to delivery

With an in-house team overseeing every aspect, we maintain full control over the design and development process, ensuring our products are dynamic and adaptable. Collaborations between clients, our designers and manufacturing teams guarantee solutions that meet our clients' specific requirements.



shortened lead times, reduced carbon footprint

High quality is paramount from manufacture through to delivery, all within shorter lead times. By manufacturing locally, we allocate more time for production and reduce delivery times, while also decreasing our reliance on carbon-intensive transportation.



enriching local communities

By choosing local sourcing, we aim to bolster the economies of nearby communities while fostering connections that enrich local businesses.







waste not, want not

We are committed to the international standards of sustainability – from design to disposal.



certified hardwood

Sustainable forestry management drives our hardwood selection process. Our Australian Eucalyptus hardwood is certified by the Program for the Endorsement of Forest Certification (PEFC), the world's largest forestry certification system.



material alternatives

We offer sustainable alternatives to hardwood, such as Duraslat™; a mineral-based composite material that contains no Volatile Organic Compounds (VOCs) and is engineered using up to 46% natural filler that is based on a renewable mineral.



recycled materials

We locally source our steel and our aluminium. It means we know it uses recycled content and is 100% recyclable.



low pollutants

Our powder-coating process doesn't emit VOCs and has Environmental Product Declarations (EPDS) that enable projects to qualify for LEED credits.



mindful manufacturing

Our local manufacturing minimises, sorts and responsibly disposes of physical and airborne waste material, while reducing carbon-intensive transportation.

+ contour collection

The Contour Collection redefines outdoor spaces with its contemporary range of commercial outdoor furniture.

Featuring fluid forms and soft, rounded shapes, Contour seamlessly unifies diverse environments while shaping their character. Whether it's accommodating small or large groups with interconnected seating and table settings or offering versatile individual pieces for multipurpose arrangements, Contour embodies harmonious design, enhancing comfort and aesthetic appeal wherever it's placed.

contour

noun: the shape of form





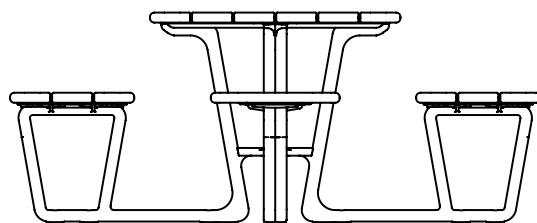
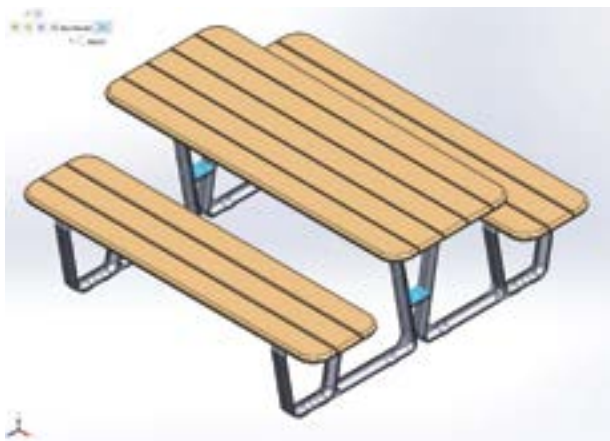
concept to delivery

Our expert Australian in-house design, engineering, and manufacturing, ensures superior quality at every step of production for the Contour Collection.

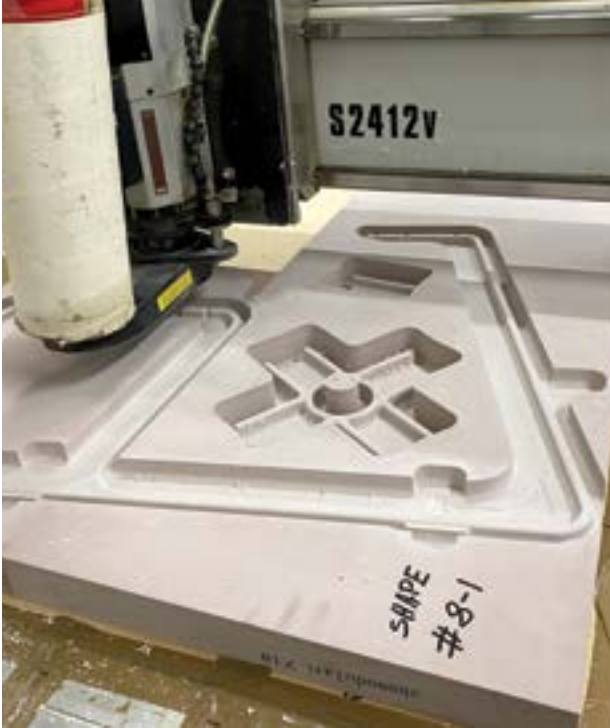
concept development



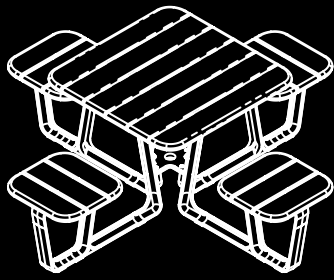
detailed design



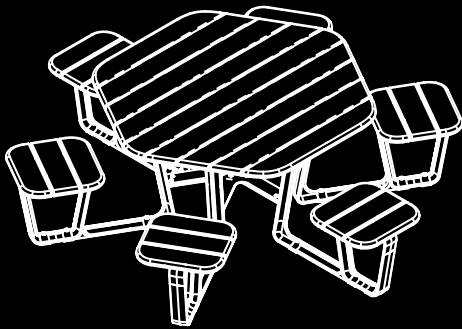
manufacturing



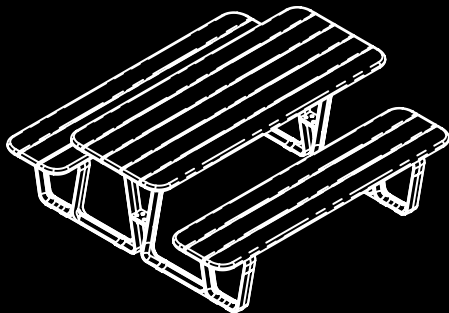
+ collaborative furniture



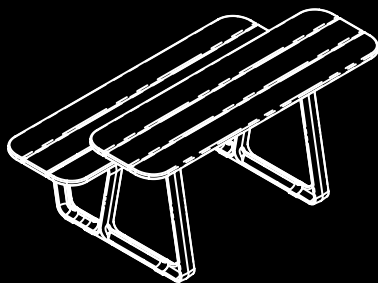
17
carousel
square



21
carousel
hexagon



25
all-in-one
setting



29
all-in-one
study





1. The water cycle

2. The water cycle

3. The water cycle

4. The water cycle

5. The water cycle

6. The water cycle

7. The water cycle

8. The water cycle

9. The water cycle

10. The water cycle

11. The water cycle

12. The water cycle

13. The water cycle

14. The water cycle

15. The water cycle

16. The water cycle

17. The water cycle

18. The water cycle

19. The water cycle

20. The water cycle

21. The water cycle

22. The water cycle

23. The water cycle

24. The water cycle

25. The water cycle

26. The water cycle

27. The water cycle

28. The water cycle

29. The water cycle

30. The water cycle

31. The water cycle

32. The water cycle

33. The water cycle

34. The water cycle

35. The water cycle

36. The water cycle

37. The water cycle

38. The water cycle

39. The water cycle

40. The water cycle

41. The water cycle

42. The water cycle

43. The water cycle

44. The water cycle

45. The water cycle

46. The water cycle

47. The water cycle

48. The water cycle

49. The water cycle

50. The water cycle

51. The water cycle

52. The water cycle

53. The water cycle

54. The water cycle

55. The water cycle

56. The water cycle

57. The water cycle

58. The water cycle

59. The water cycle

60. The water cycle

61. The water cycle

62. The water cycle

63. The water cycle

64. The water cycle

65. The water cycle

66. The water cycle

67. The water cycle

68. The water cycle

69. The water cycle

70. The water cycle

71. The water cycle

72. The water cycle

73. The water cycle

74. The water cycle

75. The water cycle

76. The water cycle

77. The water cycle

78. The water cycle

79. The water cycle

80. The water cycle

81. The water cycle

82. The water cycle

83. The water cycle

84. The water cycle

85. The water cycle

86. The water cycle

87. The water cycle

88. The water cycle

89. The water cycle

90. The water cycle

91. The water cycle

92. The water cycle

93. The water cycle

94. The water cycle

95. The water cycle

96. The water cycle

97. The water cycle

98. The water cycle

99. The water cycle

100. The water cycle





carousel square

The Contour Carousel Square is a 4-seater setting perfect for outdoor learning or communal dining experiences.

An ideal addition to school and university campuses, promoting collaboration and community building.

With or without Backrests, our seating options accommodate spaces requiring either uni-directional or multi-directional seating, or even a blend of both, catering to diverse conversation needs. Mix and match with the 6-seater Carousel Hexagon or arrange in informal clusters or circular formations to accommodate various group sizes and dynamics.

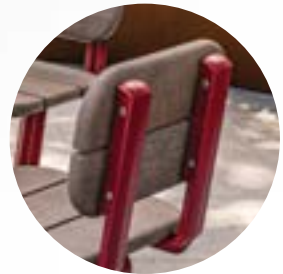
Choose from sustainably sourced hard-wearing Blackbutt or Duraslat™ XG battens, complemented by a 100% recyclable cast aluminium frame in 27 powder-coat colours or a satin finish.

Crafted to endure and designed to last.





options



Backrests/
No Backrests



Bag Hook



Umbrella Hole





product specifications

features

Designed for the harsh demands of public spaces in the Australian landscape, including the seaside.

Pair with any items in the Contour range to create a coordinated landscape.

Considered design details include discrete fixings and integrated anchor points for clean lines.

Public spaces can be vulnerable to high levels of wear and tear or vandalism. Replacement slats and parts available as required.

finishes

Slats - Hardwood, Duraslat™ XG

Frame - Cast aluminium in powder-coat or satin finish

Colour options - see **page 78**



Hardwood



Duraslat

options

Sizes - see **page 32**

Optional Backrests can be selected for seats. Opt to add a Bag Hook or Umbrella Hole to your furniture.

fixing

Fixed only.

Fixed by others - Countersunk Anchor - see **page 80**

Anchors not included.

how to specify

Select your batten finish and colour, frame colour and optional Backrest/Bag Hook.

warranty

5 years

indicative leadtime

6-8 weeks.

Shipped with some assembly required.





carousel hexagon

The Contour Carousel Hexagon is a 6-seater setting that encourages face-to-face interactions.

Ideal for schools and university campuses, the hexagon shape fits together more closely optimising space usage in crowded or compact environments.

With or without Backrests allows for spaces that need uni-directional or multi-directional seating or even a mix of both for different types of conversations. Mix and match with our 4-seater Carousel Square or arrange in informal clusters or circular formations to accommodate various group sizes and dynamics.

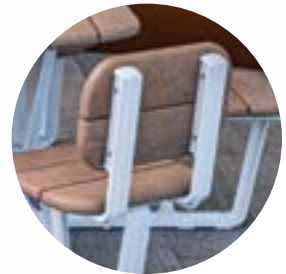
Choose from sustainably sourced hard-wearing Blackbutt or Duraslat™ XG battens, complemented by a 100% recyclable cast aluminium frame in 27 powder-coat colours or a satin finish.

Crafted to endure and designed to last.





options



Backrests/
No Backrests



Bag Hook



Umbrella Hole





product specifications

features

Designed for the harsh demands of public spaces in the Australian landscape, including the seaside.

Pair with any items in the Contour range to create a coordinated landscape.

Considered design details include discrete fixings and integrated anchor points for clean lines.

Public spaces can be vulnerable to high levels of wear and tear or vandalism. Replacement slats and parts available as required.

finishes

Slats - Hardwood, Duraslat™ XG

Frame - Cast aluminium in powder-coat or satin finish

Colour options - see **page 78**



Hardwood



Duraslat

options

Sizes - see **page 33**

Optional Backrests can be selected for seats. Opt to add a Bag Hook or Umbrella Hole to your furniture.

fixing

Fixed only.

Fixed by others - Countersunk Anchor - see **page 80**

Anchors not included.

how to specify

Select your batten finish and colour, frame colour and optional Backrest/Bag Hook.

warranty

5 years

indicative leadtime

6-8 weeks.

Shipped with some assembly required.





all-in-one setting

The Contour All-In-One Setting is a versatile solution designed for outdoor gatherings and communal dining, seamlessly combining functionality with style for a comfortable and inviting atmosphere.

Whether used alone or in groups for formal setups like linear or grid formations, the Contour All-In-One Setting effortlessly adapts to various environments.

It can be fixed or freestanding, with side accessibility for easy entry and exit.

Consider adding a Bag Hook for user convenience or a Backrest for extra comfort.

Choose from sustainably sourced hard-wearing Blackbutt or Duraslat™ XG battens, complemented by a 100% recyclable cast aluminium frame in 27 powder-coat colours or a satin finish.

Crafted to endure and designed to last.



options



Backrests/
No Backrests



Bag Hook



Umbrella Hole





product specifications

features

Designed for the harsh demands of public spaces in the Australian landscape, including the seaside.

Pair with any items in the Contour range to create a coordinated landscape.

Considered design details include discrete fixings and integrated anchor points for clean lines.

Public spaces can be vulnerable to high levels of wear and tear or vandalism. Replacement slats and parts available as required.

finishes

Slats - Hardwood, Duraslat™ XG

Frame - Cast aluminium in powder-coat or satin finish

Colour options - see [page 78](#)



Hardwood



Duraslat

options

Sizes - see [page 34](#)

Optional Backrests can be selected for seats. Opt to add a Bag Hook or Umbrella Hole to your furniture.

fixing

Free standing or Fixed.

Fixed by others - Countersunk Anchor - see [page 80](#)

Anchors not included.

Free Standing available with or without Loose Footpad - see [page 81](#)

how to specify

Select your batten finish and colour, frame colour, fixing method and optional Backrest/ Bag Hook.

warranty

5 years

indicative leadtime

6-8 weeks.

Shipped with some assembly required.





all-in-one study

The Contour All-In-One Study is designed to offer spaces for focused learning, reading, enjoying a coffee, taking a call in privacy or more intimate conversations.

Ideal for corporate campuses or educational institutions such as schools or universities, this versatile solution seamlessly combines functionality with style to create an inviting study environment.

Consider enhancing user convenience with optional additions like a Bag Hook or Backrest for increased comfort during extended study sessions.

Choose from sustainably sourced hard-wearing Blackbutt or Duraslat™ XG battens, complemented by a 100% recyclable cast aluminium frame in 27 powder-coat colours or a satin finish.

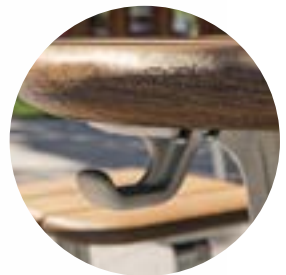
Crafted to endure and designed to last.



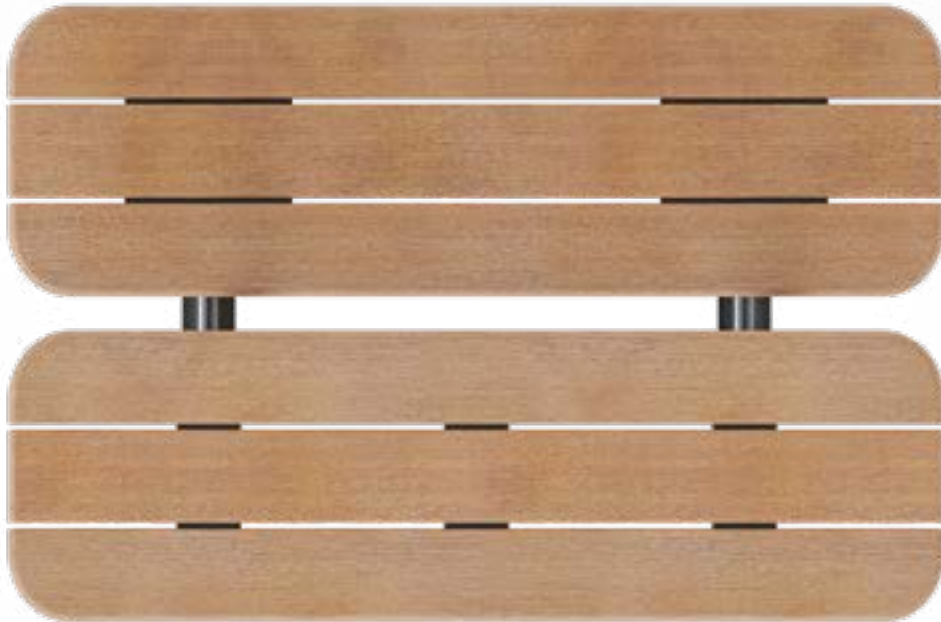
options



Backrests/
No Backrests



Bag Hook





product specifications

features

Designed for the harsh demands of public spaces in the Australian landscape, including the seaside.

Pair with any items in the Contour range to create a coordinated landscape.

Considered design details include discrete fixings and integrated anchor points for clean lines.

Public spaces can be vulnerable to high levels of wear and tear or vandalism. Replacement slats and parts available as required.

finishes

Slats - Hardwood, Duraslat™ XG

Frame - Cast aluminium in powder-coat or satin finish

Colour options - see **page 78**



Hardwood



Duraslat

options

Sizes - see **page 35**

Optional Backrests can be selected for seats.
Opt to add a Bag Hook to your furniture.

fixing

Fixed only.

Fixed by others - Countersunk Anchor
- see **page 80**

Anchors not included.

how to specify

Select your batten finish and colour, frame colour and optional Backrest/Bag Hook.

warranty

5 years

indicative leadtime

6-8 weeks.

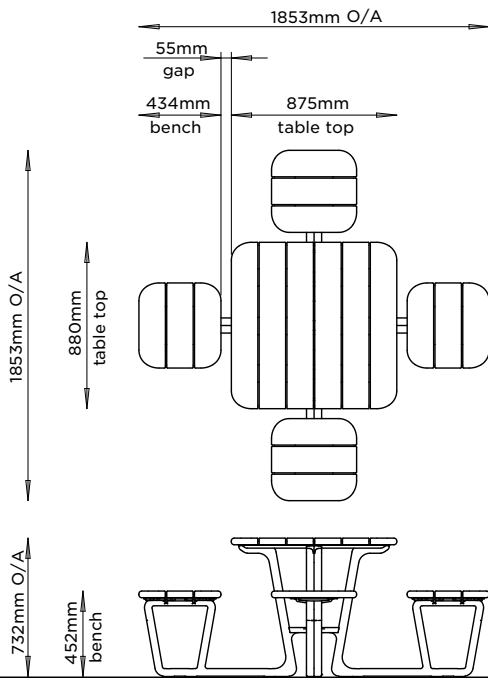
Shipped fully assembled by furniture removalist.

sizes - collaborative furniture

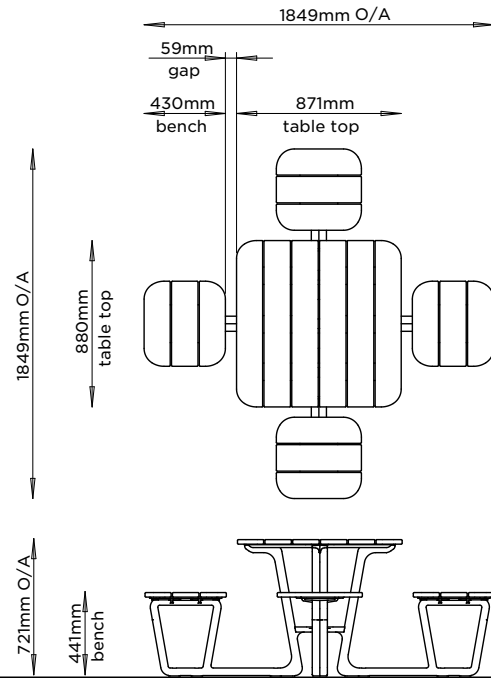
finish key: **HW** Hardwood **DS** Duraslat

carousel square

HW

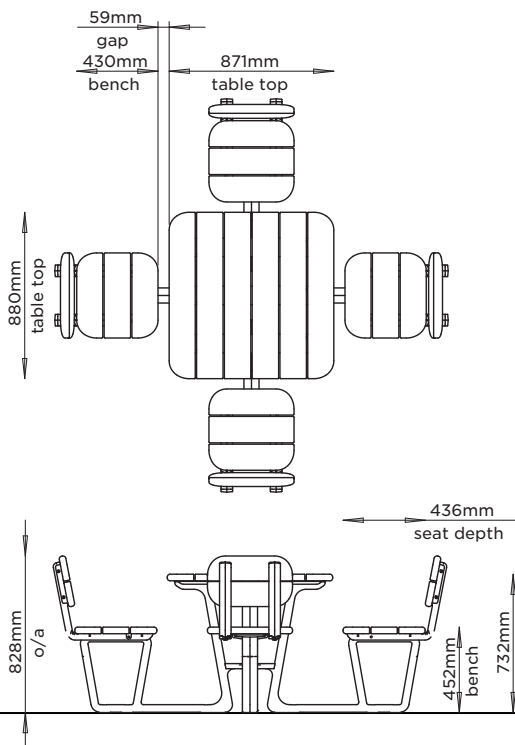


DS

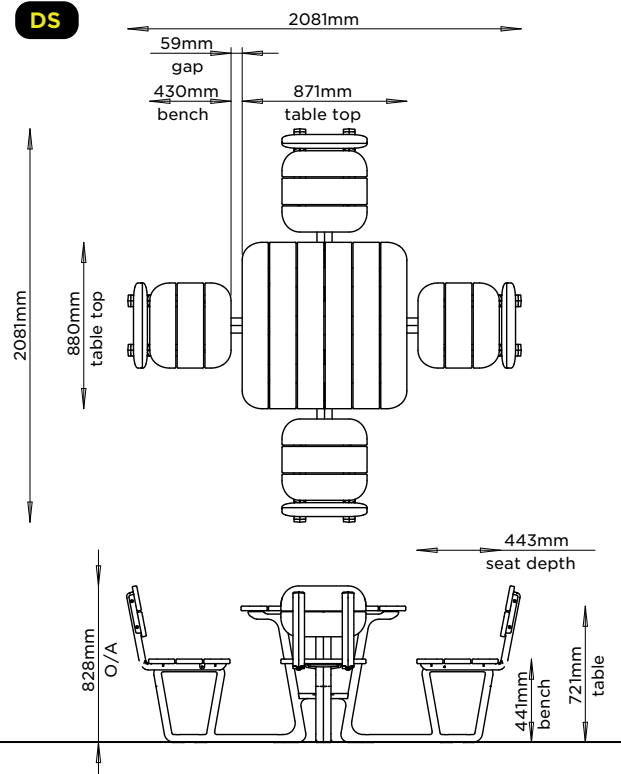


carousel square with backrest

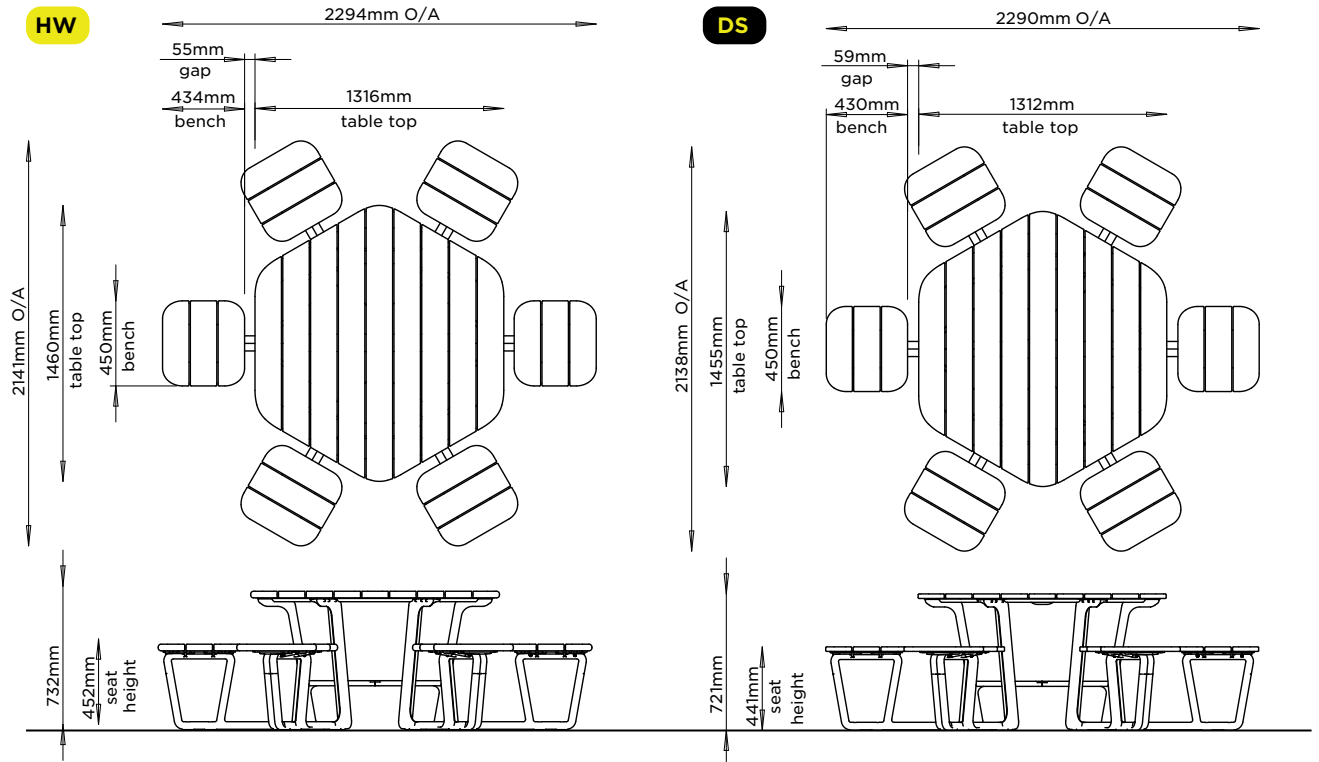
HW



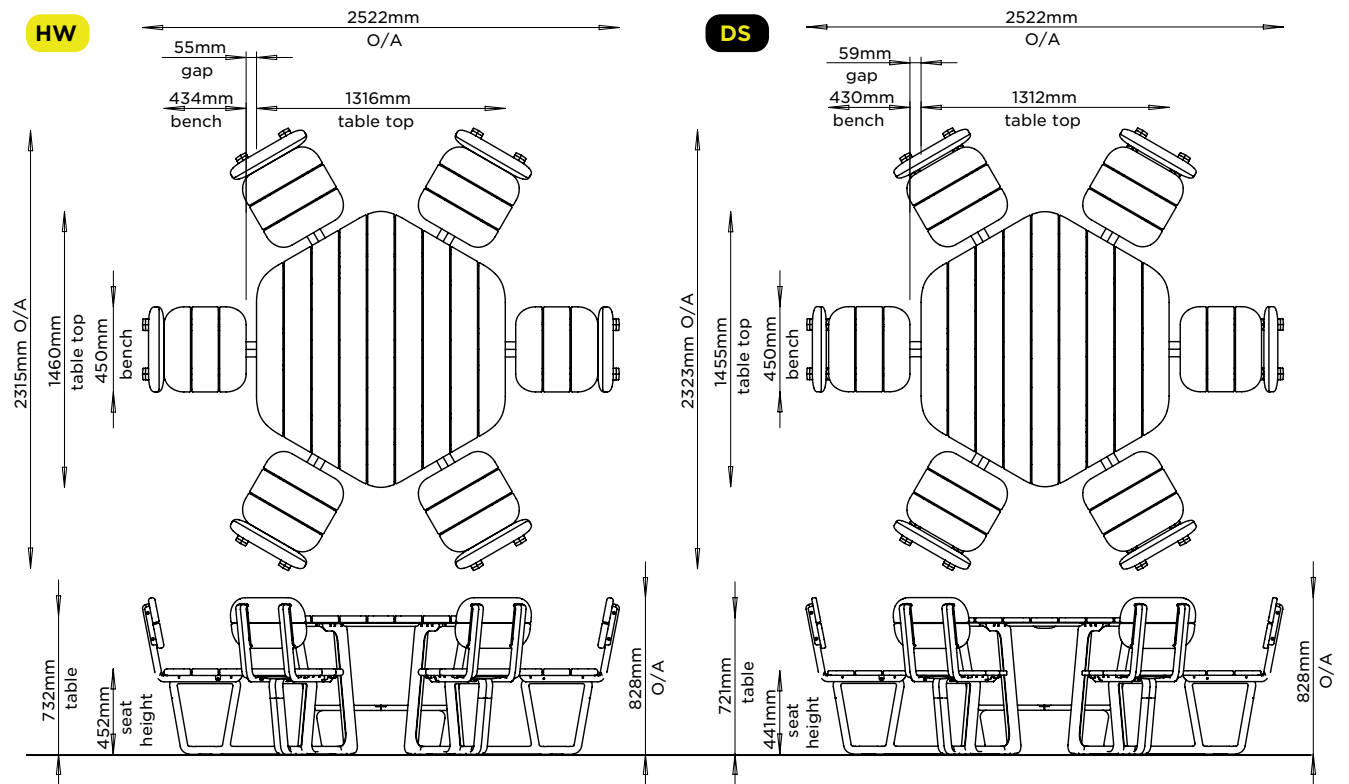
DS



carousel hexagon



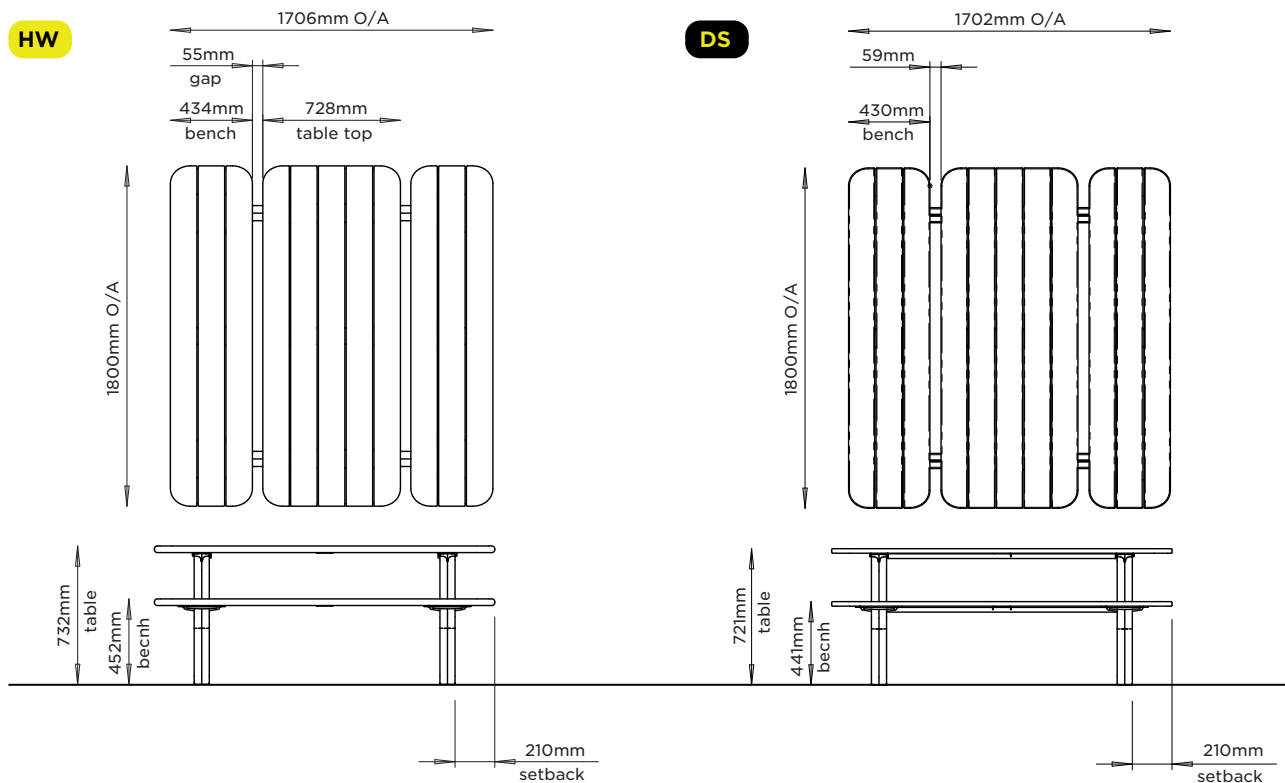
carousel hexagon with backrest



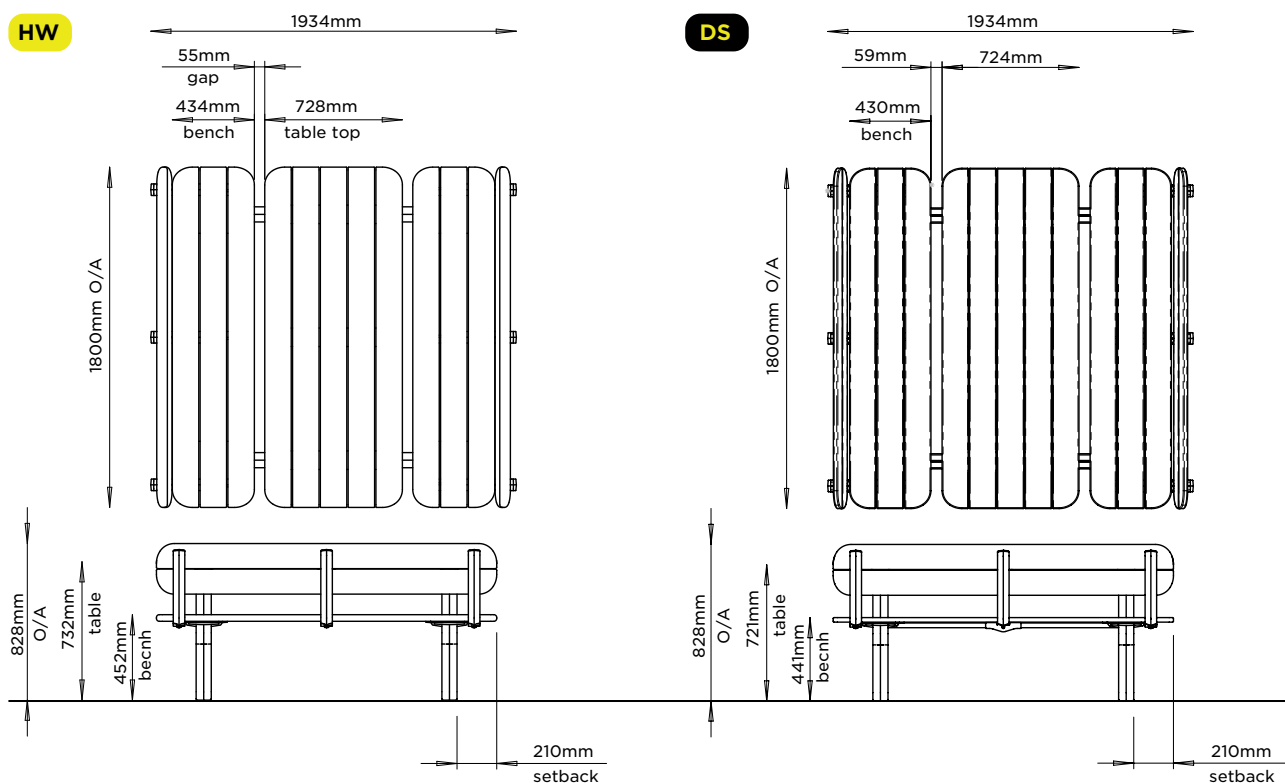
sizes - collaborative furniture

finish key: **HW** Hardwood **DS** Duraslat

all-in-one setting

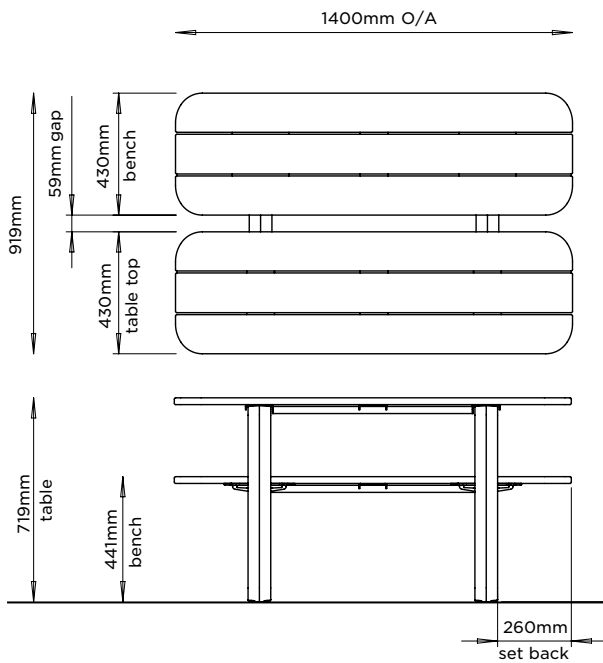


all-in-one setting with backrest

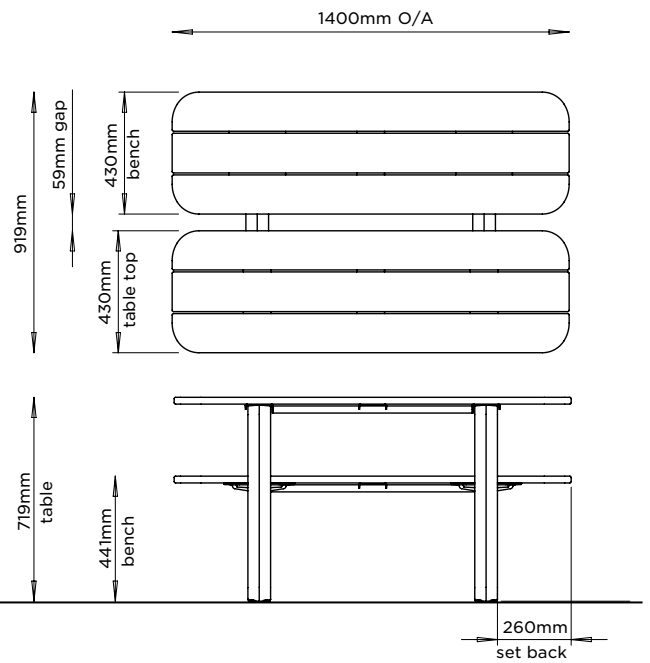


all-in-one study

HW

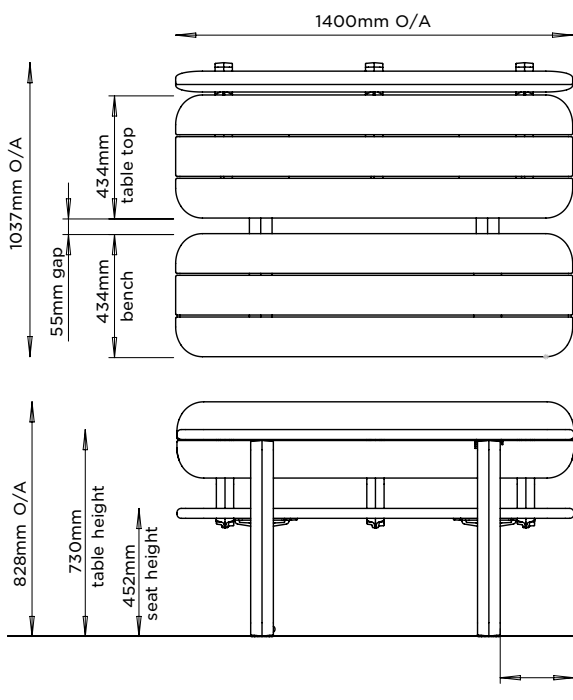


DS

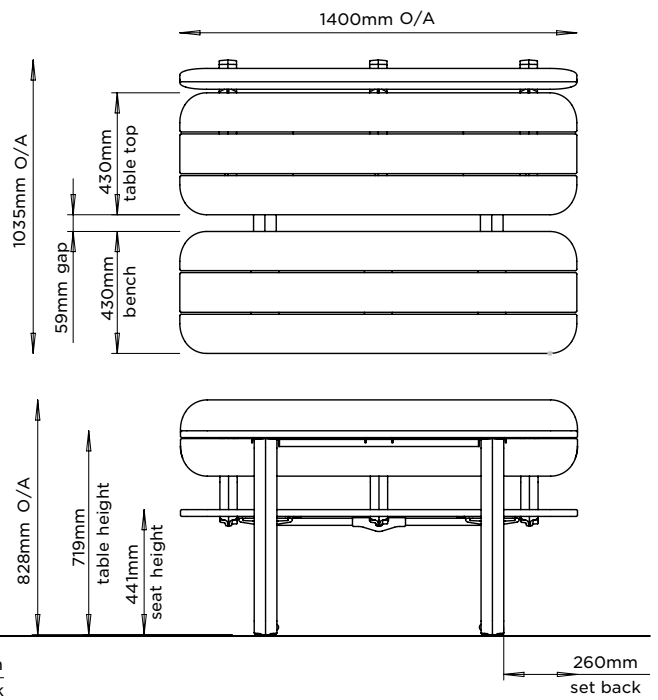


all-in-one study with backrest

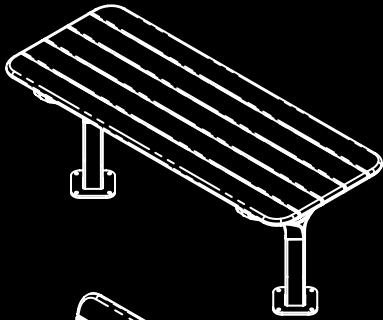
HW



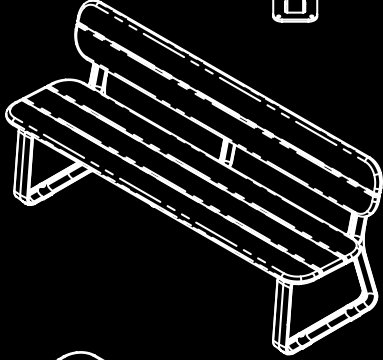
DS



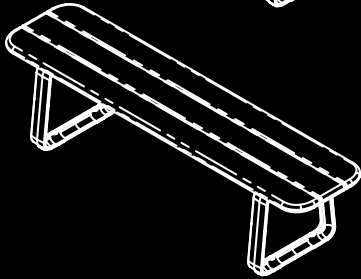
+ tables + seating



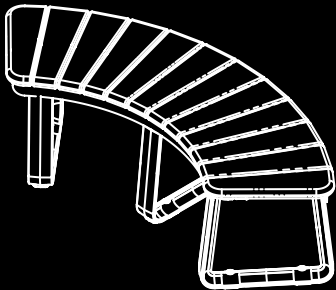
39
post
table



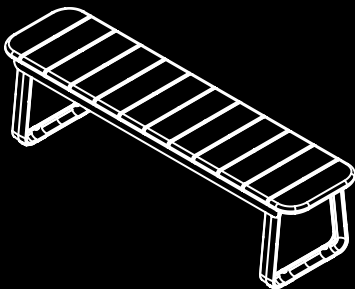
43
seat



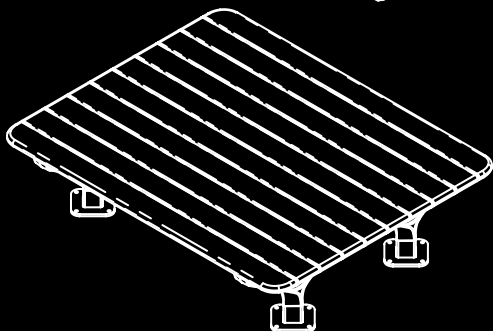
47
straight
bench



51
curved
bench



55
transverse
bench



61
platform
bench









post table

The Contour Post Table is a sturdy and contemporary design, available in two heights: standard height and Australian Standard AS1428.2: Design for Access + Mobility, providing options to meet different accessibility needs.

Pair the Contour Post Table with Contour Benches and Seats, or a combination of both on either side to create functional seating arrangements. Whether used individually or grouped together, these settings can accommodate individual and group seating configurations.

User convenience is enhanced with optional additions like a Bag Hook and/or Umbrella Hole.

Choose from sustainably sourced hard-wearing Blackbutt or Duraslat™ XG battens, complemented by a 100% recyclable cast aluminium frame in 27 powder-coat colours or a satin finish.

Crafted to endure and designed to last.



options



AS1428.2 Compliant
Post Table



Bag Hook



Umbrella Hole





product specifications

features

Designed for the harsh demands of public spaces in the Australian landscape, including the seaside.

Pair with any items in the Contour range to create a coordinated landscape.

Public spaces can be vulnerable to high levels of wear and tear or vandalism. Replacement slats and parts available as required.

finishes

Slats - Hardwood, Duraslat™ XG

Frame - Cast aluminium in powder-coat or satin finish

Colour options - see **page 78**



Hardwood



Duraslat

options

Sizes - see **page 64**

Optional AS1428.2 Designed for Access + Mobility - see **page 73**

Opt to add a Bag Hook or Umbrella Hole to your furniture.

fixing

Fixed only.

Fixed by others - Post - see **page 82**

Anchors not included.

how to specify

Select your batten finish and colour, frame colour and optional Bag Hook/umbrella hole.

warranty

5 years

indicative leadtime

6-8 weeks.

Shipped fully assembled by furniture removalist.





seat

The Contour Seat features a uni-directional design, providing easy accessibility and comfort while enhancing outdoor spaces with its contemporary aesthetic and functional design.

Versatile in its application, the Contour Seat serves as a standalone product or seamlessly pairs with the Contour Post Table to create picnic settings that facilitate outdoor gatherings. Ideal for schools, universities, corporate campuses, and urban parks alike, it caters to diverse seating needs in various environments.

Customise your seating experience by adding optional armrests for extra support and a premium feel. In Hardwood with armrests, the Contour Seat will also meet the requirements for Australian Standard AS1428.2 : Design for Access + Mobility - see **page 68**.

Choose from sustainably sourced hard-wearing Blackbutt or Duraslat™ XG battens, complemented by a 100% recyclable cast aluminium frame in 27 powder-coat colours or a satin finish.

Crafted to endure and designed to last.

options



Armrests/No Armrests





product specifications

features

Designed for the harsh demands of public spaces in the Australian landscape, including the seaside.

Pair with any items in the Contour range to create a coordinated landscape.

Considered design details include discrete fixings and integrated anchor points for clean lines.

Public spaces can be vulnerable to high levels of wear and tear or vandalism. Replacement slats and parts available as required.

finishes

Slats - Hardwood, Duraslat™ XG

Frame - Cast aluminium in powder-coat or satin finish

Colour options - see [page 78](#)



Hardwood



Duraslat

options

Sizes - see [page 64](#)

Optional Backrests can be selected for seats.

fixing

Free standing or Fixed.

Fixed by others - Countersunk Anchor - see [page 80](#)

Anchors not included.

Free standing available with or without Loose Footpads - see [page 81](#)

how to specify

Select your batten finish and colour, frame colour and fixing type.

warranty

5 years

indicative leadtime

6-8 weeks.

Shipped fully assembled by furniture removalist.





straight bench

The Contour Straight Bench can be used as a stand-alone product along the perimeter of an urban park or educational campus, framing pathways with its sleek design. Alternatively, pair it with the Contour Post Table to form a cozy picnic setting for gatherings and outdoor dining experiences.

Whether fixed in place or free standing, the seating offers unobstructed sightlines, ensuring that everyone feels included and engaged in the surrounding environment.

Choose from sustainably sourced hard-wearing Blackbutt or Duraslat™ XG battens, complemented by a 100% recyclable cast aluminium frame in 27 powder-coat colours or a satin finish.

Crafted to endure and designed to last.





product specifications

features

Designed for the harsh demands of public spaces in the Australian landscape, including the seaside.

Pair with any items in the Contour range to create a coordinated landscape.

Considered design details include discrete fixings and integrated anchor points for clean lines.

Public spaces can be vulnerable to high levels of wear and tear or vandalism. Replacement slats and parts available as required.

finishes

Slats - Hardwood, Duraslat™ XG

Frame - Cast aluminium in powder-coat or satin finish

Colour options - see [page 78](#)



Hardwood



Duraslat

options

Sizes - see [page 65](#)

fixing

Free standing or Fixed.

Fixed by others - Countersunk Anchor - see [page 80](#)

Anchors not included.

Free standing available with or without Loose Footpads - see [page 81](#)

how to specify

Select your batten finish and colour, frame colour and fixing type.

warranty

5 years

indicative leadtime

6-8 weeks.

Shipped fully assembled by furniture removalist.





curved bench

The Contour Curved Bench is a versatile seating solution designed with flexibility and inclusivity in mind.

A configurable seating system offering endless possibilities, Contour Curved Bench allows you to create unique arrangements such as curves, semi-circles, or ring formations. Its curved design promotes a sense of play and encourages social interaction. The organic, free-form design allows you to wrap the seating around trees or planters, seamlessly integrating with outdoor landscapes.

Whether fixed in place or set up freestanding, the seating provides unobstructed sightlines, ensuring everyone feels included. Pair it with the Contour Transverse bench for added versatility.

Choose from sustainably sourced hard-wearing Blackbutt or Duraslat™ XG battens, complemented by a 100% recyclable cast aluminium frame in 27 powder-coat colours or a satin finish.

Crafted to endure and designed to last.





product specifications

features

Designed for the harsh demands of public spaces in the Australian landscape, including the seaside.

Pair with any items in the Contour range to create a coordinated landscape.

Considered design details include discrete fixings and integrated anchor points for clean lines.

Public spaces can be vulnerable to high levels of wear and tear or vandalism. Replacement slats and parts available as required.

finishes

Slats - Hardwood, Duraslat™ XG

Frame - Cast aluminium in powder-coat or satin finish

Colour options - see [page 78](#)



Hardwood



Duraslat

options

Sizes - see [page 66](#)

fixing

Free standing or Fixed.

Fixed by others - Countersunk Anchor - see [page 80](#)

Anchors not included.

Free Standing available with or without Loose Footpads - see [page 81](#)

how to specify

Select your batten finish and colour, frame colour and fixing type.

warranty

5 years

indicative leadtime

6-8 weeks.

Shipped fully assembled by furniture removalist.





transverse bench

The Contour Transverse Bench is thoughtfully designed to complement the Contour Curved Bench with its matching batten pattern, facilitating the creation of organic layouts.

The Transverse Bench can also be utilised as a stand-alone product along the perimeter of an urban park or educational campus, framing pathways with its sleek design.

Whether fixed in place or free standing, the seating offers unobstructed sightlines, ensuring that everyone feels included and engaged in the surrounding environment.

Choose from sustainably sourced hard-wearing Blackbutt or Duraslat™ XG battens, complemented by a 100% recyclable cast aluminium frame in 27 powder-coat colours or a satin finish.

Crafted to endure and designed to last.





product specifications

features

Designed for the harsh demands of public spaces in the Australian landscape, including the seaside.

Pair with any items in the Contour range to create a coordinated landscape.

Considered design details include discrete fixings and integrated anchor points for clean lines.

Public spaces can be vulnerable to high levels of wear and tear or vandalism. Replacement slats and parts available as required.

finishes

Slats - Hardwood, Duraslat™ XG

Frame - Cast aluminium in powder-coat or satin finish

Colour options - see [page 78](#)



Hardwood



Duraslat

options

Sizes - see [page 67](#)

fixing

Free standing or Fixed.

Fixed by others - Countersunk Anchor - see [page 80](#)

Anchors not included.

Free standing available with or without Loose Footpads - see [page 81](#)

how to specify

Select your batten finish and colour, frame colour and fixing type.

warranty

5 years

indicative leadtime

6-8 weeks.

Shipped fully assembled by furniture removalist.



curved + transverse bench







platform bench

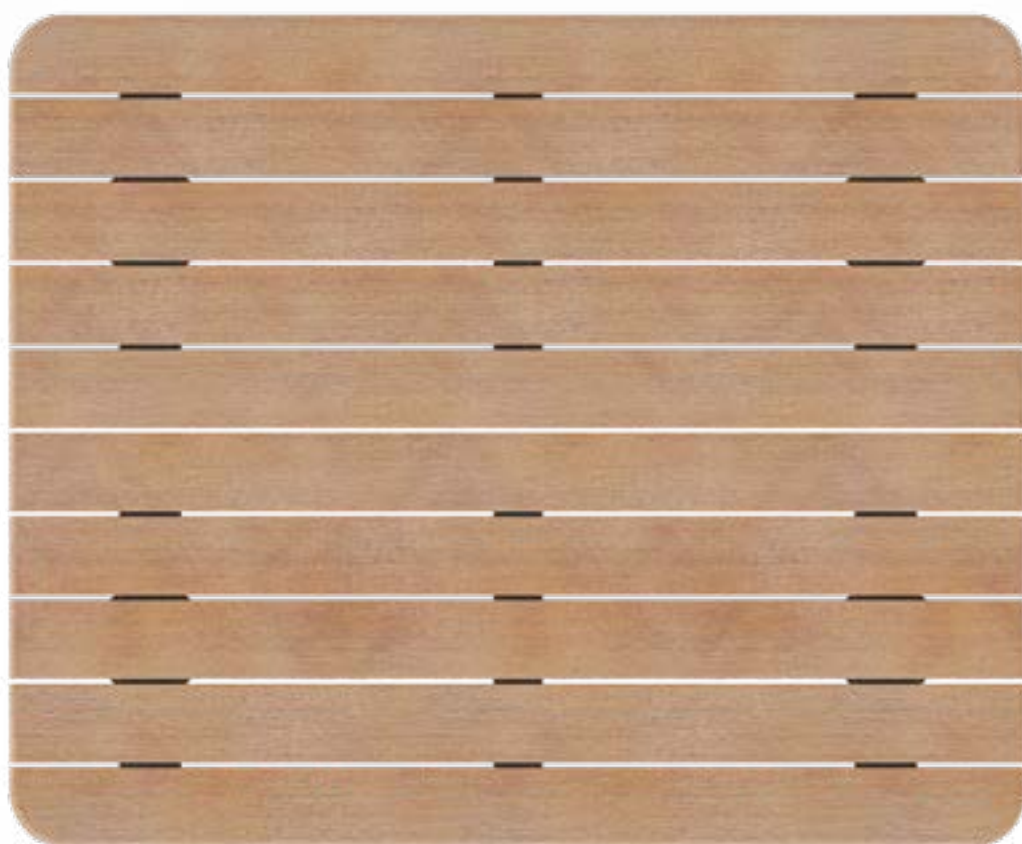
The Contour Platform Bench boasts a large format design, offering abundant space for seating on all sides and a large flat surface area for a range of outdoor activities.

With its multi-directional seating, the Platform Bench ensures easy accessibility and accommodates gatherings from all angles. Its elevated design is perfect for creating elevated picnic settings, offering unobstructed sightlines for enhanced social interactions.

Ideal for large breakout spaces, including schools, modern university campuses, corporate settings, and urban parks, the Platform Bench caters to diverse seating needs while infusing a touch of contemporary style into any environment.

Choose from sustainably sourced hard-wearing Blackbutt or Duraslat™ XG battens, complemented by a 100% recyclable cast aluminium frame in 27 powder-coat colours or a satin finish.

Crafted to endure and designed to last.





product specifications

features

Designed for the harsh demands of public spaces in the Australian landscape, including the seaside.

Pair with any items in the Contour range to create a coordinated landscape.

Considered design details include discrete fixings and integrated anchor points for clean lines.

Public spaces can be vulnerable to high levels of wear and tear or vandalism. Replacement slats and parts available as required.

finishes

Slats - Hardwood, Duraslat™ XG

Frame - Cast aluminium in powder-coat or satin finish

Colour options - see **page 78**



Hardwood



Duraslat

options

Sizes - see **page 67**

fixing

Fixed only.

Fixed by others - Post - see **page 82**

Anchors not included.

how to specify

Select your batten finish and colour and frame colour.

warranty

5 years

indicative leadtime

6-8 weeks.

Shipped fully assembled by furniture removalist.

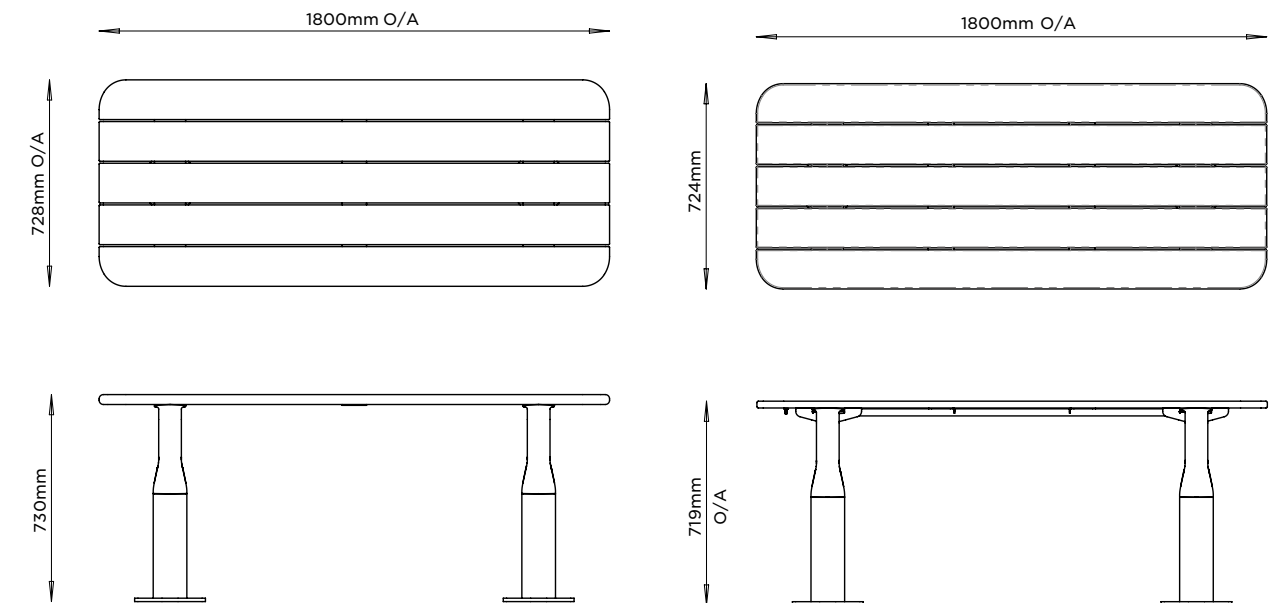
sizes - tables + seating

finish key: **HW** Hardwood **DS** Duraslat

post table

HW

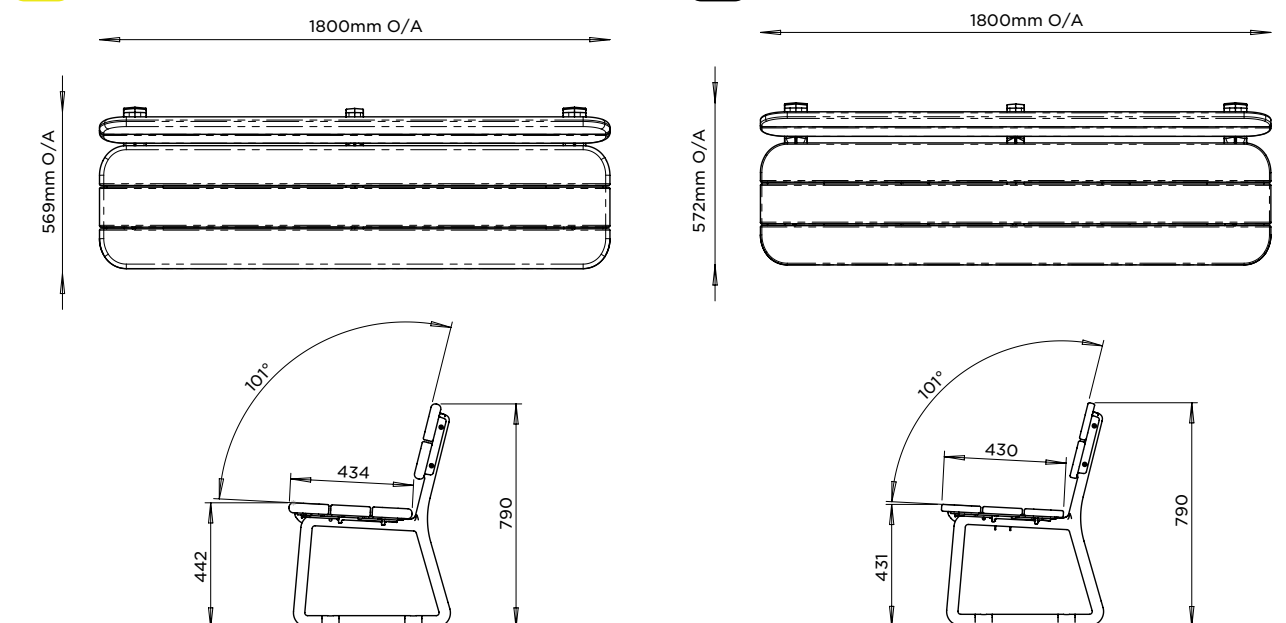
DS



seat

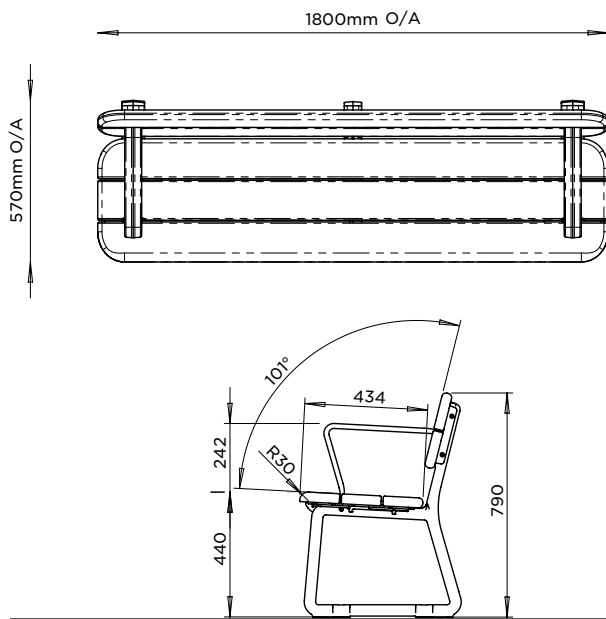
HW

DS

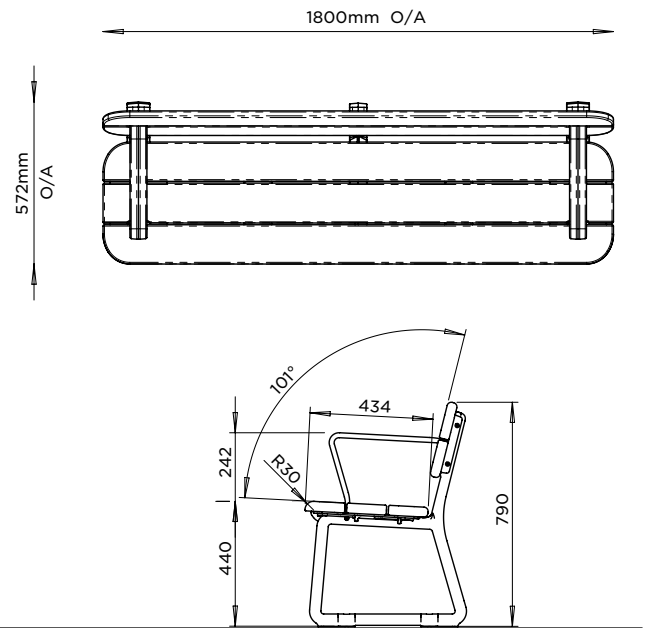


seat with armrest

HW

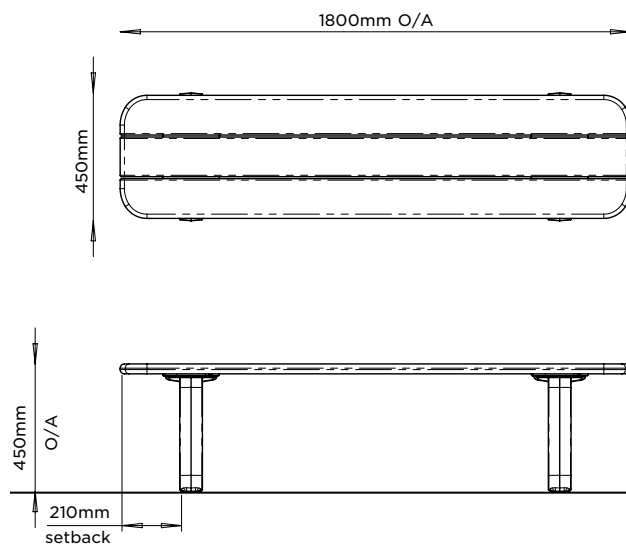


DS

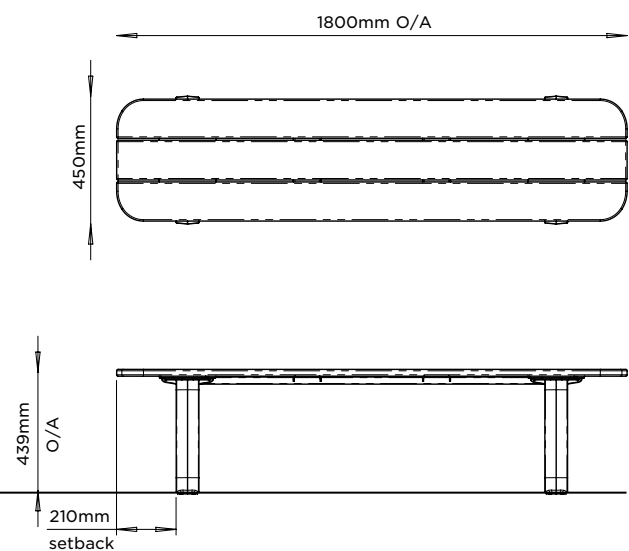


straight bench

HW



DS

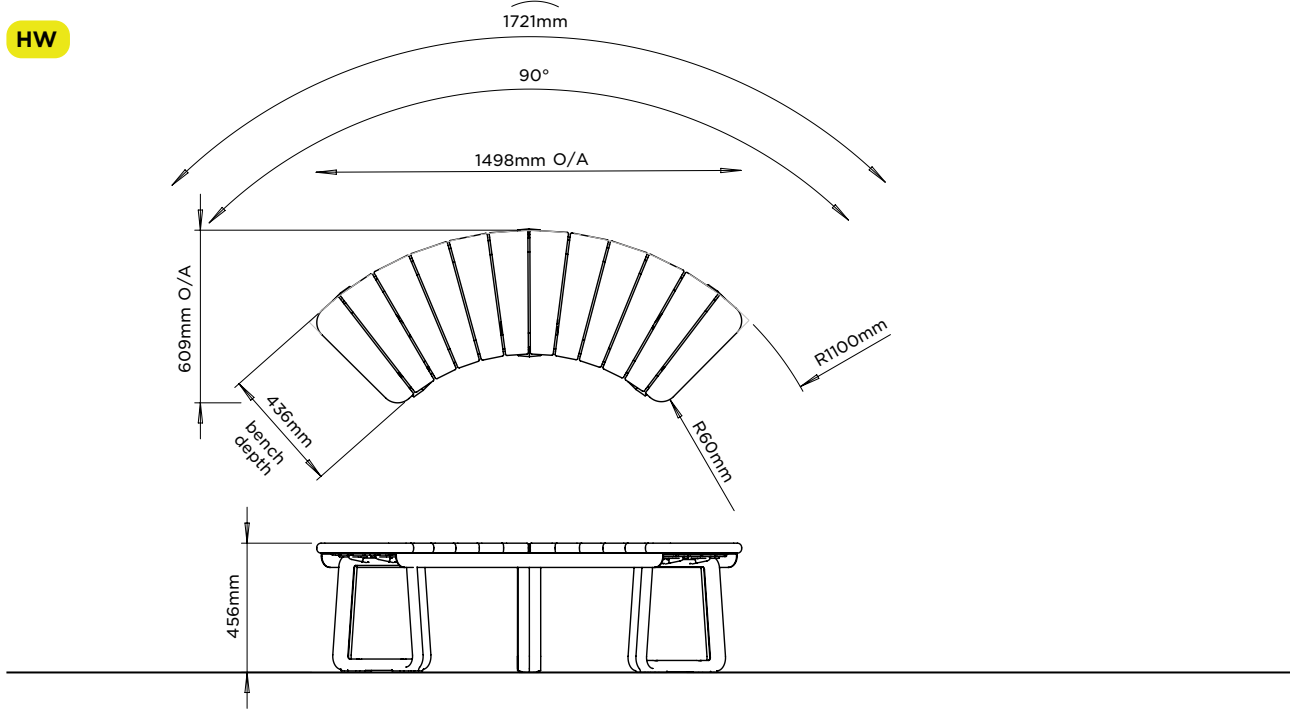


sizes - tables + seating

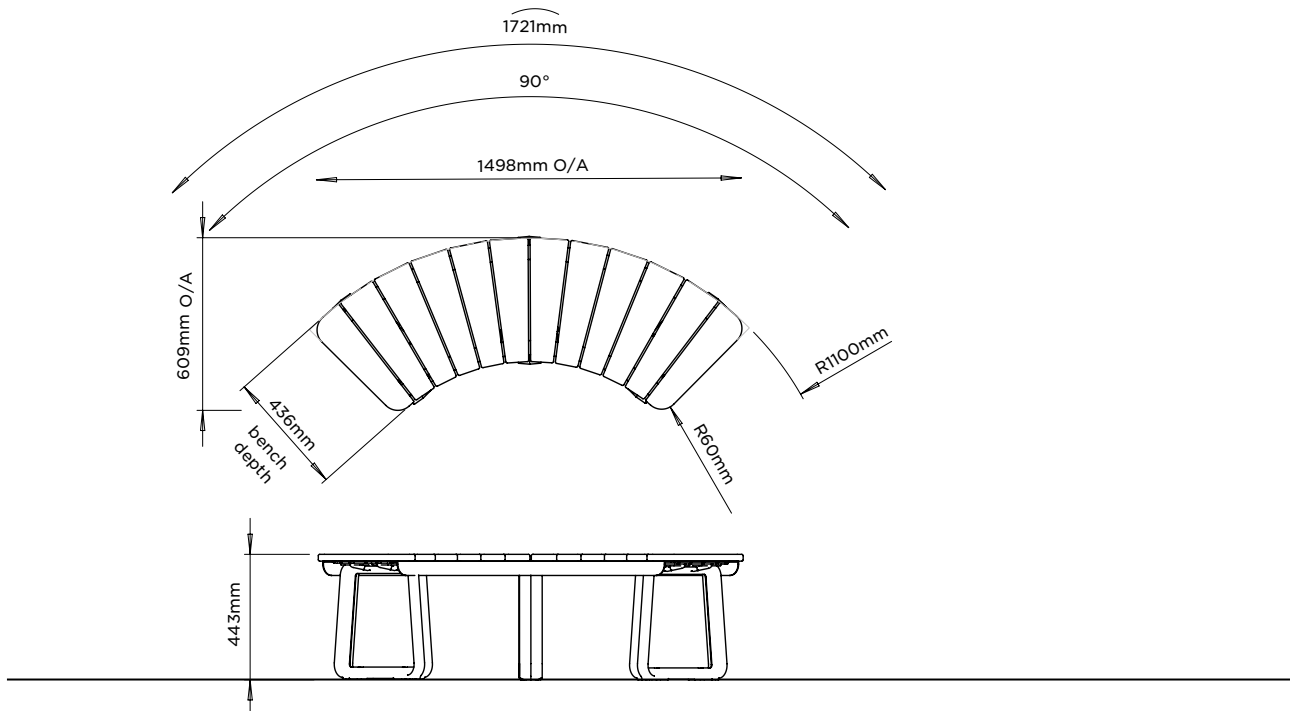
finish key: **HW** Hardwood **DS** Duraslat

curved bench

HW

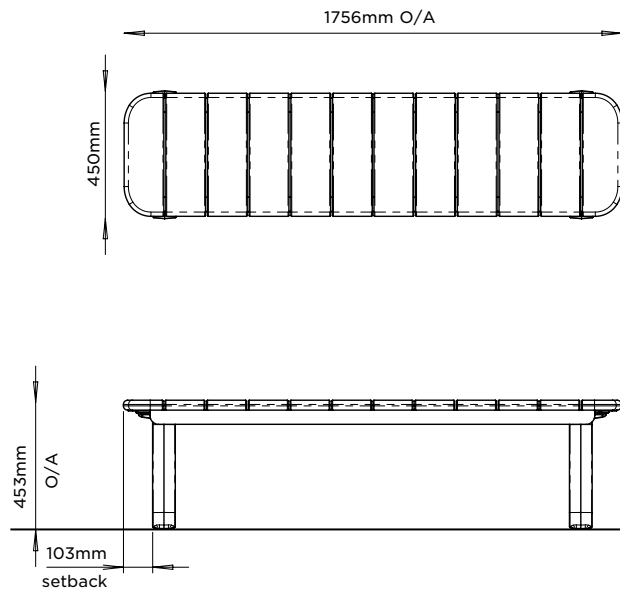


DS

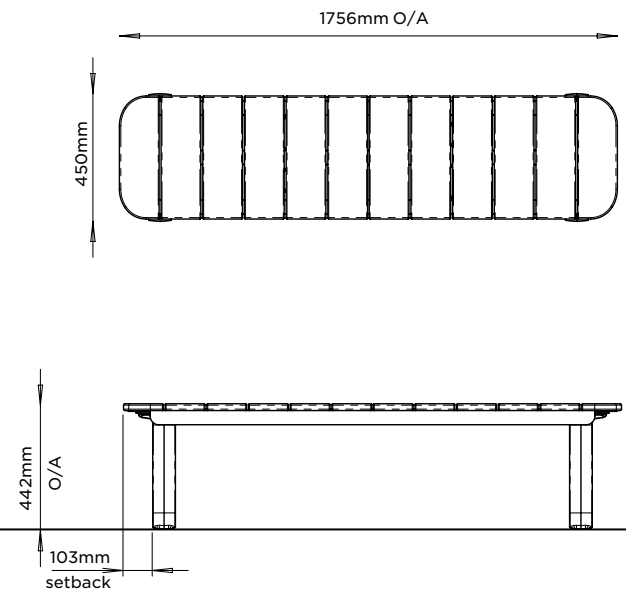


transverse bench

HW

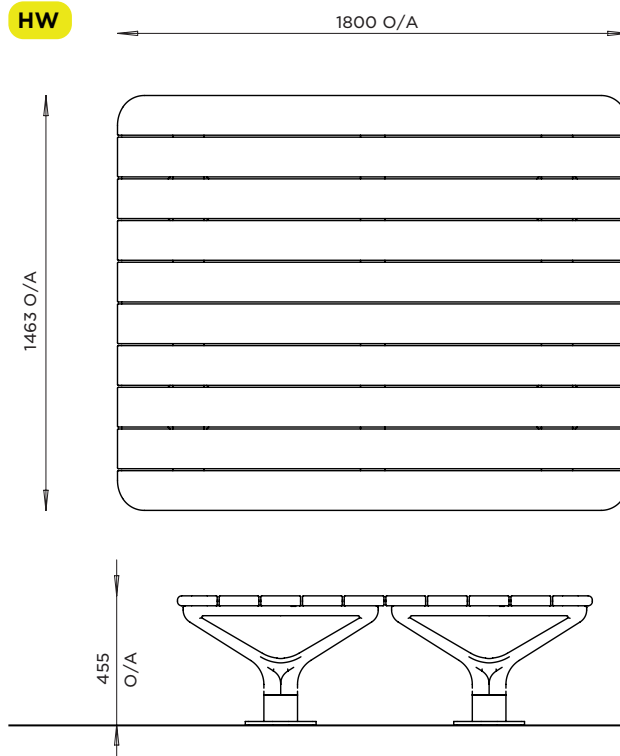


DS

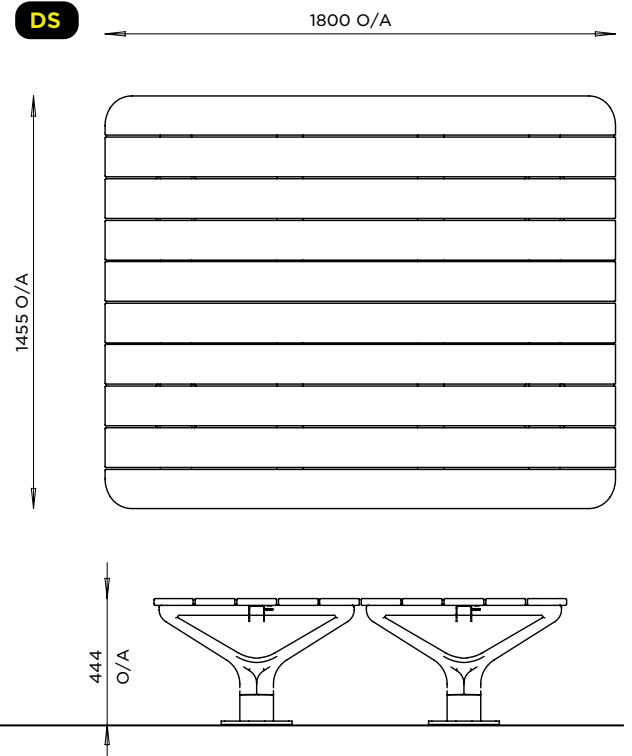


platform bench

HW



DS



accessibility

Human diversity is central to our design philosophy. We endeavour to craft inclusive environments where everyone feels welcome and can comfortably engage. A crucial aspect of inclusivity is accessibility, ensuring that public spaces accommodate all individuals.

This commitment is evident in several of our table and seating collections, which provide a range of wheelchair-accessible settings seamlessly integrated into our designs. From appropriate table heights to rounded edges for user comfort, and from wheelchair-accessible sides to thoughtful spatial considerations of the overall space.

By incorporating these features, we aim to foster accessible and inviting spaces where everyone can come together, connect and actively participate in community life.





what is AS1428.2?

Australian Standard 1428.2: Design for Access and Mobility

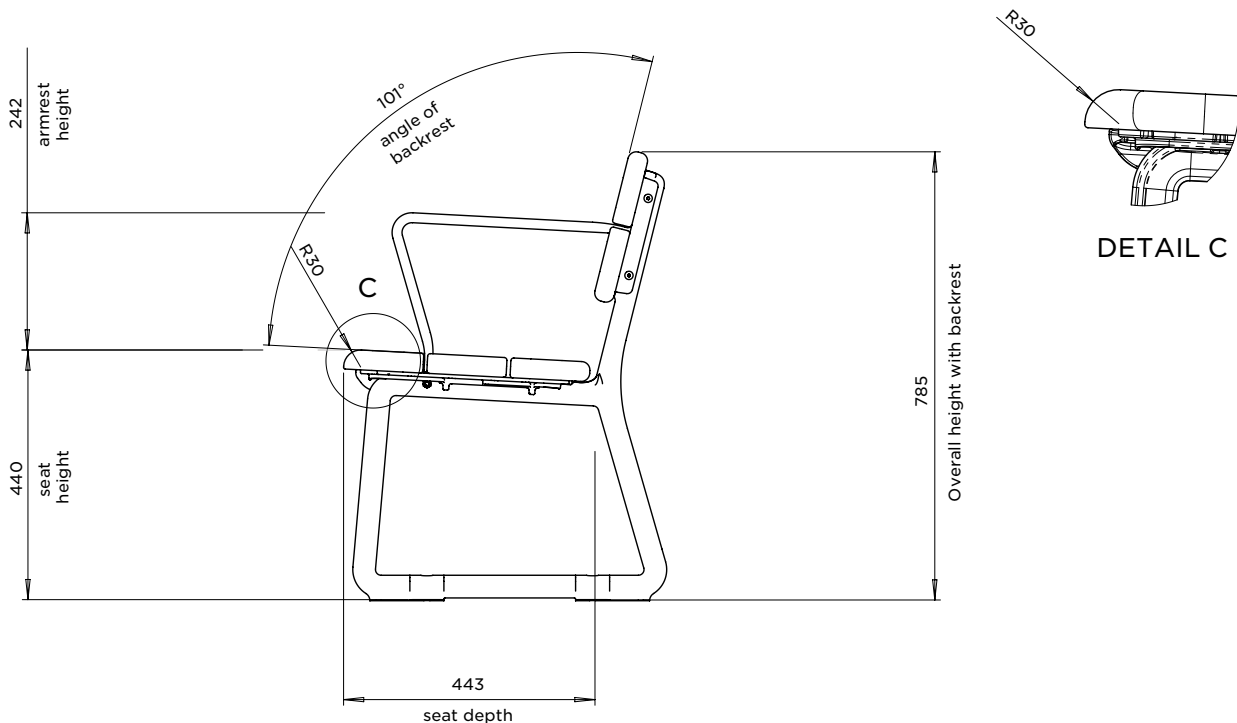
Enhanced and additional requirements - buildings and facilities 1992 (R2015)

Adherence to this code is not compulsory for public space furniture, but furniture which follows the requirements laid out in AS1428.2 will improve accessibility and aid the overall site in achieving DDA compliance by a third party.



AS1428.2 contour seat with armrest

HW



Key accessibility dimensions + features	AS1428.2	Contour Seat
Overall height with Backrest Prevents a 'slouch' to improve exit for users	750 - 790mm	790mm
Angle of Backrest Comfort and improved sight lines	105°	101°
Seat depth Assists ease to entry/exit for users	400 - 450mm	443mm
Armrest provision + height above seat Assists entry/exit for users	260mm (+ or - 40mm)	242mm
Radius to the front edge of the seat Soft contact for Popliteal (back of the knee) during entry	R30mm	R30mm
Seat height Assists entry/exit for users	400 - 450mm	440mm

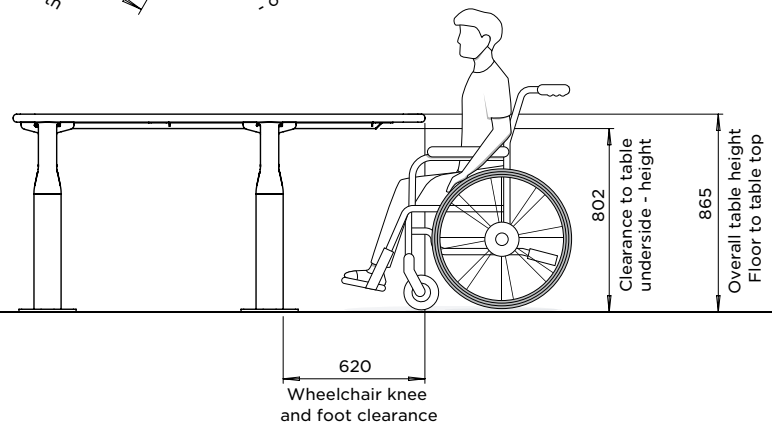
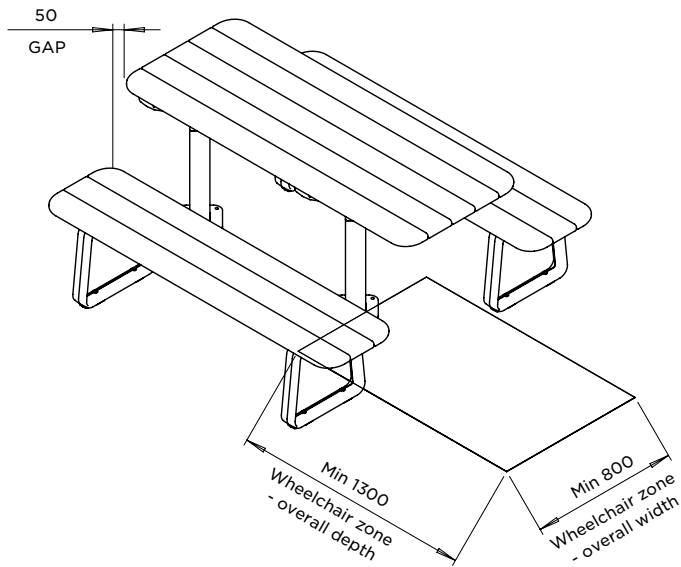
Although all other key AS1428.2 dimensional guidelines are met, hardwood is the only finish we can achieve the 30mm radius to a 30mm thick front edge batten. This may not rule out DDA compliance for your site of other finishes. Contact your accessibility consultant for project specific advice.

AS1428.2 contour post table



It is important to note there is no single table height that will suit every user with a disability and where possible providing a variety of table heights is ideal. We have worked with the dimensions outlined in AS1428.2 single height situation which outlines features targeted at wheelchair accessibility. While our tables meet the key AS1428.2 dimensions inside of our control, correct installation, slab sizing and suitable access to the settings is crucial to meeting the full AS1428.2 requirements outlined below. Please consult your accessibility expert for project specific advice.

HW



Key accessibility dimensions + features	AS1428.2	Contour Post Table
Overall table height Floor to table top	850mm (+ or - 20mm)	865mm With correct installation
Clearance to table underside - height Floor to underside of table	820mm (+ or - 20mm)	802mm
Wheelchair zone - overall width Space which is unobstructed for wheelchair access	Min. 800mm	Min. 810mm with seating correctly installed a min. 50mm from table edge
Wheelchair zone - overall depth Space which is unobstructed for wheelchair access	Min. 1300mm	Dependant on slab sizing and installer
Wheelchair knee and foot clearance Clearance below the table which is unobstructed	Min. 620mm	620mm

finishes

sustainable hardwoods

Our hardwoods are sourced from sustainably managed regrowth forests. We select timber species that have a grain structure and density ideally suited to longevity in harsh public environments. In exterior applications, the natural beauty of the timber is further enhanced and protected with three coats of exterior grade oil, pigmented for high UV resistance.



Blackbutt Light Oak
UV Resistant Oil Finish



Blackbutt Golden
UV Resistant Oil Finish



Blackbutt Red
UV Resistant Oil Finish



care + maintenance quick guide

Cleaning - Remove any loose surface deposits with a soft bristled brush. Wipe down with fresh water and a non-abrasive cloth.

Oiling - Oiling of timber will postpone natural greying, repel moisture, improves mould resistance, helps maintain a smooth surface texture and enhances the grain and colour. To maintain, lightly sand rough areas of timber and brush on one coat of Cutek Oil every 6 months (or as required).

Tannins + Leaching - Botton + Gardiner recommends placing furniture on a suitable surface after delivery and wetting down (or standing in the rain) prior to final installation, to allow the tannin to release. Scan the QR code for more info.

Natural Variations - Hardwood is unique from tree to tree. Part of the natural characteristics and individual beauty of hardwood include colour and grain variation, bore holes from insects and crevices and these do not affect its structural performance.

Duraslat™ XG

Duraslat™ XG is a sustainable alternative to hardwood. It is an ultra-low maintenance product with a full wrap-around skin for extra protection that provides added durability, mould, mildew, and stain resistance, as well as a splinter-free surface. There are 5 colours with a deep embossed grain that creates a natural wood-like texture and appearance.



Alcove



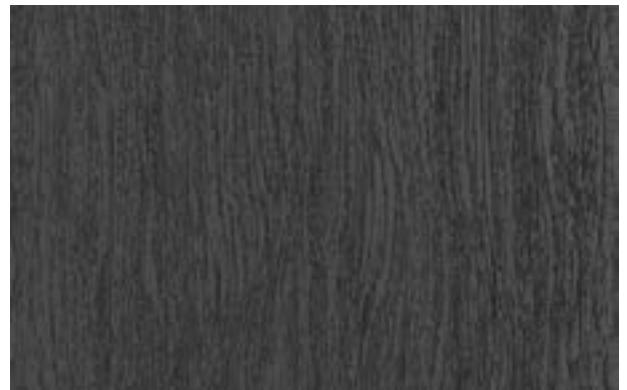
Dune



Boulder



Ravine



Cave



care + maintenance quick guide

Cleaning – Occasional cleaning with warm soapy water and high pressure water jet (max 1500psi) will enhance results. A fan tip nozzle should be used. Spray the soap and use a soft bristled brush to gently scrub the boards, and rinse soapy water off thoroughly to avoid leaving a film. Spray in the direction of the brush/grain pattern.

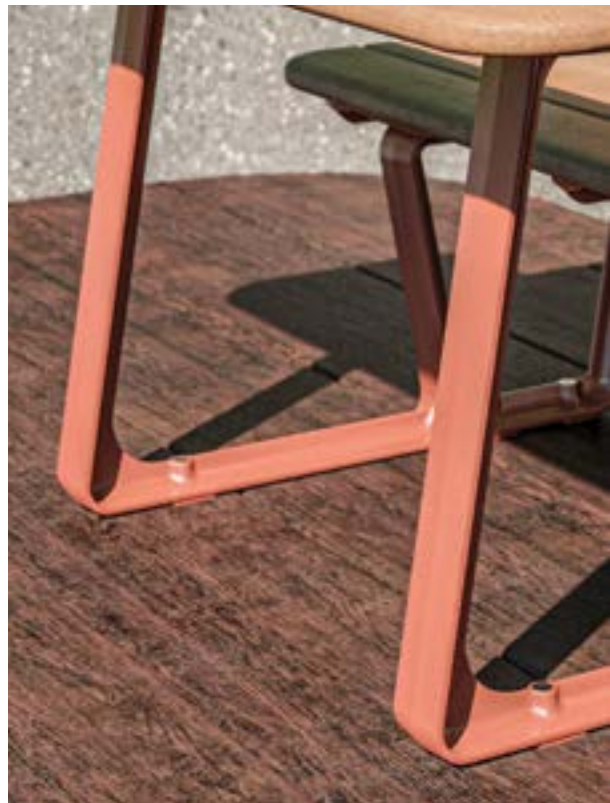
Maintenance – Never sand DuraSlat Grain, doing so will damage the protective qualities of the shell and void your warranty. Never use acetone or other solvents on Grain DuraSlat™.

cast aluminium frames

Aluminium is a light, strong, flexible, non-corrosive and infinitely recyclable material making it an ideal choice of material for use in the Australian outdoor environment. Our aluminium is both mined and extruded in Australia, with our slats having up to 30% recycled content. Aluminium can also be recycled at the end of its lifespan with no reduction in quality of secondary products.



Satin finish



Powder coat finish



care + maintenance quick guide

Our aluminium profiles are hard wearing and require no ongoing maintenance (other than washing) making them a great product that remains looking good.

Cleaning - Clean regularly with non-abrasive cleaning agents such as warm soapy water. Hand rubbing is often used for small work, for larger projects utensils such as soft fibre brushes may be useful. Rinse the surface with fresh water after cleaning. NEVER use abrasive materials such as scouring pads, steel wool, or metallic scrapers. NEVER use cleaners containing high bleach content or harsh abrasives.



powdercoats

Powdercoating gives a uniform, durable, high quality and attractive finish that is low in VOCs. Powdercoated surfaces have good flexibility and wear resistance giving them long term performance in high traffic areas. This cost-effective finish has great UV resistance and durability in the elements.

core



WHITE INTERPON D1000 satin GA124A	BLACK INTERPON D1000 satin GN150A	CHARCOAL INTERPON D1000 satin GL180A	PALLADIUM SILVER INTERPON D1000 satin GY184C	MATT BLACK INTERPON D1000 matt GN248A	PEARL WHITE INTERPON D1000 gloss GA078A
---	---	--	--	---	---

solid



COFFEE OXYTECH OXYPLAST satin PR12/90494/CS17	COVE OXYTECH OXYPLAST satin PR12/81551/CS6	MONUMENT® DULUX DURALLOY® matt 2609066M	MEDIUM BRONZE KINETIC DULUX ELECTRO® flat 9068183F
---	--	---	--

textured



CORE TEN INTERPON D1000 textured metallic GX350A	ASTEROID INTERPON D1000 textured metallic GN271A	BASS INTERPON D1000 textured metallic GN297A	TEXTURA BLACK INTERPON D1000 textured GN305A	TEXTURA MONUMENT INTERPON D1000 textured GL329A	TEXTURA WHITE INTERPON D1000 textured GA330A
--	--	--	--	---	--

signature



DEEP OCEAN®

DULUX DURALLOY®
satin
2725125S

WEDGEWOOD

DULUX DURALLOY®
satin
27250279

MANGROVE®

DULUX DURALLOY®
satin
2726473S

TERRITORY RED

DULUX DURALLOY®
matt
2724411M

CLAYPOT

OXYTECH OXYPLAST
satin
PR12/91284/CS6

PAPERBARK

DULUX DURALLOY®
satin
2723088S

bold



BONDI BLUE

INTERPON D1000
gloss
GJ045A

LEAF

DULUX DURATEC®
INTENSITY®
satin
90N6167S

SENSATION

INTERPON D1000
gloss
GF049A

LOBSTER

INTERPON D1000
satin
GG155A

MOONLIGHT

DULUX DURATEC®
INTENSITY®
satin
9002004S



care + maintenance quick guide

- Carefully remove any loose surface deposits with a wet sponge or soft bristled brush.
- Use a soft (non-abrasive) cloth or brush and a diluted solution of mild detergent and warm water.
- Ensure surfaces are thoroughly rinsed with clean fresh water after cleaning to remove all residues.
- Never use thinners, abrasive cleaning agents, alcohol-based, acid or alkali cleaning agents.

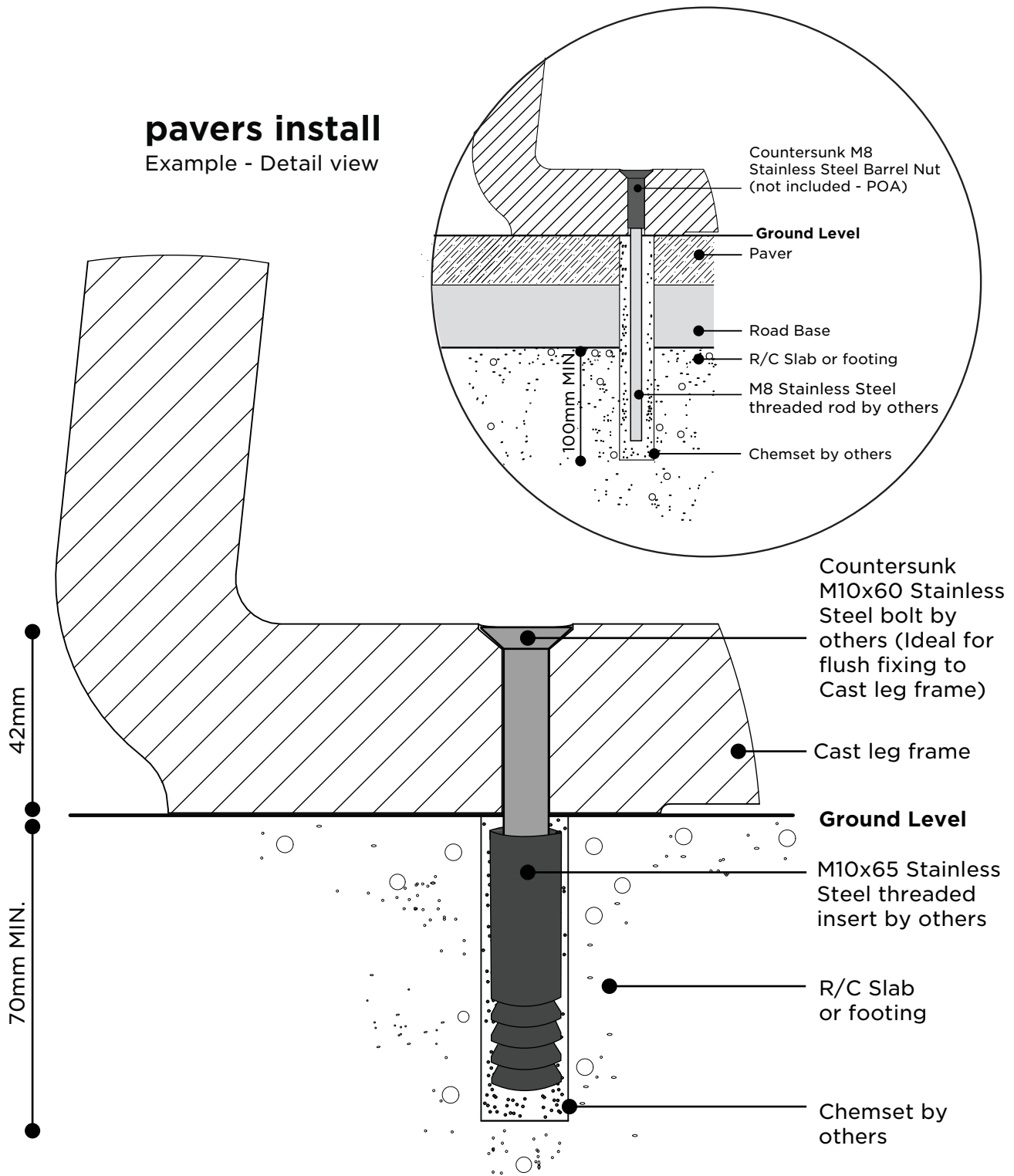
fixing details

countersunk anchor

concealed surface fixed seat, benches,
all-in-ones, carousels

pavers install

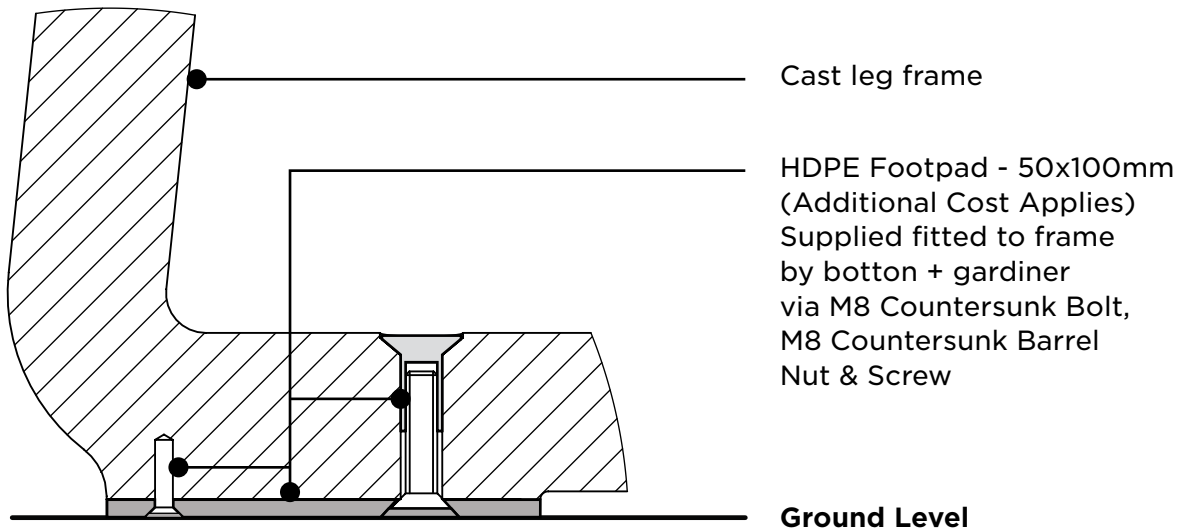
Example - Detail view



loose footpad

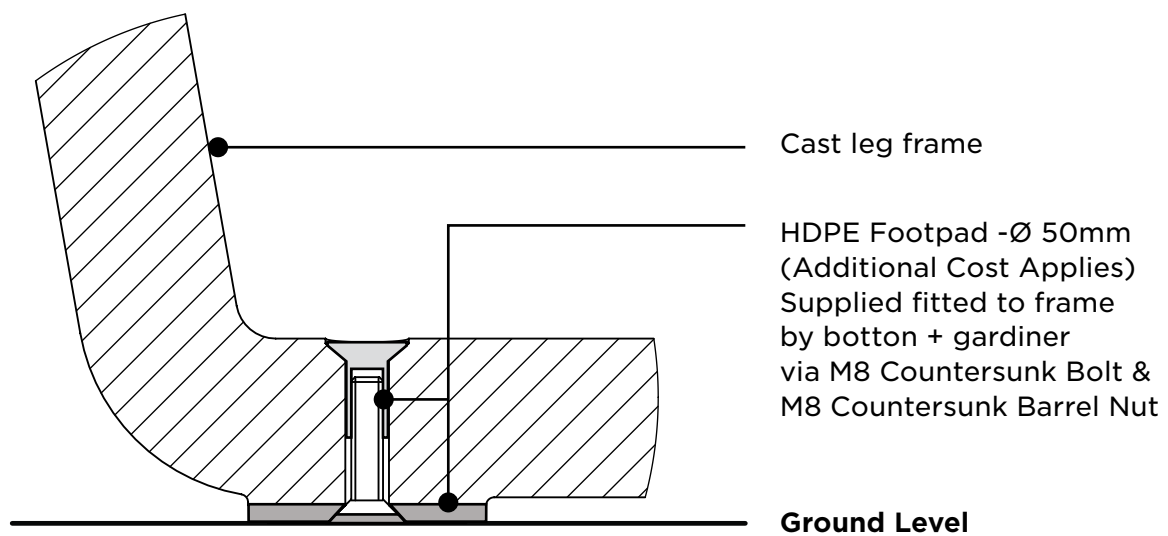
freestanding

all-in-one setting, seat, bench, curved bench, transverse bench



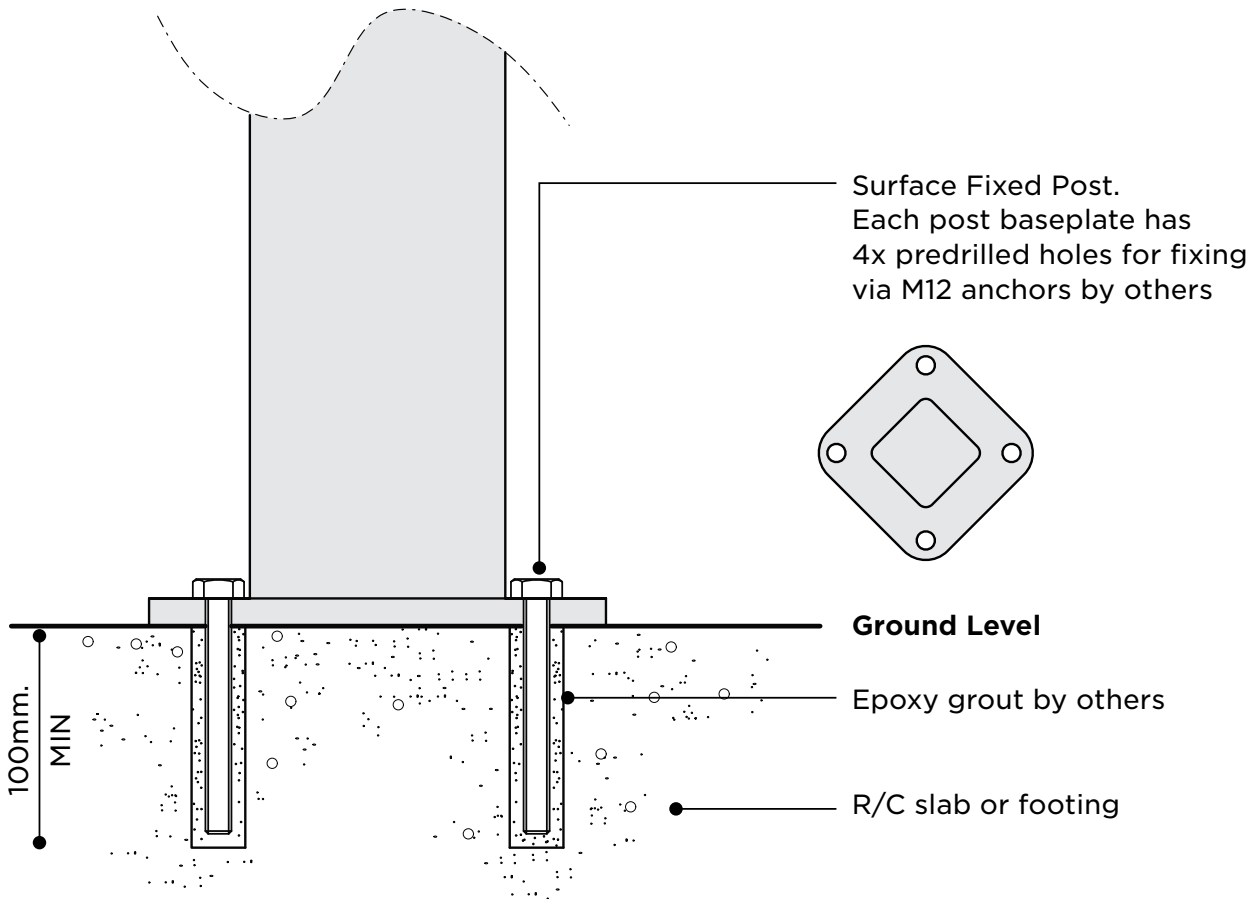
freestanding

all in one



post

surface fixed
post table, platform bench





coordinates

Botton + Gardiner has a large range of coordinating pieces to complete our settings. Add bins for stylish waste management, planters for greenery and screening, tables for dining and flexible use pause points, or bike racks to accommodate cyclists. Be inspired by the selection below or visit our website for our full range.



Prospect Drinking Fountain



GRC Planter



FGP Bike Rack



Bronte Bin



Fremantle with wings



Mandalay litter bin



Avenue Bollard



Noosa Bin



Bellerive Bin



Bondi Bin



Brighton Bin



prospect drinking fountain



1300 762 701
bottongardiner.com.au

botton + gardiner