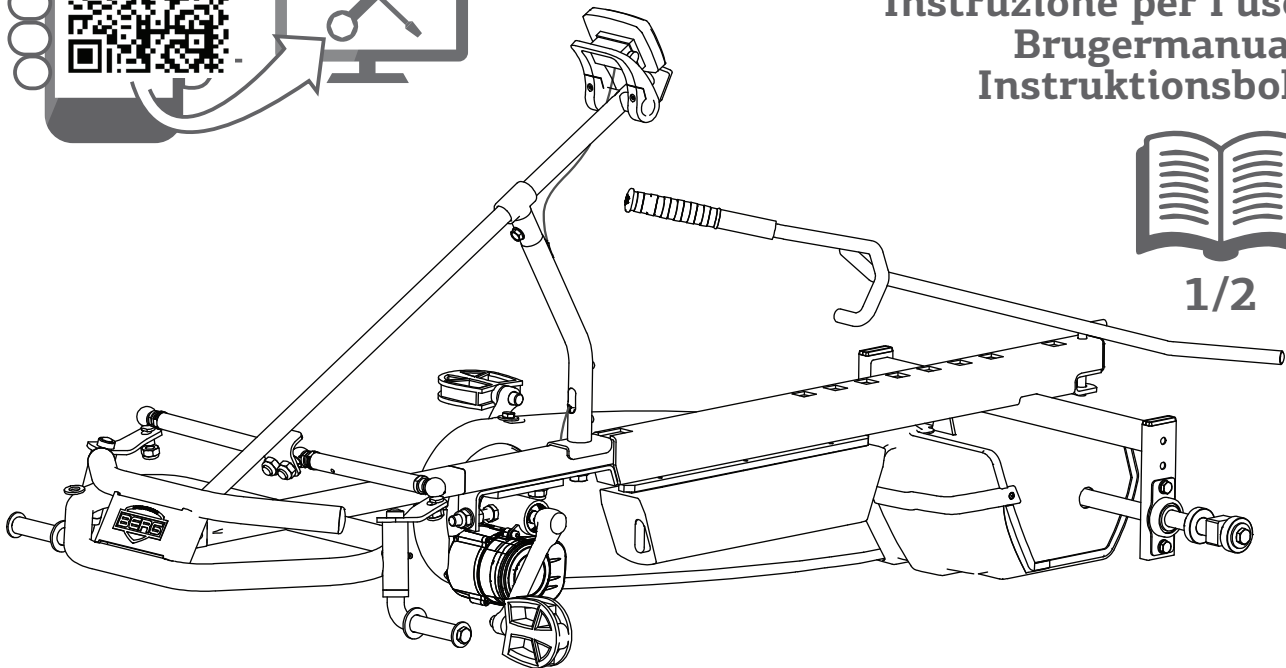




# E-Frame BFR

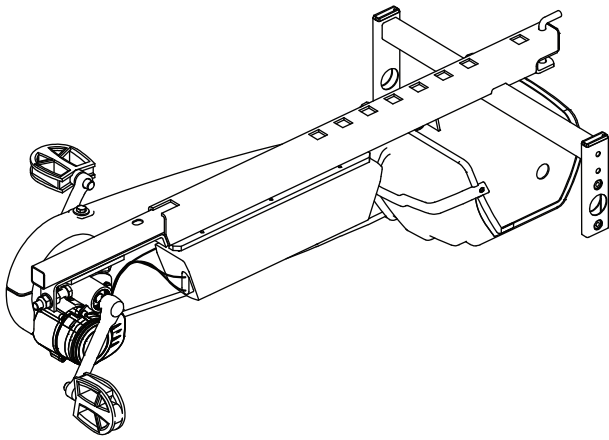
User manual  
Gebruikshandleiding  
Gebrauchsanweisung  
Mode d'emploi  
Manual de usuario  
Istruzione per l'uso  
Brugermanual  
Instruktionsbok



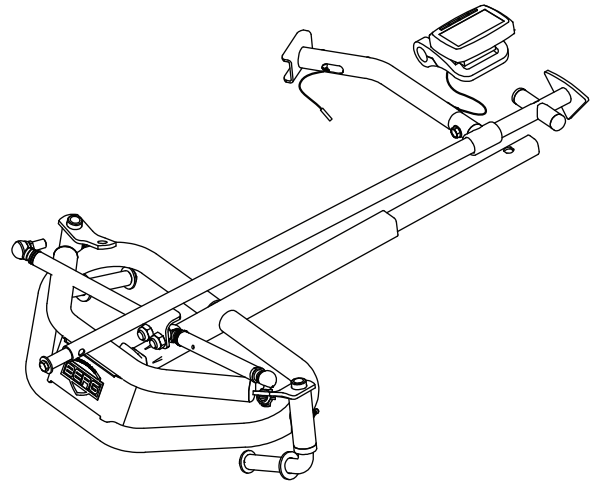
1/2



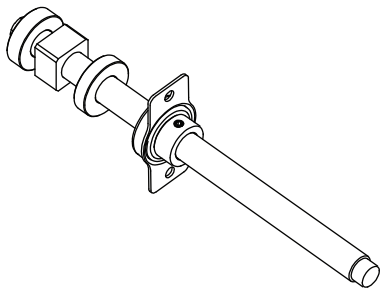
<b>⚠ WARNINGS</b>	Not suitable for children under three years. Choking hazard - Small parts. Adult assembly required. Retain for future reference.
<b>⚠ WAARSCHUWINGEN</b>	Niet geschikt voor kinderen jonger dan drie jaar. Verstikkingsgevaar - kleine delen. Te monteren door een volwassene. Bewaar de gebruikshandleiding voor toekomstig gebruik.
<b>⚠ ACHTUNG</b>	Nicht für Kinder unter drei Jahren geeignet. Erstickungsgefahr - Kleine Teile. Der Zusammenbau ist durch einen Erwachsenen vorzunehmen. Bewahren Sie die Anleitung für die zukünftige Verwendung.
<b>⚠ ATTENTION</b>	Ne convient pas aux enfants de moins de trois ans. Danger d'étouffement - Petits éléments. Assemblage par un adulte requis. Conserver la mode d'emploi pour utilisation future.
<b>⚠ ADVERTENCIAS</b>	No conviene para niños menores de tres años. Peligro de atragantamiento - Partes pequeñas. Se requiere ensamblaje por un adulto. Conservar las instrucciones para uso futuro.
<b>⚠ ATTENZIONE</b>	Non adatto a bambini di età inferiore a 3 anni. Rischio di soffocamento - Piccole parti. Richiesto assemblaggio da parte di un adulto. Conservare le istruzioni per un uso future.
<b>⚠ ADVARSLER</b>	Ikke egnet til børn under 3 år. Kvælningsfare - Små dele. Skal samles af en voksen. Gem brugervejledningen til fremtidig reference.
<b>⚠ VARNINGAR</b>	Inte lämplig för barn under tre år. Kvävningrisk - Små delar. Montering av en vuxen krävs. Behåll användarmanualen för framtida bruk.



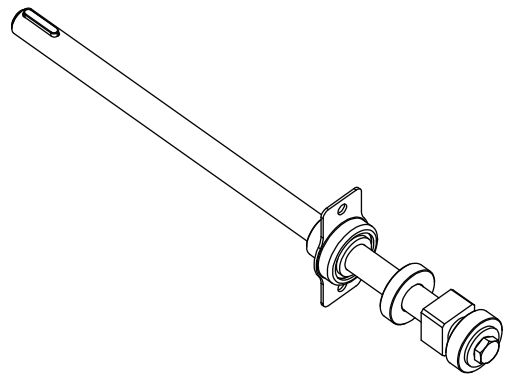
**1** 1x



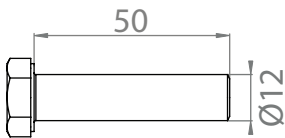
**2** 1x



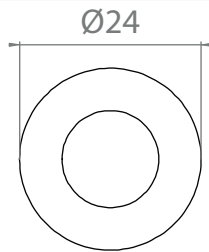
**3** 1x



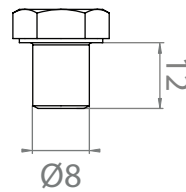
**4** 1x



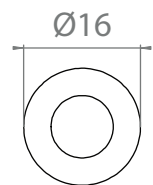
**5** 1x



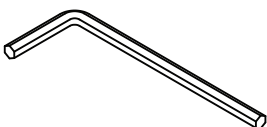
**6** 1x



**7** 4x



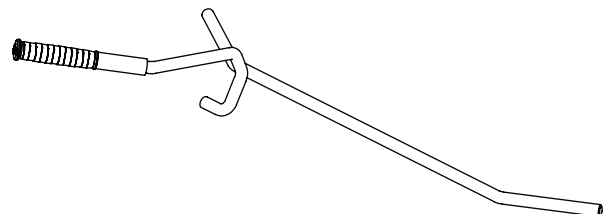
**8** 4x



**9** 1x



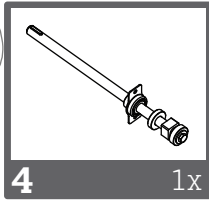
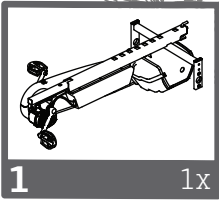
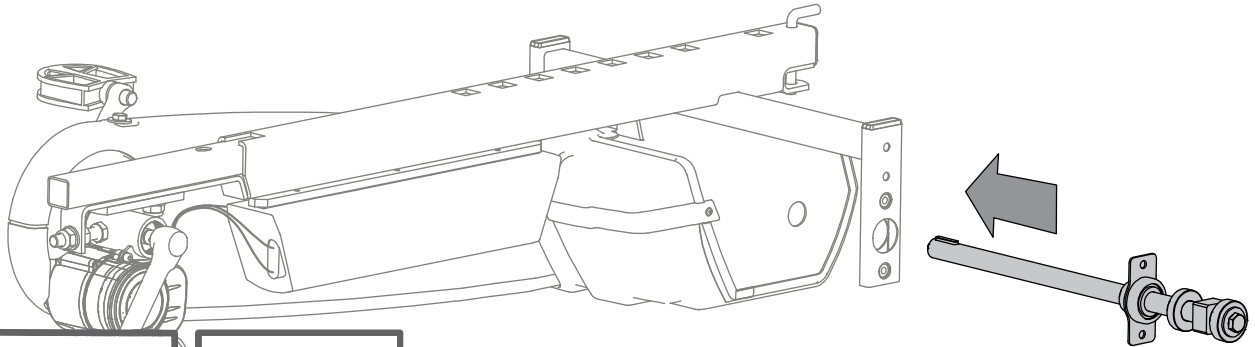
**10** 1x



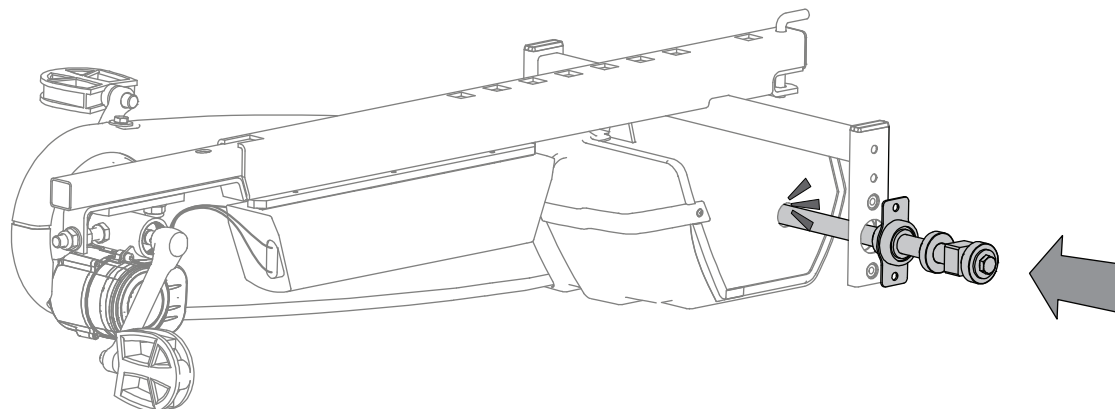
**11** 1x



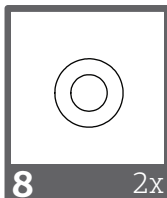
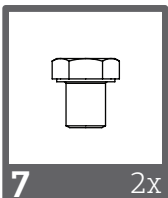
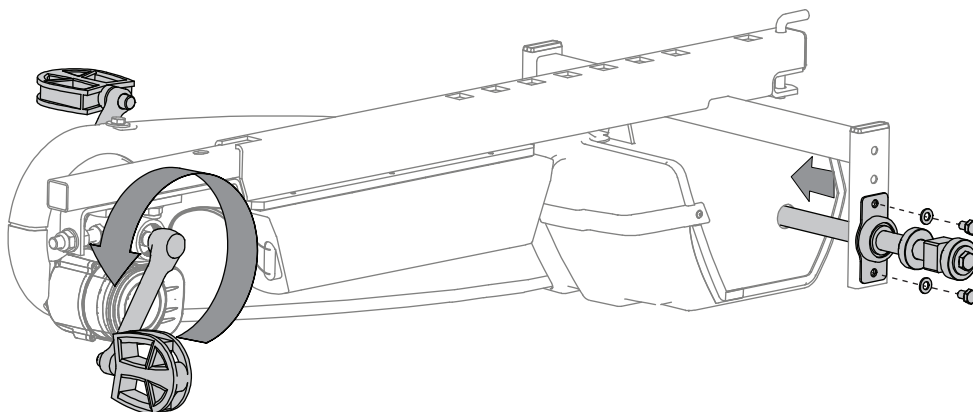
1



2

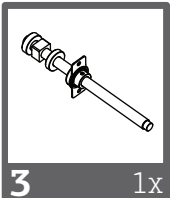
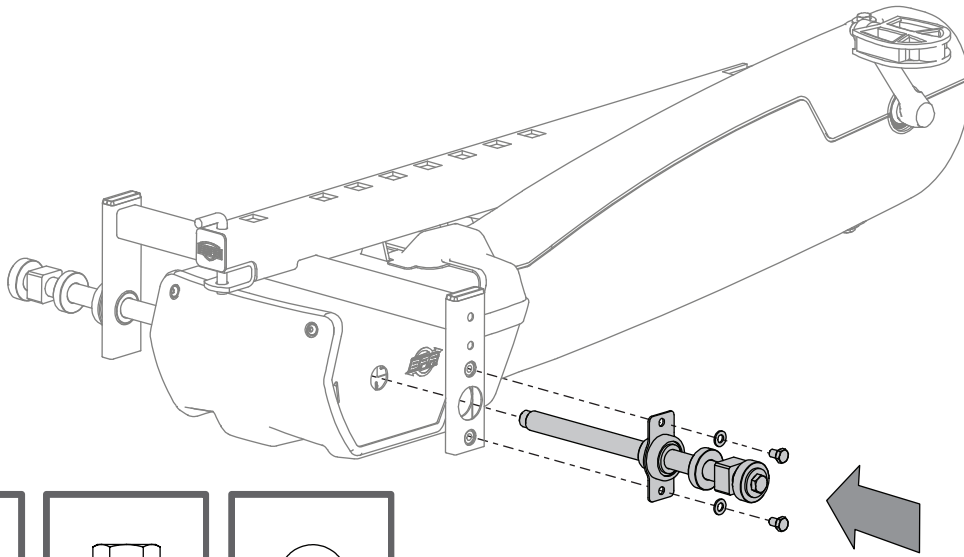


3

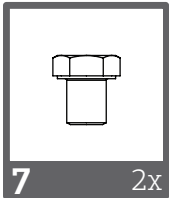




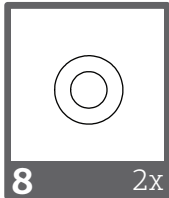
4



3 1x

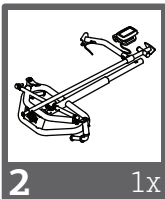
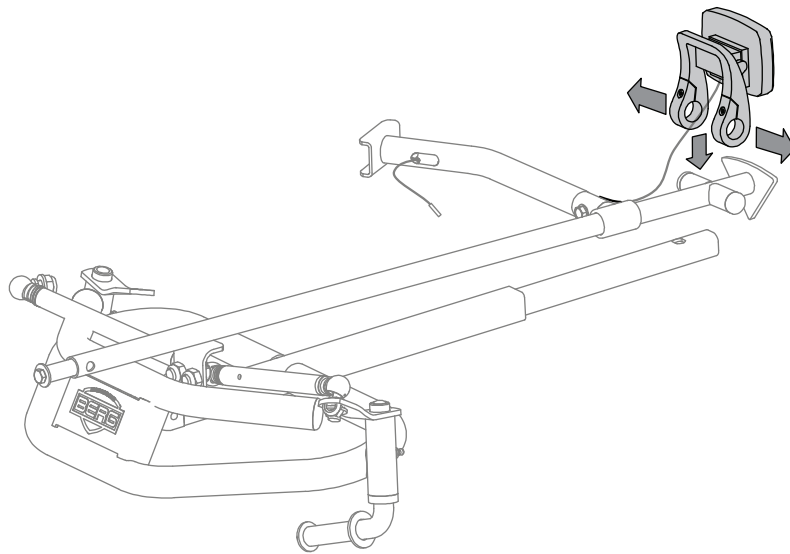


7 2x



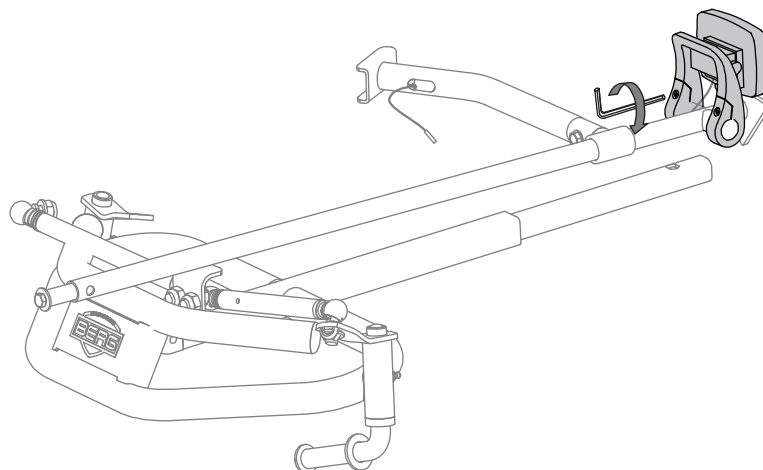
8 2x

5



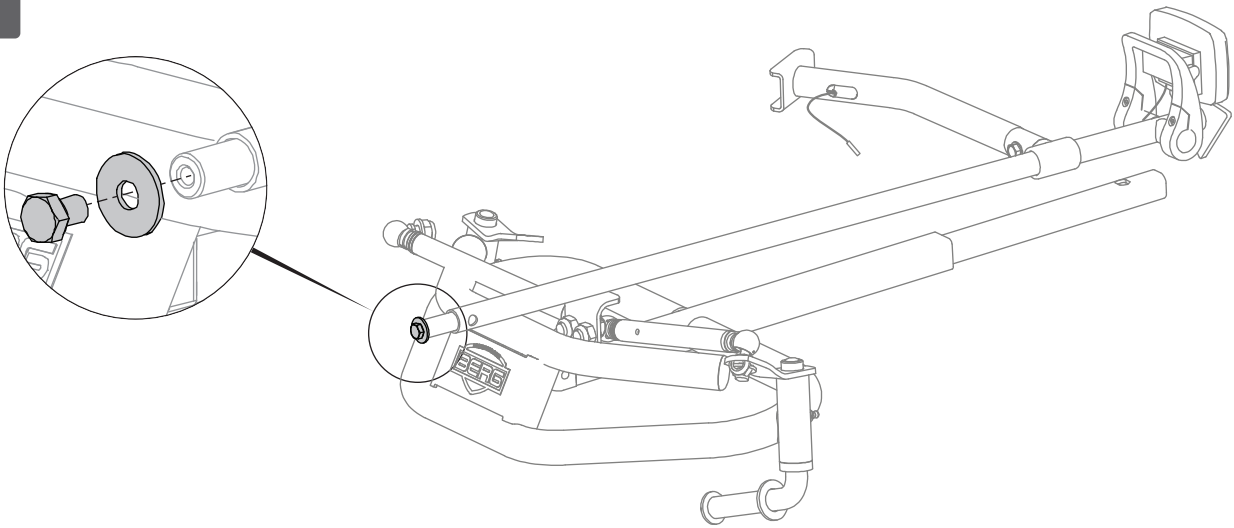
2 1x

6

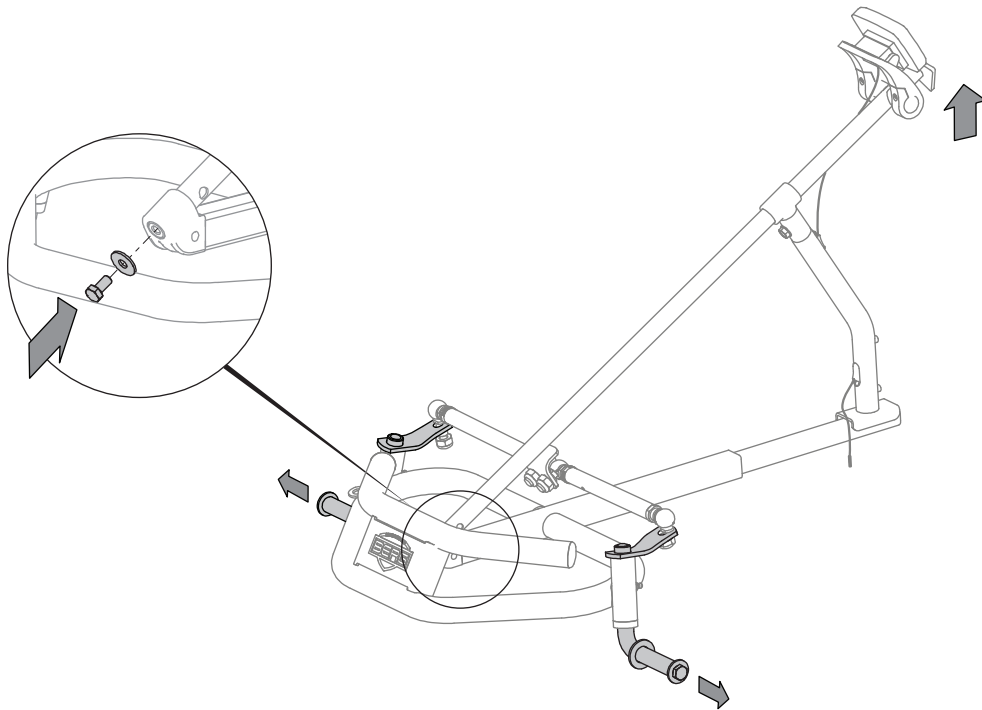




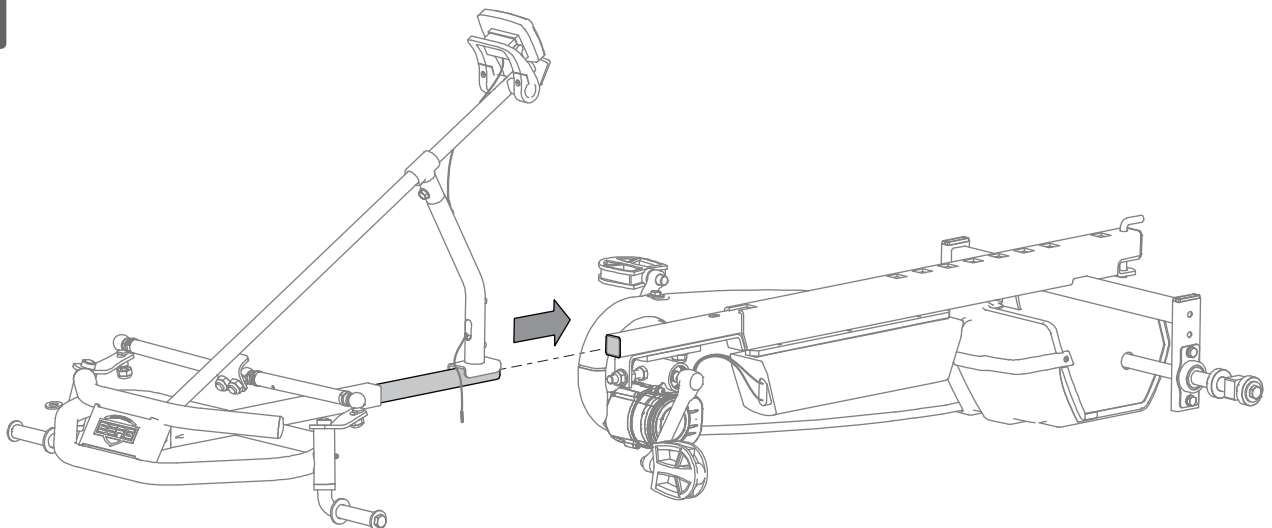
7



8

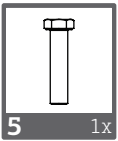
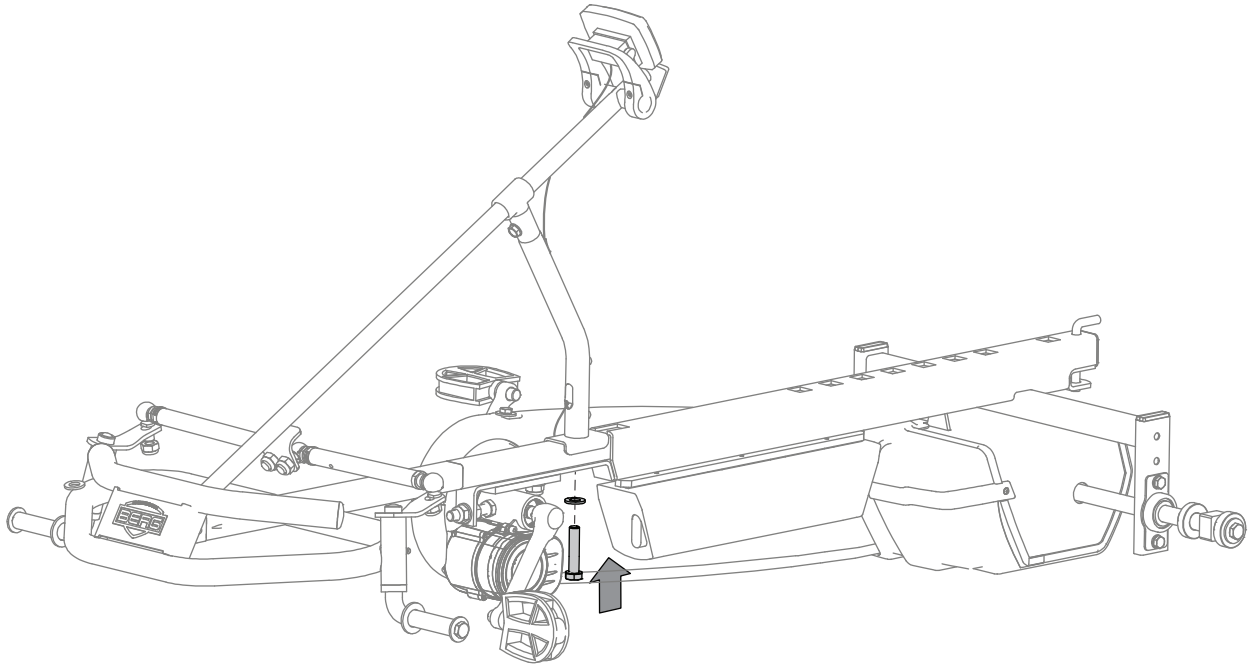


9

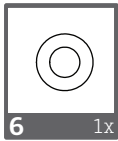




10

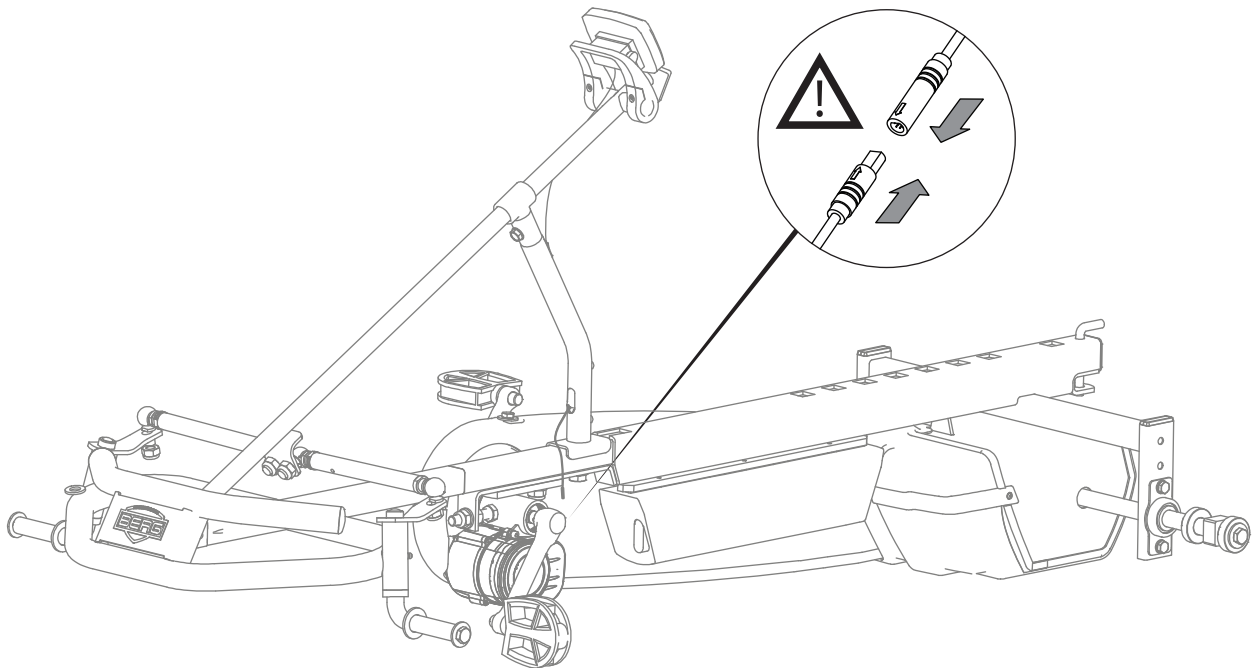


5 1x



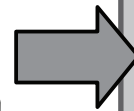
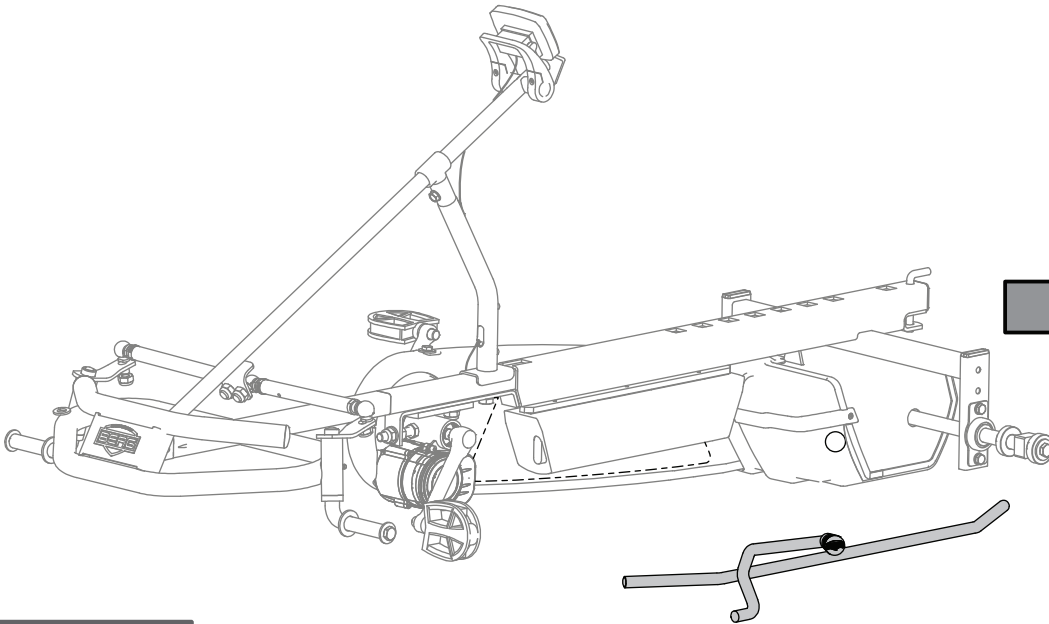
6 1x

11

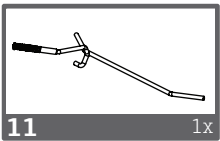




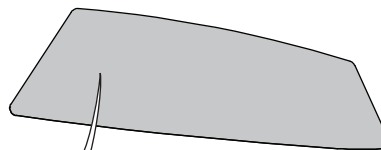
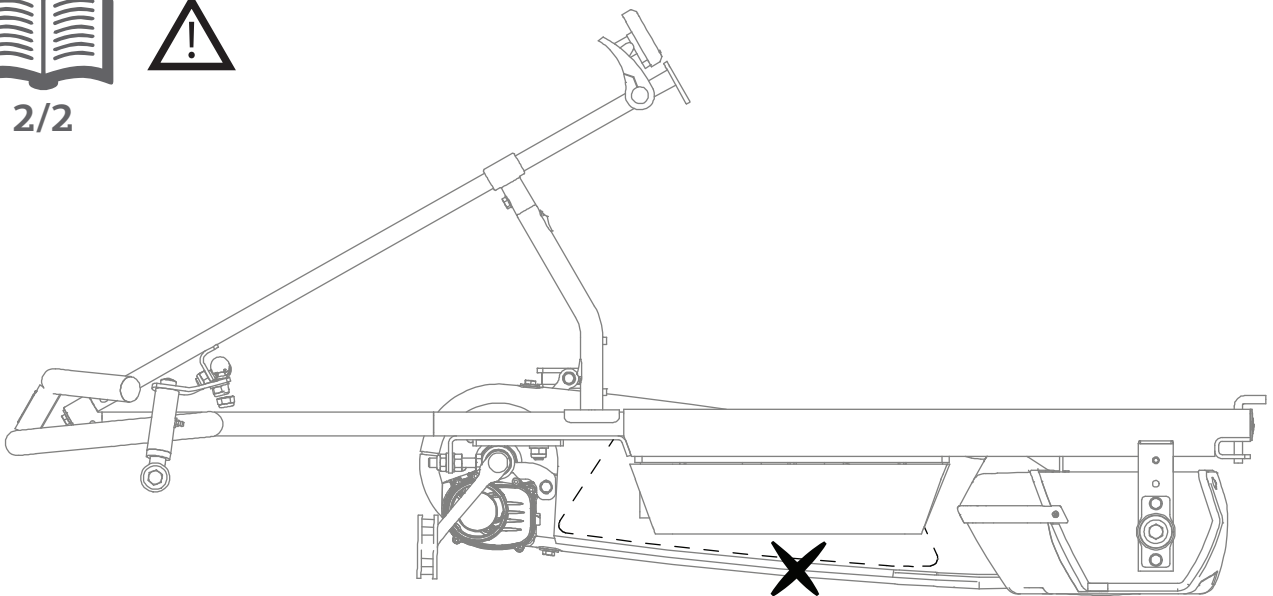
12



2/2



2/2



## Introduction

Congratulations on your purchase of a BERG product.

BERG strives to design and produce robust and safe products. Your choice for a BERG product means you have chosen a product that will give years of pleasure. Because of the continuous development of our products we retain the right to change product specifications without giving any notice.

Read the manual carefully for the required safety and maintenance instructions.

The BERG product has a long life span, but will need some maintenance from time to time. You will find the instructions for maintenance in this User's Manual. People who keep this in mind are guaranteed of a hardwearing toy that will last for many years.

Visit our homepage at [www.bergtoys.com](http://www.bergtoys.com) to find out more about BERG and see our products and accessories. You are warmly invited to send an e-mail to BERG, with your suggestions for improvement and other experiences. You can send these to [info@bergtoys.com](mailto:info@bergtoys.com).

## Content

1. Warnings
  - 1.1 General warnings
  - 1.2 Battery warnings
  - 1.3 Charger warnings
2. User guidelines
  - 2.1 Safety
  - 2.2 User instructions
    - 2.2.1 Before use
    - 2.2.2 During use
  - 2.3 Restrictions for use
3. Maintenance
  - 3.1 Maintenance scheme
  - 3.2 Maintenance activities
    - 3.2.1 Frame
    - 3.2.2 Wheels/tires
    - 3.2.3 Steering
    - 3.2.4 Driving mechanism
    - 3.2.5 Plastic parts
4. Electronic components
  - 4.1 Battery pack
    - 4.1.1 Installing the battery pack
    - 4.1.2 Removing the battery pack
  - 4.2 Charger
  - 4.3 Display
    - 4.3.1 Specifications
    - 4.3.2 Function description
    - 4.3.3 Operation procedure
  - 4.4 Range indication table
  - 4.5 Battery care and disposal
5. Warranty
  - 5.1 Warranty period
  - 5.2 Warranty regulations



## 1. Warnings

### 1.1 General warnings

- WARNING. This toy is not suitable for children under 6 years due to its maximum speed.
- WARNING. Do not use in public areas due to the risk of accidents with other vehicles, obstacles, animals and persons.
- Save areas for use are backyards or closed areas with good visibility for the supervising adult.
- This toy is not suitable for children under 6 years due to its maximum speed. Adult supervision required. Never use in roadways, near motor vehicles, on or near steep inclines or steps, swimming pools or other bodies of water and always wear shoes.
- Adults need to train children prior to first use. Especially the acceleration, the operation of the pedals and the brakes need to be thoroughly explained to the child.
- Children (under 12) may only use the product under adult supervision.
- This product may not be used on public roads.
- Do not turn sharp when driving with high speed. The go-kart can tip!
- Be aware of loose hanging pieces of clothing such as scarves and shoelaces. These can become entangled in moving parts, which can lead to accidents.
- Never ride if you are under the influence of alcohol, drugs or medicines that can negatively affect your reaction time or powers of observation.

### 1.2 Battery warnings

- Fully charge the battery pack before the first use of the e-gokart.
  - Every battery runs down over time. This process is called 'self-discharge'. A battery pack that is empty and that is not charged can reach deep discharge due to self-discharge within two months, causing it to become defective. The warranty is void in the event of deep discharge.
  - The battery pack does not need to be completely empty before charging. The battery pack will remain in good condition if you charge it after every use (regardless of the trip distance). Once the battery is fully charged, charging stops automatically. The light on the charger continues to be lit green.
  - You can leave the charger connected for long-term storage. If this is not possible, charge the battery pack fully and disconnect the charger from the battery pack. Charge the battery pack fully at least once every two months.
  - Ensure the battery pack remains within the temperature limits given below. This extends the lifespan and increases the performance of the battery pack. Furthermore, charging or the power assistance will not work outside the temperature limits.
- | Status                                   | Minimum (°C) | Maximum (°C) |
|--|--------------|--------------|
| While charging                           | 0            | 45           |
| During use                               | -10          | 45           |
| Storage (at least 60% of charging level) | -10          | 35           |
- Always charge the battery pack using the charger delivered with the e-gokart. Do not use any other charger.
  - Do not charge the battery pack in direct sunlight.
  - Do not drop the battery pack. This can damage the battery pack.
  - Remember that your e-gokart produces less assistance at lower temperatures (below 10 °C) and that the battery pack will run empty more quickly.
  - Large temperature changes can cause major differences in the battery charge indication, especially at low temperatures and with a low charge on the battery pack.
  - Do not open the battery, an electric shock is possible.
  - Keep the battery away from salt and acidic liquids.
  - Do not operate the battery with external damage.
  - Do not short circuit the battery.
  - Keep the battery away from heat and fire.

## 1.3 Charger warnings

- Do not use this charger for any other products. It is intended for Li-Ion battery powered vehicles only.
- Do not connect the charger to the mains voltage when it is not used.
- Disconnect the charger from the battery before you start riding.
- Make sure that the charger does not get wet.
- Do not damage the charger.
- Do not operate the charger if it has been impacted, dropped, or damaged in any way. Examine the charger and battery before each use and replace if wear or damage is found.
- The charger is designed to operate on standard household electrical power (200-240V or 110V using the converter). Do not attempt to use the charger on any other voltage level!
- Never modify the electrical system as this may result in a risk of electric shock, electrocution or fire.
- To reduce risk of damage to the charger, pull from the plug rather than the cord when removing from an outlet.
- Make sure the cord is located so that it will not be stepped on, tripped over, or otherwise subjected to damage or stress.
- An extension cord should not be used unless absolutely necessary. Use of an improper extension cord could result in the risk of fire, electric shock, or electrocution.
- To prevent electric shock, do not immerse the charger or battery in water when cleaning. To clean, remove the charger/battery plug from the outlet and wipe with a dry cloth.
- Do not place any object on top of the charger or place the charger on a soft surface that may result in excessive heat. Place the charger away from any heat sources.
- When charging is complete, disconnect the charger from the wall outlet and the battery. Place the battery and charger in a place out of reach from children.
- Keep battery and charger in a dry place out of reach of children.
- Do not disassemble the charger or attempt to repair a damaged charger. If the charger is damaged contact your BERG Dealer.
- This appliance is not intended for use by persons with reduced physical, sensory or mental capabilities, or lack of experience and knowledge, unless they have been given supervision or instruction concerning use of the appliance by a person responsible for their safety.

## 2. User guidelines

BERG or the dealer cannot be held responsible for improper use of this product. Read these guidelines before use to properly and safely use this product. BERG cannot be held responsible for any omissions in this manual.

### 2.1 Safety

BERG cannot be held liable for any omissions to this user manual. Always pay attention to the highest possible safety measures. If you have questions or are not sure of something, then visit your local dealer or contact BERG.

### 2.2 User instructions

Only use your BERG product as instructed below. Any unauthorized use could result in serious injuries to the user and/or the product.

#### 2.2.1 Before use

- Adjust the seat and steering wheel to the correct position, according to the size of the user.
- Make sure the steering, brakes and tires are functioning correctly and the bolts and nuts are fixed.
- Protective covers, which have been removed for maintenance purposes, should always be put back in the original state before use.
- Check the tire pressure and make sure it meets the norm as shown on the tire. See maintenance.
- The adult is responsible for instructing the child how to operate this product safely.
- Instruct the child of how to use the brake.

#### 2.2.2 During use

- Ride at a suitable speed where you have control.
- Always pay attention to the environment.
- Brake the product always using the back pedal brake.
- Always ride on a smooth surface without obstacles.
- Wearing protective gear is not mandatory but in the interest of safety it is advised.
- Make sure that the product cannot run away when the product is parked. This is possible by using the parking brake.
- Do not place any unnecessary objects on or against the steering. Make sure that the steering always functions properly.
- Use the back pedal brake by pedalling backwards.
- For extra power while braking use the parking brake.

### 2.3 Restrictions of use

- This product may not be used on public roads.
- Do not ride backwards at great speeds. Doing this could make you lose control.
- Collisions or other stunts increase the chance on injury to both the user and the product and are not allowed.
- Avoid contact with moving parts while riding the product.
- Do not get on or off the product while it is moving.
- Do not overload the product. Maximum user weight is 100 kg.
- Never ride in the dark without lights.
- Do not ride across a slope (rather than up or down) and make sharp turns during high speed, there is a risk the product can tip over.
- Going downhill considerably increases your speed and accidents can occur. The braking distance will also be longer! It is not allowed to use this product on hills or slopes (up and downhill).

## 3. Maintenance

Some maintenance is necessary in order to use the BERG product and have fun with it for a long time. This chapter describes how often, and which maintenance must be carried out.

### 3.1 Maintenance scheme

Daily	Monthly	Half yearly	Yearly
<p><b>Wheels/tires</b> Check for damage and wear. Check the tire pressure and if necessary increase the pressure, do this outside of direct sunlight in a cool place.</p>	<p><b>Frame</b> Clean and check all nuts and bolts. Check the frame for any cracks and fractures.</p> <p><b>Driving gear</b> Check chains for correct tension. Chain greasing.</p> <p><b>Steering</b> Check all nuts and bolts. Lubricate the moving parts. Clean and oil the chains.</p>	<p><b>Driving mechanism</b> Check for correct functioning of bearings, chain, hub, sprockets and axles.</p>	<p><b>Plastic parts</b> Clean the plastic parts and check for damage.</p>

### 3.2 Maintenance activities

This chapter describes how often, and which maintenance must be carried out.

#### 3.2.1 Frame

- The frame is powder-coated or black zinc plated. To prevent any rust forming it is important to regularly clean the frame. If you want to conserve the frame with grease, only use acid free substances. You can treat damaged areas with paint.
- Check the bolts and nuts for rust and replace them to prevent them from breaking which can cause injuries.

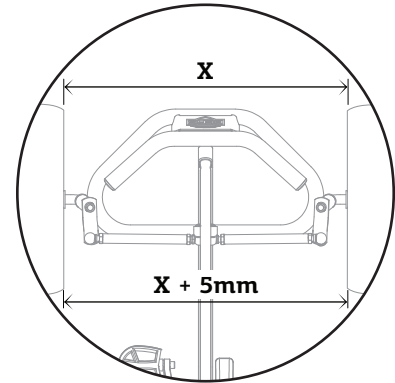
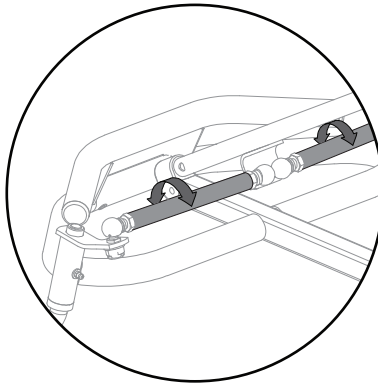
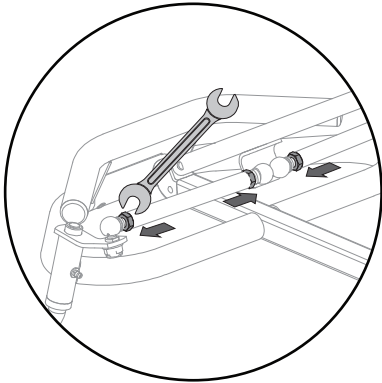
#### 3.2.2 Wheels/tires

- Regularly check the rims and tires for any damage (for example cuts, cracks and bulges). Attention: damaged rims and tires can lead to accidents! The tires must not come into contact with oil, grease or fuel.
- The correct tire pressure is shown on the outside of the tire. If the tires are at the correct pressure the product will be light and easy to handle. If the pressure is too low, the tires will leak quicker and will suffer excessive wear and tear. If the tire pressure is too high, the tire can for example come away from the rim, resulting in dangerous situations. Attention: remember that in bright sunlight and at high temperatures the tire pressure increases! Make sure that the valve caps are always fitted on the valves.

### 3.2.3 Steering

The steering equipment must be checked every month for the following:

- Damage and/or wear and tear to steering equipment.
- All the nuts and bolts must be tightened.



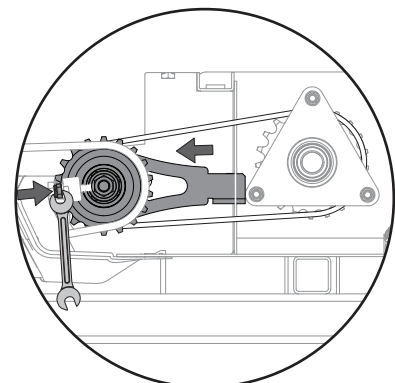
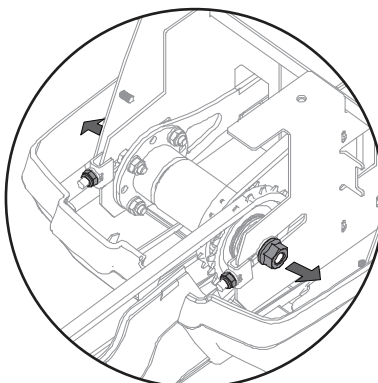
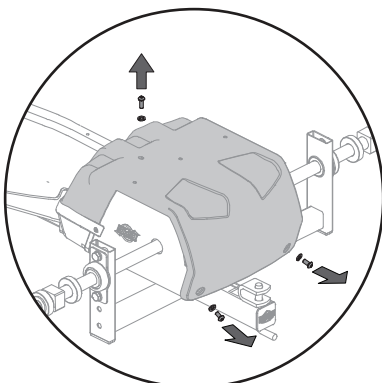
### 3.2.4 Driving mechanism

#### Chain

The go-kart has a driving mechanism with two chains. Make sure that the chains are sufficiently oiled so that they can run freely. If a chain is too tightly tensioned, the go-kart will be more difficult to pedal and there is a big chance that wear and tear of the chains and sprocket, among other things, will occur faster. If a chain is not tight enough, then the chain can easily come off the sprocket, or there is a chance of damage to the chain housing. When both chains must be tensioned, always begin with the rear/short chain.

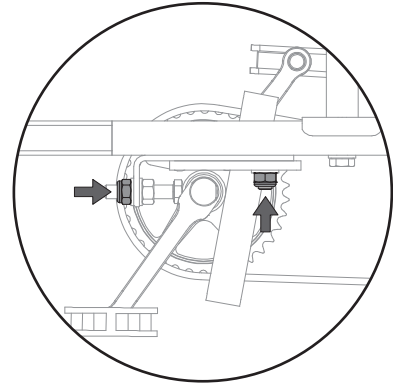
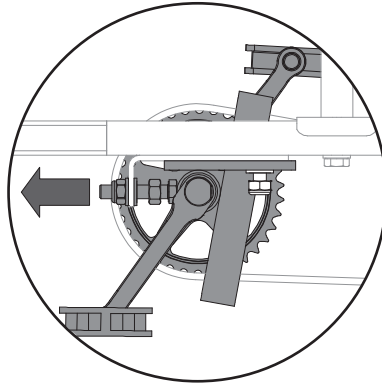
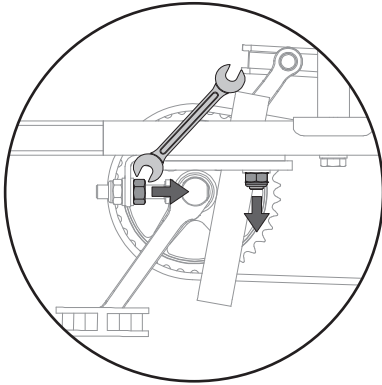
To tension the rear chain:

- Remove the protective hood.
- Loosen the nuts of the hub.
- Tension the chain by moving the hub forwards.
- Make sure that the hub remains exactly parallel to the rear axle.
- Tighten the hub nuts again.
- Tighten the hub nuts again and place the black plastic cap back in its original position.
- The chain has the correct tension if the middle can be pushed 6 millimeters downwards.
- Tighten the four bolts again. Keep the sprocket wheel parallel to the chain guard.
- Mount the chain guard when the chain has the correct tension.
- The chain guard has to be removed to grease the chain and check the chain tension.



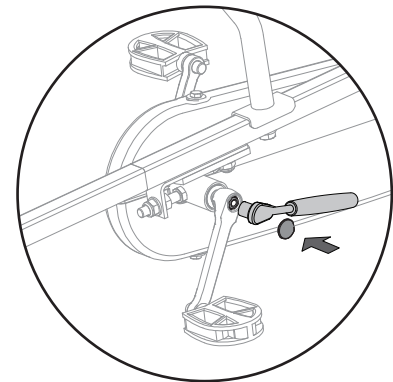
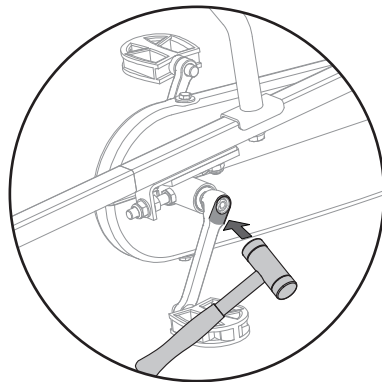
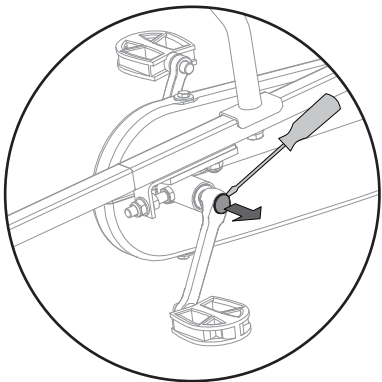
### Tensioning the front chain:

- Loosen the bolts on the underside of the frame.
- Tension the chain by moving the crank axle forwards.
- Tighten the bolts again. It must be possible to push the middle of the chain downwards by 10 millimetre. To check this you must remove the lower half of the chain housing.



### Crank adjustment

After using the new product for several days (intensive use) or for up to two weeks (normal use) after purchase, the mounting bolts with which the left and right cranks are mounted must be tightened again (see illustration below). Note that they must be 'hand tightened', that is to say with a tightening moment of 30 Nm at the maximum (it is a normal effect that after a short period of use, as a result of the force applied to the pedals, the crank assembly settles). An effect when this isn't done regularly, is that a certain amount of play can occur, which can lead to damage to the crank and the crank axle. This play can be taken up by tightening the bolts further.



### Hub

The brake freewheel works like a back-peddalling brake and has a neutral. The brake freewheel can be put in reverse. The tension of the chain has to be checked every six months.

### 3.2.5 Plastic parts

The plastic and/or wooden parts must be checked regularly for damage and breakage. In the case of breakage you must immediately replace the part concerned with an original part, in order to guarantee the safety of the user.

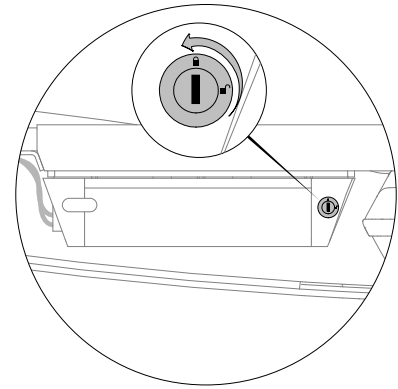
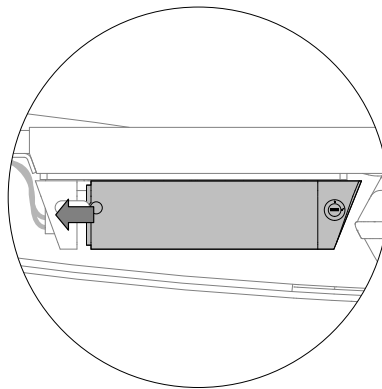
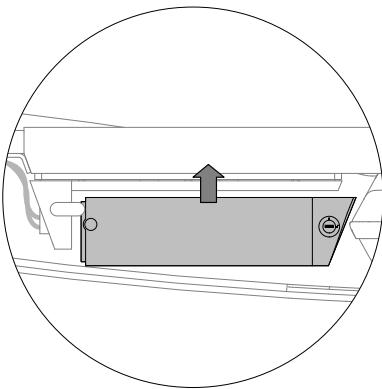
## 4. Electric components

### 4.1 Battery pack

#### 4.1.1 Installing the battery pack

- Place the key inside the lock
- Make sure the key is in unlocked position
- Carefully push the battery pack alongside the guide rail until the back side connects to the front side without any gap.
- Turn the key in locked position.
- Remove the key, and keep it out of reach of children.
- Make sure that the cover of the charging plug is closed.
- Make sure the battery pack is locked by pulling it backwards.
- Make sure to keep your keys in a secure place.
- If the battery doesn't function check the contact surface between the battery pack and the docking station, it must be free from dirt and moisture to make sure the e-gokart works correctly. Use a clean cloth to clean it if required. Much moisture and dirt can lead to contact problems and/or faults. If it's still not working contact your dealer.

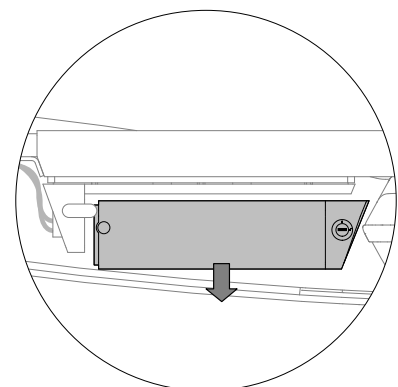
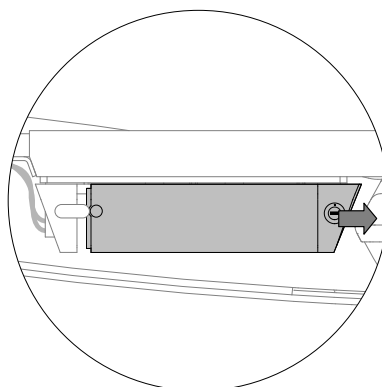
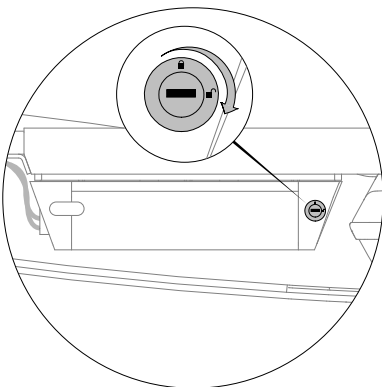
A correctly installed battery pack can no longer be removed without a key.



#### 4.1.2 Removing the battery pack

- Make sure that the cover of the charging plug is closed.
- Insert the key in the lock.
- Turn the key to unlocked position
- Remove the battery pack by firstly moving it towards the rear chainguard and secondly moving it downwards.

Always remove the battery pack with 2 hands to prevent the battery pack from falling.



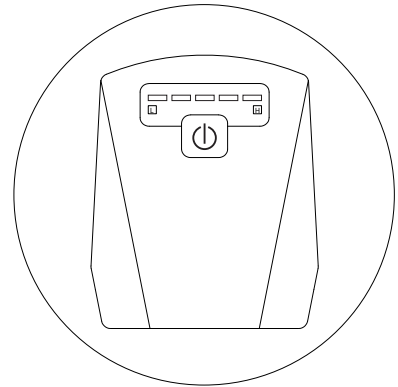
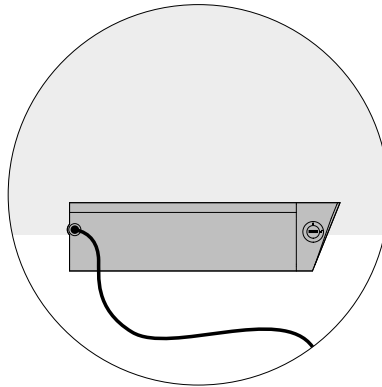
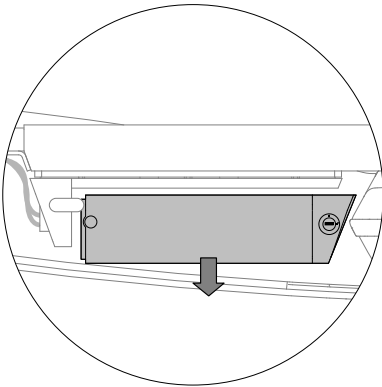
## 4.2 Charger

The average charge time is 6 hours (at an empty battery).

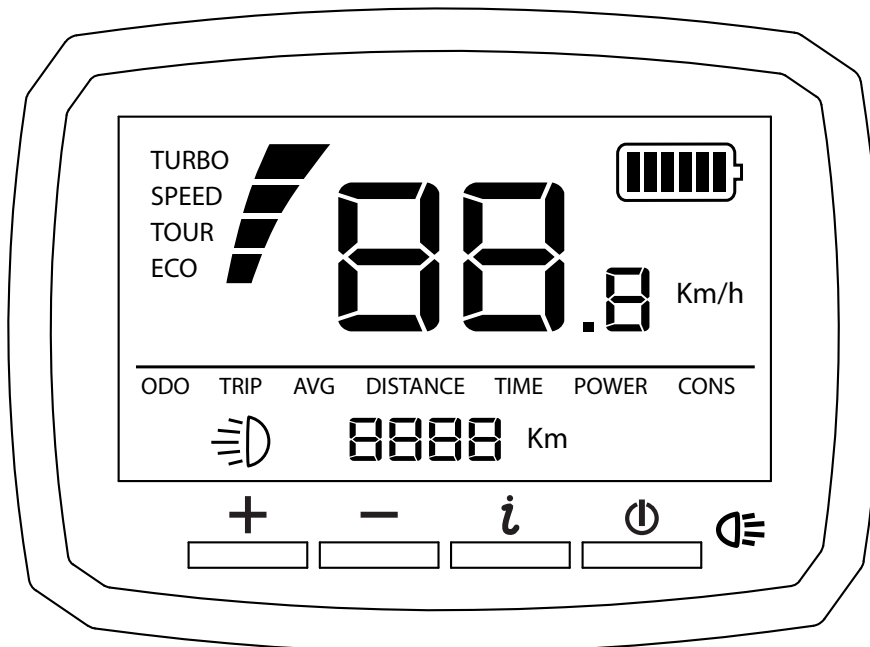
### Charging the battery pack

- The battery charger is only to be used by an adult.
- Check whether the main cord is connected to the charger.
- Connect the charger to the mains voltage. The green indicator lamp will light up.
- Connect the plug to the battery charging point.
- When pushing the off button the LED lights on the battery pack will display the battery charge. Every green LED represents 25%.
- When the charger shows a green light, the battery pack is fully charged

The battery can only be charged separate from the gokart.



## 4.3 Display



### 4.3.1 Specifications

Type:	VLCD-5
Working voltage:	DC11V-60V
Max working current:	70mA(11V) 32mA(50V)
Blacklight brightness:	200cd/m <sup>2</sup>



### 4.3.2 Function description

- Speed display  
Shows current speed
- Consumption indicator  
Six horizontal blocks show the energy level of the battery (each block represents 17% of electric energy), flickering to remind you to charge the battery.
- Trip distance (resets when the power is off)  
Shows trip distance.
- Odograph (ODO)  
Shows total distance.
- Average speed (AVG)  
Shows average speed.
- Power assist  
Show power assist. 4 levels of power assist which adjustable.
- Display backlight  
Switch between 2 levels brightness, default is backlight off.

### 4.3.3 Operation procedure

#### Button definition

- + More/higher
- Less/lower
- i Menu
- ⏻ On/off and backlight

⏻ Press this button to have power, press this button for 2 seconds to turn off the power. The system automatically shuts off without any operations for 5 minutes.

+ / - There are 4 levels of power assist (Eco, Tour, Speed and Turbo). Press these buttons to adjust the power assist from low to high.

i There are 4 mode pages (odometer, trip distance, average speed, one way time). Press this button to adjust the mode.

#### Basic functions

- Use the ⏻ button to switch on the backlight when the power is on
- In the menu at trip distance (TRIP), press the i button for 2s to reset the counter and time.
- In the menu at average speed (AVG), shows average speed (average speed=trip distance / movement time)
- In the menu at movement time (TIME), shows the time of a single trip.

#### Failure codes

Error	Type of error	How to solve
ERR-01	Sensor failure	Contact your local dealer
ERR-02	Motor hall fault or motor short circuit	Restart using the ⏻ button
ERR-03	Controller failure	Contact your local dealer
ERR-05	Low energy alarm	Charge the battery
ERR-06	Cyclist's feet on the pedal when starting	Restart without your feet on the pedal

#### 4.4 Range indication

The range depends on various factors and is influenced by the following:

- Capacity (Ah) and voltage (V) of the battery pack.
- Pedal assistance level
- Pedal assistance mode or riding program.
- Ambient temperature
- Wind force
- Tyre pressure
- Riding speed
- Weight of the rider and the load
- Riding behaviour
- Road conditions
- Use of gears
- The range will perceptibly decrease as the battery pack gets older.

#### 4.5 Battery care and disposal

##### Care

- If a battery leak develops, avoid contact with the leaking acid and place the damaged battery in a plastics sealed bag.
- If acid comes in contact with skin or eyes, flush with cool water for at least 15 minutes and call a physician immediately.
- Charge a new battery for at least 12 hours before first use.
- Overcharging or undercharging the battery may shorten battery life and decrease vehicle running time.
- Charge the battery after each use, regardless of how long the vehicle has been used.
- Do not allow the battery to run down completely before charging.
- Change the battery before storing the vehicle.
- Charge the battery at least 3 hours every 3 months when not in use.
- Leaving the battery in a discharged condition will ruin it.
- If the vehicle will be stored for more than two months, be sure to disconnect the motor harness from the battery.
- Prevent the battery from moving freely inside the battery compartment.
- Examine the battery, charger and its connector for excessive wear or damage each time you charge the battery. If damage is detected, do not use the charger or the battery until you have replaced the worn or damaged part.
- Remember to remove an exhausted battery from the vehicle.
- Battery leakage and corrosion can damage the vehicle.
- Do not clean the battery with high pressure water.
- Remove the battery from the vehicle when not in use.

##### Disposal of battery and charger



- Recycle battery and charger in an environmentally friendly manner.
- Do not dispose of your battery in a fire as the battery may catch fire or explode.
- Do not dispose of your battery in your regular household trash. The incineration, landfilling, or mixing of batteries with household trash is prohibited.
- Return an exhausted battery to a recognized recycler. Contact your local waste management officials for other information regarding the environmentally sound collection, recycling, and disposal of batteries.

## 5. Warranty

### 5.1 Warranty period

The owner of this BERG product has the following warranty on this product:

- The frame has a warranty of 2 years from the date of purchase
- Other parts have a warranty of 1 year from the date of purchase.
- Parts that are liable to wear and tear (such as chains and tires) are excluded from warranty.
- Check [www.bergtoys.com](http://www.bergtoys.com) for extensive warranty regulations.

### 5.2 Warranty regulations

The owner of the product can only claim a warranty by presenting the original bill of the purchase. The warranty only applies to material and construction faults and with respect to this product or parts thereof. The warranty lapses if:

- The product is incorrectly and/or carelessly used.
- Use of the product is not in accordance with its purpose.
- The product is not assembled and maintained in conformance with the user manual.
- Technical repairs to the product are not carried out in a professional way.
- Parts mounted afterwards do not meet technical specifications of the product involved or have not been mounted correctly.
- Added parts or replaced parts are no official BERG spare-parts or accessories.
- Deficiencies arise as a result of climate influences, such as rust or normal weathering of the paint work.
- The product has been used for rental purposes or in any other way made available to several unspecified persons.
- The battery pack, display or the charger is found being opened.

Under no circumstances can BERG be held responsible for damage to the products (of parts thereof) as a result of:

- Incorrect adjustment/tightening of the steering, the steering mechanism, chains, tires and gear hub.
- Replacement of parts such as the chain and tires not being carried out in time.

During the warranty period, all material and construction faults assessed by BERG will be repaired or replaced at the discretion of BERG.

The owner of the product can only lay claim under this warranty by returning to the company where the product was bought. Besides the complaint, take the product serial number and original purchase receipt with you. You can find the serial number on the frame of the product.

If the claim under the warranty is refused, all costs incurred must be paid by the owner.

The warranty is not transferable to third parties.

## Introductie

Gefeliciteerd met uw aankoop van een BERG skelter.

BERG streeft ernaar om robuuste en veilige producten te ontwerpen en produceren. Uw keuze voor een BERG product betekent dat u gekozen heeft voor een product dat een garantie is voor jaren van speelplezier. In verband met constante ontwikkeling van onze producten behouden wij het recht om productspecificaties te wijzigen zonder verdere berichtgeving.

Lees deze gebruikshandleiding zorgvuldig door voor de benodigde veiligheids- en onderhoudsinstructies.

Het BERG product heeft een lange levensduur, maar zal van tijd tot tijd onderhoud nodig hebben. U kunt de instructies om het product te onderhouden vinden in deze handleiding. Mensen die deze instructies volgen kunnen zeker zijn van een degelijk product dat vele jaren mee gaat.

Bezoek onze website op [www.bergtoys.com](http://www.bergtoys.com) om meer informatie over BERG, onze producten en accessoires te vinden. U bent welkom om een e-mail naar BERG te sturen met eventuele suggesties voor verbeteringen en andere ervaringen. U kunt deze naar [info@bergtoys.com](mailto:info@bergtoys.com) sturen.

## Inhoud

1. Waarschuwingen
  - 1.1 Algemene waarschuwingen
  - 1.2 Accu waarschuwingen
  - 1.3 Lader waarschuwingen
2. Gebruiksrichtlijnen
  - 2.1 Veiligheid
  - 2.2 Gebruiksaanwijzingen
    - 2.2.1 Voor gebruik
    - 2.2.2 Tijdens gebruik
  - 2.3 Regels voor gebruik
3. Onderhoud
  - 3.1 Onderhoudsschema
  - 3.2 Onderhoudswerkzaamheden
    - 3.2.1 Frame
    - 3.2.2 Wielen/banden
    - 3.2.3 Stuurinrichting
    - 3.2.4 Aandrijfmechanisme
    - 3.2.5 Kunststof onderdelen
4. Elektronische onderdelen
  - 4.1 Accu
    - 4.1.1 De accu installeren
    - 4.1.2 De accu verwijderen
  - 4.2 Lader
  - 4.3 Display
    - 4.3.1 Specificaties
    - 4.3.2 Functiebeschrijving
    - 4.3.3 Bediening
  - 4.4 Indicatie actieradius
  - 4.5 Zorg voor de accu en afvoeren van de accu
5. Garantie
  - 5.1 Garantie periode
  - 5.2 Garantie verordening

## 1. Waarschuwingen

### 1.1 Algemene waarschuwingen

- **WAARSCHUWING.** Deze skelter is niet geschikt voor kinderen jonger dan 6 jaar vanwege de maximumsnelheid van de skelter.
- **WAARSCHUWING.** Gebruik de skelter niet in openbare ruimten in verband met het risico op aanrijdingen met andere voertuigen, obstakels, dieren en personen.
- Veilige gebieden voor gebruik zijn achtertuinen of afgesloten terreinen waar de toezichthoudende volwassene goed zicht heeft op het gebruik van de skelter.
- Deze skelter is niet geschikt voor kinderen jonger dan 6 jaar vanwege de maximumsnelheid van de skelter. Toezicht door een volwassene is vereist. Gebruik de skelter nooit op de rijweg, in de buurt van motorvoertuigen, op of nabij steile hellingen of trappen, zwembaden of andere plekken met water en draag altijd schoenen.
- Voor het eerste gebruik moeten kinderen uitleg krijgen van volwassenen. Vooral de versnelling en de bediening van de pedalen en remmen moeten goed aan het kind worden uitgelegd.
- Kinderen (onder 12 jaar) mogen het product alleen gebruiken onder toezicht van een volwassene.
- De skelter mag niet op de openbare weg gebruikt worden.
- Maak geen scherpe bochten op hoge snelheid. De skelter kan kantelen.
- Pas op voor loshangende delen aan kleren zoals losse koordjes, sjaals, schoenveters e.d. Deze kunnen verstrikt raken in bewegende delen wat kan leiden tot ongelukken.
- Rijd nooit onder invloed van alcohol, drugs of medicijnen die een negatief effect kunnen hebben op uw reactietijd of oplettendheid.

### 1.2 Accu waarschuwingen

- Laad de accu voor het eerste gebruik van de e-skelter volledig op.
  - Een accu loopt na verloop van tijd altijd leeg. Dit proces heet 'zelfontlading'. Een lege accu die niet wordt opgeladen, kan door zelfontlading binnen twee maanden te diep ontladen en daardoor defect raken. In het geval van diepontlading geldt de garantie niet.
  - De accu hoeft niet helemaal leeg te zijn voordat u deze weer oplaadt. De accu blijft in goede conditie wanneer u deze na ieder gebruik oplaadt (ongeacht de afstand die is afgelegd). Het opladen stopt automatisch wanneer de accu helemaal is opgeladen. Het lampje op de lader blijft groen branden.
  - U kunt de lader aangesloten laten op de accu als u de skelter langdurig stalt. Als dat niet mogelijk is, laadt u de accu helemaal op en koppelt u de lader los van de accu. Laad de accu minstens iedere twee maanden helemaal op.
  - Zorg dat de temperatuur van de accu binnen de hieronder aangegeven grenzen blijft. Dit verlengt de levensduur en verbetert de prestaties van de accu. Bovendien kan de accu niet worden opgeladen en werkt de trapondersteuning niet als de temperatuur te hoog of te laag is.
- | Status   | Minimum (°C) | Maximum (°C) |
|--|--------------|--------------|
| Tijdens opladen                                  | 0            | 45           |
| Tijdens gebruik                                  | -10          | 45           |
| Tijdens stalling (ten minste voor 60% opgeladen) | -10          | 35           |
- Laad de accu altijd op met de lader die bij de e-skelter is geleverd. Gebruik geen andere lader.
  - Laad de accu niet op in direct zonlicht.
  - Laat de accu niet vallen. Dit kan de accu beschadigen.
  - Vergeet niet dat de e-skelter minder ondersteuning biedt bij lagere temperaturen (lager dan 10 °C) en dat de accu dan sneller leegloopt.
  - Grote veranderingen van temperatuur kunnen ertoe leiden dat de laadindicator van de accu grote verschillen aangeeft, vooral bij lage temperaturen en bij een accu die weinig opgeladen is.
  - Open de accu niet, dit kan een elektrische schok geven.
  - Houd de accu uit de buurt van zout en zuurhoudende vloeistoffen.
  - Gebruik de accu niet als deze aan de buitenkant beschadigd is.
  - Voorkom kortsluiting van de accu.
  - Houd de accu uit de buurt van hitte en vuur.

## 1.3 Lader waarschuwingen

- Gebruik deze lader niet voor andere producten. De lader is alleen bedoeld voor voertuigen die werken op een Li-ion-accu.
- Sluit de lader niet aan op netspanning als de lader niet wordt gebruikt.
- Koppel de lader los van de accu voordat u de e-skelter gebruikt.
- Zorg dat de lader niet nat wordt.
- Beschadig de lader niet.
- Gebruik de lader niet als deze een klap heeft gehad, is gevallen of op welke manier dan ook is beschadigd. Controleer de lader en de accu voor ieder gebruik en vervang deze als u slijtage of schade constateert.
- Deze lader is bedoeld voor gebruik op het lichtnet (200-240V of 110V met gebruik van de converter) Probeer niet de lader te gebruiken bij een ander spanningsniveau!
- Pas het elektrische systeem niet aan en gebruik geen bypass; dit kan het risico op een elektrische schok, elektrocutie of brand met zich meebrengen.
- Trek aan de stekker en niet aan het snoer wanneer u de lader uit het stopcontact haalt, om het risico op schade aan de lader te verkleinen.
- Zorg dat het snoer zo is gepositioneerd dat niemand er op kan gaan staan of erover kan struikelen en dat het snoer geen schade kan oplopen.
- Gebruik alleen een verlengsnoer als dat absoluut noodzakelijk is. Gebruik van een ongeschikt verlengsnoer kan leiden tot het risico van brand, elektrische schok of elektrocutie.
- Dompel de lader of de accu bij het schoonmaken niet onder in water, om een elektrische schok te voorkomen. Als u de lader of de accu wilt schoonmaken, haalt u de stekker uit het stopcontact en veegt u de lader of de accu schoon met een droge doek.
- Plaats geen voorwerpen op de lader en plaats de lader niet op een zachte ondergrond. Dit kan leiden tot excessieve warmteontwikkeling. Plaats de lader niet in de buurt van een warmtebron.
- Koppel de lader los van het stopcontact en de accu wanneer het laden is voltooid. Leg de accu en de lader op een plek buiten bereik van kinderen.
- Berg de accu en de lader op een droge plaats op, buiten bereik van kinderen.
- Haal de lader niet uit elkaar en probeer niet een beschadigde lader te repareren. Neem contact op met uw Berg-dealer als de lader beschadigd is.
- Dit apparaat mag niet worden gebruikt door personen met een fysieke, motorische of geestelijke beperking of door personen met beperkte ervaring met en kennis over het gebruik, tenzij zij het apparaat gebruiken onder toezicht van of instructies over het gebruik van het apparaat hebben gekregen van een persoon die verantwoordelijk is voor hun veiligheid.

## 2. Gebruiksrichtlijnen

BERG of de dealer kan niet verantwoordelijk gehouden worden voor ongepast gebruik. Lees deze richtlijnen voor gebruik, als een instructie om het product op een gepaste en veilige manier te gebruiken. BERG kan niet aansprakelijk gesteld worden voor weglatingen in deze gebruikshandleiding.

### 2.1 Veiligheid

BERG kan niet aansprakelijk gesteld worden voor wegalatingen in deze gebruikshandleiding. Besteed altijd aandacht aan de hoogst geldende veiligheidsinstructies. Als u vragen hebt of niet zeker bent van de informatie, kunt u contact opnemen met uw lokale Berg dealer of BERG.

### 2.2 Gebruiksaanwijzingen

Gebruik uw BERG product alleen zoals aangegeven in de onderstaande instructies. Afwijkend gebruik kan leiden tot serieuze letsels aan de gebruiker of beschadiging van het product.

#### 2.2.1 Voor gebruik

- Verstel het stuur en de stoel naar de correcte positie aan de hand van de afmetingen van de gebruiker.
- Zorg dat het stuur, rem en de wielen correct functioneren en dat bouten en moeren goed aangedraaid zijn.
- Wanneer beschermkappen voor onderhoud worden verwijderd, monteer deze dan altijd voor gebruik weer op de originele manier.
- Controleer de bandendruk en zorg er voor dat deze voldoet aan de norm zoals vermeld op de band. Zie onderhoud.
- Volwassenen zijn verplicht om het kind te instrueren hoe het product veilig gebruikt kan worden.
- Instrueer het kind hoe de rem te gebruiken.

#### 2.2.2 Tijdens gebruik

- Rijd op een gepaste snelheid waarbij u genoeg controle over de skelter hebt.
- Let altijd goed op de omgeving tijdens het gebruik.
- Rem altijd op de voorgeschreven wijze door gebruik te maken van de terugtraprem.
- Rijd altijd op een vlak oppervlak zonder obstakels.
- Het dragen van beschermende kleding is niet verplicht maar wordt om veiligheidsredenen aangeraden.
- Zorg dat het product, wanneer het geparkeerd is, niet weg kan rollen. Dit kan door het inschakelen van een parkeerrem.
- Plaats geen onnodige voorwerpen op of aan het stuur. Zorg dat het stuur. Zorg dat het stuur alrijd goed blijft functioneren.
- Gebruik de terugtraprem door achteruit te trappen.
- Gebruik de parkeerrem om met extra kracht te remmen.

### 2.3 Regels voor gebruik

- De skelter mag niet op de openbare weg gebruikt worden.
- Rijd niet achteruit met hoge snelheid. Dit kan leiden tot verlies van controle.
- Botsingen of andere stunts zorgen voor een hogere kans op letsel aan de bestuurder(s) en het product en zijn niet toegestaan.
- Voorkom contact met de bewegende delen tijdens het rijden.
- Stap niet op of af als het product in beweging is.
- Overschrijd het maximaal toegestane gewicht niet van 100kg.
- Rijd nooit in het donker zonder goede verlichting.
- Rijd niet schuin over een helling of maak geen scherpe bochten bij hoge snelheid, er is een risico dat het product om kan slaan!
- Bergafwaarts rijden verhoogt de snelheid en kan ongelukken veroorzaken. De remafstand zal hierbij ook langer zijn! Het is daarom niet toegestaan dit product op heuvels en hellingen te gebruiken, zowel heuvel op als afwaarts.

## 3. Onderhoud

Onderhoud is noodzakelijk om het BERG product te gebruiken en er plezier van te hebben voor een lange tijd. Dit hoofdstuk beschrijft hoe, hoe vaak en welk onderhoud gedaan moet worden.

### 3.1 Onderhoudsschema

Dagelijks	Maandelijks	Halfjaarlijks	Jaarlijks
<p><b>Wielen/banden</b> Controleer op beschadigingen en slijtage. Controleer de bandenspanning en pomp de banden indien nodig op. Doe dit op een koele plaats, uit het directe zonlicht.</p>	<p><b>Frame</b> Controleer en maak alle bouten en moeren schoon. Controleer het frame op scheuren en beschadigingen.</p> <p><b>Aandrijving</b> Kettingspanning controleren Ketting invetten.</p> <p><b>Stuurinrichting</b> Controleer alle bouten en moeren. Vet de bewegende delen in. Ketting schoonmaken en invetten.</p>	<p><b>Aandrijving</b> Controleer op correct functioneren van de lagers, ketting, naaf, tandwielen en assen.</p>	<p><b>Kunststof delen</b> Maak de plastic delen schoon en controleer op schade.</p>

### 3.2 Onderhoudswerkzaamheden

Dit hoofdstuk beschrijft hoe, hoe vaak en wat voor soort onderhoud je aan het product moet uitvoeren.

#### 3.2.1 Frame

- Het frame is gepoedercoat of zwart verzinkt. Om roestvorming te voorkomen is het belangrijk regelmatig het frame schoon te maken. Indien u het frame wilt conserveren met vet, gebruik danuitsluitend zuurvrije vaseline. Kleine beschadigingen kunt u met lak bijwerken.
- Controleer de bouten en moeren op roest en vervang deze onderdelen tijdig om te voorkomen dat deze tijdens gebruik breken waardoor ongewenst letsel kan ontstaan.

#### 3.2.2 Wielen/Banden

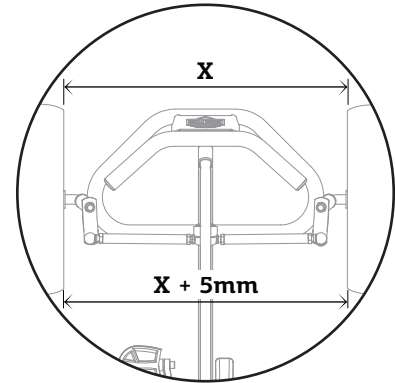
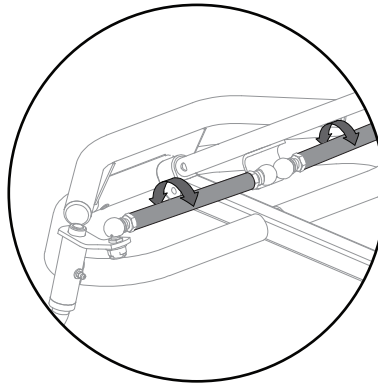
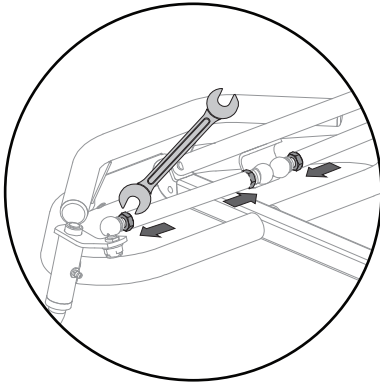
- Controleer regelmatig de velgen en banden op beschadigingen (zoals butsen en slijtage). Pas op: beschadigingen aan velgen en banden kunnen leiden tot ongelukken! Banden ogen niet in aanraking komen met olie, vet en brandstof.
- De correcte bandenspanning is te vinden op de buitenkant van de band. Indien de banden de juiste spanning hebben, dan zal het product wendbaarder en sneller zijn. Wanneer de spanning laag is, zullen de banden sneller lucht lekken en zullen ze sneller slijten. Echter, indien de bandenspanning te hoog is kan de band los komen van de velg, wat kan resulteren in gevaarlijke situaties. Let op: in felle zo en met hoge temperaturen wordt de bandenspanning verhoogd. De banden mogen niet in contact komen met olie, vet of brandstof. Verzeker dat de ventieldopjes altijd strak op de ventielen zitten.



### 3.2.3 Stuurinrichting

De stuurinrichting moet elke maand op deze punten gecontroleerd worden:

- Breuk, slijtage, roest en beschadiging
- Alle schroeven en bouten moeten vast zitten.



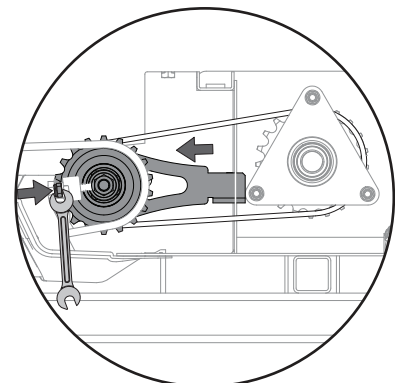
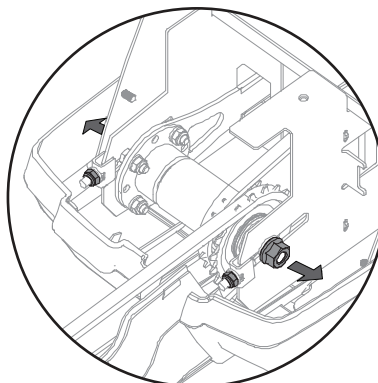
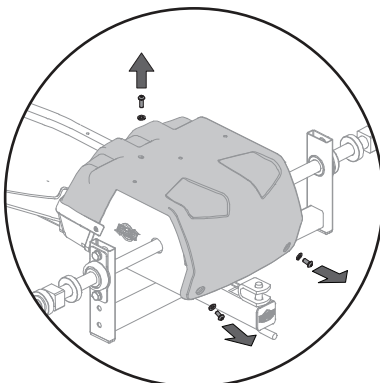
### 3.2.4 Aandrijfmechanisme

#### Ketting

Het product is uitgerust met 2 kettingen, die het nodige onderhoud nodig hebben. Verzeker dat de kettingen zijn ingevet zodat ze soepel lopen. Als een ketting te strak gespannen is, zal de skelter zwaar trappen. Dit vergroot de kans versnelde slijtage van o.a. ketting en tandwielen. Is een ketting niet strak genoeg gespannen, dan loopt de ketting gemakkelijk van de tandwielen af en is er kans op beschadiging aan de kettingkast. Wanneer beide kettingen gespannen moeten worden begin dan altijd eerst met de achterste/korte ketting.

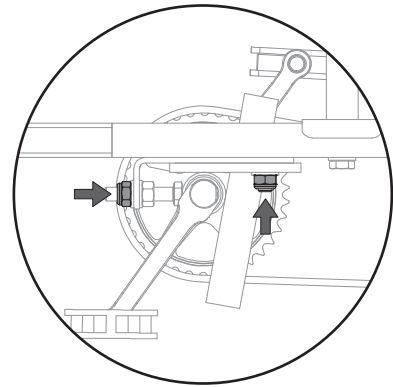
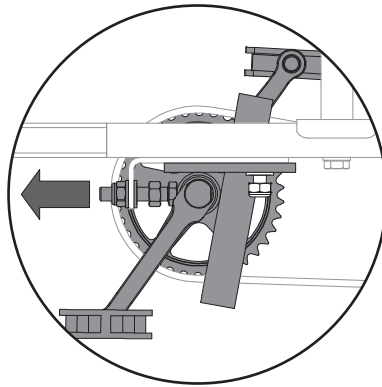
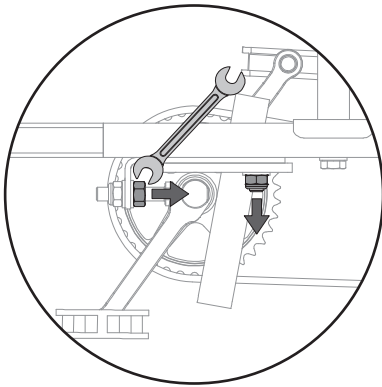
Het spannen van de achterste ketting:

- Verwijder de beschermkap.
- Draai de moeren van de naaf los.
- Span de ketting door de naaf naar voren te trekken.
- Zorg ervoor dat de naaf exact parallel blijft liggen met de achteras.
- Draai de moeren weer vast.
- De ketting heeft de juiste spanning als deze in het midden nog 6mm naar beneden geduwd kan worden.
- Draai de vier bouten weer vast. Let hierbij op dat het tandwiel parallel blijft aan de kettingkast.
- Monteer de kunststof kettingkast weer onder het frame als de ketting op de juiste spanning is.
- Om de uiteindelijke kettingspanning te kunnen controleren of om de ketting te kunnen smeren, moet de kettingkast verwijderd worden.



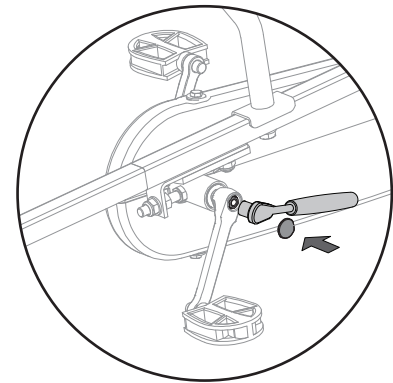
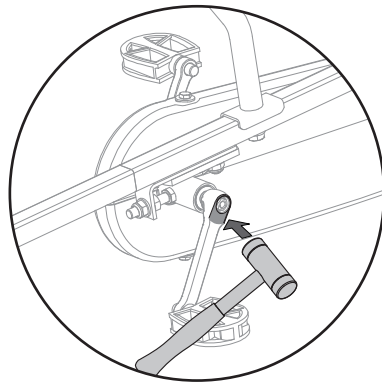
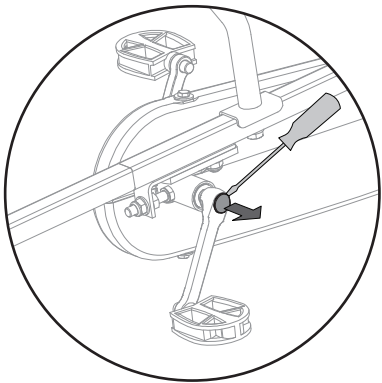
## Het spannen van de voorste ketting:

- Draai de bouten van de trapas aan de onderzijde van het frame los.
- Breng de ketting op spanning door de trapas naar voor of naar achter te bewegen. Draai de bouten weer aan.
- De ketting moet in het midden 10 mm naar beneden gedrukt kunnen worden. Om dit te kunnen controleren moet de onderste helft van de kettingkast verwijderd worden.



## Crankstel bijstellen

Na een gebruikperiode van enkele dagen (bij intensief gebruik) tot twee weken (bij normaal gebruik) na aankoop, dienen de bevestigingsbouten waarmee de linker- en rechter cranks bevestigd zijn, nog eens te worden vastgedraaid (zie onderstaande afbeelding). Let u er op dat dit 'handvast' gebeurt, dat wil zeggen met een aandraaimoment van maximaal 30Nm. (Het is een normaal effect dat na een korte periode van gebruik, door het uitoefenen van kracht op de pedalen, de cranks zichzelf gaan zetten). Een gevolg van wanneer dit niet regelmatig gedaan wordt, is dat er speling kan ontstaan, die vervolgens kan leiden tot beschadiging van de crank en de trapas. Deze speling kan worden weggenomen door de bouten verder aan te draaien.



## Remvrijloop

De remvrijloop werkt als een terugtraprem en heeft een vrijlooppunt. U kunt met de remvrijloop ook achteruit rijden. De BERG skelter met een remvrijloop zal, minimaal elk half jaar gecontroleerd moeten worden op kettingspanning.

### 3.2.5 Kunststof onderdelen

De kunststof en/of houten onderdelen dienen regelmatig te worden gecontroleerd op schade en breuken. In geval van breuk wordt u geacht het onderdeel te vervangen door een nieuw origineel onderdeel om de veiligheid van de gebruiker te garanderen.

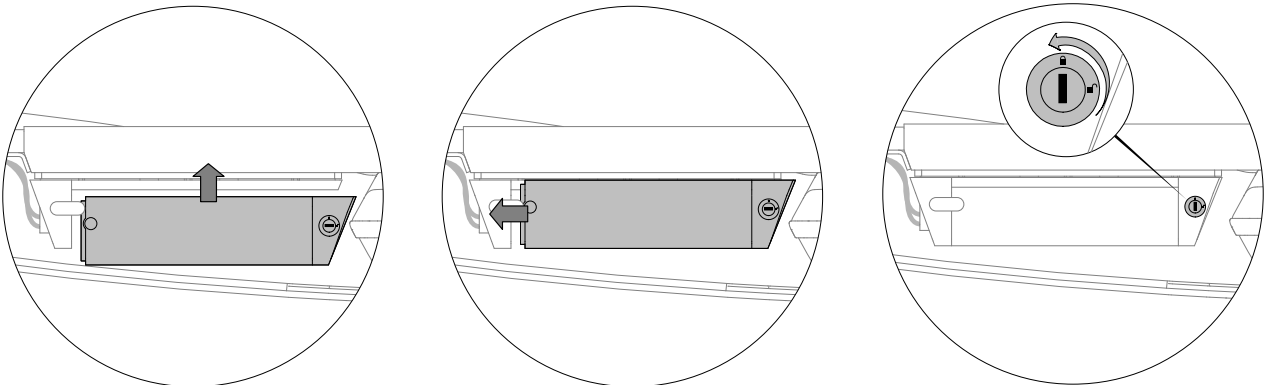
## 4. Elektronische onderdelen

### 4.1 Accu

#### 4.1.1 De accu installeren

- Plaats de sleutel in het slot.
- Ontgrendel het slot met de sleutel.
- Duw de accu voorzichtig via de geleiderail in het accuvak, totdat de achterkant verbinding maakt met de voorkant, zonder ruimte ertussen.
- Vergrendel het slot met de sleutel.
- Haal de sleutel uit het slot en berg deze buiten bereik van kinderen op.
- Zorg dat het afdekplaatje van het aansluitpunt voor de oplaadstekker is gesloten.
- Trek de accu naar achteren om te controleren of deze vergrendeld is.
- Berg uw sleutels veilig op.
- Controleer als de accu niet werkt het contactoppervlak tussen de accu en het accuvak. Dit moet vrij zijn van vuil en vocht, zodat de e-skelter goed functioneert. Reinig het oppervlak indien nodig met een schone doek. Veel vocht en vuil kan leiden tot contactproblemen en/of storingen. Neem contact op met uw dealer als de accu nog steeds niet werkt nadat u het contactoppervlak hebt schoongemaakt.

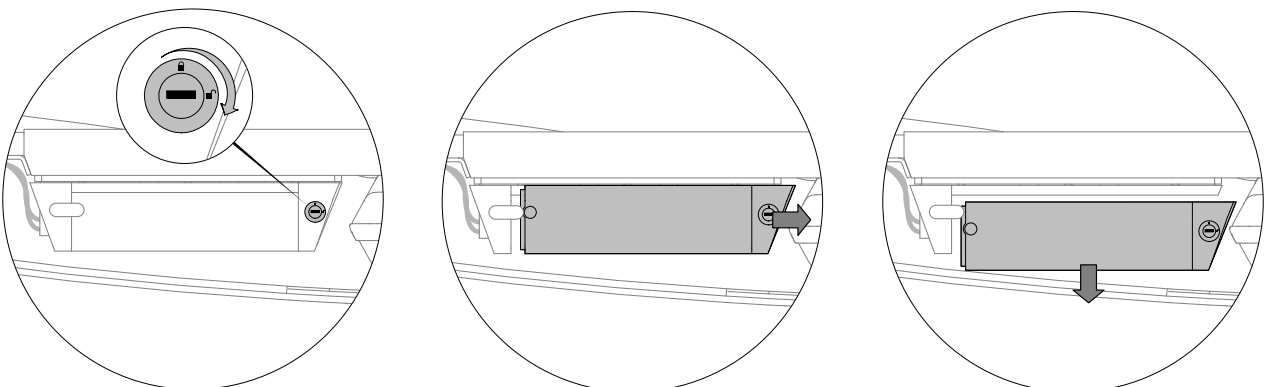
Een correct geïnstalleerde accu kan niet zonder sleutel worden verwijderd.



#### 4.1.2 De accu verwijderen

- Zorg dat het afdekplaatje van het aansluitpunt voor de oplaadstekker is gesloten.
- Plaats de sleutel in het slot.
- Ontgrendel het slot.
- Verwijder de accu door deze eerst naar de achterste kettingkast en vervolgens naar beneden te bewegen.

Verwijder de accu altijd met twee handen, om te voorkomen dat deze valt.



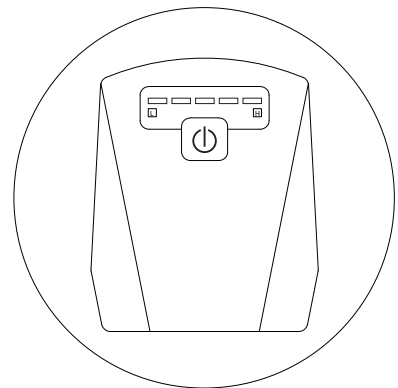
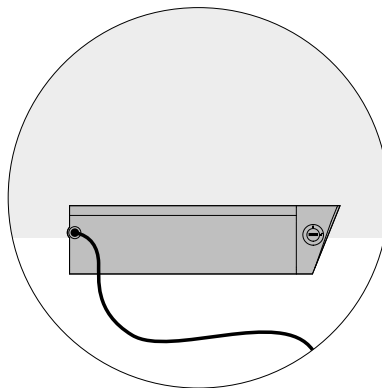
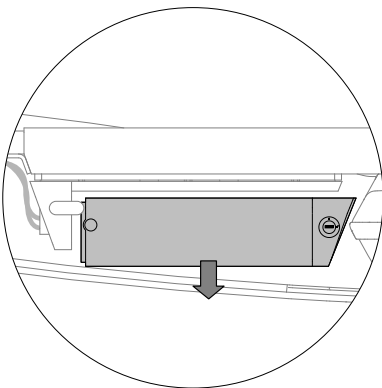
## 4.2 Lader

De gemiddelde laadtijd is zes uur (bij een lege batterij).

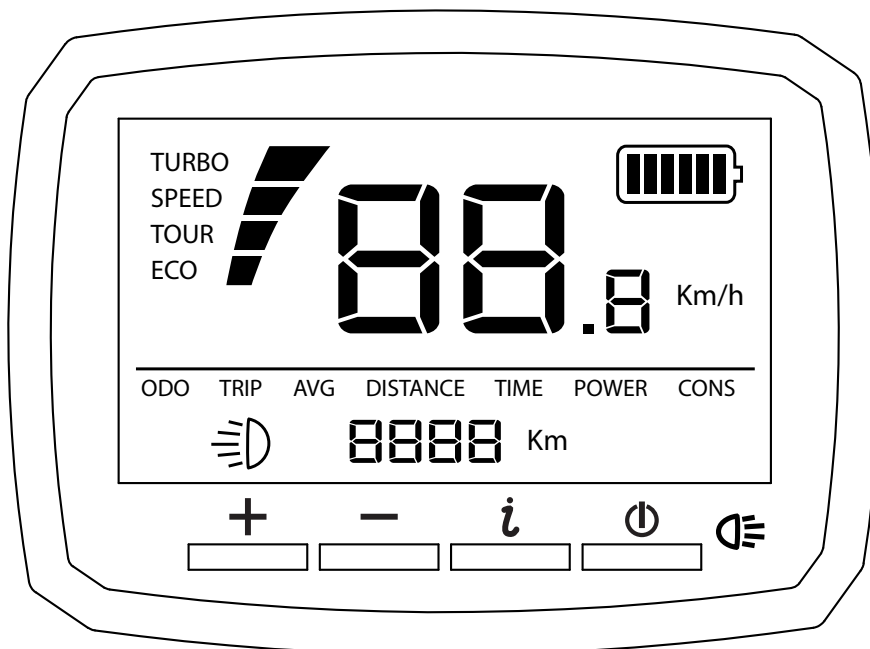
### De accu opladen

- De lader mag alleen worden gebruikt door een volwassene.
- Controleer of het netsnoer is aangesloten op de lader.
- Sluit de lader aan op netspanning. Het groene lampje gaat branden.
- Steek de stekker in het aansluitpunt voor de lader op de accu.
- Wanneer u op de knop 'Off' drukt, geven de ledlampjes op de accu aan voor hoeveel procent de accu is opgeladen. Elk ledlampje staat voor 25%.
- De accu is volledig opgeladen als het groene lampje op de lader brandt.

De accu kan alleen los van de skelter worden opgeladen.



## 4.3 Display



### 4.3.1 Specificaties

Type:	VLCD-5
Werkspanning:	DC11V-60V
Max. werkstroom:	70mA(11V) 32mA(50V)
Helderheid achtergrondverlichting:	200cd/m <sup>2</sup>

### 4.3.2 Functiebeschrijving

- Snelheidsweergave  
Laat de huidige snelheid zien
- Verbruiksindicator  
SZes horizontale blokjes laten het energieniveau van de accu zien (elk blokje staat voor 16 procent elektrische energie). De blokjes knipperen om u eraan te herinneren dat de accu moet worden opgeladen.
- Ritafstand (wordt gereset als de e-skelter wordt uitgezet)  
Laat de ritafstand zien.
- Afstandsmeter (ODO)  
Laat de totale afstand zien.
- Gemiddelde snelheid (AVG)  
Laat de gemiddelde snelheid zien.
- Trapondersteuning  
Laat de trapondersteuning zien. Voor de trapondersteuning kan worden gekozen uit vier standen.
- Achtergrondverlichting display  
Schakel tussen twee helderheidsniveaus. De achtergrondverlichting is standaard uitgeschakeld.

### 4.3.3 Bediening

#### Definitie van de knoppen

- + Meer/hoger
- Minder/lager
- i Menu
- ⏻ Achtergrondverlichting aan/uit

⏻ Druk op deze knop voor trapondersteuning, druk deze knop 2 seconden in om de trapondersteuning uit te schakelen.

Als er vijf minuten geen activiteit is geweest, schakelt het systeem automatisch uit.

+ / – Voor de trapondersteuning kan worden gekozen uit vier standen (Eco, Tour, Speed en Turbo). Pas de trapondersteuning met deze knoppen aan van laag naar hoog.

i Er zijn vier pagina's met verschillende modi (afstandsmeter, ritafstand, gemiddelde snelheid en tijd voor een enkele rit). Blader met deze knop naar de verschillende pagina's.

#### Basisfuncties

- Gebruik de knop ⏻ om de achtergrondverlichting in te schakelen als de trapondersteuning actief is.
- Druk in het menu bij ritafstand (TRIP) 2 seconden op de knop i om de teller en tijd te resetten.
- In het menu bij gemiddelde snelheid geeft (AVG) de gemiddelde snelheid aan (gemiddelde snelheid = ritafstand / bewegingstijd).
- In het menu bij bewegingstijd geeft (TIME) aan hoe lang één rit duurde.

#### Foutcodes

Fout	Type fout	Oplossing
ERR-01	Sensorstoring	Neem contact op met uw lokale dealer
ERR-02	Fout in motor-hall of kortsluiting in de motor	Herstart met de knop ⏻
ERR-03	Controllerstoring	Neem contact op met uw lokale dealer
ERR-05	Energieniveau laag	Laad de batterij op
ERR-06	Bestuurder heeft voet op pedaal bij starten	Haal uw voet van het pedaal en start opnieuw

#### 4.4 Indicatie actieradius

De actieradius hangt af van verschillende factoren en wordt beïnvloed door het volgende:

- Capaciteit (Ah) en spanning (V) van de accu.
- Stand trapondersteuning
- Modus trapondersteuning of rijprogramma.
- Omgevingstemperatuur
- Windkracht
- Bandenspanning
- Snelheid
- Gewicht van bestuurder en lading
- Rijgedrag
- Wegconditie
- Gebruik van versnellingen
- De actieradius zal merkbaar afnemen naarmate de accu ouder wordt.

#### 4.5 Zorg voor de accu en afvoeren van de accu

##### Zorg

- Zorg in het geval van een lekkende accu dat u niet in contact komt met het lekkende zuur en plaats de beschadigde accu in een afgesloten plastic zak.
- Mocht het accuzuur in contact komen met de huid of de ogen, spoel dan minstens 15 minuten met koud water en raadpleeg onmiddellijk een arts.
- Laad een nieuwe accu minstens 12 uur op voor het eerste gebruik.
- Overladen of onderladen van de accu kan de levensduur van de accu verkorten, evenals de tijd dat de skelter kan worden gebruikt.
- Laad de accu na ieder gebruik op, ongeacht hoe lang de skelter is gebruikt.
- Zorg dat de accu niet volledig is leeggelopen voordat u deze weer oplaadt.
- Vervang de accu voordat u de skelter stalt.
- Laad de accu minstens iedere 3 maanden 3 uur op wanneer u deze niet gebruikt.
- Wanneer de accu niet wordt opgeladen, gaat deze kapot.
- Koppel de kabels van de motor los van de accu als u de skelter langer dan twee maanden niet gaat gebruiken.
- Voorkom dat de accu vrij kan bewegen in het accuvak.
- Controleer telkens wanneer u de accu oplaadt of de accu, de lader en de stekker niet aan buitensporige slijtage onderhevig zijn of zijn beschadigd. Wanneer de accu of de lader is beschadigd, mag deze niet worden gebruikt. Zorg eerst dat het versleten of beschadigde onderdeel wordt vervangen.
- Verwijder de accu uit de skelter als deze helemaal is ontladen.
- Een lekkende accu en corrosie kunnen schade toebrengen aan de skelter.
- Maak de accu niet schoon met een hogedrukspuit.
- Haal de accu uit de skelter wanneer u de skelter niet gebruikt.

##### De accu en de lader afvoeren



- Recycle de accu en de lader op een milieuvriendelijke manier.
- Gooi de accu niet in het vuur. De accu kan dan vlam vatten of ontploffen.
- Voer de accu niet af met het gewone huishoudelijke afval. Het is verboden accu's te verbranden, te storten of af te voeren met huishoudelijk afval.
- Lever een accu die aan het einde van zijn levensduur is in bij een erkende dealer. Neem contact op met de dienst Afvalverwerking van uw gemeente voor meer informatie over hoe u accu's kunt afvoeren of recycleren op een manier die veilig is voor het milieu.

## 5. Garantie

### 5.1 Garantie periode

De eigenaar van dit BERG product heeft de volgende garantie op dit product:

- Gedurende twee jaar na datum op de aankoopnota op het frame.
- Gedurende één jaar na datum op de aankoopnota op overige onderdelen
- Op onderdelen die aan slijtage onderhevig zijn (zoals ketting en banden) wordt in het geheel geen garantie gegeven.
- Voor uitgebreide garantiebepalingen, zie [www.bergtoys.com](http://www.bergtoys.com).

### 5.2 Garantie Verordening

De eigenaar van het product kan slechts aanspraak maken op de garantie door de originele aankoopnota aan te bieden. De garantie geldt alleen voor materiaal- en constructiefouten met betrekking tot dit product en de onderdelen. De garantie vervalt wanneer:

- Dit product onjuist en/of onzorgvuldig gebruikt is.
- Het gebruik niet in overeenstemming met de bestemming is.
- Dit product niet conform het instructieboekje geassembleerd en onderhouden is.
- Technische reparaties aan dit product niet op vakkundige wijze verricht zijn.
- Naderhand gemonteerde onderdelen gebruikt zijn die niet overeen komen met de technische specificaties van het betreffende product, of onjuist gemonteerd zijn.
- Naderhand toegevoegde onderdelen of vervangen onderdelen geen officiële BERG onderdelen of accessoires zijn.
- Gebreken ontstaan als gevolg van klimatologische invloeden, zoals roest of normale verwerking van de lak.
- Het product wordt gebruikt voor verhuur of op ander wijze aan meerdere ongespecificeerde personen ter beschikking staat.
- De accu, display of de lader is geopend.

Onder geen enkele omstandigheden kan BERG verantwoordelijk worden gehouden voor de schade van producten (of onderdelen) als gevolg van:

- Foutieve afstelling/spanning van stuur, stuurmechanisme, ketting, banden en versnellingsnaaf.
- Niet tijdig vervangen van onderdelen zoals ketting en banden.

Gedurende de garantieperiode zullen alle door BERG vastgestelde materiaal- of constructiefouten ter keuze van BERG worden gerepareerd, dan wel worden vervangen.

De eigenaar kan van dit product slechts aanspraak maken op de garantie door terug te keren naar het bedrijf waar het product gekocht is. Hierbij is het cruciaal dat naast de klacht, ook de originele verkoopbon en het serienummer aangeleverd wordt. Het serienummer is te vinden op het frame van je skelter.

Indien de garantieaanvraag afgewezen wordt, zijn alle gemaakte kosten voor rekening van de eigenaar van het product.

Deze garantie is niet overdraagbaar aan derden.

## Einführung

Herzlichen Glückwunsch zum Erwerb Ihres neuen BERG-Produkts!

BERG entwirft und produziert robuste und sichere Produkte. Ihre Wahl für ein BERG Produkt bedeutet, dass sie sich für ein Produkt entschieden haben, das ihnen jahrelang Freude bereiten wird. Durch die konsequente Weiterentwicklung unserer Produkte behalten wir uns allerdings das Recht vor, Produktspezifikationen ohne vorherige Ankündigung zu ändern.

Lesen Sie diese Gebrauchsanweisung sorgfältig durch, damit Sie über alle notwendigen Sicherheits- und Wartungshinweise informiert sind.

Ein BERG Produkt hat eine lange Lebensdauer, benötigt aber von Zeit zu Zeit kleine Wartungsarbeiten. Sie finden die Anleitung für die Wartungsarbeiten in der Bedienungsanleitung. Wenn sie dies berücksichtigen, haben sie ein strapazierfähiges Spielzeug, das viele Jahre halten wird.

Besuchen sie unsere Webseite [www.bergtoys.com](http://www.bergtoys.com), um mehr über BERG, unsere Produkte und unser Zubehör zu erfahren. Auch freuen wir uns über eine Mail mit ihren Optimierungsvorschlägen oder anderen Erfahrungen. Sie können diese Mail an [info@bergtoys.com](mailto:info@bergtoys.com) senden.

## Inhaltsverzeichnis

1. Warnungen
  - 1.1 Allgemeine Warnungen
  - 1.2 Warnungen in Bezug auf die Batterie
  - 1.3 Warnungen in Bezug auf das Ladegerät
2. Benutzerhinweise
  - 2.1 Sicherheit
  - 2.2 Benutzeranweisungen
    - 2.2.1 Vor der Benutzung
    - 2.2.2 Bei der Benutzung
  - 2.3 Benutzungseinschränkungen
3. Wartung
  - 3.1 Wartungsplan
  - 3.2 Wartungsaktivitäten
    - 3.2.1 Rahmen
    - 3.2.2 Räder/Reifen
    - 3.2.3 Lenkung
    - 3.2.4 Antriebsmechanismus
    - 3.2.5 Kunststoffteile
4. Elektronische Komponenten
  - 4.1 Batteriesatz
    - 4.1.1 Einbau des Batteriesatzes
    - 4.1.2 Ausbau des Batteriesatzes
  - 4.2 Ladegerät
  - 4.3 Display
    - 4.3.1 Spezifikationen
    - 4.3.2 Funktionsbeschreibung
    - 4.3.3 Betriebsverfahren
  - 4.4 Bereichsanzeige
  - 4.5 Pflege und Entsorgung der Batterie
5. Garantie
  - 5.1 Garantiezeitraum
  - 5.2 Garantieregelung



## 1. Warnungen

### 1.1 Allgemeine Warnungen

- **WARNUNG.** Aufgrund seiner Höchstgeschwindigkeit ist dieses Spielgerät nicht für Kinder unter 6 Jahren geeignet.
- **WARNUNG.** Aufgrund des Risikos von Kollisionen mit anderen Fahrzeugen, Hindernissen, Tieren und Personen nicht in öffentlichen Bereichen verwenden.
- Sichere Verwendungsbereiche sind Hinterhöfe oder geschlossene Bereiche mit guter Einsehbarkeit für die erwachsene Aufsichtsperson.
- Aufgrund seiner Höchstgeschwindigkeit ist dieses Spielgerät nicht für Kinder unter 6 Jahren geeignet. Aufsicht durch eine erwachsene Person erforderlich. Niemals auf Fahrbahnen, in der Nähe von Kraftfahrzeugen, auf oder in der Nähe von steilen Gefällen oder Treppen/Stufen, Schwimmb Becken oder Gewässern verwenden und immer Schuhe tragen.
- Kinder sollten vor der ersten Fahrt von Erwachsenen angeleitet werden. Vor allem Beschleunigung, Einsatz der Pedale und Bremsen müssen dem Kind ausführlich erklärt werden.
- Kinder (unter 12 Jahren) dürfen das Produkt ausschließlich unter der Aufsicht eines Erwachsenen benutzen.
- Dieses Produkt darf nicht auf öffentlichen Straßen verwendet werden.
- Beim Fahren mit hoher Geschwindigkeit nicht scharf abbiegen. Das Gokart kann umkippen!
- Achten Sie auf lose herabhängende Kleidungsstücke wie z. B. Schals und Schnürsenkel. Diese können sich in beweglichen Teilen verfangen, was zu Unfällen führen kann.
- Fahren Sie niemals, wenn Sie unter dem Einfluss von Alkohol, von Drogen oder von Medikamenten stehen, die sich negativ auf Ihre Reaktionszeit oder Ihr Auffassungsvermögen auswirken können.

### 1.2 Warnungen in Bezug auf die Batterie

- FDen Batteriesatz vor der ersten Benutzung des E-Pedal-Gokarts vollständig aufladen.
  - Jede Batterie wird im Laufe der Zeit schwächer. Dieser Prozess wird als Selbstentladung bezeichnet. Bei einem Batteriesatz, der leer und nicht aufgeladen ist, kann es aufgrund der Selbstentladung innerhalb von zwei Monaten zu einer Tiefentladung kommen, die zum Defekt führt. Im Falle einer Tiefentladung ist die Garantie ungültig.
  - Der Batteriesatz muss vor dem Aufladen nicht vollständig leer sein. Er behält seinen guten Zustand, wenn er nach jeder Benutzung aufgeladen wird (unabhängig von der Fahrstrecke). Sobald die Batterie vollständig aufgeladen ist, wird das Aufladen automatisch beendet. Die Lampe auf dem Ladegerät leuchtet weiterhin grün.
  - Bei langfristiger Lagerung kann das Ladegerät angeschlossen bleiben. Sollte dies nicht möglich nicht, den Batteriesatz vollständig aufladen und das Ladegerät vom Batteriesatz trennen. Den Batteriesatz mindestens alle zwei Monate vollständig aufladen.
  - Sorgen Sie dafür, dass der Batteriesatz innerhalb der nachfolgend genannten Temperaturgrenzen bleibt. Das verlängert die Lebensdauer und erhöht die Leistung des Batteriesatzes. Außerdem kann außerhalb der genannten Temperaturgrenzen nicht aufgeladen werden und die Kraftunterstützung funktioniert nicht.
- | Stand                                      | Minimum (°C) | Maximum (°C) |
|--|--------------|--------------|
| Während des Aufladens                      | 0            | 45           |
| Während der Benutzung                      | -10          | 45           |
| Lagerung (mindestens 60 % des Ladeniveaus) | -10          | 35           |
- Den Batteriesatz immer mit dem im Lieferumfang des E-Pedal-Gokarts enthaltenen Ladegerät aufladen. Keine anderen Ladegeräte verwenden.
  - Der Batteriesatz darf während des Aufladens nicht dem direkten Sonnenlicht ausgesetzt sein.
  - Lassen Sie den Batteriesatz nicht fallen, da er sonst beschädigt werden kann.
  - Denken Sie daran, dass Ihr E-Pedal-Gokart bei niedrigeren Temperaturen (unter 10 °C) für weniger Unterstützung sorgt und der Batteriesatz schneller leer ist.
  - Große Temperaturveränderungen können erhebliche Unterschiede bei der Batterieladeanzeige verursachen, insbesondere bei niedrigen Temperaturen und einer geringen Ladekapazität.
  - Die Batterie darf nicht geöffnet werden, da die Gefahr eines elektrischen Schocks besteht.

- Die Batterie von Salz und säurehaltigen Flüssigkeiten fernhalten.
- Bei äußerlichen Schäden darf die Batterie nicht verwendet werden.
- Die Batterie nicht kurzschließen.
- Die Batterie von Hitze und Feuer fernhalten.

### 1.3 Warnungen in Bezug auf das Ladegerät

- Das Ladegerät nicht für andere Produkte verwenden. Es ist ausschließlich für mit einer Lithium-Ionen-Batterie betriebene Fahrzeuge gedacht.
- Das Ladegerät nicht an die Netzspannung anschließen, wenn es nicht benutzt wird.
- Vor der Abfahrt das Ladegerät von der Batterie trennen.
- Dafür sorgen, dass das Ladegerät nicht nass wird.
- Das Ladegerät nicht beschädigen.
- Das Ladegerät nicht benutzen, wenn es beeinträchtigt oder gefallen ist oder in irgendeiner Weise beschädigt wurde. Ladegerät und Batterie vor jeder Verwendung untersuchen und bei Verschleiß oder Beschädigung austauschen.
- Das Ladegerät ist für Standard-Haushaltsstrom ausgelegt (200-240V oder 110V mit Einsatz eines Umrichters). Das Ladegerät sollte keinesfalls an ein anderes Spannungsniveau angeschlossen werden!
- Auf keinen Fall das elektrische System anpassen und/oder umgehen, da dadurch die Gefahr eines (tödlichen) Stromschlags oder eines Brands besteht.
- Um das Risiko einer Beschädigung am Ladegerät zu verringern, sollte beim Trennen von der Steckdose an dem Stecker und nicht an der Schnur gezogen werden.
- Darauf achten, dass die Schnur so liegt, dass niemand darauf treten, darüber fallen und sie nicht auf andere Weise beschädigt oder beeinträchtigt werden kann.
- Eine Verlängerungsschnur sollte nur verwendet werden, wenn es absolut notwendig ist. Bei Benutzung einer nicht ordnungsgemäßen Verlängerungsschnur besteht die Gefahr eines Brands oder (tödlichen) Stromschlags.
- Um einen Stromschlag zu verhindern, dürfen weder Ladegerät noch Batterie bei der Reinigung in Wasser eingetaucht werden. Bei Reinigung den Stecker des Ladegeräts/der Batterie aus der Steckdose ziehen und mit einem trockenen Tuch abreiben.
- Kein Objekt auf das Ladegerät stellen und das Ladegerät nicht auf einer weichen Oberfläche abstellen, da sich dadurch zu viel Wärme entwickeln kann. Das Ladegerät nicht in der Nähe von Hitzequellen aufstellen.
- Wenn die Batterie vollständig aufgeladen ist, das Ladegerät von der Wandsteckdose und der Batterie trennen. Batterie und Ladegerät außerhalb der Reichweite von Kindern abstellen.
- Batterie und Ladegerät an einem trockenen Ort außerhalb der Reichweite von Kindern aufbewahren.
- Das Ladegerät nicht demontieren und nicht versuchen, ein beschädigtes Ladegerät zu reparieren. Wenn das Ladegerät beschädigt ist, wenden Sie sich bitte an Ihren Berg-Händler.
- Personen mit verringerten körperlichen, sensorischen oder geistigen Fähigkeiten oder mangelnder Erfahrung und Kenntnissen sollten das Gerät nur dann benutzen, wenn sie von einer Person, die für ihre Sicherheit verantwortlich ist, beaufsichtigt werden oder angeleitet worden sind.

## 2. Benutzerhinweise

BERG oder der Händler können nicht für eine unsachgemäße Benutzung dieses Produkt verantwortlich gemacht werden. Lesen Sie vor der Benutzung die Hinweise durch, um eine sachgemäße und sichere Benutzung dieses Produkts sicherzustellen. BERG kann nicht für Versäumnisse hinsichtlich der Einhaltung dieser Anleitung verantwortlich gemacht werden.

### 2.1 Sicherheit

Bei Fragen oder Unklarheiten k2.1 Sicherheit können Sie sich jederzeit an Ihren lokalen BERG-Händler oder BERG wenden.

### 2.2 Benutzeranweisungen

Benutzen Sie Ihr BERG-Produkt ausschließlich entsprechend der unten stehenden Anweisungen. Eine unzulässige Benutzung kann schwere Verletzungen des Benutzers und/oder Beschädigungen des Produkts nach sich ziehen.

#### 2.2.1 Vor der Benutzung

- Stellen Sie Sitz und Lenkrad entsprechend der Größe des Benutzers auf die korrekte Position ein.
- Stellen Sie sicher, dass Lenkung, Bremsen und Reifen richtig funktionieren und dass die Schrauben und Muttern fest sitzen.
- Schutzabdeckungen, die zu Wartungszwecken entfernt worden sind, müssen vor der Benutzung stets wieder in dem ursprünglichen Zustand montiert werden.
- Prüfen Sie den Reifendruck und stellen Sie sicher, dass dieser der auf dem Reifen angegebenen Norm entspricht. Sehen Sie hierzu auch den Punkt Wartung.
- Ein erwachsener trägt die Verantwortung für die Erteilung von Hinweisen für eine sichere Benutzung.
- Weisen Sie das Kind an, wie man die Bremse benutzt.

#### 2.2.2 Bei der Benutzung

- Fahren Sie mit einer angemessenen Geschwindigkeit, die Sie kontrollieren können.
- Während der Benutzung muss immer die Umgebung im Blick behalten werden.
- Das Bremsen hat immer auf die vorgeschriebene Weise mithilfe der Handbremse/Rücktrittbremse zu erfolgen
- Das Fahrzeug darf nur auf ebenen, hindernisfreien Flächen gefahren werden.
- Schutzkleidung ist nicht vorgeschrieben, wird jedoch empfohlen.
- Stellen Sie sicher, dass ein abgestelltes Fahrzeug nicht unbeabsichtigt wegrollen kann. Verwenden Sie dazu die Handbremse.
- Befestigen Sie keine Gegenstände am oder auf dem Lenkrad. Sorgen Sie dafür, dass das Lenkrad jederzeit uneingeschränkt funktionsfähig ist.
- Die Rücktrittbremse durch Rückwärtstreten betätigen.
- Für zusätzliche Bremskraft kann die Feststellbremse benutzt werden.

### 2.3 Benutzungseinschränkungen

- Dieses Produkt darf nicht auf öffentlichen Straßen verwendet werden.
- Unterlassen Sie das Rückwärtsfahren bei hohen Geschwindigkeiten, da Sie hierdurch die Kontrolle verlieren könnten.
- Kollisionen oder sonstige Stunts erhöhen sowohl das Risiko für Verletzungen der Benutzer als auch Schäden am Produkt und sind untersagt.
- Vermeiden Sie während des Fahrens mit dem Produkt den Kontakt mit beweglichen Teilen.
- Steigen Sie nicht aus dem Produkt aus oder in das Produkt ein, während dieses in Bewegung ist.
- Überladen Sie das Produkt nicht. Das maximale Benutzergewicht beträgt 100kg.
- Fahren Sie niemals im Dunkeln ohne Beleuchtung.
- Fahren Sie bei hoher Geschwindigkeit keine scharfen Kurven, da das Fahrzeug sonst kippen kann
- Dieses Produkt darf nicht auf hügeligem oder abschüssigem Gelände benutzt werden. Fahren Sie weder auf- oder abwärts noch schräg über geneigte Flächen.

## 3. Wartung

Bestimmte Wartungsaktivitäten sind erforderlich, damit das BERG-Produkt für lange Zeit benutzt werden kann und Freude bereitet. In diesem Abschnitt ist beschrieben, wie oft welche Wartungsaktivitäten durchzuführen sind.

### 3.1 Wartungsplan

Täglich	Monatlich	Halbjährlich	Jährlich
<b>Räder / Reifen</b> Auf Verschleiß prüfen. Den Reifendruck prüfen und, wenn nötig, erhöhen. Dies sollte an einem kühlen Ort ohne Einfluss von direktem Sonnenlicht erfolgen.	<b>Rahmen</b> Alle Muttern und Schrauben reinigen und prüfen. Den Rahmen auf Risse und Bruchstellen prüfen.  <b>Antriebsmechanismus</b> Die Kette auf korrekte Spannung prüfen. Kette schmieren.  <b>Lenkung</b> Alle Muttern und Schrauben prüfen. Bewegliche Teile schmieren. Ketten reinigen und ölen.	<b>Antriebsmechanismus</b> Lager, Kette, Nabe, Kettenräder und Achsen auf korrekte Funktion hin prüfen.	<b>Kunststoffteile</b> Kunststoffteile reinigen und auf Schäden prüfen.

### 3.2 Wartungsaktivitäten

In diesem Kapitel wird beschrieben, wie, wie oft und welche Wartung durchgeführt werden muss.

#### 3.2.1 Rahmen

- Der Rahmen ist pulverbeschichtet oder mit schwarzen Platten verzinkt. Um Korrosionsbildung zu vermeiden, ist es wichtig, den Rahmen regelmäßig zu reinigen. Zur Pflege des Rahmens mit Schmierfett ausschließlich säurefreie Substanzen verwenden. Beschädigte Bereiche können mit Lack überstrichen werden.
- Die Schrauben und Muttern auf Korrosion prüfen und austauschen, um zu vermeiden, dass diese brechen, da dies zu Verletzungen und Schäden führen kann.

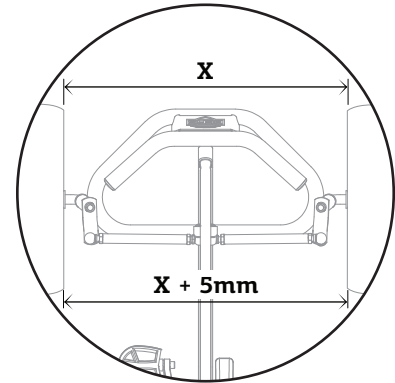
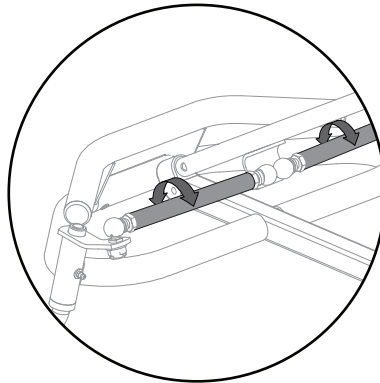
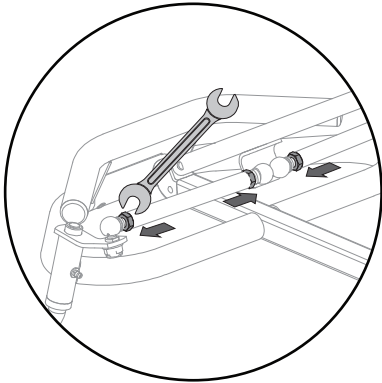
#### 3.2.2 Räder/Reifen

- Die Felgen und Reifen regelmäßig auf Schäden (z. B. Einschnitte, Risse und Beulen) prüfen. Achtung: Beschädigte Felgen und Reifen können zu Unfällen führen! Die Reifen dürfen nicht mit Öl, Schmierfett oder Kraftstoff in Kontakt kommen.
- Der korrekte Reifendruck wird auf dem Reifenäußeren angezeigt. Falls die Reifen den richtigen Druck haben, kann das Produkt leicht und einfach gesteuert werden. Bei zu geringem Druck werden die Reifen schneller undicht und diese sind übermäßigem Verschleiß und übermäßiger Abnutzung ausgesetzt. Bei zu hohem Druck kann sich der Reifen z. B. von der Felge lösen, was zu Gefahrensituationen führen kann. Achtung: Bedenken Sie, dass bei direkter Sonneneinstrahlung und bei hohen Temperaturen der Reifendruck ansteigt! Die Reifen dürfen nicht mit Öl, Schmierfett oder Kraftstoff in Kontakt kommen. Stellen Sie sicher, dass die Ventilkappen stets auf den Ventilen befestigt sind.

### 3.2.3 Lenkung

Die Lenkanlage muss monatlich auf folgende Faktoren hin geprüft werden:

- Schaden, Korrosion, Verschleiß und Abnutzung.
- Alle Muttern und Schrauben müssen festgezogen sein.



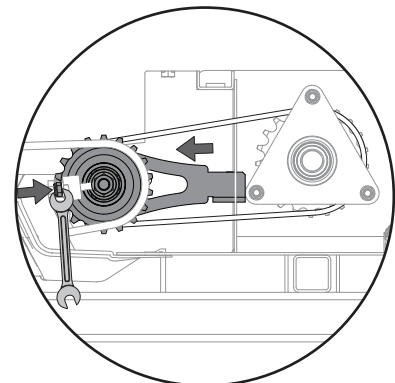
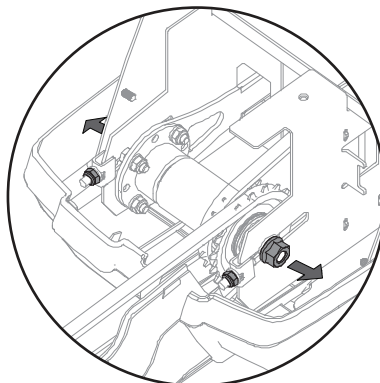
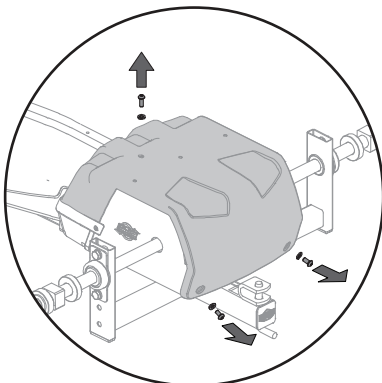
### 3.2.4 Antriebsmechanismus

#### Kette

Das Gokart verfügt über einen Antriebsmechanismus mit zwei Ketten. Stellen Sie sicher, dass die Ketten ausreichend geölt sind, sodass diese sich reibungslos bewegen können. Falls eine Kette zu eng gespannt ist, wird die Betätigung des Pedals erschwert und es besteht ein hohes Risiko dafür, dass unter anderem an Kette und Kettenrad schneller Verschleiß und Abnutzung eintritt. Falls eine Kette nicht eng genug gespannt ist, kann sich die Kette leicht von dem Kettenrad lösen oder das Kettengehäuse kann beschädigt werden. Beginnen Sie stets mit der hinteren/kurzen Kette, wenn beide Ketten gespannt werden müssen.

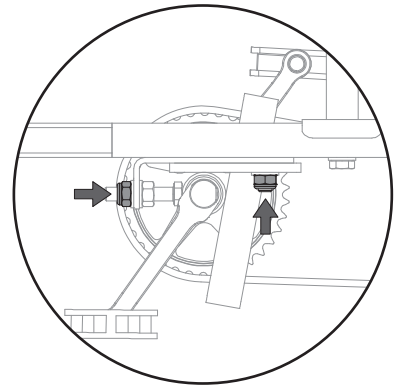
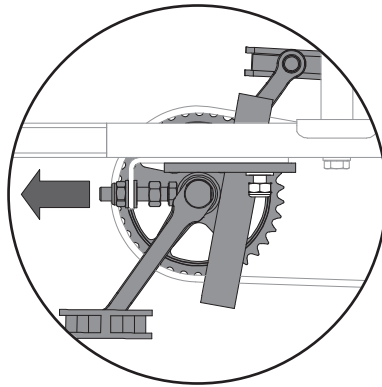
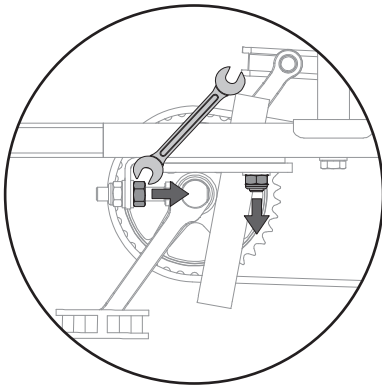
Zur Spannung der hinteren Kette:

- Entfernen Sie die Schutzhaube.
- Lösen Sie die Nabenmutter.
- Spannen Sie die Kette, indem Sie die Nabe nach vorne bewegen.
- Stellen Sie sicher, dass die Nabe genau parallel zu der Hinterachse bleibt.
- Ziehen Sie die Nabenmutter wieder fest.
- Die Kette ist richtig gespannt, wenn sich das Mittelteil sechs Millimeter nach unten ziehen lässt.
- Ziehen Sie die vier Schrauben wieder fest. Stellen Sie sicher, dass die Nabe parallel zum Kettenschutz bleibt.
- Befestigen Sie den Kettenschutz, wenn die Kette die richtige Spannung hat.
- Zum Schmieren der Kette und zum Prüfen der Kettenspannung muss der Kettenschutz entfernt werden.



## Spannung der vorderen Kette:

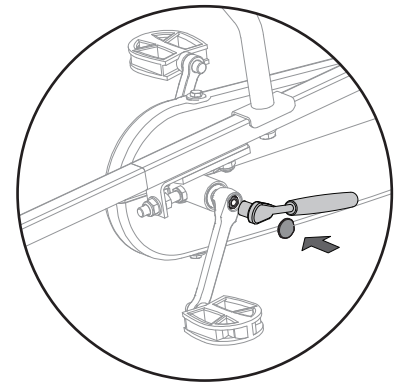
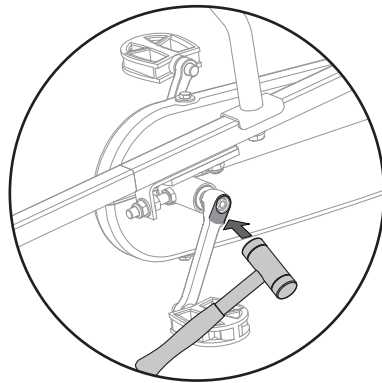
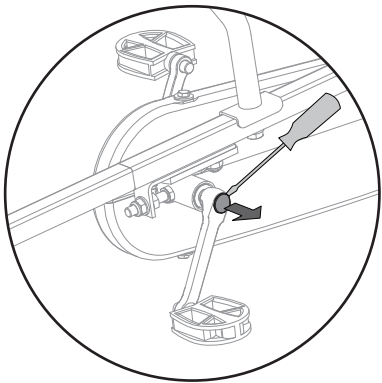
- Lösen Sie die Schrauben der Kurbelachse an der Unterseite des Rahmens.
- Spannen Sie die Kette, indem Sie die Kurbelachse nach vorne bewegen.
- Ziehen Sie die Schrauben wieder fest. Es muss möglich sein, den Mittelteil der Kette um einen Zentimeter nach unten zu ziehen. Um dies zu prüfen, muss die untere Hälfte des Kettengehäuses entfernt werden.



D

## Kurbeleinstellung

Nach Benutzung des neuen Produkts für mehrere Tage (intensive Benutzung) oder für bis zu zwei Wochen (normale Benutzung) im Anschluss an den Kauf, müssen die Befestigungsschrauben zur Befestigung der linken und rechten Kurbeln nachgezogen werden (siehe Abbildung unten). Achten Sie auf eine „handfeste“ Spannung, d. h. einen Anzugdrehmoment von maximal 30 Nm (es ist ein normaler Effekt, dass aufgrund der auf die Pedale ausgeübten Kraft die Handkurbeleinheit nach kurzer Benutzungszeit einrastet). Wenn dies nicht regelmäßig durchgeführt wird, kann ein bestimmtes Ausmaß an Spiel entstehen, was zu Beschädigungen der Kurbel und der Kurbelachse führen kann. Dieses Spiel kann durch Festziehen der Schrauben ausgeglichen werden.



## Bremsfreilauf

Die Bremsfreilauf fungiert als Rücktrittbremse und hat eine Freilauffunction. Mit dem Bremsfreilauf ist auch die Rückwärtsfahrt möglich. Bei BERG-Pedal-Gokarts mit Bremsfreilauf muss mindestens halbjährlich die Kettenspannung geprüft werden.

## 3.2.5 Kunststoffteile

Die Kunststoffteile müssen regelmäßig auf Schäden kontrolliert werden. |

Im Falle eines Bruchs muss das betreffende Teil durch ein neues Originalteil ersetzt werden, um die Sicherheit des Benutzers zu gewährleisten.

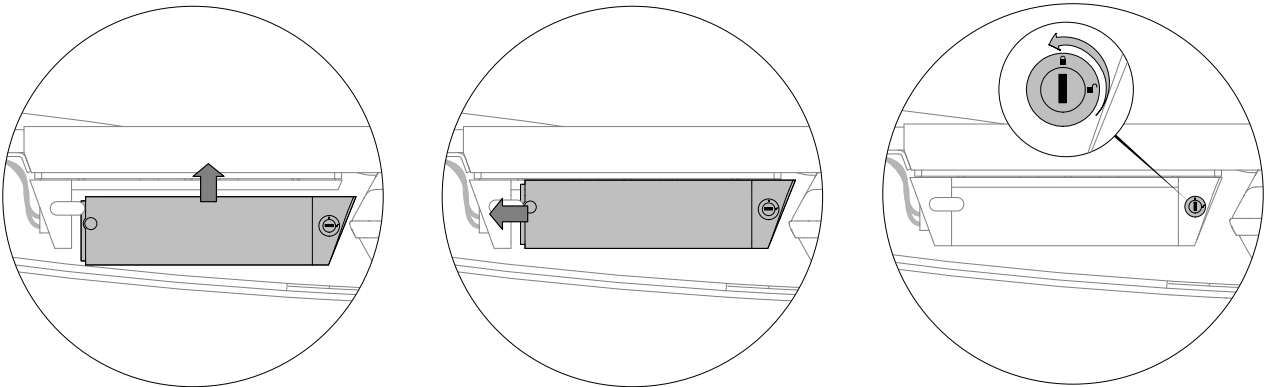
## 4. Elektronische Komponenten

### 4.1 Batteriesatz

#### 4.1.1 Einbau des Batteriesatzes

- Den Schlüssel in das Schloss stecken.
- Dafür sorgen, dass der Schlüssel nicht abschließt.
- Den Batteriesatz vorsichtig an der Führungsschiene entlang schieben, bis die hintere Seite sich mit der Vorderseite ohne jegliche Lücke verbindet.
- Den Schlüssel zum Abschließen drehen.
- Schlüssel abziehen und außerhalb der Reichweite von Kindern aufbewahren.
- Dafür sorgen, dass die Abdeckung des Ladesteckers geschlossen ist.
- Prüfen, dass der Batteriesatz verriegelt ist, durch ihn kurz nach hinten zu ziehen.
- Dafür sorgen, dass Ihre Schlüssel an einem sicheren Ort aufbewahrt werden.
- Wenn die Batterie nicht funktioniert, die Kontaktfläche zwischen Batteriesatz und Docking Station kontrollieren. Sie sollte weder schmutzig noch feucht sein, damit gewährleistet ist, dass der E-Gokart einwandfrei funktioniert. Wenn erforderlich, mit einem sauberen Tuch reinigen. Viel Feuchtigkeit und Schmutz können zu Kontaktproblemen und/oder -fehlern führen. Wenn die Batterie nach dem Reinigen immer noch nicht funktioniert, wenden Sie sich bitte an Ihren Händler.

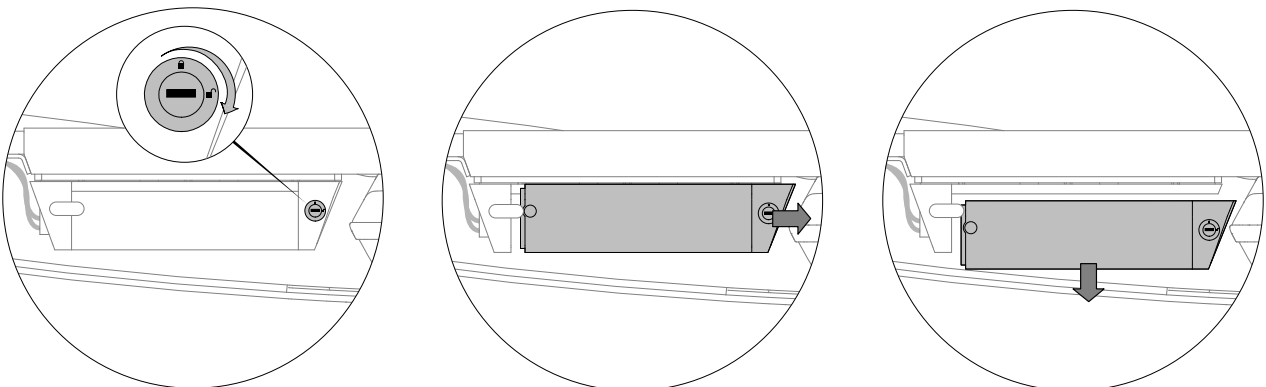
Ein korrekt eingebauter Batteriesatz kann ohne Schlüssel nicht mehr entfernt werden.



#### 4.1.2 Ausbau des Batteriesatzes

- Dafür sorgen, dass die Abdeckung des Ladesteckers geschlossen ist.
- Den Schlüssel in das Schloss stecken.
- Den Schlüssel in die geöffnete Position drehen.
- Der Batteriesatz wird entfernt, indem er zuerst in Richtung des hinteren Kettenschutzes und dann nach unten bewegt wird.

Den Batteriesatz immer mit beiden Händen entnehmen, um ein Fallen zu verhindern.



## 4.2 Ladegerät

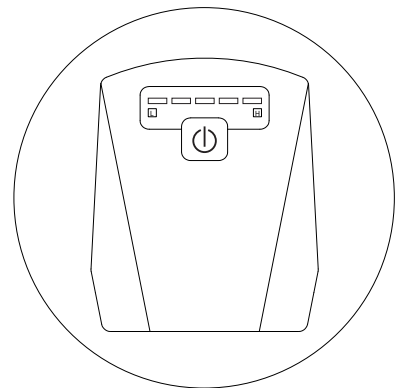
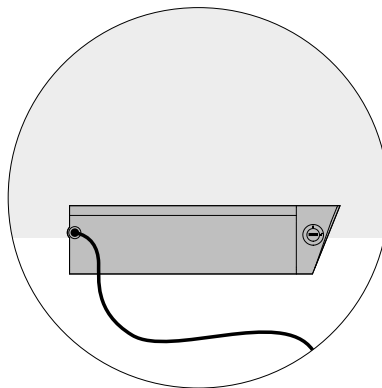
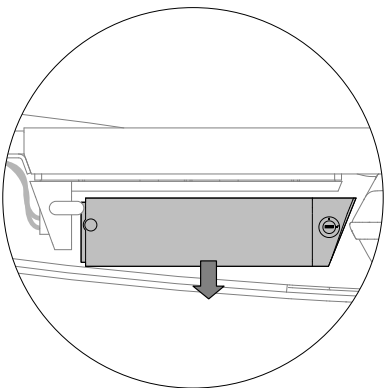
Die durchschnittliche Aufladezeit beträgt sechs Stunden (bei einer leeren Batterie).

### Aufladen des Batteriesatzes

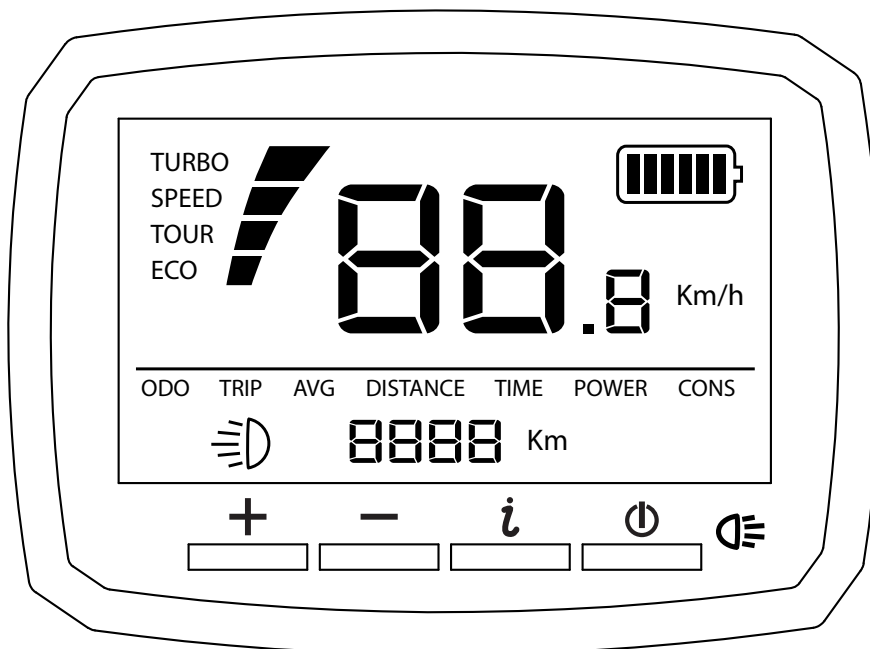
Das Batterieladegerät darf nur von Erwachsenen verwendet werden.

- Prüfen Sie, ob das Stromkabel mit dem Ladegerät verbunden ist.
- Das Ladegerät an die Netzspannung anschließen. Die grüne Anzeigelampe leuchtet auf.
- Den Stecker an die Ladestation anschließen.
- Wenn die Aus-Taste gedrückt wird, zeigen die LED-Leuchten auf dem Batteriesatz den Batteriezustand an. Jede grüne LED-Leuchte entspricht 25 %.
- Wenn das Ladegerät grünes Licht zeigt, ist der Batteriesatz vollständig geladen.

Die Batterie kann nur unabhängig von dem Pedal-Gokart aufgeladen werden.



## 4.3 Display



### 4.3.1 Spezifikationen

Typ:	VLCD-5
Betriebsspannung:	DC11V-60V
Max. Betriebsstrom:	70mA(11V) 32mA(50V)
Helligkeit der Hintergrundbeleuchtung:	200cd/m <sup>2</sup>



## 4.3.2 Funktionsbeschreibung

- Geschwindigkeitsanzeige  
Zeigt aktuelle Geschwindigkeit an
- Verbrauchsanzeige  
Sechs waagerechte Blöcke zeigen den Energiestand der Batterie an (jeder Block entspricht 16 % der elektrischen Energie); das Blinken soll daran erinnern, die Batterie aufzuladen.
- Fahrstrecke (Rücksetzung erfolgt, wenn ausgeschaltet)  
Zeigt die Fahrstrecke an.
- Kilometerzähler (ODO)  
Zeigt die gesamte Entfernung an.
- Durchschnittsgeschwindigkeit (AVG)  
Zeigt Durchschnittsgeschwindigkeit an.
- Kraftunterstützung  
Zeigt Kraftunterstützung an. Vierstufige, einstellbare Kraftunterstützung.
- Hintergrundbeleuchtung des Displays  
Zwei Helligkeitsstufen einstellbar; standardmäßig ist die Hintergrundbeleuchtung aus.

## 4.3.3 Betriebsverfahren

### Tastendefinition

- + Mehr/höher
- − Weniger/niedriger
- ⌚ Menü
- ⏻ An/aus und Hintergrundbeleuchtung

⏻ Diese Taste zum Einschalten drücken; zum Ausschalten diese Taste zwei Sekunden lang drücken. Das System schaltet sich nach fünf Minuten ohne Aktivität automatisch ab.

+ / − Es gibt vier Stufen der Kraftunterstützung (Eco, Tour, Speed und Turbo). Diese Tasten drücken, um die Kraftunterstützung von niedrig auf hoch einzustellen.

⌚ Es gibt vier Betriebsarten (Kilometerzähler, Fahrstrecke, Durchschnittsgeschwindigkeit, One way time). Diese Taste drücken, um die Betriebsart zu ändern.

### Grundfunktionen

- Die ⏻ - Taste verwenden, um die Hintergrundbeleuchtung einzuschalten, wenn die Stromversorgung eingeschaltet ist.
- Im Menü bei „zurückgelegte Kilometer“ (TRIP) zwei Sekunden lang die ⌚ - Taste drücken, um Zähler und Zeit zurückzusetzen.
- Durchschnittsgeschwindigkeit (AVG) im Menü zeigt Durchschnittsgeschwindigkeit an (Durchschnittsgeschwindigkeit = Fahrstrecke / Fahrtzeit)
- Fahrtzeit (TIME) im Menü zeigt die Zeit einer Einzelfahrt an.

### Fehlercodes

Fehler	Fehlerart	Fehlerbehebung
ERR-01	Sensorausfall	Wenden Sie sich an Ihren Händler vor Ort
ERR-02	Hallsensor defekt oder Motorkurzschluss	Neustart mit Hilfe der ⏻ -Taste
ERR-03	Steuergerät versagt	Wenden Sie sich an Ihren Händler vor Ort
ERR-05	Alarm „Ladepazität gering“	Batterie aufladen
ERR-06	Füße des Fahrers beim Starten auf dem Pedal	Neustart ohne Füße auf dem Pedal

## 4.4 Bereichsanzeige

Der Bereich hängt von verschiedenen Faktoren ab und wird von folgenden Aspekten beeinflusst:

- Kapazität (Ah) und Spannung (V) des Batteriesatzes
- Niveau der Pedalunterstützung
- Pedalunterstützungsbetriebsart oder Fahrprogramm
- Umgebungstemperatur
- Windstärke
- Reifendruck
- Fahrgeschwindigkeit
- Gewicht des Fahrers und der Last
- Fahrverhalten
- Straßenbedingungen
- Benutzung von Gängen
- Der Bereich wird spürbar abnehmen, wenn der Batteriesatz älter wird.

## 4.5 Pflege und Entsorgung der Batterie

### Pflege

- Wenn ein Batterieleck entsteht, Kontakt mit der austretenden Säure vermeiden und die beschädigte Batterie in eine verschlossene Plastiktüte legen.
- Sollte die Säure mit Haut oder Augen in Berührung kommen, mindestens 15 Minuten mit kaltem Wasser spülen und umgehend einen Arzt rufen.
- Eine neue Batterie vor der ersten Verwendung mindestens 12 Stunden aufladen.
- Zu starkes oder zu schwaches Aufladen der Batterie kann ihre Lebensdauer und die Betriebsdauer des Fahrzeugs verkürzen.
- Nach jeder Verwendung die Batterie aufladen, unabhängig davon, wie lange das Fahrzeug benutzt worden ist.
- Nicht mit dem Aufladen warten, bis die Batterie vollständig leer ist.
- Die Batterie austauschen, bevor das Fahrzeug gelagert wird.
- Die Batterie alle drei Monate mindestens drei Stunden aufladen, wenn das Fahrzeug nicht verwendet wird.
- Bleibt die Batterie längere Zeit in leerem Zustand, wird sie unbrauchbar.
- Wenn das Fahrzeug länger als zwei Monate gelagert wird, ist dafür zu sorgen, dass die Motorkabel von der Batterie getrennt werden.
- Die Batterie darf sich im Batteriefach nicht frei bewegen lassen.
- Bei jedem Aufladen Batterie, Ladegerät und Stecker auf Verschleiß oder Beschädigung prüfen. Im Falle einer Beschädigung weder Ladegerät noch Batterie benutzen, bis das verschlissene bzw. beschädigte Teil ersetzt worden ist.
- Nicht vergessen, eine leere Batterie aus dem Fahrzeug auszubauen.
- Leckage der Batterie führt zu Korrosion, wodurch das Fahrzeug beschädigt werden kann.
- Die Batterie nicht mit einem Hochdruckreiniger reinigen.
- Wird das Fahrzeug nicht benutzt, sollte die Batterie entfernt werden.

### Entsorgung von Batterie und Ladegerät



- Batterie und Ladegerät auf umweltfreundliche Weise recyceln.
- Die Batterie nicht in einer Feuerstelle entsorgen, da sie in Brand geraten oder explodieren kann.
- Die Batterie nicht in Ihrem normalen Haushaltsmüll entsorgen. Die Verbrennung, Deponierung oder Mischung von Batterien mit Haushaltsabfällen ist verboten.
- Die leere Batterie sollte bei einer anerkannten Recyclingstelle abgegeben werden. Wenden Sie sich an Ihre Abfallverwertungsbeauftragten vor Ort, wenn Sie weitere Informationen bezüglich der korrekten Vorgehensweise bei Einsammlung, Recycling und Entsorgung von Batterien wünschen.

## 5. Garantie

### 5.1 Garantiezeitraum

Für dieses Produkt gewährt BERG dem Eigentümer die folgenden Garantien:

- Während zwei Jahren nach dem Datum der Kaufrechnung Garantie auf den Rahmen.
- Während ein Jahr nach dem Datum der Kaufrechnung Garantie auf die übrigen Teile.
- Für Verschleißteile (z. B. Kette und Reifen) wird keine Garantie gewährt.
- Prüfen Sie [www.bergtoys.com](http://www.bergtoys.com) für umfangreiche warranty Vorschriften.

### 5.2 Garantiebestimmungen

Die Garantie für dieses Produkt kann nur vom Eigentümer unter Vorlage der Original-Kaufrechnung in Anspruch genommen werden. Die Garantie erstreckt sich ausschließlich auf Material- und Konstruktionsfehler an diesem Produkt und seinen Teilen. Die Garantie erlischt, wenn:

- das Produkt unsachgemäß oder unsorgfältig verwendet wird;
- das Produkt zweckentfremdet genutzt wird;
- das Produkt nicht gemäß der Gebrauchsanweisung montiert und gewartet wird;
- an dem Produkt unsachgemäße technische Reparaturen vorgenommen werden;
- nachträglich Teile montiert werden, die nicht den technischen Spezifikationen des Produkts entsprechen, oder nachträglich auf unsachgemäße Weise Teile montiert werden;
- nachträglich montierte Teile oder Ersatzteile kein offizielles BERG-Zubehör bzw. keine offiziellen BERG-Teile;
- witterungsbedingte Schäden wie Korrosion oder normale Lackverwitterung entstehen;
- das Produkt vermietet oder auf andere Weise mehreren un spezifizierten Personen zur Verfügung gestellt wird.
- Der Batterie, das Display oder das Ladegerät werden geöffnet.

BERG haftet in keinem Fall für Schäden am Produkt oder an Teilen des Produkts, die die Folge sind:

- einer fehlerhaften Einstellung/Spannung des Lenkrades, des Lenkmechanismus, der Kette, der Reifen oder der Gangnabe;
- des nicht rechtzeitig erfolgten Austausches von Verschleißteilen wie Kette und Reifen.

"Während des Garantiezeitraums werden alle von BERG festgestellten Material- oder Konstruktionsfehler nach Wahl von BERG repariert oder ausgetauscht."

Der Eigentümer dieses Produkts kann Anspruch auf Garantie erheben, indem er sich an den Händler wendet, bei dem er dieses Produkt gekauft hat. Neben der Beanstandung werden die Seriennummer des Produkts und der originale Kaufbeleg benötigt. Sie finden die Seriennummer auf dem Rahmen des Produkts.

Bei Ablehnung eines Garantieantrags trägt der Eigentümer des Produkts alle entstandenen Kosten.

Diese Garantie ist nicht auf Dritte übertragbar.

## Introduction

Vous avez choisi un produit BERG et nous vous en félicitons.

BERG conçoit et fabrique des produits sûrs et robustes. Vous avez choisi un produit BERG. Cela signifie des années de plaisir . En raison du développement continu de nos produits, nous nous réservons le droit de modifier les spécifications du produit sans vous en avertir.

Lisez attentivement la présente notice d'utilisation afin de connaître les consignes de sécurité et d'entretien nécessaires.

Le produit BERG a une longue durée de vie mais il aura besoin d'entretien de temps en temps. Vous trouverez les instructions pour la maintenance dans le manuel de l'utilisateur. Les gens qui gardent cela à l'esprit ont la garantie d'un jouet solide, qui va durer pendant de nombreuses années .

Visitez notre page d'accueil [www.bergtoys.com](http://www.bergtoys.com) pour en savoir plus sur BERG et voir nos produits et accessoires . Vous êtes cordialement invités à envoyer un e-mail à BERG , avec vos suggestions d'amélioration ou autres remarques. Vous pouvez les envoyer à [info@bergtoys.com](mailto:info@bergtoys.com).

## Contenu

1. Avertissements
  - 1.1 Avertissements généraux
  - 1.2 Avertissements relatifs à la batterie
  - 1.3 Avertissements relatifs au chargeur
2. Directives destinées aux utilisateurs
  - 2.1 Sécurité
  - 2.2 Consignes pour les utilisateurs
    - 2.2.1 Avant utilisation
    - 2.2.2 Pendant utilisation
  - 2.3 Limites d'utilisation
3. Maintenance
  - 3.1 Schéma de maintenance
  - 3.2 Activités de maintenance
    - 3.2.1 Cadre
    - 3.2.2 Roues/Pneus
    - 3.2.3 Direction
    - 3.2.4 Mécanisme d'entraînement
    - 3.2.5 Pièces en plastique
4. Composants électroniques
  - 4.1 Bloc-batterie
    - 4.1.1 Installation du bloc-batterie
    - 4.1.2 Retrait du bloc-batterie
  - 4.2 Chargeur
  - 4.3 Affichage
    - 4.3.1 Spécifications
    - 4.3.2 Description de fonction
    - 4.3.3 Procédure de fonctionnement
  - 4.4 Indication de plage
  - 4.5 Entretien et élimination de la batterie
5. Garantie
  - 5.1 Durée de la garantie
  - 5.2 Règlement de la garantie

## 1. Avertissements

### 1.1 Avertissements généraux

- AVERTISSEMENT. Ce jouet ne convient pas aux enfants de moins de 6 ans en raison de sa vitesse maximale.
- AVERTISSEMENT. Ne pas utiliser dans des lieux publics en raison du risque d'accident avec d'autres véhicules, des obstacles, des animaux et des personnes.
- Les lieux sûrs pour l'utilisation sont les jardins ou les espaces fermés offrant une bonne visibilité pour l'adulte s'occupant de la surveillance.
- La surveillance d'un adulte est requise. Ne jamais utiliser sur route, près de véhicules motorisés, sur ou à proximité de pentes ou de marches, de piscines ou d'autres étendues d'eau. Toujours porter des chaussures et ne pas autoriser plus de 2 utilisateurs à la fois.
- Les adultes doivent préparer et expliquer le fonctionnement aux enfants avant la première utilisation. Le fonctionnement des pédales et des freins doit être clairement expliqué à l'enfant, en insistant particulièrement sur le fonctionnement de l'accélération.
- Les enfants (de moins de 12 ans) ne sont pas autorisés à utiliser le produit que sous la surveillance d'un adulte.
- Ce produit ne doit pas être utilisé sur la voie publique.
- Ne pas tourner brusquement lors de la conduite à vitesse élevée. Le kart à pédale peut basculer !
- Faites attention aux vêtements volants tels que les écharpes ou lacets. Ces derniers peuvent s'entremêler dans les pièces en mouvements, pouvant causer ainsi des accidents.
- Ne jamais conduire si vous êtes sous l'influence de l'alcool, drogue ou médicament pouvant avoir un effet négatif sur votre temps de réaction ou votre capacité d'observation.

### 1.2 Avertissements relatifs à la batterie

- Chargez complètement le bloc-batterie avant la première utilisation du kart à pédales électrique.
  - Toutes les batteries perdent en puissance au fil du temps. Ce processus s'appelle « l'autodécharge ». Un bloc-batterie déchargé et qui n'est pas rechargé peut atteindre une décharge totale en raison de l'autodécharge pendant un délai de deux mois, ce qui la rend défectueuse. La garantie est nulle en cas de décharge totale.
  - Le bloc-batterie n'a pas besoin d'être complètement vide avant d'être chargé. Le bloc-batterie restera en bon état si vous le chargez après chaque utilisation (peu importe la distance parcourue). Une fois la batterie complètement chargée, la charge s'arrête automatiquement. Le témoin sur le chargeur reste allumé en vert.
  - Vous pouvez laisser le chargeur branché en cas de stockage de longue durée. Si ce n'est pas possible, rechargez le bloc-batterie complètement et débranchez le chargeur de ce dernier. Rechargez complètement le bloc-batterie au moins une fois tous les deux mois.
  - Assurez-vous que la température du bloc-batterie reste comprise dans les limites de température indiquées ci-dessous. Cela permet d'étendre la durée de vie et d'augmenter la performance du bloc-batterie. En outre, le chargement ou l'assistance électrique ne fonctionnera pas en deçà ou au-delà de ces limites de température.
- | Statut                                       | Minimum (°C) | Maximum (°C) |
|--|--------------|--------------|
| Pendant la charge                            | 0            | 45           |
| Pendant l'utilisation                        | -10          | 45           |
| Stockage (au moins 60 % du niveau de charge) | -10          | 35           |
- Chargez toujours le bloc-batterie en utilisant le chargeur fourni avec le kart à pédales électrique. N'utilisez pas d'autres chargeurs.
  - Ne rechargez pas le bloc-batterie à la lumière directe du soleil.
  - Ne faites pas tomber le bloc-batterie. Cela peut l'endommager.
  - N'oubliez pas que votre kart à pédales électrique produit moins d'assistance à faible température (en dessous de 10 °C) et que le bloc-batterie se déchargera plus rapidement.
  - Des changements brusques de température peuvent provoquer des différences majeures dans l'indication de charge de la batterie, notamment à faible température et avec une faible charge du bloc-batterie.

- N'ouvrez pas la batterie pour éviter tout risque de décharge électrique.
- Tenez la batterie à distance du sel et de liquides acides.
- Ne faites pas fonctionner une batterie présentant des dommages externes.
- Ne court-circuitez pas la batterie.
- Tenez la batterie à distance de la chaleur et du feu.

### 1.3 Avertissements relatifs au chargeur

- N'utilisez pas ce chargeur pour d'autres produits. Il est uniquement conçu pour les véhicules alimentés par batterie Li-Ion.
- Ne connectez pas le chargeur à la tension secteur lorsqu'il n'est pas utilisé.
- Débranchez le chargeur de la batterie avant de commencer à utiliser le véhicule.
- Assurez-vous que le chargeur n'entre pas en contact avec de l'humidité.
- N'endommagez pas le chargeur.
- N'utilisez pas le chargeur si celui-ci a subi un impact, une chute ou tout autre dommage. Examinez le chargeur et la batterie avant chaque utilisation et remplacez-les si vous trouvez toute trace d'usure ou de dommage.
- Le chargeur est conçu pour fonctionner en utilisant un courant électrique domestique standard (200-240V ou 110V en utilisant le convertisseur). N'essayez pas d'utiliser le chargeur avec tout autre niveau de tension!
- Ne modifiez et/ou ne court-circuitez jamais le système électrique, car cela pourrait engendrer un risque de décharge électrique, d'électrocution ou d'incendie.
- Pour réduire le risque de dommage au chargeur, retirez-le de la prise en tirant sur la fiche plutôt que sur le cordon.
- Assurez-vous que le cordon n'entrave pas le passage pour que personne ne trébuche ou marche dessus et pour ne pas le soumettre à des dommages ou une tension.
- L'utilisation d'une rallonge n'est pas conseillée sauf si elle est indispensable. L'utilisation d'une rallonge inadéquate pourrait provoquer un risque d'incendie, de décharge électrique ou d'électrocution.
- Pour éviter toute décharge électrique, n'immergez pas le chargeur ou la batterie dans l'eau lors du nettoyage. Pour les nettoyer, débranchez la fiche du chargeur / de la batterie et essuyez à l'aide d'un chiffon sec.
- Ne posez aucun objet sur le chargeur ou ne placez pas le chargeur sur une surface molle, car cela pourrait générer une chaleur excessive. Placez le chargeur à distance de toute source de chaleur.
- Lorsque la charge est terminée, débranchez le chargeur de la prise murale et de la batterie. Placez la batterie et le chargeur hors de la portée des enfants.
- Gardez la batterie et le chargeur dans un lieu sec hors de la portée des enfants.
- Ne démontez pas le chargeur afin d'essayer de le réparer. Si le chargeur est endommagé, veuillez contacter votre revendeur Berg.
- Cet appareil n'est pas destiné à être utilisé par des personnes ayant des handicaps physiques, sensoriels ou mentaux, ou un manque d'expérience, à moins qu'elles n'aient été informées de la manière d'utiliser l'appareil par une personne responsable de leur sécurité.

## 2. Directives destinées aux utilisateurs

BERG ou le vendeur ne peuvent être tenus responsables de la mauvaise utilisation du présent produit. Veuillez lire les présentes directives afin d'utiliser ce produit correctement et en toute sécurité. BERG ne peut être tenu responsable pour toute omission dans le présent manuel.

### 2.1 Sécurité

Si vous avez de question ou si vous n'êtes pas sûr des informations, veuillez contacter votre revendeur BERG ou BERG.

### 2.2 Consignes pour les utilisateurs

Toujours utiliser le produit BERG comme indiqué plus bas. Toute autorisation non autorisée peut entraîner des blessures graves de l'utilisateur et/ou du produit.

#### 2.2.1 Avant utilisation

- Ajustez le siège et le volant à la bonne position en fonction de la taille de l'utilisateur.
- Assurez-vous que le volant, les freins et les pneus fonctionnent correctement et que les boulons et écrous sont fixés.
- Les protections ayant été retirées pour la maintenance doivent toujours être replacées à leur emplacement original avant utilisation.
- Vérifiez la pression des pneus et assurez-vous qu'elle est conforme à la norme indiquée sur le pneu. Voir maintenance.
- Les adultes sont tenus de donner les intructions nécessaires à une utilisation en toute sécurité.
- Instruire l'enfant de la façon d'utiliser le frein.

#### 2.2.2 Pendant utilisation

- Roulez à une vitesse adaptée et contrôlable.
- Faites toujours vien attention à l'entourage pendant l'utilisation.
- Freinez toujours de la manière indiquée en utilisant le frein à main/ frein à rétro pédalage.
- Roulez toujours sur une surface plane sans obstacles.
- Le port de vêtements de protection n'est pas obligatoire mais conseillé.
- Veillez à ce que le produit, lorsqu'il est stationné puisse pas rouler inopinément. Utilisez le frein de stationnement.
- Ne placez pas d'objets sure ou au volant. Veillez à ce que le volant puisse toujours bien fonctionner.
- Utilisez le frein à pédale arrière en pédalant vers l'arrière.
- Pour bénéficier d'une meilleure puissance de freinage, utilisez le frein de stationnement.

### 2.3 Limites d'utilisation

- Ce produit ne doit pas être utilisé sur la voie publique.
- Ne pas rouler vers l'arrière à vitesse élevée. Vous pourriez perdre le contrôle de cette façon.
- "Les collisions et autres cascades augmentent les chances de blesser l'utilisateur (les utliisateurs) et d'endommager le produit et ne sont donc pas autorisées.
- "
- Évitez tout contact entre les pièces en mouvement lorsque vous conduisez le produit.
- Ne pas monter ou descendre du produit lorsqu'il est en mouvement.
- Ne pas surcharger le produit. Le poids maximum par utilisateur est 100kg.
- Ne jamais conduire dans le noir sans éclairage
- Ne prenez pas de virages serrés à grande vitesse, le produit risque de se retourner.
- L'utilisation de ce produit n'est pas autorisés sur des terrains en pente et à forte déclivité. Ne montez pas ou ne descendez pas une pente ou ne roulez pas en travers d'une pente.

## 3. Maintenance

Il est nécessaire d'effectuer de la maintenance pour utiliser le produit BERG et s'amuser sur le long terme. Le présent chapitre explique la méthode, la fréquence et le type de maintenance à effectuer.

### 3.1 Schéma de maintenance

Quotidien	Mensuel	Bi-annuel	Annuel
<p><b>Roues/Pneus</b> Vérifier l'équipement. Vérifiez la pression des pneus et, si nécessaire, augmentez la pression. Procédez à cette opération hors de la lumière directe du soleil et dans un lieu frais.</p>	<p><b>Cadre</b> Nettoyer et vérifier tous les boulons et écrous. Vérifier si le cadre présente des fissures ou cassures.</p> <p><b>Mécanisme de conduite</b> Vérifier la bonne tension de la chaîne. Graissage de la chaîne.</p> <p><b>Direction</b> Vérifier tous les boulons et écrous. Lubrifiez les pièces en mouvement. Nettoyez et huilez les chaînes.</p>	<p><b>Mécanisme de conduite</b> Vérifier le bon fonctionnement des paliers, la chaîne, le hub, les pignons et axes.</p>	<p><b>Les pièces en plastique</b> Nettoyez les pièces en plastique et vérifiez les dégâts.</p>

### 3.2 Activités de maintenance

Ce chapitre décrit comment, à quelle fréquence, et l'entretien doit être effectué.

#### 3.2.1 Cadre

- Le cadre est revêtu à la poudre ou plaqué au zinc noir. Pour éviter que la formation de rouille, il est important de nettoyer régulièrement le cadre. Si vous souhaitez conserver le cadre avec de la graisse, utilisez seulement des substances non acides. Vous pouvez traiter les zones abimées à la peinture.
- Vérifiez la rouille sur les boulons et écrous et remplacez-les pour éviter qu'ils ne se brisent et engendrent des blessures.

#### 3.2.2 Roues/Pneus

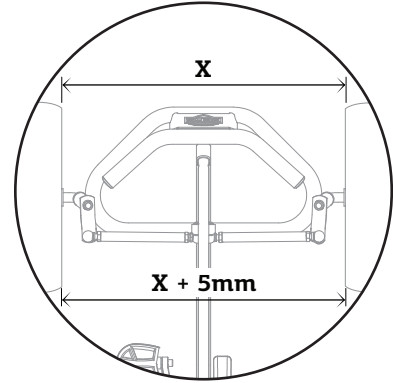
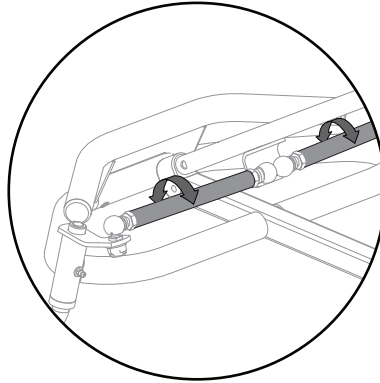
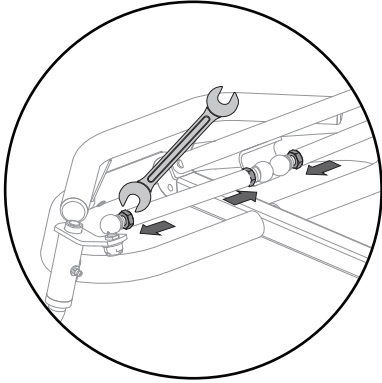
- Vérifiez régulièrement si les rebords et pneus sont endommagés (par exemple coupés, fissurés ou bombés). Attention : des rebords et pneus endommagés peuvent entraîner des accidents ! Les pneus ne doivent pas entrer en contact avec l'huile, la graisse ou l'essence.
- La bonne pression des pneus est affichée en dessous du pneu. Si les pneus sont à la bonne pression, le produit sera léger et facile à manipuler. Si la pression est trop basse, les pneus vont fuir rapidement et subiront une usure et déchirure excessive. Si la pression est trop élevée, le pneu par exemple s'échapper du rebord, entraînant des situations dangereuses. Attention : n'oubliez pas que les rayons chauds du soleil et les températures élevées augmentent la pression des pneus. Les pneus ne doivent pas entrer en contact avec l'huile, la graisse ou l'essence. Assurez-vous que les capuchons des valves sont toujours mis sur les valves.



### 3.2.3 Volant

L'équipement du volant doit être vérifié chaque mois sur les points suivants :

- Dégâts, rouilles, usure et déchirure.
- Tous les boulons et écrous doivent être serrés.



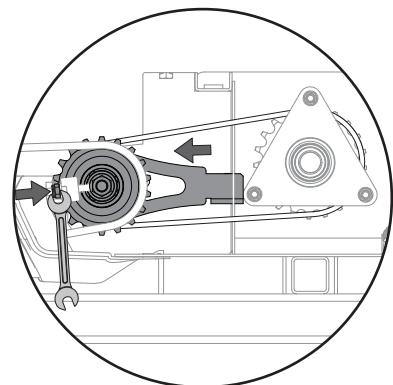
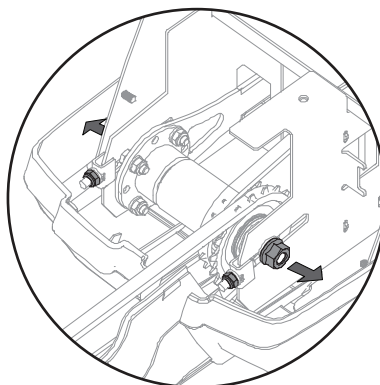
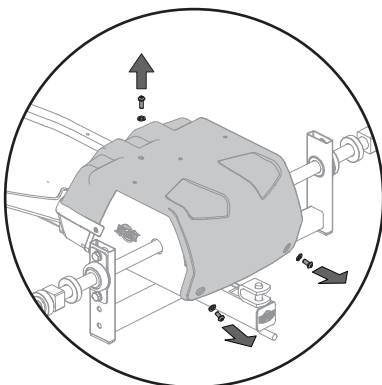
### 3.2.4 Mécanisme d'entraînement

#### Chaîne

Le kart à pédale dispose d'un mécanisme et conduite à deux chaînes. Assurez-vous que les chaînes sont suffisamment huilées afin de pouvoir vous déplacer librement. Si la chaîne est trop sous tension, le pédalage peut être plus difficile et il y a une forte chance que la chaîne et le pignon s'usent ou se brisent plus vite, parmi d'autres points. Si la chaîne n'est pas assez sous tension, cette dernière peut facilement passer sur le pignon ou il y a une forte chance d'endommager le boîtier de la chaîne. Lorsque les deux chaînes doivent être sous tension, commencez toujours par la chaîne arrière / courte.

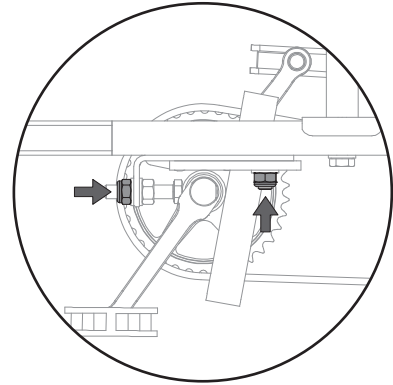
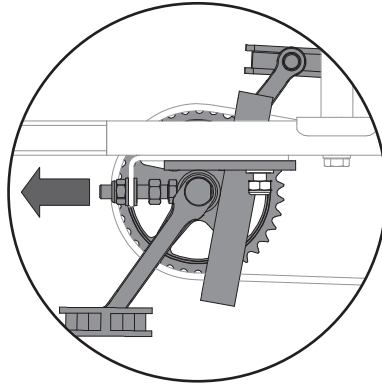
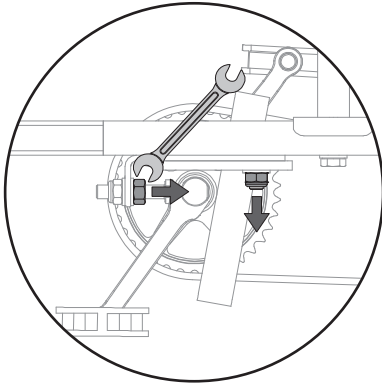
Pour tendre la chaîne arrière :

- Retirez le capuchon de protection.
- Désserrez les écrous du hub.
- Tendez la chaîne en déplaçant le hub vers l'avant.
- Assurez-vous que le hub reste exactement parallèle à l'axe arrière.
- Retendez les écrous du hub.
- La chaîne dispose de la bonne tension s'il est possible de pousser le milieu de 6 millimètres vers le bas.
- Resserrez les quatre boulons. Gardez le pignon parallèle à la protection de la chaîne.
- Montez la protection de la chaîne lorsque la chaîne dispose de la bonne tension.
- La protection de la chaîne doit être retirée pour graisser la chaîne et vérifier la tension.



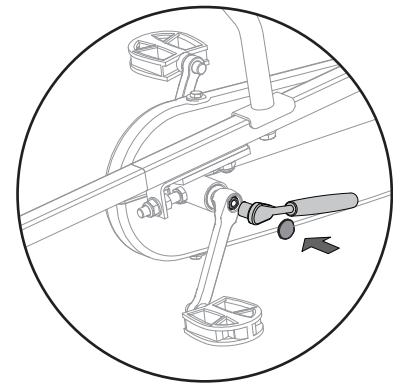
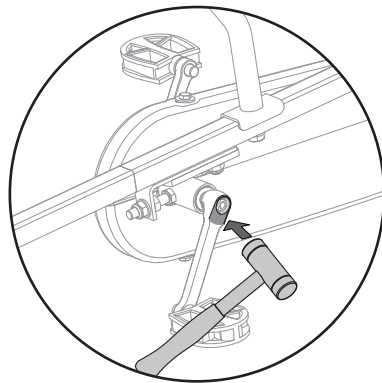
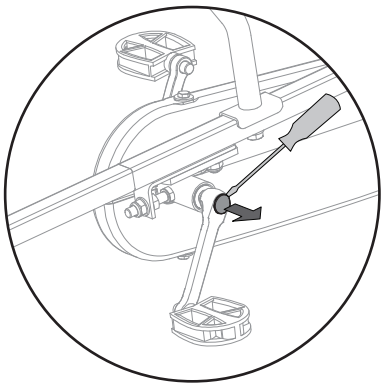
Tendre la chaîne avant :

- Déserrer les boulons de l'axe de la manivelle au bas du cadre.
- Tendez la chaîne en déplaçant l'axe de la manivelle vers l'avant.
- Resserrez les boulons. Il doit être possible de pousser le milieu de la chaîne d'1 centimètre vers le bas. Pour le vérifier, vous devez retirer la moitié basse du boîtier de la chaîne.



### Ajustement de la manivelle

Après avoir utilisé le produit pendant plusieurs jours (utilisation intensive) ou pendant deux semaines (utilisation normale) après l'achat, les boulons de montage avec lesquelles les manivelles de gauche et de droite sont montées doivent être serrés à nouveau (voir illustration ci-dessous). Veuillez noter qu'elles doivent être "serrées à la main", c'est-à-dire avec un serrage de 30 Nm au maximum (il est normal que l'assemblage de la manivelle se règle après une période d'utilisation en raison de la force appliquée aux pédales). Si ceci n'est pas fait régulièrement, il est possible qu'une certaine dose de jeu puisse survenir, engendrant des dégâts sur la manivelle et l'axe de la manivelle. Ce jeu peut être réduit en serrant davantage les boulons.



### Roue libre à rétrofreinage

Le système de roue libre avec rétro-freinage fonctionne comme un frein à rétropédalage ayant une fonction de roue libre. Ce système permet également de rouler en marche arrière. Le kart à pédales BERG avec roue libre à rétro-freinage devra être contrôlé au moins tous les six mois pour vérifier la tension de chaîne.

### 3.2.5 Pièces en plastique

Les pièces en plastique doivent être contrôlées régulièrement pour s'assurer qu'elles ne sont pas endommagées ou cassées. Si une pièce est cassée, vous êtes censé la remplacer par une pièce neuve d'origine afin de garantir la sécurité de l'utilisateur.

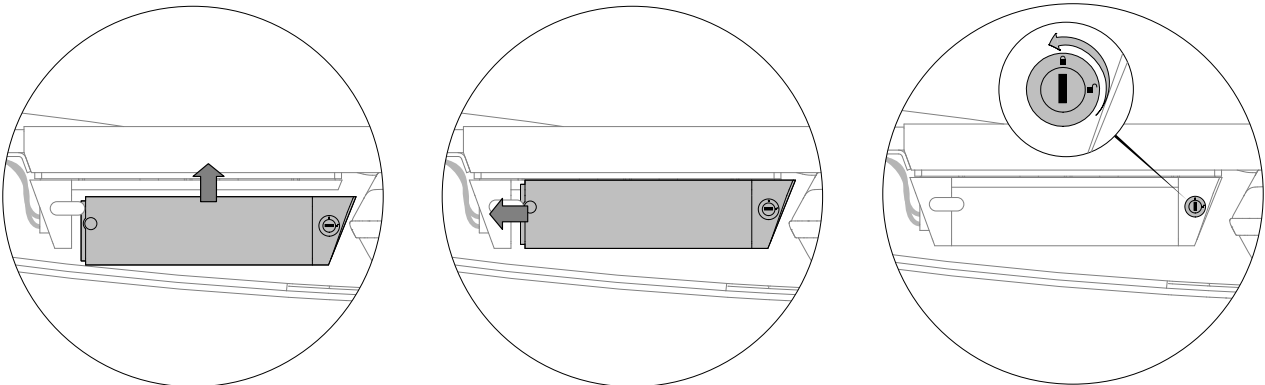
## 4. Composants électroniques

### 4.1 Bloc-batterie

#### 4.1.1 Installation du bloc-batterie

- Placez la clé dans la serrure
- Assurez-vous que la clé est en position déverrouillée
- Poussez soigneusement la batterie le long du rail de guidage jusqu'à ce que le côté arrière se connecte au côté avant sans aucun écart.
- Tournez la clé en position verrouillée.
- Retirez la clé et gardez-la hors de la portée des enfants.
- Assurez-vous que le couvercle de la prise de charge est fermé.
- Assurez-vous que le bloc-batterie est verrouillé en le tirant vers l'arrière.
- Assurez-vous de garder vos clés dans un lieu sûr.
- Si la batterie ne fonctionne pas, vérifiez la surface de contact entre le bloc-batterie et la station d'accueil. Elle doit être exempte de saleté et d'humidité pour assurer le bon fonctionnement du kart à pédales électrique. Si nécessaire, utilisez un chiffon propre pour la nettoyer. Une grande quantité d'humidité et de saleté peut entraîner des problèmes de contact et/ou des défaillances. Si elle ne fonctionne toujours pas, veuillez contacter votre concessionnaire.

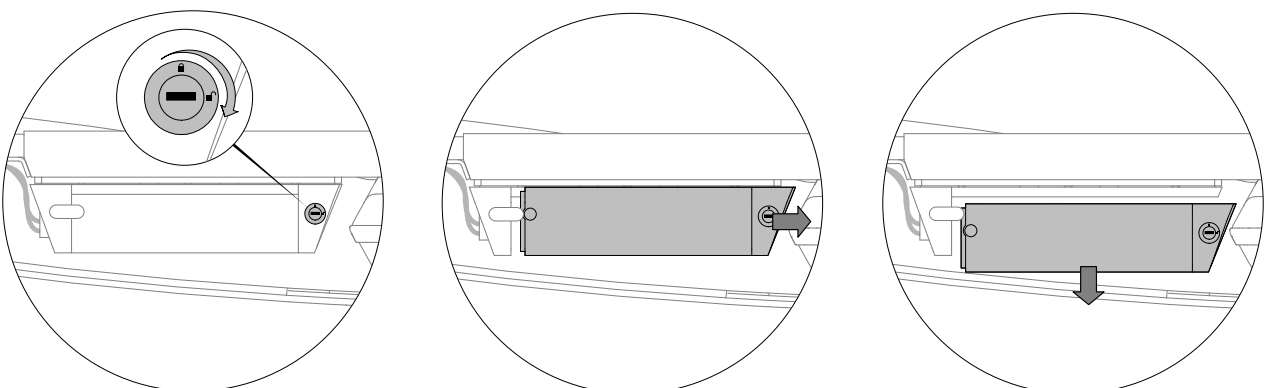
Un bloc-batterie correctement installé ne peut plus être retiré sans clé.



#### 4.1.2 Retrait du bloc-batterie

- Assurez-vous que le couvercle de la prise de charge est fermé.
- Insérez la clé dans la serrure.
- Tournez la clé en position déverrouillée.
- Retirez le bloc-batterie en le tirant d'abord vers le garde-chaîne arrière, puis en le poussant vers le bas.

Retirez toujours le bloc-batterie en utilisant vos 2 mains pour éviter qu'il ne tombe.

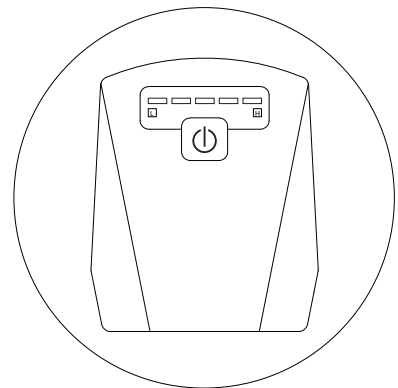
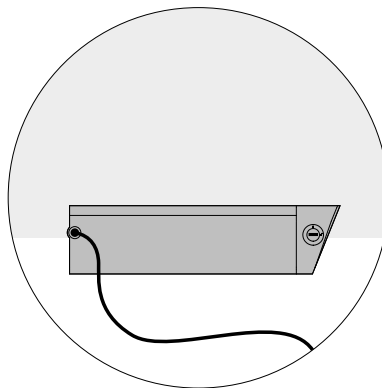
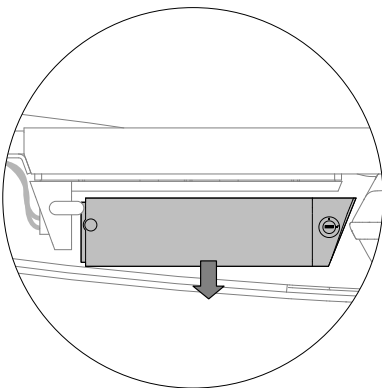


## 4.2 Chargeur

La durée de charge moyenne est de 6 heures (pour une batterie déchargée).

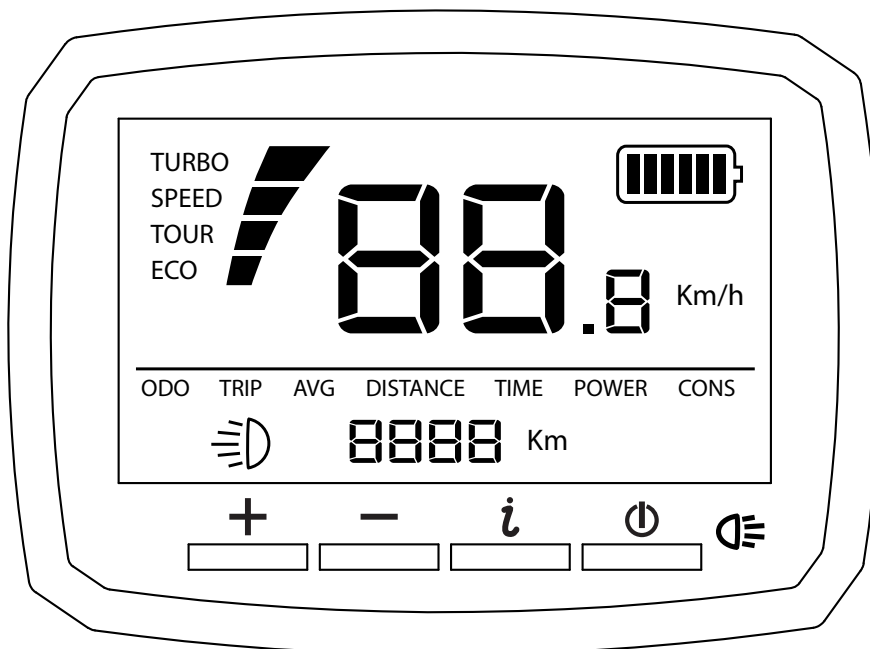
### Chargement du bloc-batterie

- Le chargeur de batterie doit uniquement être utilisé par un adulte.
  - Vérifiez que le cordon secteur est branché au chargeur.
  - Connectez le chargeur à la tension secteur. Le témoin vert s'allume.
  - Connectez la fiche à la borne de recharge de la batterie.
  - En appuyant sur le bouton d'arrêt, les témoins LED du bloc-batterie affichent la charge de la batterie. Chaque LED verte représente 25 %.
  - Lorsque le chargeur allume une lumière verte, le bloc-batterie est complètement chargé
- La batterie peut uniquement être chargée séparément du kart à pédales.



F

## 4.3 Affichage



### 4.3.1 Spécifications

Type:	VLCD-5
Tension de fonctionnement:	DC11V-60V
Courant de fonctionnement max.:	70mA(11V) 32mA(50V)
Luminosité du rétroéclairage:	200cd/m <sup>2</sup>

## 4.3.2 Description de fonction

- Affichage de la vitesse  
Affiche la vitesse actuelle
- Indicateur de consommation  
Six blocs horizontaux indiquent le niveau d'énergie de la batterie (chaque bloc représente 16 pour cent de l'énergie électrique) et clignotent pour vous rappeler de charger la batterie.
- Distance parcourue (se réinitialise lorsque l'appareil est hors tension)  
Affiche la distance parcourue.
- Odographe (ODO)  
Affiche la distance totale.
- Vitesse moyenne (AVG)  
Affiche la vitesse moyenne.
- Assistance électrique  
Affiche l'assistance électrique. 4 niveaux d'assistance électrique réglables.
- Rétroéclairage de l'affichage  
Alterne entre 2 niveaux de luminosité, il est désactivé par défaut.

## 4.3.3 Procédure de fonctionnement

### Définition du bouton

- + Plus/supérieur
- Moins/inférieur
- ⌵ Menu
- ⏻ Marche/arrêt et rétroéclairage

⏻ Appuyez sur ce bouton pour mettre sous tension, appuyez sur ce bouton pendant 2 secondes pour mettre hors tension.

Le système s'éteint automatiquement si aucune opération n'est exécutée pendant 5 minutes.

+ / - Il y a 4 niveaux d'assistance électrique (Eco, Tour, Speed et Turbo). Appuyez sur ces boutons pour régler l'assistance électrique de faible à élevée.

⌵ Il y a 4 pages de mode (odomètre, distance parcourue, vitesse moyenne, durée d'aller simple). Appuyez sur ce bouton pour régler le mode.

### Fonctions de base

- Utilisez le bouton ⏻ pour modifier le rétroéclairage lorsque l'appareil est sous tension
- Dans le menu, dans la distance parcourue (TRIP), appuyez sur le bouton ⌵ pendant 2 secondes pour réinitialiser le compteur et la durée.
- Dans le menu, la vitesse moyenne (AVG) affiche la vitesse moyenne (vitesse moyenne = distance parcourue / durée de déplacement)
- Dans le menu, la durée de déplacement (TIME) indique le temps d'un aller simple.

### Codes d'erreur

Erreur	Type d'erreur	Comment la résoudre
ERR-01	Défaillance du capteur	Contactez votre revendeur local
ERR-02	Défaillance du moteur ou court-circuit du moteur	Redémarrez en utilisant le bouton ⏻
ERR-03	Défaillance du régulateur	Contactez votre revendeur local
ERR-05	Alerte de faible énergie	Chargez la batterie
ERR-06	Le pied du cycliste est sur la pédale au démarrage	Redémarrez sans poser votre pied sur la pédale

## 4.4 Indication de plage

La plage dépend de plusieurs facteurs et est influencée par les éléments suivants :

- La capacité (Ah) et la tension (V) du bloc-batterie
- Le niveau d'assistance de la pédale
- Le mode d'assistance de la pédale ou le programme de fonctionnement
- La température ambiante
- La force du vent
- La pression des pneus
- La vitesse
- Le poids du conducteur et la charge
- Le comportement de conduite
- L'état de la route
- L'utilisation des vitesses
- La plage diminuera sensiblement au même rythme que le vieillissement du bloc-batterie.

## 4.5 Entretien et élimination de la batterie

### Entretien

- En cas de fuite de la batterie, évitez tout contact avec la fuite d'acide et placez la batterie endommagée dans un sac en plastique hermétique.
- En cas de contact de la peau ou des yeux avec de l'acide, rincez à l'eau froide pendant au moins 15 minutes et appelez immédiatement un médecin.
- Une batterie neuve doit être chargée pendant au moins 12 heures avant la première utilisation.
- Une surcharge ou une charge insuffisante de la batterie peut réduire la durée de vie de la batterie ainsi que la durée de fonctionnement du véhicule.
- Chargez la batterie après chaque utilisation, peu importe la durée d'utilisation du véhicule.
- Ne laissez pas la batterie se décharger complètement avant de la charger.
- Changez la batterie avant le stockage du véhicule.
- Chargez la batterie pendant au moins 3 heures tous les 3 mois lorsque celle-ci n'est pas utilisée.
- Si la batterie est laissée déchargée, cela l'endommagera.
- Si le véhicule est stocké pendant plus de deux mois, assurez-vous de débrancher le câblage d'alimentation entre le moteur et la batterie.
- Veillez à ce que la batterie ne se déplace pas librement dans le compartiment à batterie.
- Examinez la batterie, le chargeur et son connecteur à la recherche d'usure ou de dommages excessifs chaque fois que vous chargez la batterie. Si vous détectez des dommages, n'utilisez pas le chargeur ou la batterie jusqu'à ce que vous ayez remplacé la partie usée ou endommagée.
- N'oubliez pas de retirer la batterie du véhicule si celle-ci est épuisée.
- La corrosion et une fuite de la batterie peuvent endommager le véhicule.
- Ne nettoyez pas la batterie avec un jet d'eau à haute pression.
- Retirez la batterie du véhicule lorsqu'il n'est pas utilisé.

### Élimination de la batterie et du chargeur



- Recyclez la batterie et le chargeur dans le respect de l'environnement.
- Ne jetez pas votre batterie au feu, car elle pourrait prendre feu ou exploser.
- Ne jetez pas votre batterie avec vos ordures ménagères habituelles. L'incinération, l'enfouissement ou le mélange des batteries avec les ordures ménagères sont interdits.
- Déposez toute batterie épuisée auprès d'une installation de recyclage agréée. Contactez les autorités locales chargées de la gestion des déchets pour toute autre information concernant la collecte, le recyclage et l'élimination écologiques des batteries.

## 5. Garantie

### 5.1 Période de garantie

Le propriétaire de ce produit BERG bénéficie des garanties suivantes sur le produit:

- Garantie de 2 ans sur le châssis à compter de la date figurant sur la facture d'achat.
- Garantie de 1 ans sur les autres pièces à compter de la date figurant sur la facture d'achat.
- Aucune garantie n'est accordée sur les pièces soumises à usure (comme chaîne et pneus).
- Vérifiez [www.bergtoys.com](http://www.bergtoys.com) pour une vaste réglementation de Garantie retour.

### 5.2 Warranty regulations

Le propriétaire de ce produit ne peut faire valoir la garantie que sur présentation de l'original de la facture d'achat. La garantie couvre uniquement les défauts de fabrication et les défauts liés aux matériaux, qui concernent ce produit et les pièces détachées. La garantie devient caduque lorsque:

- Ce produit a été utilisé de manière erronée et/ou inappropriée.
- L'utilisation n'est pas conforme à celle à laquelle le produit est destiné.
- Ce produit n'a pas été assemblé et entretenu conformément au manuel d'instructions.
- Des réparations techniques sur ce produit n'ont pas été effectuées de manière professionnelle.
- Des pièces qui ne sont pas conformes aux spécifications techniques du produit concerné ont été montées après-coup ou ont été montées de façon erronée.
- Les pièces détachées ajoutées après-coup ou remplacées ne sont pas des pièces détachées ou des accessoires officiels de BERG.
- Des défauts apparaissent suite aux conditions climatiques, comme rouille ou altération normale de la peinture.
- Le produit est utilisé à la location ou est mis d'une autre manière à la disposition de plusieurs personnes non spécifiées.
- La batterie, l'écran ou le chargeur est en cours d'ouverture.

BERG ne peut en aucun cas être tenu responsable de dommages causés au (aux pièces détachées du) produit en conséquence:

- D'un réglage erroné de la direction, du mécanisme de direction ou du moyeu de la boîte de vitesse, d'une tension erronée de la chaîne ou d'une pression erronée des pneus.
- D'un remplacement tardif de pièces d'usure, comme chaîne et pneus.

Pendant la période de garantie, tous les défauts de fabrication ou défauts liés aux matériaux, constatés par BERG seront soit réparés soit remplacés, au choix de BERG.

Le propriétaire du produit peut seulement réclamer au titre de cette garantie en revenant à la société où le produit a été acheté. Outre la plainte, prendre le numéro de série du produit et le reçu d'achat original avec vous. Vous pouvez trouver le numéro de série sur le châssis du produit.

Si la demande de garantie est rejetée, tous les frais occasionnés sont à la charge du propriétaire du produit.

Cette garantie n'est pas cessible à des tiers.

## Introducción

Felicitaciones por haber elegido un producto de BERG.

BERG diseña y produce un producto resistente y seguro. Usted ha elegido un producto BERG, esto significa que ha elegido un producto que le durará muchos años. Debido al desarrollo continuo de nuestros productos, nos reservamos el derecho de cambiar las especificaciones sin dar ningún aviso.

Lea detenidamente este manual de usuario para las instrucciones necesarias de seguridad y mantenimiento.

El producto BERG tiene una larga vida útil, pero necesitará un poco de mantenimiento de vez en cuando. Encontrará las instrucciones para el mantenimiento en este manual del usuario. Las personas que mantienen los productos, están garantizando que sea un juguete resistente al desgaste y que va a durar muchos años.

Visita nuestra página web [www.bergtoys.com](http://www.bergtoys.com) para saber más acerca de BERG y ver nuestros productos y accesorios. Les invitamos a enviar un correo electrónico a BERG, con sus propuestas de mejora y otras experiencias. Los puede enviar a [info@bergtoys.com](mailto:info@bergtoys.com).

## Índice

1. Advertencias
  - 1.1 Advertencias generales
  - 1.2 Advertencias sobre la batería
  - 1.3 Advertencias sobre el cargador
2. Directrices para el usuario
  - 2.1 Seguridad
  - 2.2 Instrucciones de uso
    - 2.2.1 Antes del uso
    - 2.2.2 Durante el uso
  - 2.3 Restricciones de uso
3. Mantenimiento
  - 3.1 Plan de mantenimiento
  - 3.2 Actividades de mantenimiento
    - 3.2.1 Cuadro
    - 3.2.2 Ruedas/Cubiertas
    - 3.2.3 Dirección
    - 3.2.4 Mecanismo de accionamiento
    - 3.2.5 Piezas de plástico
4. Componentes electrónicos
  - 4.1 Paquete de la batería
    - 4.1.1 Instalación del paquete de la batería
    - 4.1.2 Extracción del paquete de la batería
  - 4.2 Cargador
  - 4.3 Pantalla
    - 4.3.1 Especificaciones
    - 4.3.2 Descripción de funciones
    - 4.3.3 Procedimiento de funcionamiento
  - 4.4 Indicación de autonomía
  - 4.5 Cuidados y eliminación de la batería
5. Garantía
  - 5.1 Periodo de garantía
  - 5.2 Regulación de la garantía



## 1. Advertencias

### 1.1 Advertencias generales

- **WADVERTENCIA:** Este juguete no es apto para niños menores de 6 años debido a su velocidad máxima.
- **ADVERTENCIA:** No utilizar en zonas públicas debido al riesgo de accidentes con otros vehículos, obstáculos, animales y personas.
- Las zonas seguras para su uso son los patios traseros o zonas cercadas con buena visibilidad para el adulto supervisor.
- Requiere supervisión por parte de adultos. Nunca utilizar en vías públicas, cerca de vehículos motorizados, en o cerca de rampas empinadas o escalones, piscinas u otros cuerpos de agua; siempre usar calzado y nunca permitir que monten más de dos personas.
- Los niños deben ser enseñados por adultos antes del primer uso. Tiene que explicarse por completo a los niños el funcionamiento de los pedales y los frenos, así como especialmente la aceleración.
- Los niños (menores de 12 años) sólo podrán usar el producto bajo la supervisión de un adulto.
- Este producto no está autorizado para circular por carreteras públicas.
- No realizar giros bruscos a alta velocidad. El coche podría volcar.
- Tenga cuidado con bufandas, cordones y similares. Podrían engancharse en las piezas móviles del coche y causar un accidente.
- No montar nunca bajo influencia del alcohol, drogas o medicinas que puedan afectar de forma negativa al tiempo de reacción o la capacidad de observación.

### 1.2 Advertencias sobre la batería

- Cargue completamente el paquete de la batería antes de usar el e-gokart por primera vez.
  - Toda batería se agota con el tiempo. Este proceso se denomina "autodescarga". Un paquete de batería sin carga puede alcanzar una descarga profunda debido a la autodescarga en un plazo de dos meses, quedando defectuoso. La garantía quedará anulada en caso de una descarga profunda.
  - No es necesario que esté totalmente descargado el paquete de la batería para cargarlo. El paquete de la batería permanecerá en buen estado si se carga después de cada uso (independientemente de la distancia que se haya desplazado). Una vez que la batería esté completamente cargada, se detiene automáticamente la carga. La luz del cargador sigue encendida en verde.
  - Puede dejar el cargador conectado para su almacenamiento a largo plazo. Si esto no es posible, cargar el paquete de la batería completamente y desconectar el cargador del paquete de la batería. Cargar el paquete de la batería completamente por lo menos una vez cada dos meses.
  - Asegurarse de que el paquete de la batería permanezca dentro de los límites de temperatura indicados a continuación. Esto alarga la vida útil y aumenta el rendimiento del paquete de la batería. Además, la carga o la asistencia eléctrica no funcionarán fuera de los límites de temperatura.
- | Estado  | Mínimo (°C) | Máximo (°C) |
|---|-------------|-------------|
| Mientras se carga                                   | 0           | 45          |
| Durante el uso                                      | -10         | 45          |
| Almacenamiento (al menos el 60% del nivel de carga) | -10         | 35          |
- Cargar siempre el paquete de la batería con el cargador suministrado con el e-Gokart. No utilizar ningún otro cargador.
  - No cargar el paquete de la batería bajo la luz directa del sol.
  - No dejar caer el paquete de la batería. Esto podría dañarlo.
  - Recuerde que el e-Gokart produce menos asistencia a temperaturas más bajas (por debajo de los 10 °C) y que el paquete de la batería se agotará antes.
  - Los grandes cambios de temperatura pueden causar grandes diferencias en la indicación de carga de la batería, especialmente a bajas temperaturas y con una carga baja del paquete de la batería.
  - No abrir la batería, ya que es posible recibir una descarga eléctrica.
  - Mantener la batería alejada de líquidos ácidos y salinos.
  - No operar la batería si presenta daños externos.
  - No cortocircuitar la batería.
  - Mantener la batería alejada del calor y del fuego.

## 1.3 Advertencias sobre el cargador

- No utilizar este cargador para otros productos. Está diseñado solamente para vehículos con batería de ion-litio.
- No conectar el cargador a la red cuando no se utilice.
- Desconectar el cargador de la batería antes de comenzar a montar.
- Asegurarse de que el cargador no se moje.
- No dañar el cargador.
- No operar el cargador si ha recibido un golpe, se ha caído o se ha dañado de alguna manera. Examinar el cargador y la batería antes de cada uso y reemplazar si se observa desgaste o daños.
- El cargador está diseñado para funcionar con energía eléctrica doméstica normal (200-240V o 110V usando el transformador). ¡No intentar utilizar el cargador a ningún otro nivel de tensión eléctrica!
- Nunca modificar ni puentear el sistema eléctrico ya que esto puede resultar en un riesgo de descarga eléctrica, electrocución o fuego.
- Para reducir el riesgo de daños al cargador, tirar del enchufe en vez del cable cuando se retire de una toma de corriente.
- Asegurar que el cable esté tendido de manera que no pueda pisarse, tropezarse con él, sufrir daños o someterse a tensión mecánica.
- No se debe utilizar un cable de extensión a menos que sea absolutamente necesario. El uso de un cable de extensión incorrecto podría ocasionar el riesgo de fuego, descarga eléctrica o electrocución.
- Para evitar una descarga eléctrica, no sumergir el cargador ni la batería en agua durante su limpieza. Para limpiar, retirar el enchufe del cargador/batería de la toma de corriente y limpiar con un paño seco.
- No colocar ningún objeto encima del cargador ni colocar el cargador sobre una superficie blanda que pueda causar un calor excesivo. Colocar el cargador lejos de fuentes de calor.
- Cuando se haya completado la carga, desconectar el cargador de la toma de corriente y de la batería. Colocar la batería y el cargador en un lugar fuera del alcance de los niños.
- Mantener la batería y el cargador en un lugar seco fuera del alcance de los niños.
- No desarmar el cargador ni intentar reparar un cargador dañado. Si el cargador está dañado, póngase en contacto con su distribuidor de Berg.
- Este aparato no está diseñado para ser utilizado por personas con capacidades físicas, sensoriales o mentales reducidas, o falta de experiencia y conocimientos, a menos que una persona responsable de su seguridad les supervise o instruya sobre el uso del aparato.

## 2. Directrices para el usuario

No se podrá responsabilizar a BERG ni al distribuidor del uso indebido de este producto. Lea estas directrices con antelación para un uso adecuado y seguro del producto. BERG no se responsabiliza de ninguna omisión en este manual.

### 2.1 Seguridad

En caso de preguntas o dudas sobre la información, póngase en contacto con su distribuidor local de BERG o con BERG.

### 2.2 Instrucciones de uso

Utilice su producto BERG únicamente de acuerdo con las siguientes instrucciones. Tanto el usuario como el producto podrían sufrir graves daños a causa de cualquier uso no autorizado.

#### 2.2.1 Antes del uso

- Ajuste el asiento y el volante a la posición adecuada para el tamaño del usuario.
- Compruebe que la dirección, los frenos y las ruedas funcionan correctamente y que los tornillos y tuercas están bien apretados.
- Las cubiertas protectoras que se hayan retirado para realizar tareas de mantenimiento, deberán volver a colocarse siempre en su posición original antes de usar el coche.
- Compruebe la presión de los neumáticos y asegúrese de que cumplen con la norma como se muestra en el neumático. Ver mantenimiento.
- La persona adulta es responsable de dar las instrucciones para un uso seguro.
- Instruya al niño sobre cómo usar el freno.

#### 2.2.2 Durante el uso

- El coche se debe conducir a una velocidad adecuada que permita mantener el control sobre el mismo.
- Prestar en todo momento atención al entorno durante el uso.
- Frenar siempre de la forma precrita, haciendo uso del freno de mano/freno contrapedal.
- Conducir siempre en una superficie llana sin obstáculos.
- Se recomienda llevar ropa protectora, aunque no es obligatorio.
- Asegurar que el producto, cuando está aparcado, no pueda salir rodando. Usa el freno de aparcamiento.
- No colocar objetos encima o colgar objetos del volante. Asegurar que el volante funcione correctamente en todo momento.
- Utilizar el freno de pedal pedaleando hacia atrás.
- Para obtener una potencia adicional durante el frenado, utilizar el freno de estacionamiento.

### 2.3 Restricciones de uso

- Este producto no está autorizado para circular por carreteras públicas.
- No se debe ir marcha atrás a demasiada velocidad, pues se puede perder el control del coche.
- Las colisiones y otros trucos incrementan la probabilidad de que los usuarios y el producto sufran daños y no están permitidos.
- Evitar el contacto con las piezas móviles del coche al conducir.
- No subir o bajar del coche cuando este se encuentre en movimiento.
- No sobrecargar el producto. El peso máximo del usuario es 100kg.
- No montar nunca sin luces en un entorno oscuro.
- ¡No tomar curvas cerradas a alta velocidad, existe el riesgo de que el producto se vuelque!
- No se permite usar este producto en cuestas y pendientes. No conducir cuesta arriba o cuesta abajo o en diagonal por una pendiente.

## 3. Mantenimiento

Para usar el producto BERG y disfrutar de él durante mucho tiempo, es necesario realizar algunas tareas de mantenimiento. Este capítulo describe cómo, con qué frecuencia y qué tipo de mantenimiento debe ejecutarse.

### 3.1 Plan de mantenimiento

Diario	Mensual	Semestral	Anual
<b>Ruedas/cubiertas</b> Comprobar el desgaste. Comprobar la presión de los neumáticos y si es necesario, aumentar la presión; haga esto fuera de la luz directa del sol en un lugar fresco.	<b>Cuadro</b> Limpiar y revisar todos los tornillos y tuercas. Comprobar que el cuadro no tiene grietas ni fracturas.  <b>Mecanismo de tracción</b> Comprobar la correcta tensión de la cadena. Engrasar la cadena.  <b>Dirección</b> Comprobar todos los tornillos y tuercas. Lubricar las partes móviles. Limpiar y engrasar las cadenas.	<b>Mecanismo de tracción</b> Comprobar el correcto funcionamiento de rodamientos, cadenas, buje, piñones y ejes.	<b>Piezas de plástico</b> Limpiar las piezas de plástico y comprobar que no hay daños.

### 3.2 Actividades de mantenimiento

En este capítulo se describe cómo, con qué frecuencia y que el mantenimiento debe llevarse a cabo.

#### 3.2.1 Cuadro

- El cuadro lleva un recubrimiento pulverizado o cincado en negro. Para evitar la formación de óxido, es importante limpiar el cuadro con frecuencia. Si desea limpiar el cuadro con grasa, utilice únicamente productos sin ácido. Las partes dañadas se pueden tratar con pintura.
- Comprobar si los tornillos y tuercas tienen óxido y reemplazarlos para evitar que se rompan, pues podrían producirse accidentes.

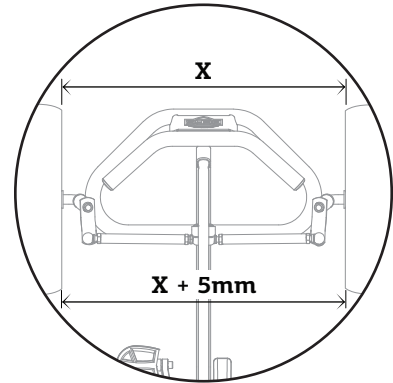
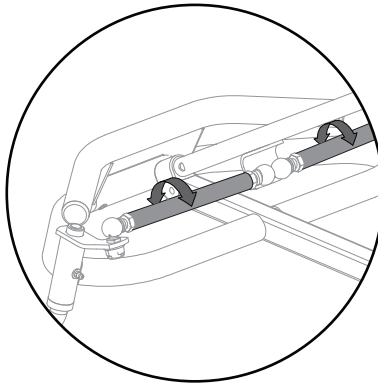
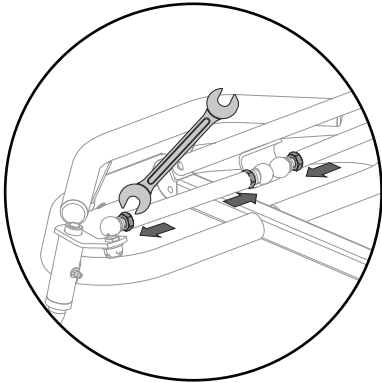
#### 3.2.2 Ruedas/cubiertas

- Comprobar con regularidad que las llantas y las cubiertas no presentan daños (por ejemplo cortes, grietas o bultos). Atención: las llantas y cubiertas dañadas pueden provocar accidentes. Las cubiertas no deben entrar en contacto con aceite, grasa o combustible.
- La presión correcta de las ruedas aparece en la parte exterior de las cubiertas. Si las ruedas tienen la presión correcta, el coche será ligero y fácil de manejar. Si la presión es demasiado baja, existirá mayor riesgo de pinchazo y las ruedas sufrirán mayor desgaste. Si la presión es demasiado alta, la cubierta, por ejemplo, podría desprenderse de la llanta, provocando situaciones peligrosas. Atención: recuerde que la presión de las ruedas aumenta con la exposición al sol y a temperaturas elevadas. Las cubiertas no deben entrar en contacto con aceite, grasa o combustible. Asegúrese de que los tapones de las válvulas están siempre bien apretados.

### 3.2.3 Dirección

El mecanismo de dirección se debe revisar todos los meses para comprobar que no hay:

- daños, óxido, desgaste.
- Deben apretarse todos los tornillos y tuercas.



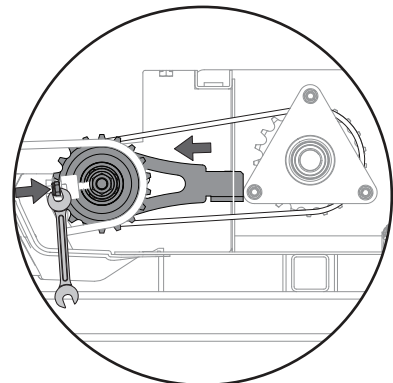
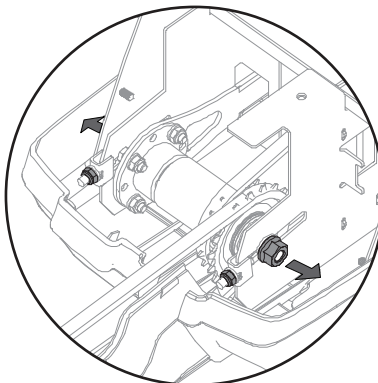
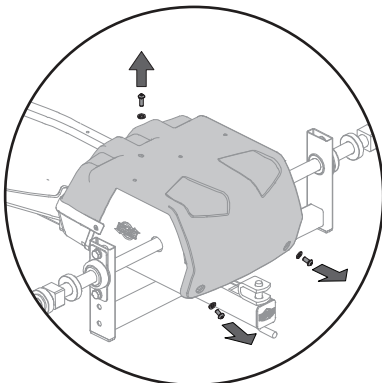
### 3.2.4 Mecanismo de accionamiento

#### Cadena

El coche tiene un mecanismo de tracción con dos cadenas. Asegúrese de que las cadenas están lo bastante engrasadas para deslizarse con facilidad. Si una cadena está demasiado tensa, resultará más difícil pedalear y aumentará la probabilidad de que se produzca un desgaste rápido de, entre otras cosas, la cadena y los piñones. Si una cadena no está lo bastante tensa, podrá salirse fácilmente de los piñones y aumentará el riesgo de que se produzcan daños en la carcasa de la cadena. En caso de que hubiera que tensar ambas cadenas, empiece siempre por la cadena trasera (la más corta).

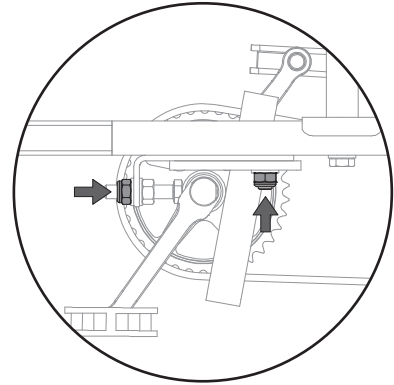
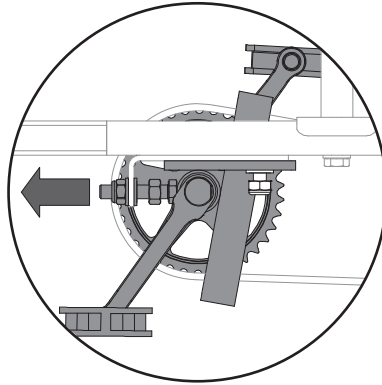
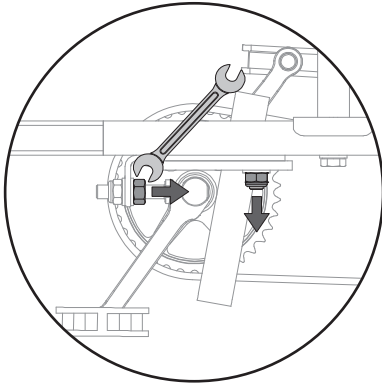
Para tensar la cadena trasera:

- Retire la carcasa protectora.
- Afloje las tuercas del buje.
- Tense la cadena moviendo el buje hacia delante.
- Asegúrese de que el buje queda exactamente en paralelo con el eje trasero.
- Vuelva a apretar las tuercas del buje.
- La cadena tiene la tensión adecuada si se puede empujar hacia abajo 6 milímetros por el centro.
- Vuelva a apretar los cuatro tornillos. Mantenga los piñones en paralelo a la carcasa de la cadena.
- Monte la carcasa cuando la cadena tenga la tensión correcta.
- Para engrasar la cadena y comprobar la tensión de la misma es necesario retirar la carcasa.



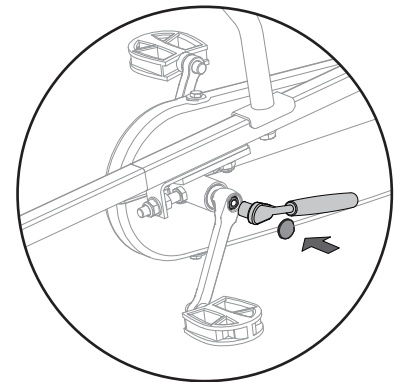
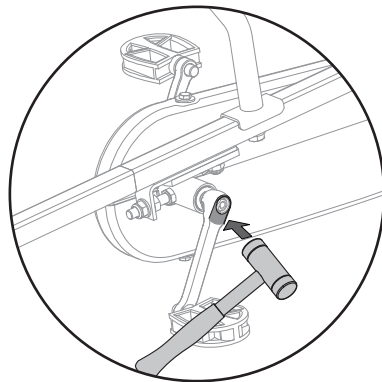
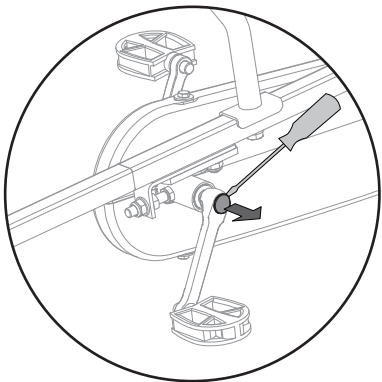
Tensar la cadena frontal:

- Afloje los tornillos del eje de los pedales en la base del cuadro.
- Tense la cadena moviendo el eje de los pedales hacia delante.
- Vuelva a apretar los tornillos. Deberá ser posible empujar la cadena hacia abajo 1 centímetro por el centro. Para comprobarlo, deberá retirar la mitad inferior de la carcasa de la cadena.



### Ajuste de las bielas

Tras usar el nuevo producto durante varios días (uso intensivo) o dos semanas (uso normal) después de la compra, se deben apretar de nuevo los tornillos con los que están montadas las bielas izquierda y derecha (ver ilustración más abajo). Tenga en cuenta que los tornillos se deben apretar "a mano", es decir, con una fuerza máxima de 30 Nm (es normal que tras un breve periodo de uso se asiente el conjunto de las bielas y su eje, como resultado de la fuerza aplicada sobre los pedales). Una consecuencia de no hacer esto regularmente es la aparición de cierta holgura, lo cual puede resultar en daños en las bielas y en el eje de las mismas. Dicha holgura se puede eliminar apretando más los tornillos.



### Piñón libre para el freno

El piñón libre para el freno funciona como freno contrapedal y piñón libre. También se puede pedalear hacia atrás con el piñón libre para el freno. Al menos una vez cada seis meses se deberá controlar la tensión de la cadena del kart de BERG con piñón libre para el freno.

### 3.2.5 Partes de plástico

Comprobar regularmente si las partes de plástico presentan daños roturas.

En caso de roturas, se debe cambiar la parte por una nueva parte original para garantizar la seguridad de usuario.

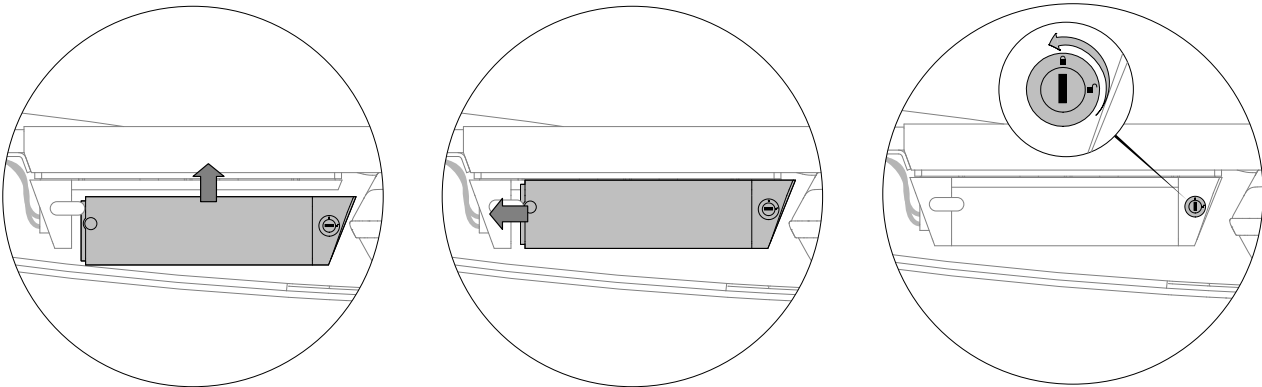
## 4. Componentes electrónicos

### 4.1 Paquete de la batería

#### 4.1.1 Instalación del paquete de la batería

- Introducir la llave en la cerradura
- Asegurarse de que la llave esté en la posición de apertura
- Empujar cuidadosamente el paquete de la batería por el carril guía hasta que la parte trasera se conecte a la parte delantera sin ningún hueco.
- Girar la llave a la posición de cierre.
- Retirar la llave y mantenerla fuera del alcance de los niños.
- Asegurarse de que la tapa de la toma de carga esté cerrada.
- Asegurarse de que el paquete de la batería esté bloqueado tirando del mismo hacia atrás.
- Asegurarse de mantener las llaves en un lugar seguro.
- Si la batería no funciona, comprobar la superficie de contacto entre el paquete de la batería y la base de conexión. Debe estar libre de suciedad y humedad para asegurarse de que el e-Gokart funcione correctamente. Usar un trapo limpio para limpiar si es necesario. Demasiada humedad y suciedad pueden causar problemas de contacto y fallos. Si aún no funciona, póngase en contacto con su distribuidor.

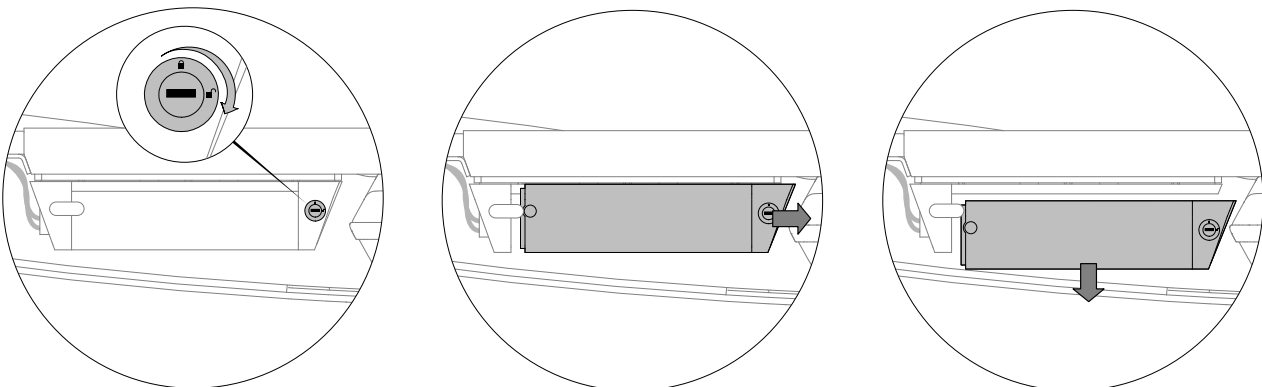
Un paquete de batería correctamente instalado ya no podrá extraerse sin llave.



#### 4.1.2 Extracción del paquete de la batería

- Asegurarse de que la tapa de la toma de carga esté cerrada.
- Insertar la llave en la cerradura.
- Girar la llave a la posición de apertura.
- Retirar el paquete de la batería desplazándolo en primer lugar hacia el cubrecadena trasero y, en segundo lugar, moviéndolo hacia abajo.

Siempre retirar el paquete de la batería con las dos manos para evitar que se caiga.



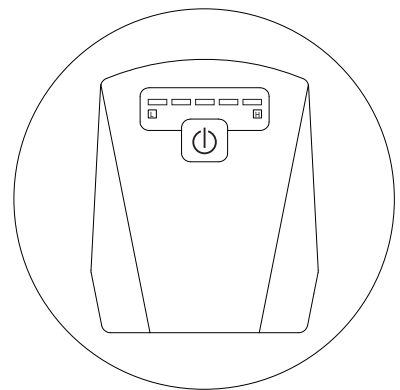
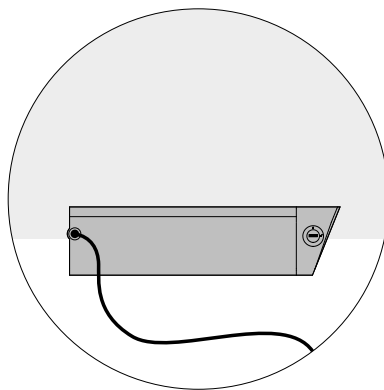
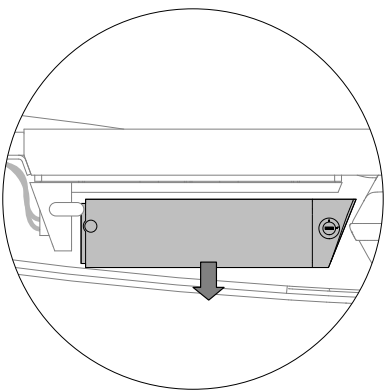
## 4.2 Cargador

El tiempo promedio de carga es de 6 horas (con una batería agotada).

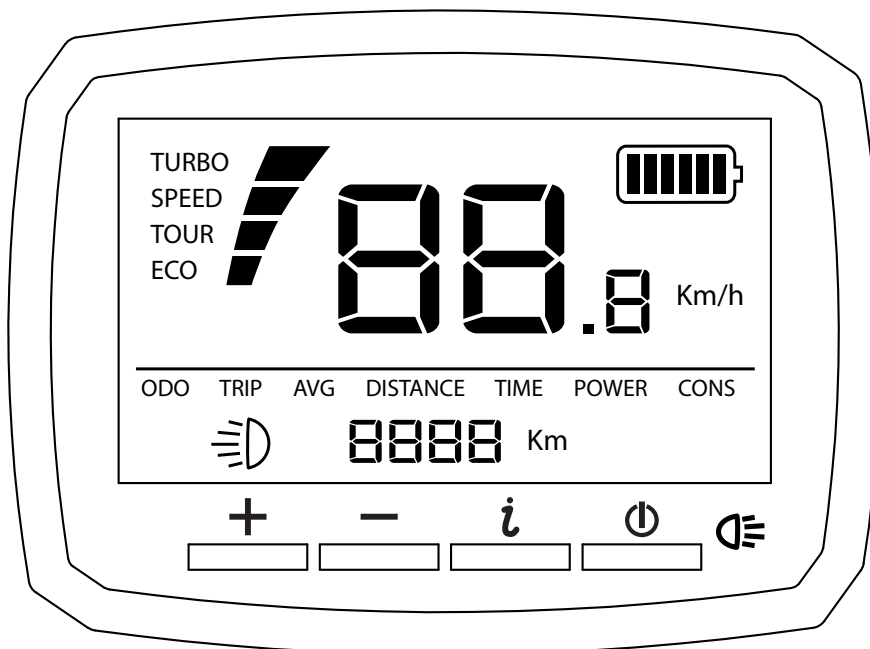
### Carga del paquete de la batería

- Solo un adulto debe utilizar el cargador de batería.
- Comprobar que el cable principal está conectado al cargador.
- Conectar el cargador a la red eléctrica. La luz indicadora verde se encenderá.
- Conectar la clavija al punto de carga de la batería.
- Al oprimir el botón de apagado, las luces LED del paquete de la batería indicarán la carga de la batería. Cada LED verde representa un 25%.
- Cuando el cargador tiene la luz verde encendida, el paquete de la batería está completamente cargado

La batería solo se puede cargar fuera del coche de pedales.



## 4.3 Pantalla



### 4.3.1 Especificaciones

Tipo:	VLCD-5
Tensión de funcionamiento:	DC11V-60V
Corriente de funcionamiento máxima:	70mA(11V) 32mA(50V)
Brillo de retroalimentación:	200cd/m <sup>2</sup>



## 4.3.2 Descripción de funciones

- Indicador de velocidad  
Indica la velocidad actual
- Indicador de consumo  
Seis bloques horizontales indican el nivel de energía de la batería (cada bloque representa el 16 por ciento de la energía eléctrica), parpadeando si hay que recordar que debe cargarse la batería.
- Distancia parcial recorrida (se pone a cero tras cada apagado)  
Indica la distancia recorrida desde el encendido.
- Odómetro (ODO)  
Indica la distancia total.
- Velocidad media (AVG)  
Indica la velocidad media.
- Asistencia eléctrica  
Indica la asistencia eléctrica 4 niveles de asistencia eléctrica ajustables.
- Retroiluminación de la pantalla  
Cambiar entre 2 niveles de brillo; el predeterminado es la retroiluminación apagada.

## 4.3.3 Procedimiento de funcionamiento

### Definición de botón

- + Más/más alto
- − Menos/más bajo
- ⌵ Menú
- ⏻ Encendido/apagado y retroiluminación

⏻ Presionar este botón para encender, presionar este botón durante 2 segundos para apagar. El sistema se apaga automáticamente si no se hace ninguna operación en 5 minutos.

+ / − Hay 4 niveles de asistencia eléctrica (Eco, Tour, Speed and Turbo). Presione estos botones para ajustar la asistencia eléctrica de baja a alta.

⌵ Hay 4 páginas de modo (odómetro, distancia parcial recorrida, velocidad media, tiempo en una dirección). Pulse este botón para ajustar el modo.

### Funciones básicas

- Utilice el botón ⏻ para encender la retroiluminación cuando el coche esté encendido
- En el menú de distancia parcial recorrida (TRIP), presione el botón ⌵ durante 2 segundos para poner a cero el contador y el tiempo.
- En la velocidad media (AVG) del menú se indica la velocidad media (velocidad media = distancia parcial / tiempo en movimiento)
- En el tiempo de movimiento (TIME) se indica el tiempo del recorrido parcial.

### Códigos de error

Error	Tipo de error	Resolución
ERR-01	Fallo del sensor	Comuníquese con su distribuidor local
ERR-02	Avería del sensor Hall o cortocircuito del motor	Reiniciar con el botón ⏻
ERR-03	Fallo del controlador	Comuníquese con su distribuidor local
ERR-05	Alarma de baja energía	Cargar la batería
ERR-06	Pies del ciclista en el pedal al arrancar	Reiniciar sin los pies en el pedal

## 4.4 Indicación de autonomía

La autonomía depende de los siguientes factores:

- Capacidad (Ah) y tensión (V) del paquete de la batería.
- Nivel de asistencia al pedal
- Modo de asistencia al pedal o programa de asistencia.
- Temperatura ambiente
- Fuerza del viento
- Presión de los neumáticos
- Velocidad de desplazamiento
- Peso del piloto y la carga
- Estilo de marcha
- Condiciones viales
- Uso de las marchas
- La autonomía disminuirá perceptiblemente a medida que el paquete de la batería envejece.

## 4.5 Cuidados y eliminación de la batería

### Cuidado

- Si se produce una fuga de la batería, evitar el contacto con el ácido que gotea e introducir la batería dañada en una bolsa sellada de plástico.
- Si el ácido entra en contacto con la piel o los ojos, enjuagar con agua fría durante al menos 15 minutos y llamar a un médico inmediatamente.
- Cargar una batería nueva al menos durante 12 horas antes de usarla por primera vez.
- Sobrecargar o subcargar la batería puede acortar su duración y disminuir el tiempo de funcionamiento del vehículo.
- Cargar la batería después de cada uso, independientemente del tiempo que se haya utilizado el vehículo.
- No permitir que la batería se agote por completo antes de cargarla.
- Cargar la batería antes de almacenar el vehículo.
- Cargar la batería al menos durante 3 horas cada 3 meses cuando no esté en uso.
- Dejar la batería descargada la estropeará.
- Si el vehículo se almacena durante más de dos meses, asegúrese de desconectar el arnés del motor de la batería.
- Evitar que la batería se mueva libremente dentro del compartimento de la batería.
- Examinar la batería, el cargador y su conector en cuanto a un desgaste excesivo o daños cada vez que se cargue la batería. Si se detectan daños, no usar el cargador ni la batería hasta que se haya sustituido la pieza desgastada o dañada.
- Recordar retirar una batería agotada del vehículo.
- Una fuga de la batería y la corrosión pueden dañar el vehículo.
- No limpiar la batería con agua a alta presión.
- Retirar la batería del vehículo cuando no esté en uso.

### Eliminación de la batería y el cargador



- Reciclar la batería y el cargador de una manera respetuosa con el medio ambiente.
- No desechar la batería quemándola ya que la batería puede incendiarse o explotar.
- No desechar la batería en la basura doméstica normal. Se prohíbe su incineración, vertido o mezcla con la basura doméstica.
- Llevar toda batería deteriorada a un reciclador reconocido. Consultar a las autoridades locales de gestión de residuos para obtener otra información sobre la recolección, el reciclaje y la eliminación de baterías de manera ecológicamente racional.

## 5. Garantía

### 5.1 Periodo de garantía

El propietario de este producto BERG dispone de las siguientes garantías sobre este producto:

- Durante 2 año(s) tras la fecha que figura en la factura sobre el cuadro.
- Durante 1 año(s) tras la fecha que figura en la factura sobre las demás partes.
- Sobre las partes expuestas al desgaste (como la cadena y los neumáticos) no se ofrece ninguna garantía.
- Compruebe [www.bergtoys.com](http://www.bergtoys.com) para las regulaciones de warranty extensas.

### 5.2 Reglamento de garantía

"El propietario de este producto sólo puede reclamar la garantía presentando la factura original. La garantía se refiere únicamente a defectos de material y construcción en relación con este producto y las partes. La garantía queda sin efecto si:

- Este producto ha sido utilizado de forma incorrecta y/o negligente.
- El uso no es conforme al fin.
- El montaje y el mantenimiento de este producto no se han realizado conforme al folleto de instrucciones.
- Las reparaciones técnicas de este producto no se han realizado profesionalmente.
- Posteriormente, se han montado partes que no se corresponden con las especificaciones técnicas del producto en cuestión, o no han sido montadas correctamente.
- Las piezas añadidas o sustituidas posteriormente no comprenden piezas o accesorios oficiales de BERG.
- Los defectos son el efecto de influencias climáticas, como la oxidación o las alteraciones normales por exposición de la laca a la intemperie.
- El producto se utiliza para el alquiler o se encuentra a disposición de otra manera de múltiples personas sin especificar.
- La batería, la pantalla o el cargador se encuentran abiertos.

BERG no puede ser responsabilizado en ningún caso por daños en (partes d)el producto como consecuencia de:

- Un ajuste/tensión incorrectos del volante, el mecanismo de dirección, la cadena, los neumáticos y el buje con cambio integrado.
- El no cambiar a tiempo las partes expuestas al desgaste, como la cadena y los neumáticos.

Durante el periodo de garantía, todos los defectos de material o construcción constatados por BERG, serán reparados o serán sustituidos, ello a elección de BERG.

El propietario del producto sólo puede reclamar bajo esta garantía mediante la devolución, a la empresa donde compró el producto. Además de la reclamación, facilitar el número de serie del producto y el recibo de compra original. Puede encontrar el número de serie en el bastidor del producto.

Si la solicitud de garantía es rechazada, todos los gastos incurridos serán por cuenta del propietario del producto.

Esta garantía no es transferible a terceros.

## Introduzione

Congratulazioni per avere scelto un prodotto BERG.

BERG progetta e produce prodotti robusti e sicuri. La vostra scelta per un prodotto BERG significa che avete scelto un prodotto che vi darà anni di divertimento. A causa del continuo sviluppo dei nostri prodotti ci riserviamo il diritto di modificare le specifiche del prodotto senza alcun preavviso.

Legga attentamente le presenti istruzioni per la sicurezza e la manutenzione.

Il prodotto BERG ha una lunga durata, ma ha bisogno di manutenzione di tanto in tanto. Troverete le istruzioni per la manutenzione nel manuale per l'utente. Rispettare queste indicazioni permetterà di preservare il giocattolo negli anni.

Visitate il nostro sito [www.bergtoys.com](http://www.bergtoys.com) per saperne di più su BERG e guardate i nostri prodotti ed accessori. Siete invitati ad inviare una mail a BERG, con le vostre proposte di miglioramento e altre esperienze. È possibile inviare il tutto a [info@bergtoys.com](mailto:info@bergtoys.com).

## Indice

1. Avvertenze
  - 1.1 Avvertenze generali
  - 1.2 Avvertenze relative alla batteria
  - 1.3 Avvertenze relative al caricabatteria
2. Manuale d'istruzioni
  - 2.1 Sicurezza
  - 2.2 Istruzioni per l'uso
    - 2.2.1 Prima dell'uso
    - 2.2.2 Durante l'uso
  - 2.3 Restrizioni per l'uso
3. Manutenzione
  - 3.1 Schema di manutenzione
  - 3.2 Attività di manutenzione
    - 3.2.1 Struttura
    - 3.2.2 Ruote/Pneumatici
    - 3.2.3 Sterzo
    - 3.2.4 Meccanismo di guida
    - 3.2.5 Parti in plastica
4. Componenti elettronici
  - 4.1 Pacco batteria
    - 4.1.1 Installazione del pacco batteria
    - 4.1.2 Distacco del pacco batteria
  - 4.2 Caricabatteria
  - 4.3 Display
    - 4.3.1 Caratteristiche
    - 4.3.2 Descrizione delle funzioni
    - 4.3.3 Procedura di funzionamento
  - 4.4 Indicazione di autonomia
  - 4.5 Manutenzione e smaltimento della batteria
5. Garanzia
  - 5.1 Periodo di garanzia
  - 5.2 Regolamento

## 1. Avvertenze

### 1.1 Avvertenze generali

- **AVVERTENZA.** Questo giocattolo è inadatto a bambini di età inferiore a 6 anni a causa dell'elevata velocità massima che può raggiungere.
- **AVVERTENZA.** Non utilizzare in aree pubbliche in considerazione del possibile rischio di incidenti con altri veicoli, presenza di ostacoli, animali e persone.
- Si considerano aree sicure di utilizzo cortili o spazi chiusi, che garantiscano una buona visibilità per l'adulto responsabile della sorveglianza.
- È richiesta la supervisione di un adulto. È tassativamente proibito l'utilizzo su strade, in prossimità di veicoli a motore, su o in prossimità di pendii o gradini, piscine o altri specchi d'acqua; indossare sempre scarpe e non consentire l'utilizzo contemporaneo di più di 2 persone
- Gli adulti devono istruire i bambini prima del primo utilizzo. Con particolare riguardo all'accelerazione, il funzionamento dei pedali e dei freni deve essere chiaramente spiegato al bambino.
- I bambini (die età inferiore a 12 anni) sono autorizzati a utilizzare il prodotto soltanto sotto la supervsione di un adulto.
- Questo prodotto non può essere utilizzato su strade pubbliche.
- Non girare velocemente durante la guida ad alta velocità. Il go-kart può ribaltarsi!
- Attenzione a pezzi di abbigliamento penzoloni come sciarpe e lacci delle scarpe. Questi possono impigliarsi nelle parti in movimento, che possono portare a incidenti.
- Non guidare mai se si è sotto l'effetto di alcool, droghe o medicine che possono influenzare negativamente il tempo di reazione o lo spirito di osservazione.

### 1.2 Avvertenze relative alla batteria

- Caricare completamente la batteria prima del primo utilizzo del go-kart elettrico.
  - Le batterie sono soggette a progressivo decadimento nel tempo. Questo processo è denominato 'autoscarica'. Un pacco batteria esaurito e non ricaricato può raggiungere entro due mesi uno stato di scarica completa dovuta all'autoscarica, con conseguente danneggiamento. In caso di scarica completa, la garanzia perde di validità.
  - Prima di procedere alla ricarica, il pacco batteria non deve necessariamente essere del tutto esaurito. Per preservare il pacco batteria in buone condizioni, effettuarne la ricarica dopo ogni utilizzo (indipendentemente dalla distanza percorsa). Quando la batteria è completamente carica, la ricarica si arresta automaticamente. La spia verde del caricabatterie rimane accesa.
  - Per l'immagazzinamento a lungo termine, è possibile lasciare il caricabatterie collegato. Se questo non è possibile, ricaricare completamente il pacco batteria e scollegare il caricabatteria. Caricare completamente il pacco batteria almeno ogni due mesi.
  - Assicurarsi che il pacco batteria rimanga entro i limiti di temperatura indicati di seguito. In questo modo si prolunga la durata e si ottimizzano le prestazioni della batteria. Inoltre, la funzione di ricarica o di potenza di assistenza non funziona al di fuori dei limiti di temperatura.
- | Stato  | Minimo (°C) | Massimo (°C) |
|--|-------------|--------------|
| Durante la ricarica                                    | 0           | 45           |
| Durante l'uso  | -10         | 45           |
| Immagazzinamento (almeno il 60% del livello di carica) | -10         | 35           |
- ACaricare sempre il pacco batteria utilizzando il caricabatterie fornito a corredo del go-kart elettrico. Non utilizzare altri tipi di caricabatterie.
  - Non caricare il pacco batteria alla luce diretta del sole.
  - Non lasciar cadere il pacco batteria, onde evitare di danneggiarlo.
  - Si ricorda che il go-kart elettrico produce meno servoassistenza a temperature inferiori (al di sotto di 10 °C) e che la batteria si esaurisce più rapidamente.
  - Significative variazioni di temperatura possono causare notevoli differenze nell'indicazione di carica della batteria, particolarmente alle basse temperature e con un basso livello di carica del pacco batteria.
  - Non aprire la batteria, onde evitare il rischio di scariche elettriche.

- Tenere la batteria lontana da sale e liquidi acidi.
- In presenza di danni esterni, non azionare la batteria.
- Non mettere in cortocircuito la batteria.
- Tenere la batteria lontana da fonti di calore e fiamme libere.

### 1.3 Avvertenze relative al caricabatteria

- Non utilizzare questo caricabatteria per eventuali altri prodotti. Esso è destinato esclusivamente ai veicoli alimentati con batterie agli ioni di litio.
- Se non utilizzato, non collegare il caricabatterie alla tensione di rete.
- Scollegare il caricabatteria dalla batteria prima di iniziare la guida.
- Assicurarsi che il caricabatteria non si bagni.
- Non danneggiare il caricabatteria.
- Non utilizzare il caricabatterie se ha subito urti, se è caduto o è stato in alcun modo danneggiato. Esaminare il caricabatteria e la batteria prima di ogni utilizzo e procedere alla sostituzione, se si riscontrano tracce di usura o di danneggiamento.
- Il caricabatterie è progettato per funzionare con la corrente elettrica domestica standard (200-240V o 110V con convertitore di tensione). Non tentare di utilizzare il caricabatteria con qualsiasi altro livello di tensione!
- È tassativamente proibito modificare e/o bypassare l'impianto elettrico onde evitare il rischio di folgorazione, scosse elettriche o incendio.
- Per ridurre il rischio di danneggiare il caricabatteria, quando si scollega la presa esercitare una lieve trazione agendo sul connettore anziché sul cavo.
- Verificare che il cavo sia posizionato in modo tale che non possa essere calpestato, fungere da inciampo o altrimenti danneggiato o sottoposto a sollecitazioni di altro genere.
- Non utilizzare alcuna prolunga, se non assolutamente necessario. L'utilizzo di una prolunga inadeguata può comportare il rischio di incendio, scariche elettriche o folgorazione.
- Per evitare il rischio di scariche elettriche, non immergere il caricabatteria o la batteria in acqua durante la pulizia. Per la pulizia, scollegare il caricabatteria/connettore della batteria dalla presa di corrente e pulire con un panno asciutto.
- Non collocare alcun oggetto sulla parte superiore del caricabatterie, né posizionare quest'ultimo su una superficie morbida che possa sviluppare un calore eccessivo. Sistemare il caricabatterie lontano da fonti di calore.
- A ricarica completata, scollegare il caricabatterie dalla presa a muro e dalla batteria. Sistemare la batteria ed il caricabatterie in un luogo fuori dalla portata dei bambini.
- Conservare la batteria ed il caricabatterie in un luogo asciutto e fuori dalla portata dei bambini.
- Non smontare il caricabatterie o tentare di riparare un caricabatterie danneggiato. Se il caricabatteria è danneggiato, rivolgersi al rivenditore Berg.
- Questo apparecchio non è destinato a persone con limitate capacità fisiche, sensoriali e mentali o che non dispongano dell'esperienza e della conoscenza necessarie, a meno che l'uso avvenga sotto la supervisione di una persona responsabile della loro sicurezza e che impartisca loro istruzioni sulle modalità di utilizzo del dispositivo.

## 2. Manuale d'istruzioni

BERG o il rivenditore non possono essere ritenuti responsabili per l'uso improprio di questo prodotto. Leggere queste linee guida prima di utilizzarle correttamente ed usare in modo sicuro questo prodotto. BERG non può essere ritenuta responsabile di eventuali omissioni in questo manuale.

### 2.1 Sicurezza

Per eventuali domande o dubbi relativi alle infomzioni, si prega di mettersi in contatto con il rivenditore autorizzato BERG o con BERG.

### 2.2 Istruzioni per l'uso

Utilizzare il prodotto BERG solo come descritto di seguito. Qualsiasi utilizzo non autorizzato potrebbe causare lesioni serie per l'utente o danni al prodotto.

#### 2.2.1 Prima dell'uso

- Regolare il sedile e il volante nella posizione corretta, a seconda delle dimensioni degli utenti.
- Assicurarsi che lo sterzo, freni e pneumatici funzionino correttamente e i bulloni e i dadi siano fissati.
- Le coperture di protezione, che sono state rimosse per la manutenzione, devono sempre essere messe di nuovo nello stato originale, prima dell'uso.
- Controllare la pressione dei pneumatici e assicurarsi che soddisfi la norma, come indicato sul pneumatico stesso. Vedi manuale di manutenzione.
- L'adulto è responsabile di fornire istruzioni per un utilizzo sicuro.
- Istruisci il bambino su come utilizzare il freno.

#### 2.2.2 Durante l'uso

- Guidare ad una velocità adeguata in cui si abbia il controllo.
- prestare sempre attenzione all'ambiente circostante durante l'uso.
- Frenare sempre come prescritto utilizzando il freno a mano/ il contropedale.
- Prestare attenzione alle parti di indumenti pendenti, come cordini, sciarpe, lacci slegati e affini. Essi possono rimanere incastrati nelle parti in movimento, provocando incidenti.
- L'uso di indumenti di protezione non è obbligatorio, ma è consigliato.
- Accertarsi che il prodotto non possa rotolare via quando è parcheggiato. Utilizzare il freno di stazionamento per questo.
- Non installare oggetti sullo sterzo. Accertarsi che lo sterzo funzioni sempre correttamente.
- Azionare il freno a contropedalata, pedalando all'indietro.
- Per una maggiore potenza di frenata, utilizzare il freno di stazionamento.

### 2.3 Prescrizioni per l'uso

- Questo prodotto non può essere utilizzato su strade pubbliche.
- Non guidare all'indietro a grande velocità. Facendo questo si potrebbe perdere il controllo.
- Le collisioni o altre acrobazie non sono ammesse e possono aumentare il rischio di lesioni per gli utenti e di danni per il prodotto.
- Evitare il contatto con parti in movimento durante la guida del prodotto.
- Non salire o scendere dal prodotto mentre è in movimento
- Non sovraccaricare il prodotto. Il peso massimo dell'utente deve essere da 100kg.
- Non guidare mai al buio senza luci
- Non compiere curve strette ad alta velocità; il prodotto potrebbe ribaltarsi!
- Non è ammesso utilizzare questo prodotto in zone collinari e in pendenza. Non viaggiare in salita o in discesa o obliquamente in pendenza.

## 3. Manutenzione

Alcune manutenzioni sono necessarie per utilizzare il prodotto BERG e divertirsi con esso per molto tempo. Questo capitolo descrive come, con quale frequenza e come la manutenzione deve essere effettuata.

### 3.1 Schema di manutenzione

Giornaliero	Mensile	Semestrale	Annuale
<b>Ruote/Pneumatici</b> Controllare l'usura. Controllare la pressione di gonfiaggio degli pneumatici e, se necessario, aumentarla; eseguire questa operazione lontano dalla luce diretta del sole ed in un luogo fresco.	<b>Struttura</b> Pulire e controllare tutti i dadi e bulloni. Controllare la struttura per eventuali crepe e rotture.  <b>Meccanismo di azionamento</b> Controllare la catena per la tensione corretta. Ingrassaggio catena.  <b>Sterzo</b> Controllare tutti i dadi e bulloni. Lubrificare le parti mobili. Pulire e lubrificare le catene.	<b>Meccanismo di azionamento</b> Verificare il corretto funzionamento dei cuscinetti, della catena, del perno, dei pignoni e degli assi.	<b>Parti in plastica</b> Pulire le parti in plastica e verificare i danni.

### 3.2 Attività di manutenzione

Questo capitolo descrive come, con quale frequenza, e che la manutenzione deve essere effettuata.

#### 3.2.1 Struttura

- La struttura è verniciata a polvere o zincata di nero. Per evitare la ruggine che si forma, è importante pulire regolarmente il freno. Se si desidera conservare la struttura con il grasso, utilizzare solo sostanze senza acido. Si possono trattare le aree danneggiate con vernice.
- Controllare i bulloni e i dadi e, in presenza di ruggine, sostituirli, per impedire una rottura che potrebbe causare lesioni.

#### 3.2.2 Ruote/pneumatici

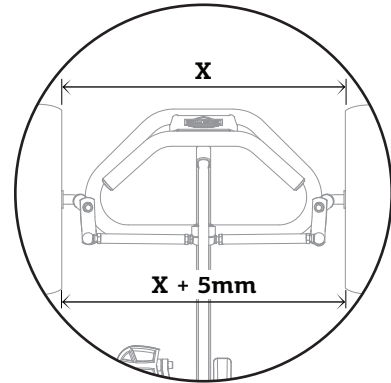
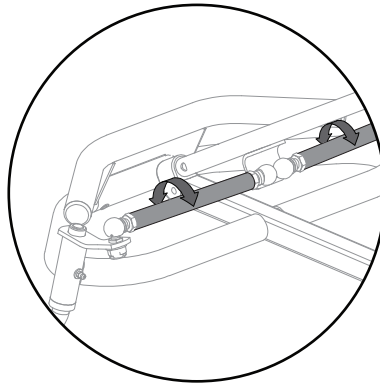
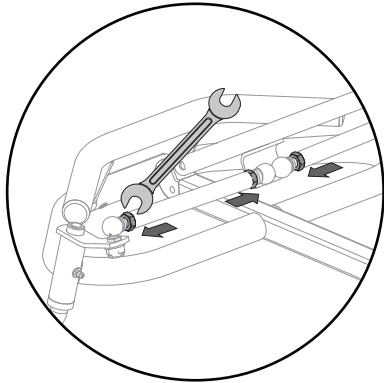
- Controllare regolarmente i cerchioni e gli pneumatici per eventuali danni (per esempio tagli, fessure e rigonfiamenti). Attenzione: cerchioni e pneumatici danneggiati possono causare incidenti! Gli pneumatici non devono entrare in contatto con olio, grasso o combustibile.
- La corretta pressione degli pneumatici è indicata sulla parte esterna del pneumatico. Se gli pneumatici sono a giusta pressione il prodotto sarà leggero e maneggevole. Se la pressione delle gomme è troppo bassa, esse subiranno una eccessiva usura. Se la pressione è troppo elevata, lo pneumatico può per esempio venire sciolto dal cerchione, causando situazioni pericolose. Attenzione: ricordate che in pieno sole e a temperature elevate aumenta la pressione degli pneumatici! I pneumatici non devono entrare in contatto con olio, grasso o combustibile. Assicurarsi che i cappucci delle valvole siano sempre presenti sulle valvole.



### 3.2.3 Sterzo

Il dispositivo dello sterzo deve essere controllato ogni mese per i seguenti motivi a seguire:

- Danni, ruggine, usura.
- Tutti i dadi e i bulloni devono essere serrati.



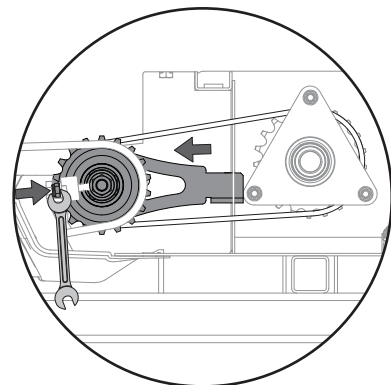
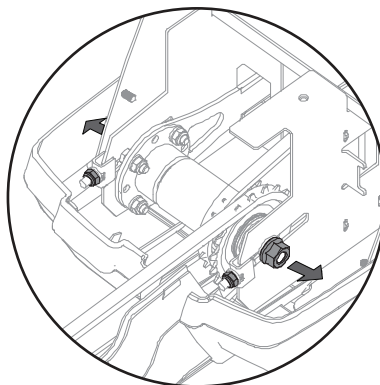
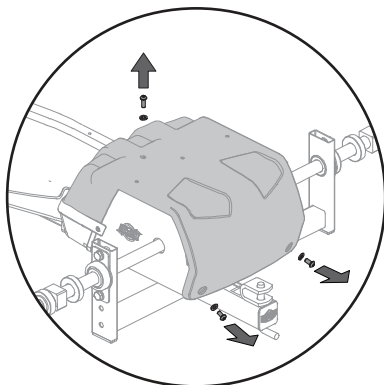
### 3.2.4 Meccanismo di guida

#### Catena

Il go-kart ha un meccanismo di azionamento con due catene. Assicursi che le catene siano sufficientemente oliate in modo che possano scorrere liberamente. Se una catena è troppo stretta in tensione, il prodotto presenterà difficoltà nella pedalata e vi sarà una grande probabilità che l'usura della catena e del pignone, tra le altre cose, si verificherà più velocemente. Se una catena non sarà abbastanza stretta, la catena potrà facilmente uscire dalla corona dentata o vi sarà la possibilità di danneggiamento dell'alloggiamento della catena. Nel caso in cui necessiti mettere in tensione entrambe le catene, iniziare sempre con la filiera corta/posteriore.

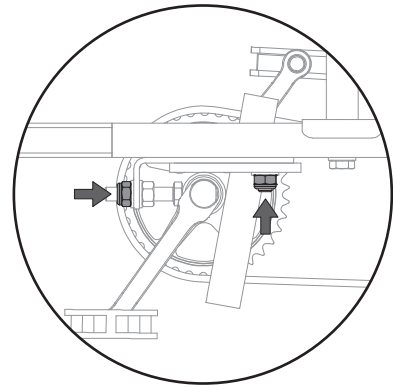
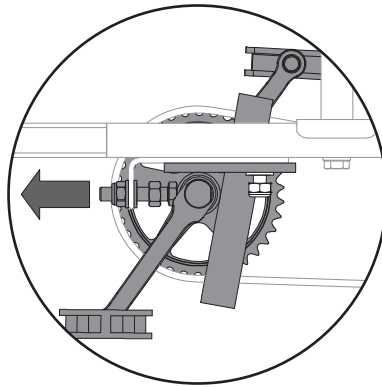
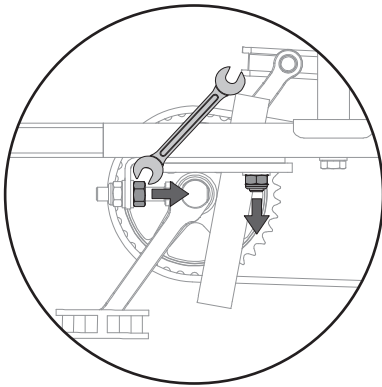
Per tendere la catena posteriore:

- Rimuovere il cappuccio protettivo.
- Allentare i dadi del perno.
- Tendere la catena spostando in avanti il perno del pedale e tenerlo stretto.
- Assicursi che il perno rimanga esattamente parallelo all'asse posteriore.
- Stringere di nuovo i dadi del perno.
- La catena ha la tensione corretta se nella parte centrale possa essere spinta verso il basso di 6 millimetri.
- Stringere di nuovo i quattro bulloni. Tenere la ruota dentata parallela alla protezione della catena.
- Montare la protezione della catena quando la catena ha la giusta tensione.
- La protezione della catena deve essere rimossa per ungere la catena e controllare la sua tensione.



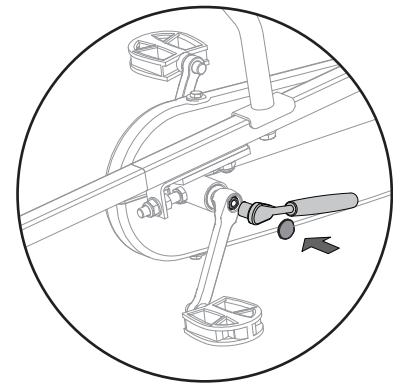
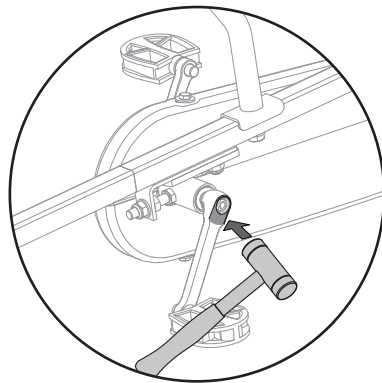
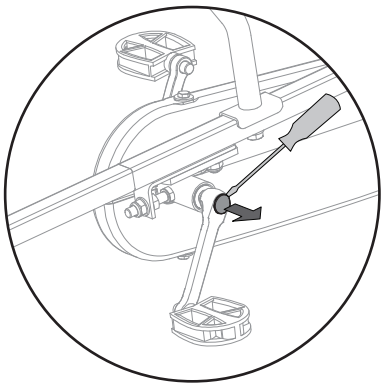
Tendere la catena anteriore:

- Allentare i bulloni della manovella nella parte inferiore della struttura.
- Tendere la catena spostando in avanti il perno del pedale e tenerlo stretto.
- Serrare di nuovo i bulloni. Deve essere possibile spingere il centro della catena verso il basso di 1 centimetro. Per controllare questo è necessario rimuovere la parte inferiore della custodia della catena.



### Regolazione della manovella

Dopo aver utilizzato il nuovo prodotto per diversi giorni (uso intensivo) o per un massimo di due settimane (uso normale) dopo l'acquisto, i bulloni di montaggio delle manovelle sinistra e destra devono essere montati e serrati di nuovo (vedi figura in basso). Si noti che devono essere 'serrati a mano', vale a dire con un atto di serraggio di 30Nm al massimo (con effetto normale, dopo un breve periodo di utilizzo, come risultato della forza applicata ai pedali, la manovella si adatta). Quando ciò non avviene regolarmente, si può produrre l'effetto di arrecare danno alla manovella centrale. Questo rischio può essere evitato serrando ulteriormente i bulloni.



### Mozzo a contropedale

Il mozzo a contropedale permette la frenata con contropedale e ha una funzione con mozzo libero. Il mozzo a contropedale permette anche di pedalare a marcia indietro. La tensione della catena del gokart BERG con mozzo a contropedale deve essere controllata ogni sei mesi.

### 3.2.5 Componenti in Plastica

I componenti in plastica devono essere controllati regolarmente per verificare che non siano presenti danni e rotture. In caso di rotture, sostituire il componente con un componente originale nuovo per garantire la sicurezza dell'utente.

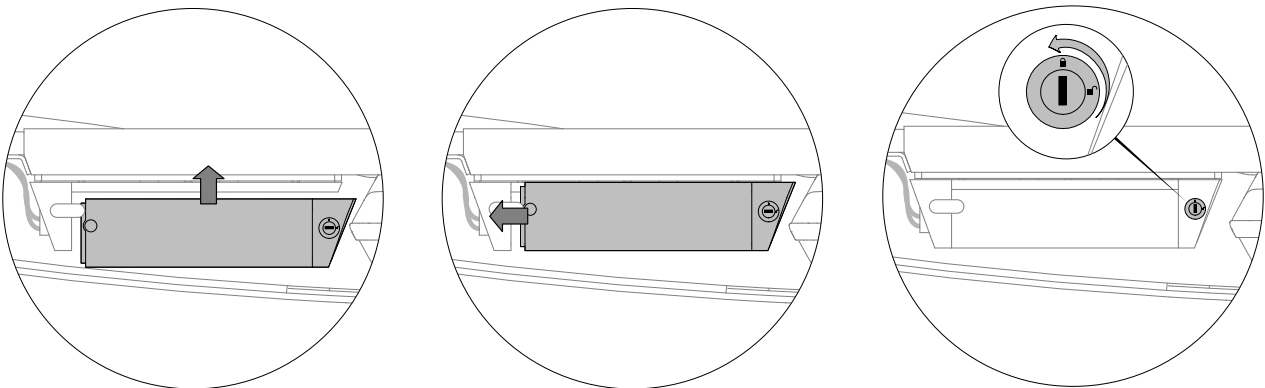
## 4. Componenti elettronici

### 4.1 Pacco batteria

#### 4.1.1 Installazione del pacco batteria

- Inserire la chiave nella serratura
- Accertarsi che la chiave sia in posizione di sblocco
- Sospingere con cautela il pacco batteria lungo la guida di scorrimento fino a portare il lato posteriore perfettamente a battuta contro il lato anteriore, senza lasciare alcuna luce.
- Ruotare la chiave in posizione di blocco.
- Estrarre la chiave e sistemarla fuori della portata dei bambini.
- Verificare che il coperchio della presa di ricarica sia chiuso.
- Accertarsi che il pacco batteria sia bloccato in posizione esercitando su di esso una lieve trazione all'indietro.
- Conservare le chiavi in un luogo sicuro.
- Se la batteria non funziona, controllare la superficie di contatto tra il pacco batteria e la docking station, che deve essere priva di sporcizia e umidità per garantire il corretto funzionamento del go-kart elettrico. Se necessario, utilizzare un panno pulito. Umidità e sporcizia possono provocare problemi di contatto e/o guasti. In caso di mancato funzionamento prolungato, contattare il rivenditore di zona.

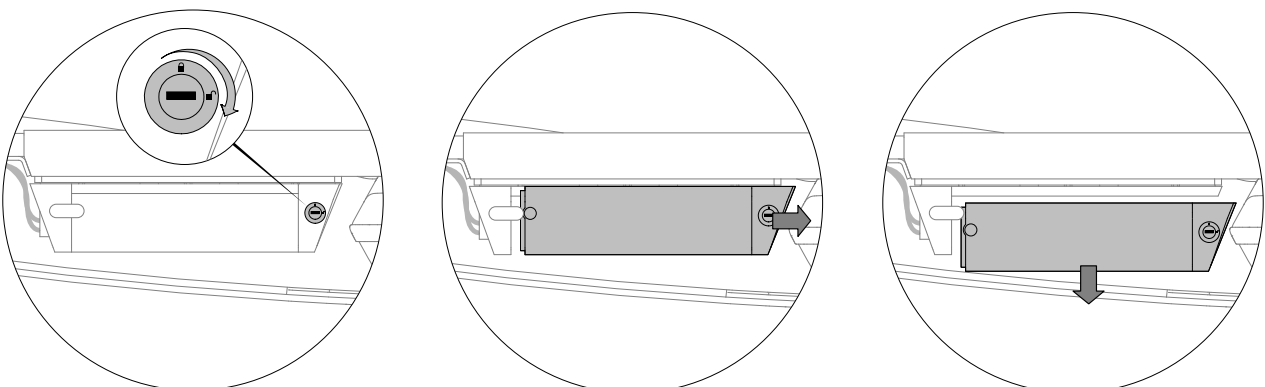
Un pacco batteria installato correttamente non può più essere rimosso senza apposita chiave.



#### 4.1.2 Distacco del pacco batteria

- Verificare che il coperchio della presa di ricarica sia chiuso.
- Inserire la chiave nella serratura.
- Ruotare la chiave in posizione di sblocco.
- Staccare il pacco batteria facendolo scorrere dapprima verso il copricatena posteriore e quindi verso il basso.

Eseguire il distacco del pacco batteria utilizzando sempre 2 mani per evitare che possa cadere.

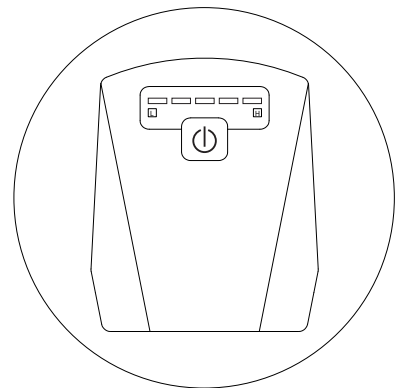
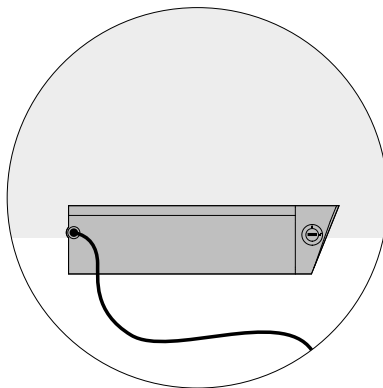
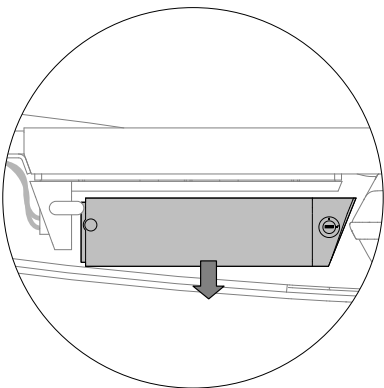


## 4.2 Caricabatteria

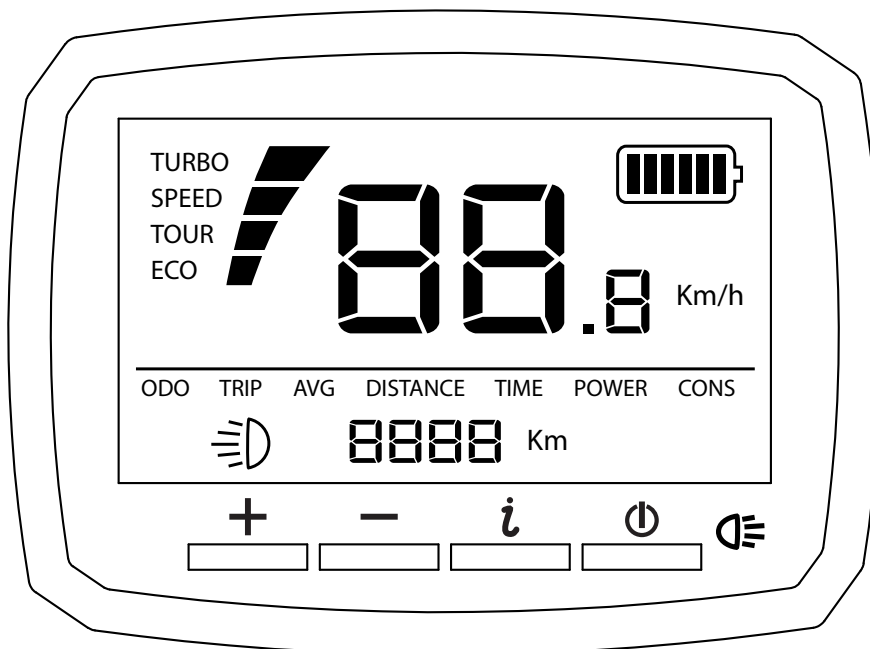
Il tempo medio di ricarica è di 6 ore (con batteria scarica).

### Ricarica del pacco batteria

- Il caricabatteria deve essere utilizzato esclusivamente da persone adulte.
- Verificare che il cavo di alimentazione sia collegato al caricabatteria.
- Collegare il caricabatteria alla tensione di rete. La spia verde si illumina.
- Collegare la spina al punto di ricarica della batteria.
- Quando si preme il pulsante di spegnimento, i LED presenti sul pacco batteria visualizzano il livello di carica della batteria. Ogni LED verde rappresenta il 25%.
- Quando il caricabatteria mostra una luce verde, il pacco batteria è completamente carico. La batteria può essere caricata solo separata dal go-kart.



## 4.3 Display



### 4.3.1 Caratteristiche

Tipo:	VLCD-5
Tensione di funzionamento:	DC11V-60V
Max corrente di lavoro:	70mA(11V) 32mA(50V)
Luminosità della retroilluminazione:	200cd/m <sup>2</sup>

## 4.3.2 Descrizione delle funzioni

- Visualizzazione della velocità  
Indica la velocità attuale
- Indicatore di consumo  
Sei blocchi orizzontali mostrano il livello di energia della batteria (ciascun blocco rappresenta il 16 per cento di energia elettrica); lo sfarfallamento della luminosità ricorda che è necessario caricare la batteria.
- Distanza percorsa (si azzerà al disinserimento dell'alimentazione)  
Indica la distanza percorsa.
- Contachilometri (ODO)  
Indica la distanza totale.
- Velocità media (AVG)  
Indica la velocità media.
- Potenza di assistenza  
Indica la potenza di assistenza. 4 livelli di potenza di assistenza regolabili.
- Retroilluminazione del display  
Possibilità di selezionare 2 livelli di luminosità; per impostazione predefinita la retroilluminazione è disattivata.

## 4.3.3 Procedura di funzionamento

### Definizione dei pulsanti

- + Più/maggiore
- Meno/inferiore
- ⓘ Menu
- ⏻ Accensione/spegnimento e retroilluminazione

⏻ Premere questo pulsante per inserire l'alimentazione; premere questo pulsante per 2 secondi per disinserire l'alimentazione.

Il sistema si spegne automaticamente se rimane inattivo per 5 minuti.

+ / - Sono previsti 4 livelli di potenza di assistenza (Eco, Tour, Speed e Turbo). Premere questi pulsanti per regolare la potenza di assistenza dal livello basso al livello alto.

ⓘ Sono disponibili 4 pagine di modalità (contachilometri, distanza percorsa, velocità media, tempo di sola andata). Premere questo pulsante per selezionare la modalità.

### Funzioni di base

- Utilizzare il pulsante ⏻ per accendere la retroilluminazione quando l'alimentazione è inserita
- Nel menu relativo alla distanza percorsa (TRIP), premere il pulsante ⓘ per 2 secondi per azzerare il contatore ed il tempo.
- Nel menu relativo alla velocità media (AVG), appare la velocità media (velocità media=distanza percorsa / tempo in cui è avvenuto lo spostamento)
- Nel menu relativo al tempo in cui è avvenuto lo spostamento (TIME), appare il tempo di un singolo tragitto.

### Codici di guasto

Errore	Tipo di errore	Soluzione
ERR-01	Guasto dei sensori	Contattare il rivenditore locale
ERR-02	Guasto nel vano motore o cortocircuito del motore	Riavviare usando il pulsante ⏻
ERR-03	Guasto della centralina	Contattare il rivenditore locale
ERR-05	Allarme di insufficiente carica batteria	Ricaricare la batteria
ERR-06	Piedi del ciclista sui pedali all'avviamento	Riavviare senza appoggiare i piedi sui pedali

## 4.4 Indicazione di autonomia

L'autonomia dipende da vari fattori ed è influenzata da:

- Capacità (Ah) e tensione (V) del pacco batteria.
- Livello di assistenza alla pedalata
- Modalità di assistenza alla pedalata o programma di utilizzo.
- Temperatura ambiente
- Forza del vento
- Pressione degli pneumatici
- Velocità
- Peso del ciclista e carico
- Comportamento durante l'utilizzo
- Condizioni del fondo stradale
- Utilizzo del cambio
- L'autonomia si riduce sensibilmente con l'obsolescenza del pacco batteria.

## 4.5 Manutenzione e smaltimento della batteria

### Manutenzione

- Se si verifica una perdita dalla batteria, evitare il contatto con l'acido e collocare la batteria danneggiata in busta di plastica sigillata.
- Se l'acido viene a contatto con la pelle o con gli occhi, sciacquare con acqua fredda per almeno 15 minuti e richiedere tempestivamente l'intervento del medico.
- Caricare una batteria nuova per almeno 12 ore prima del primo utilizzo.
- Una condizione di carica eccessiva ovvero insufficiente della batteria può ridurre la durata e diminuire il tempo di funzionamento del veicolo.
- Caricare la batteria dopo ogni utilizzo, indipendentemente dal tempo di utilizzo del veicolo.
- Non lasciare che la batteria si scarichi completamente prima di ricaricarla.
- Sostituire la batteria prima di riporre il veicolo.
- Quando non in uso, caricare la batteria per almeno 3 ore ogni 3 mesi.
- Lasciare la batteria scarica ne provoca il danneggiamento.
- Se si prevede di lasciare il veicolo in deposito per più di due mesi, accertarsi di scollegare il cablaggio motore dalla batteria.
- Non lasciare la batteria svincolata nel vano batteria per evitare eventuali spostamenti interni.
- Ad ogni ricarica, esaminare la batteria, il caricabatterie ed il relativo connettore per rilevare eventuali tracce di usura eccessiva o di danni. In presenza di danneggiamento, non utilizzare il caricabatteria o la batteria fino a quando non si sarà sostituita la parte usurata o danneggiata.
- Ricordare di estrarre una batteria scarica dal veicolo.
- Eventuali perdite dalla batteria e la corrosione possono danneggiare il veicolo.
- Non pulire la batteria con acqua ad alta pressione.
- Rimuovere la batteria dal veicolo quando non è in uso.

### Smaltimento della batteria e del caricabatteria



- Riciclare la batteria ed il caricabatteria secondo modalità ecocompatibili.
- Non smaltire la batteria gettandola nel fuoco onde evitare il rischio di incendio o di esplosione della stessa.
- Non smaltire la batteria con i normali rifiuti domestici. È tassativamente vietato l'incenerimento, lo smaltimento in discarica o la miscelazione delle batterie con rifiuti domestici.
- Restituire una batteria esaurita ad un ente riciclatore riconosciuto. Contattare gli addetti alla gestione dei rifiuti locali per maggiori informazioni sulla raccolta, il riciclaggio e lo smaltimento delle batterie secondo modalità ecologicamente corrette.

## 5. Garanzia

### 5.1 Periodo di garanzia

Il proprietario di questo prodotto BERG usufruisce delle seguenti garanzie:

- Garanzia sul telaio di 2 anni dalla data riportata sullo scontrino di acquisto.
- Garanzia sugli altri componenti di 1 anni dalla data riportata sullo scontrino di acquisto.
- Non è prevista alcuna garanzia sui componenti soggetti a usura (come la catena e gli pneumatici).
- Controllare [www.bergtoys.com](http://www.bergtoys.com) per ampi regolamenti warranty.

### 5.2 Regolamento di garanzia

Il proprietario di questo prodotto può usufruire di garanzia soltanto dietro presentazione dello scontrino di acquisto originale. La garanzia copre soltanto i difetti dei materiali e di fabbricazione di questo prodotto e dei suoi componenti. La garanzia decade quando:

- il prodotto viene utilizzato in modo improprio e/o inaccurato;
- l'utilizzo non corrisponde alla destinazione prevista;
- il prodotto non è assemblato e sottoposto a manutenzione conformemente al libretto di istruzioni;
- le riparazioni tecniche di questo prodotto non sono eseguite da una persona esperta;
- vengono montati successivamente componenti non conformi alle specifiche tecniche del prodotto in questione, o in modo errato;
- i componenti aggiunti successivamente o sostituiti non sono componenti o accessori ufficiali di BERG;
- si verificano difetti conseguenti ad agenti climatici, come corrosione o normale usura della vernice;
- il prodotto viene utilizzato per il noleggio o viene messo a disposizione in altro modo di più persone non specificate.
- La batteria, il display o il caricatore sono stati trovati aperti.

BERG non può in alcun caso essere ritenuta responsabile per i danni a questo prodotto o parti di esso conseguenti a:

- regolazione/tensione/pressione errata dello sterzo, del meccanismo sterzante, della catena, degli pneumatici e del mozzo del cambio;
- sostituzione non tempestiva dei componenti soggetti a usura, come la catena e gli pneumatici.

Durante il periodo di garanzia, BERG provvederà alla riparazione o alla sostituzione dei componenti, a sua discrezione, per tutti i difetti dei materiali o di costruzione constatati da BERG.

Il proprietario del prodotto può richiedere la garanzia solo presso la struttura in cui è stato acquistato il prodotto. Oltre all'indicazione del danno documentato, prendere anche il numero di serie del prodotto e la fattura d'acquisto. Il numero di serie si trova sul telaio del prodotto.

Qualora la richiesta di garanzia sia respinta, tutti i costi sostenuti sono a carico del proprietario del prodotto.

Questa garanzia non può essere trasferita a terzi.

## Introduktion

Tillykke med dit køb af en BERG gokart.

BERG bestræber sig på at designe og fremstille robuste og sikre produkter. Dit valg af et BERG-produkt betyder, at du har valgt et produkt, der vil give dig glæde i mange år. På grund af den løbende udvikling af vores produkter forbeholder vi os vi retten til at ændre produktspecifikationerne uden varsel.

Læs manualen omhyggeligt mht. de nødvendige sikkerheds- og vedligeholdelsesinstruktioner.

BERG-produktet har en lang levetid, men kræver lidt vedligeholdelse fra tid til anden. Du finder vedligeholdelsesinstruktionerne i denne brugervejledning. Når du følger dem, er du garanteret et slidstærkt legetøj, der holder i mange år.

Besøg vores hjemmeside på [www.bergtoys.com](http://www.bergtoys.com) og læs mere om BERG og se vores produkter og tilbehør. Du er meget velkommen til at sende en e-mail til BERG med dine forslag til forbedringer og andre oplevelser. Du kan skrive til [info@bergtoys.com](mailto:info@bergtoys.com).

## Indhold

1. Advarsler
  - 1.1 Generelle advarsler
  - 1.2 Batteriadvarsler
  - 1.3 Opladeradvarsler
2. Brugervejledning
  - 2.1 Sikkerhed
  - 2.2 Brugervejledning
    - 2.2.1 Før brug
    - 2.2.2 Under brug
  - 2.3 Begrænsninger for brugen
3. Vedligeholdelse
  - 3.1 Vedligeholdelsesskema
  - 3.2 Vedligeholdelsesaktiviteter
    - 3.2.1 Ramme
    - 3.2.2 Hjul/dæk
    - 3.2.3 Styretøj
    - 3.2.4 Køremekanisme
    - 3.2.5 Plastdele
4. Elektroniske komponenter
  - 4.1 Batterisæt
    - 4.1.1 Isætning af batterisættet
    - 4.1.2 Fjernelse af batterisættet
  - 4.2 Oplader
  - 4.3 Display
    - 4.3.1 Specifikationer
    - 4.3.2 Funktionsbeskrivelse
    - 4.3.3 Betjening
  - 4.4 Angivelse af rækkevidde
  - 4.5 Batteripleje og -bortskaffelse
5. Garanti
  - 5.1 Garantiperiode
  - 5.2 Garantivilkår



## 1. Advarsler

### 1.1 Generelle advarsler

- ADVARSEL. Dette legetøj er ikke egnet til børn under 6 år pga. dets maksimale hastighed.
- ADVARSEL. Må ikke anvendes på offentlige områder pga. risikoen for uheld med andre køretøjer, forhindringer, dyr og personer.
- Sikre brugsområder er baggårde eller lukkede områder med god synlighed for den voksne, der holder opsyn med legen.
- Legetøjet må kun anvendes under opsyn af en voksen. Må aldrig anvendes på kørebaner, i nærheden af motorkøretøjer, på eller i nærheden af stejle skråninger eller trin, swimmingpools eller andre vandmasser. Brug altid sko, og lad aldrig mere end 2 personer køre på legetøjet.
- Voksne skal lære børnene at bruge legetøjet, før det tages i brug første gang. Særligt accelereringen samt betjeningen af pedalerne og bremserne skal forklares grundigt for barnet.
- Børn (under 12) må kun bruge produktet under opsyn af en voksen.
- Dette produkt må ikke bruges på offentlige veje.
- Undgå at dreje skarpt, når du kører med høj hastighed. Go-karten kan vælte!
- Vær opmærksom på løsthængende dele af tøj som tørklæder og snørebånd. Disse kan vikles ind i bevægelige dele, hvilket kan føre til ulykker.
- Kør aldrig hvis du er påvirket af alkohol, narkotika eller medicin, der kan påvirke din reaktionstid eller synsevner negativt.

### 1.2 Batteriadvarsler

- Oplad batterisættet helt, inden e-gokarten tages i brug første gang.
  - Alle batterier aflades over tid. Denne proces kaldes selvafladning. Et batterisæt, som er tomt og ikke lades op, kan aflades fuldt på grund af selvafladning inden for to måneder, hvilket kan gøre det defekt. Garantien bortfalder i tilfælde af fuldafladning.
  - Batterisættet behøver ikke være helt tomt, inden det sættes til opladning. Batterisættet forbliver i god stand, hvis du oplader det efter hver brug (uanset turens længde). Når batteriet er fuldt opladet, stopper opladningen automatisk. Lyset på opladeren lyser konstant grønt.
  - Du kan lade opladeren være forbundet under langtidsopbevaring. Hvis dette ikke er muligt, skal batterisættet oplades helt, og opladeren kobles fra batterisættet. Oplad batterisættet helt mindst én gang hver anden måned.
  - Sørg for, at batterisættet holdes inden for temperaturgrænserne angivet nedenfor. Dette forlænger batterisættets brugslevetid og øger ydeevnen. Desuden fungerer opladning eller servostyring ikke uden for temperaturgrænserne.
- | Status                                       | Minimum (°C) | Maksimum (°C) |
|--|--------------|---------------|
| Under opladning                              | 0            | 45            |
| Under brug                                   | -10          | 45            |
| Opbevaring (mindst 60 % af opladningsniveau) | -10          | 35            |
- Oplad altid batteriet med opladeren, der fulgte med e-gokarten. Brug ikke andre opladere.
  - Oplad ikke batterisættet i direkte sollys.
  - Undgå at tabe batterisættet. Dette kan beskadige batterisættet.
  - Husk, at din e-gokart genererer mindre assistance ved lavere temperaturer (under 10 °C), og at batterisættet kører tomt hurtigere.
  - Store temperaturskift kan medføre store forskelle i den angivne opladningsstatus, især ved lave temperaturer og med lav opladning på batterisættet.
  - Batteriet må ikke åbnes, da dette kan forårsage elektrisk stød.
  - Hold batteriet på afstand af salte og ætsende væsker.
  - Brug ikke batteriet, hvis det har udvendige skader.
  - Kortslut ikke batteriet.
  - Hold batteriet på afstand af varme og ild.

## 1.3 Opladeradvarsler

- Anvend ikke denne oplader til andre produkter. Den er udelukkende beregnet til litiumbatteridrevne køretøjer.
- Tilslut ikke opladeren til netspændingen, når den ikke er i brug.
- Fjern opladeren fra batteriet, inden du begynder at køre.
- Sørg for, at opladeren ikke bliver våd.
- Undgå at beskadige opladeren.
- Anvend ikke opladeren, hvis den er blevet udsat for stød, eller den er blevet tabt eller beskadiget. Efterse opladeren og batteriet inden hver brug, og udskift dem, hvis der konstateres slitage eller beskadigelse.
- Opladeren er beregnet til at køre på almindelig strøm (200-240V eller 110V med omformeren). Forsøg ikke at bruge opladeren på et andet spændingsniveau!
- Foretag aldrig ændringer af og/eller omgå aldrig det elektriske system, da dette kan medføre risiko for elektrisk stød, dødsulykke forårsaget af elektricitet eller brand.
- For at reducere risikoen for beskadigelse skal opladeren trækkes ud ved stikket og ikke ved at hive i ledningen, når den tages ud af en stikkontakt.
- Sørg for, at ledningen ligger således, at den ikke bliver trådt på, snubles over eller på anden måde udsættes for skader eller belastning.
- En forlængerledning bør ikke bruges, medmindre det er absolut nødvendigt. Brug af en forkert forlængerledning kan medføre brand, elektrisk stød eller dødsulykke forårsaget af elektricitet.
- For at undgå elektrisk stød må opladeren eller batteriet ikke nedsænkes i vand i forbindelse med rengøring. Rengøring foretages ved at tage oplader-/batteristikket ud af stikkontakten og tørre det af med en tør klud.
- Anbring ikke genstande oven på opladeren, og placer ikke opladeren på en blød overflade, der kan medføre kraftig varme. Anbring opladeren på afstand af alle former for varmekilder.
- Når opladningen er færdig, skal opladeren tages ud af stikkontakten og fjernes fra batteriet. Anbring batteriet og opladeren på et sted, der er utilgængeligt for børn.
- Opbevar batteriet og opladeren på et tørt sted, der er utilgængeligt for børn.
- Skil ikke opladeren ad, og forsøg ikke at reparere en beskadiget oplader. Kontakt din Berg-forhandler, hvis opladeren beskadiges.
- Dette apparat er ikke beregnet til at blive brugt af personer med nedsatte fysiske, sensoriske eller mentale evner eller manglende erfaring og kendskab, medmindre de er blevet overvåget eller instrueret i brug af apparatet af en person, der er ansvarlig for deres sikkerhed.

## 2. Brugervejledning

Hverken BERG eller forhandleren kan holdes ansvarlig for forkert brug af dette produkt. Læs disse retningslinjer først, for at benytte dette produkt sikkert og korrekt. BERG kan ikke holdes ansvarlig for eventuelle udeladelser i denne vejledning.

### 2.1 Sikkerhed

BERG kan ikke holdes ansvarlig for eventuelle udeladelser i denne brugervejledning. Vær altid opmærksom på de højest mulige sikkerhedsforanstaltninger. Besøg din lokale forhandler, eller kontakt BERG, hvis du har spørgsmål eller er i tvivl om noget.

### 2.2 Brugervejledning

Brug kun BERG-produktet, som anvist nedenfor. Enhver uautoriseret brug kan medføre alvorlige skader på brugeren og/eller produktet.

#### 2.2.1 Før brug

- Juster sæde og rat til den korrekte position iht. brugerens størrelse.
- Sørg for, at styretøj, bremses og dæk fungerer korrekt og at bolte og møtrikker er spændte.
- Beskyttende paneler, som har været fjernet aht. vedligeholdelse, skal altid bringes tilbage i deres oprindelige tilstand før brug.
- Kontroller dæktrykket, og sørg for, at det opfylder den standard, som er vist på dækket. Se vedligeholdelse.
- Den voksne er ansvarlig for at instruere barnet i, hvordan man sikkert betjener dette produkt.
- Oplys barnet om, hvordan man bruger bremsen.

#### 2.2.2 Under brug

- Kør med en passende hastighed, så du har kontrol over karten.
- Vær altid opmærksom på omgivelserne.
- Brug altid fodbremsen, når du skal bremse produktet.
- Kør altid på en jævn overflade uden forhindringer.
- Det er ikke obligatorisk at have beskyttelsesudstyr på, men af hensyn til sikkerheden anbefales det.
- Sørg for, at produktet ikke kan rulle væk, når det er parkeret. Brug parkeringsbremsen til dette.
- Placer ikke unødvendige genstande på eller imod rattet. Sørg for, at rattet altid fungerer.
- Brug fodbremsen ved træde baglæns i pedalerne.
- For at opnå ekstra kraft ved bremsning skal du bruge parkeringsbremsen.

### 2.3 Begrænsninger for brugen

- Dette produkt må ikke bruges på offentlige veje.
- Kør ikke baglæns ved større hastigheder. Dermed kan du miste kontrollen.
- Kollisioner eller andre stunts øger risiko for skader på både brugeren og produktet og er ikke tilladt.
- Undgå kontakt med bevægelige dele under kørsel med produktet.
- Stig ikke af og på produktet, mens det er i bevægelse
- Overbelast ikke produktet. Maksimal brugervægt er 100kg.
- Kør aldrig i mørke uden lys
- Kør ikke på tværs af en skråning (i stedet for op og ned), og foretag ikke skarpe sving i høj hastighed. Der er en risiko for, at produktet kan vælte.
- Når du kører ned ad bakke, øges farten betydeligt, og der kan forekomme ulykker. Bremselængden bliver også længere! Det er ikke tilladt at bruge dette produkt på bakker eller skråninger (op eller ned).

## 3. Vedligeholdelse

En vis vedligeholdelse er påkrævet for at bruge BERG-produktet, og have glæde af det i lang tid. Dette kapitel beskriver, hvordan, hvor ofte og hvilken vedligeholdelse, der skal udføres.

### 3.1 Vedligeholdelsesskema

Dagligt	Månedlig	Halvårligt	Årligt
<p><b>Hjul/dæk</b> Tjek for slitage. Kontroller dæktrykket, og øg trykket om nødvendigt. Gør dette på et køligt sted uden for direkte sollys.</p>	<p><b>Ramme</b> Rens og tjek alle møtrikker og bolte. Tjek rammen for eventuelle revner og brud.</p> <p><b>Drivmekanisme</b> Tjek om kæden har den korrekte spænding. Kæde, smøring.</p> <p><b>Styretøj</b> Rens og tjek alle møtrikker og bolte. Smør de bevægelige dele Rens og smør kæder.</p>	<p><b>Drivmekanisme</b> Tjek korrekt funktion af lejer, kæde, nav, tandhjul og aksler.</p>	<p><b>Plastdele</b> Rengør plastdele og tjek for skader</p>

### 3.2 Vedligeholdelsesaktiviteter

I dette afsnit beskrives, hvilken vedligeholdelse der skal udføres, og hvor ofte.

#### 3.2.1 Ramme

- Rammen er pulverlakeret eller belagt med sort zink. For at forhindre rust, er det vigtigt at rengøre rammen regelmæssigt. Hvis du vil vedligeholde rammen med fedt eller olie, brug da kun syrefri produkter. Du kan behandle beskadigede områder med maling.
- Tjek bolte og møtrikker for rust og udskift dem for at forhindre dem i at knække, hvilket kan medføre skader.

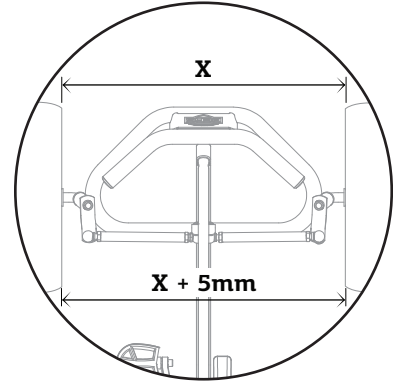
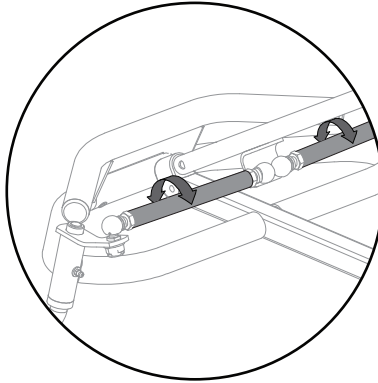
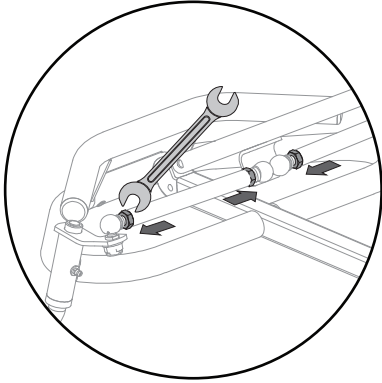
#### 3.2.2 Hjul/dæk

- Tjek regelmæssigt fælge og dæk for eventuelle skader (for eksempel snit, revner og buler). Advarsel: Beskadigede fælge og dæk kan medføre ulykker! Dækkene må ikke komme i kontakt med olie, fedt eller brændstof.
- Den korrekte dæktryk er vist på ydersiden af dækkene. Når dækkene har det korrekte tryk, vil produktet være let og nemt at håndtere. Hvis trykket er for lavt, vil dækkene hurtigere blive utætte og slidte. Hvis dæktrykket er for højt, kan dækkene løsne sig fra fælgen, hvilket kan medføre farlige situationer. OBS: Husk at stærkt sollys og høje temperaturer øger dæktrykket! Dækkene må ikke komme i kontakt med olie, fedt eller brændstof. Sørg for, at ventilhætterne altid er monteret på ventilerne.

### 3.2.3 Styretøj

Styretøjet skal hver måned tjekkes for følgende:

- Skader, rust, slid og ælde.
- Alle møtrikker og bolte skal spændes efter.



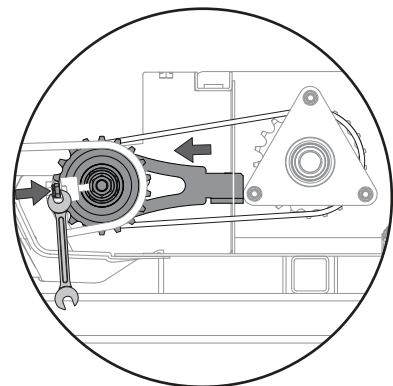
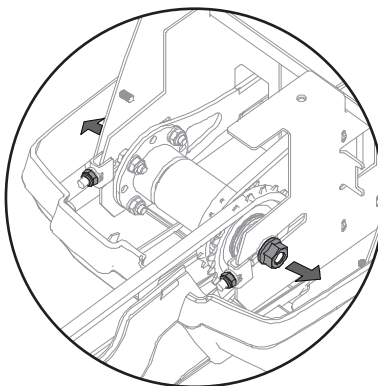
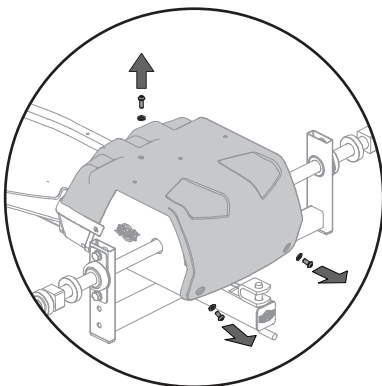
### 3.2.4 Køremekanisme

#### Kæde

Go-karten har en drivmekanisme med to kæder. Sørg for, at kæderne er tilstrækkeligt smurt, så de kan løbe frit. Hvis en kæde er spændt for stramt, kan produktet blive vanskeligere at cykle/pedalere og der er en øget risiko for, at kæde(r) og tandhjul slides hurtigere. Hvis en kæde ikke er spændt nok, kan kæden lettere falde af tandhjulet, eller der er en risiko for beskadigelse af kædeskærmen. Når begge kæder skal spændes efter, så begynd altid med den bageste/korte kæde.

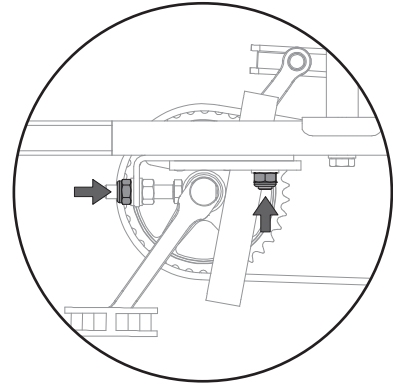
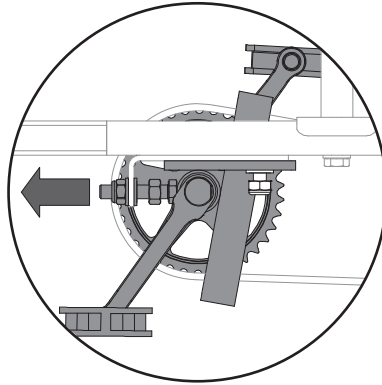
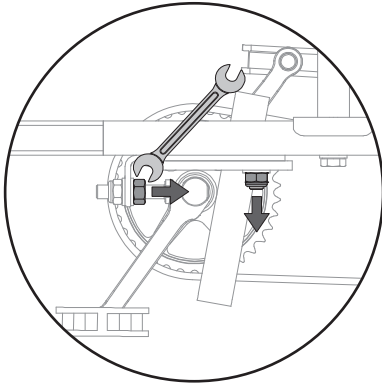
Sådan spændes den bageste kæde:

- Fjern den beskyttende hætte.
- Løsn navets møtrik.
- Spænd kæden ved at flytte navet fremad.
- Sørg for, at navet forbliver præcist parallelt med bagakslen.
- Spænd navets møtrikker igen.
- Kæden er korrekt spændt hvis midten af den kan trykkes 6 millimeter nedad.
- Stram de fire bolte igen. Sørg for tandhjulet er parallelt med kædeskærmen.
- Monter kædeskærmen, når kæden har den korrekte spænding.
- Kædeskærmen skal fjernes for at smøre kæden og tjekke kædespændingen.



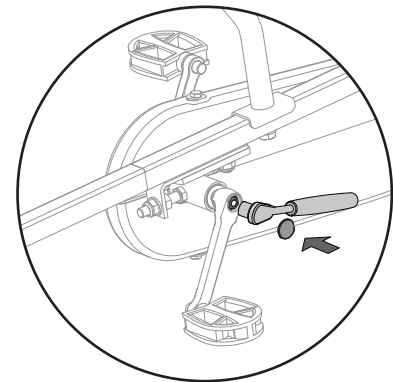
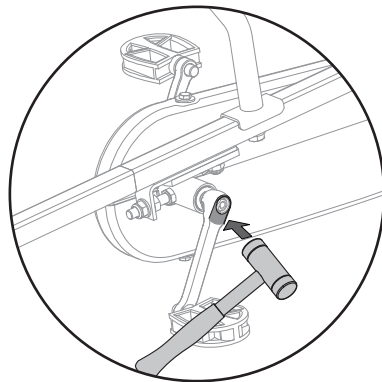
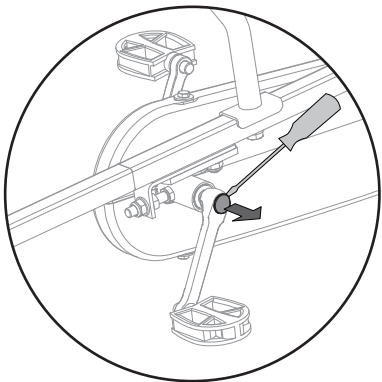
Efterspænding af den forreste kæde:

- Løsn krankakslens bolte i bunden af rammen.
- Spænd kæden ved at flytte krankakslen fremad.
- Stram boltene igen. Det skal være muligt at trykke midten af kæden en centimeter nedad. For at tjekke dette skal du fjerne den nederste halvdel af kædehuset.



### Krank, justering

Når du har brugt dit nye produkt nogle dage (intensiv brug) eller efter op til to uger (normal brug) efter købet, skal monteringsboltene, som den venstre og højre pedalarm er gjort fast med, spændes efter. (se illustrationen nedenfor). Bemærk at de skal "håndspændes". Det vil sige spændes med et moment på maks. 30Nm. (Det er en helt normal effekt, der optræder efter kortere brug, som følge af den kraft pedalerne og kranken omsætter. Hvis dette ikke gøres regelmæssigt, vil der opstå en vis frigang eller løshed, som kan medføre skader på pedalarmen og krankakslen. Dette kan let undgås ved at spænde boltene efter.



### Hub

Bremsefrihjulet fungerer som en bagbremse og har et frigear. Bremsefrihjulet kan sættes i baggear. Kædens spænding skal kontrolleres hvert halve år.

### 3.2.5 Plastdele

Plastic- og/eller trædelene skal regelmæssigt kontrolleres for skader og brud.

I tilfælde af skader skal du, for at garantere brugerens sikkerhed, omgående erstatte den pågældende del med en original del.

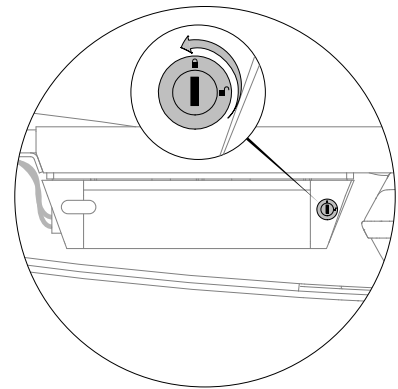
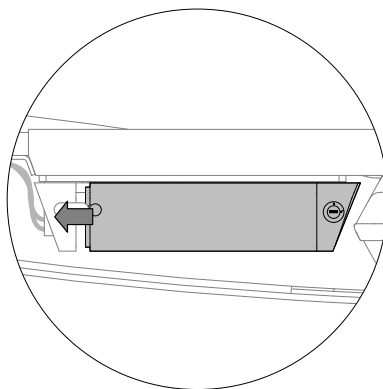
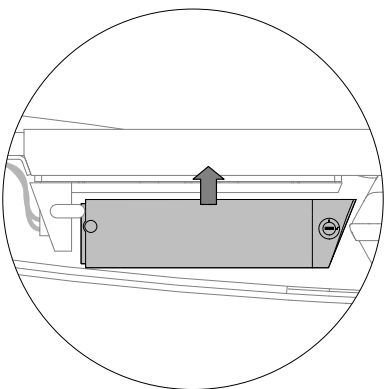
## 4. Elektroniske komponenter

### 4.1 Batterisæt

#### 4.1.1 Isætning af batterisættet

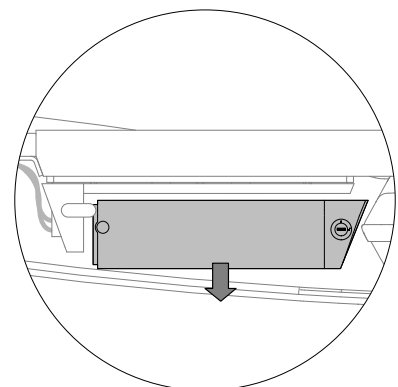
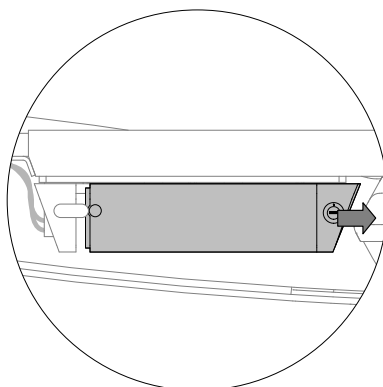
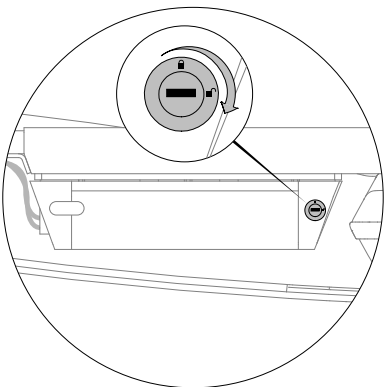
- Sæt nøglen i låsen
- Sørg for, at nøglen sidder i den ulåste position
- Skub forsigtigt batterisættet langs med styreskinnen, indtil bagsiden forbindes med forsiden uden mellemrum.
- Drej nøglen til låst position.
- Tag nøglen ud, og opbevar den utilgængeligt for børn.
- Sørg for, at ladestikkets dæksel er lukket.
- Sørg for, at batterisættet er låst ved at trække det tilbage.
- Sørg for at opbevare nøglerne et sikkert sted.
- Hvis batteriet ikke fungerer, skal du efterse kontaktfladen mellem batteriet og dockingstationen, som skal være fri for snavs og fugt for at sikre, at e-gokarten fungerer korrekt. Tør den om nødvendigt af med en ren klud. Overdreven fugt og snavs kan føre til kontaktproblemer og/eller -fejl. Hvis batteriet stadig ikke fungerer, skal du kontakte din forhandler.

Et korrekt monteret batterisæt kan ikke længere fjernes uden en nøgle.



#### 4.1.2 Fjernelse af batterisættet

- Sørg for, at ladestikkets dæksel er lukket.
- Sæt nøglen i låsen.
- Drej nøglen til ulåst position
- Fjern batterisættet ved først at flytte det mod den bageste kædeskærm og derefter flytte det nedad. Brug altid begge hænder til at fjerne batterisættet for at undgå at tabe batteriet.

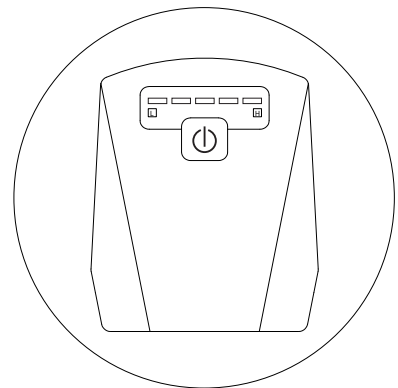
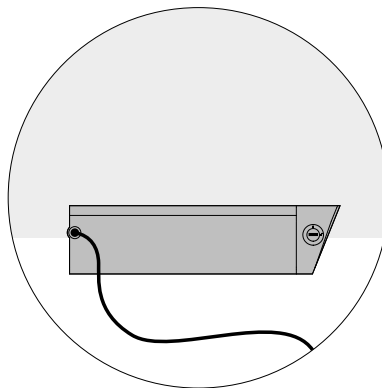
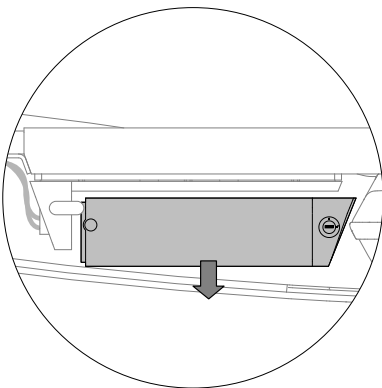


## 4.2 Oplader

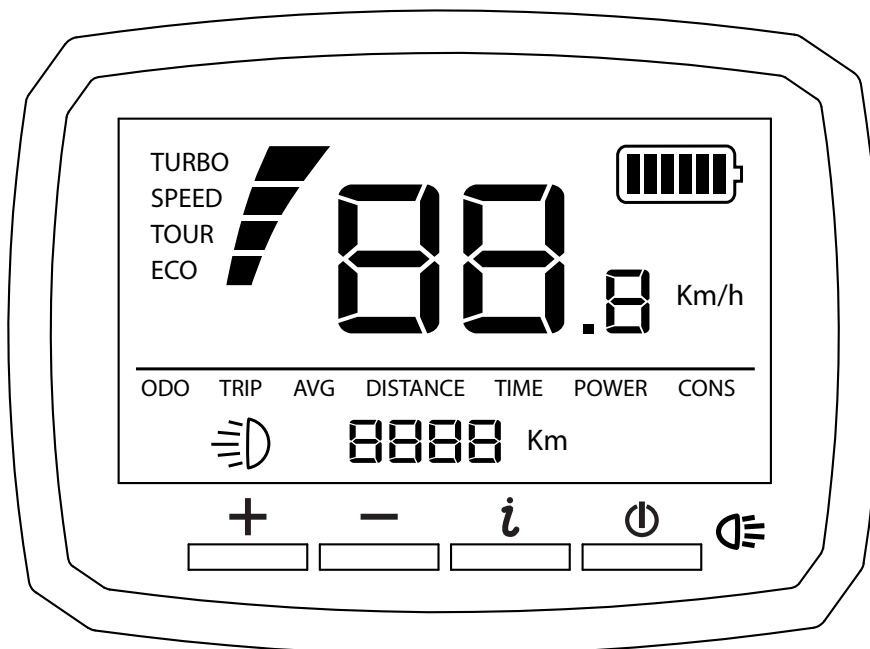
Den gennemsnitlige opladningstid er 6 timer (for et fladt batteri).

### Opladning af batterisættet

- Batteriopladeren må kun anvendes af en voksen.
  - Se efter, om netledningen er sluttet til opladeren.
  - Slut opladeren til netspændingen. Den grønne indikatorlampe tændes.
  - Sæt stikket i batteriladestationen.
  - Når der trykkes på sluk-knappen, viser batterisættets lysdioder batteriopladningen. Hver grøn lysdiode repræsenterer 25 %.
  - Når opladeren lyser grønt, er batteriet fuldt opladet
- Batteriet kan kun oplades adskilt fra gokarten.



## 4.3 Display



### 4.3.1 Specifikationer

Type:	VLCD-5
Arbejdsspænding:	DC11V-60V
Maks. arbejdsstrøm:	70mA(11V) 32mA(50V)
Baggrundsbelysningens lysstyrke:	200cd/m <sup>2</sup>



## 4.3.2 Funktionsbeskrivelse

- Hastighedsdisplay  
Viser aktuel hastighed
- Forbrugsindikator  
Seks vandrette blokke viser batteriets energiniveau (hver blok repræsenterer 16 % elektrisk energi) og flimrer for at minde dig om at oplade batteriet.
- Triptæller (nulstilles, når strømmen er afbrudt)  
Viser turens længde.
- Kilometertæller (ODO)  
Viser den samlede afstand.
- Gennemsnitshastighed (AVG)  
Viser gennemsnitshastigheden.
- Servostyring  
Viser servostyringen. 4 niveauer af justerbar servostyring.
- Skærmens baggrundslus  
Skift mellem 2 lysstyrkeniveauer. Baggrundsluset er som standard slået fra.

## 4.3.3 Betjening

### Knapbeskrivelse

- + Mere/højere
- − Mindre/lavere
- ⓘ Menu
- ⏻ Tænd/sluk og baggrundslus

⏻ Tryk på denne knap for at tænde, og hold den nede i 2 sekunder for at slukke.

Der slukkes automatisk for systemet efter 5 minutter uden aktivitet.

+ / − Servostyringen har 4 niveauer (Eco, Tour, Speed og Turbo). Tryk på disse knapper for at justere servostyringen fra lav til høj.

ⓘ Der er 4 modussider (kilometertæller, triptæller, gennemsnitshastighed, engangstid). Tryk på denne knap for at justere modussen.

### Basisfunktioner

- Brug ⏻-knappen til at tænde for baggrundsluset, når maskinen er tændt
- I menuen for triptæller (TRIP), skal du holde ⓘ-knappen nede i 2 sekunder for at nulstille tælleren og tiden.
- Menuen for gennemsnitshastighed (AVG) viser den gennemsnitlige hastighed (gennemsnitshastighed = strækning / kørselstid)
- Menuen for kørselstid (TIME) viser tiden for en enkelt tur.

### Fejlkode

Fejl	Fejltype	Løsning
ERR-01	Sensorfejl	Kontakt din lokale forhandler
ERR-02	Motorfejl eller motorkortslutning	Genstart ved hjælp af ⏻-knappen
ERR-03	Fejl i styreenheden	Kontakt din lokale forhandler
ERR-05	Alarm om lavt energiniveau	Oplad batteriet
ERR-06	Cyklistens fødder på pedalen ved opstart	Genstart uden fødderne på pedalen

## 4.4 Angivelse af rækkevidde

Rækkevidden afhænger af flere faktorer og påvirkes af følgende:

- Batterisættets kapacitet (Ah) og spænding (V).
- Pedalstyringsniveau
- Pedalstyringsmodus eller køreprogram.
- Omgivelsestemperatur
- Vindstyrke
- Dæktryk
- Kørselshastighed
- Førerens og lastens vægt
- Kørselsadfærd
- Vejforhold
- Brug af gear
- Rækkevidden reduceres betydeligt, i takt med at batterisættet bliver ældre.

## 4.5 Batteripleje og -bortskaffelse

### Pleje

- Hvis batteriet lækker, skal kontakt med syrelækagen undgås, og det beskadigede batteri skal placeres i forseglet plastpose.
- Hvis syren kommer i kontakt med huden eller øjnene, skal der skylles med koldt vand i mindst 15 minutter og søges lægehjælp med det samme.
- Oplad batteriet i mindst 12 timer inden første brug.
- Overopladning eller underopladning af batteriet kan forkorte batteriets brugslevetid og reducere køretøjets driftstid.
- Oplad batteriet efter hver brug, uanset hvor kort eller lang tid køretøjet blev brugt.
- Lad ikke batteriet køre helt fladt inden opladning.
- Udskift batteriet, inden køretøjet stilles til opbevaring.
- Oplad batteriet mindst 3 timer hver 3. måned, når det ikke er i brug.
- Batteriet ødelægges af at blive efterladt i afladet tilstand.
- Hvis køretøjet skal opbevares i mere end to måneder, skal motorens ledningsnet kobles fra batteriet.
- Sørg for, at batteriet ikke kan bevæge sig frit i batterirummet.
- Efterse batteriet, opladeren og dets stik for kraftig slitage eller beskadigelse, hver gang du oplader batteriet. Hvis det viser sig at være beskadiget, må du ikke bruge opladeren eller batteriet, indtil du har udskiftet den slidte eller beskadigede del.
- Husk at fjerne udtjente batterier fra køretøjet.
- Batterilækage og -korrosion kan beskadige køretøjet.
- Rengør ikke batteriet med højtryksspuling.
- Fjern batteriet fra køretøjet, når det ikke er i brug.

### Bortskaffelse af batteri og oplader



- Genbrug batteriet og opladeren på miljøvenlig vis.
- Send ikke batteriet til forbrænding, eftersom det kan antændes eller eksplodere.
- Bortskaf ikke batteriet med dit almindelige husholdningsaffald. Forbrænding, affaldsdeponering eller blanding af batterier med husholdningsaffald er forbudt.
- Returner udtjente batterier til en anerkendt genvindingsvirksomhed. Kontakt dine lokale affaldshåndteringsmyndigheder for at få yderligere oplysninger om miljøvenlig indsamling, genbrug og bortskaffelse af batterier.

## 5. Garanti

### 5.1 Garantiperiode

Ejeren af dette BERG-produkt har følgende garanti på dette produkt:

- Rammen har en garanti på 2 år fra købsdatoen.
- Andre dele har en garanti på 1 år fra købsdatoen.
- Dele, der påvirkes af slid og ælde (som kæder og dæk), er ikke omfattet af garantien.
- Tjek [www.bergtoys.com](http://www.bergtoys.com) for vores omfattende garantivilkår

### 5.2 Garantivilkår

Ejeren af produktet kan kun kræve garantidækning ved at fremlægge den originale kvittering for købet. Garantien gælder kun for materiale- og konstruktionsfejl, som er relateret til dette produkt eller dele deraf. Garantien bortfalder hvis:

- Produktet anvendes forkert og/eller skødesløst.
- Produktet ikke anvendes i overensstemmelse med dets formål.
- Produktet er ikke samlet og vedligeholdt i overensstemmelse med brugsanvisningen.
- Tekniske reparationer på produktet er ikke udført på en professionel måde.
- Eftermonterede dele opfylder ikke det relevante produkts tekniske specifikationer eller er ikke monteret korrekt.
- Tilføjede eller udskiftede dele er ikke originale BERG-reservedele eller -tilbehør.
- Fejl og mangler, som opstår som følge af klimapåvirkninger, som rust eller normal forvitring af lakeringen.
- Produktet har været brugt til udlejning eller på anden måde stillet til rådighed for flere uspecificerede personer.
- Batteripakken, displayet eller opladeren er fundet åbnes.

BERG kan under ingen omstændigheder holdes ansvarlig for skader på produkter (eller dele heraf) som følge af:

- Forkert justering/stramning af styretøj, styretøjets mekanisme, kæde(r) og dæk.
- Udskiftning af dele som kæde(r) og dæk, der ikke er gennemført i tide.

Under garantiperioden vil alle materialer og konstruktionsrelaterede fejl blive repareret eller erstattet af BERG.

Ejeren af produktet kan kun gøre krav på denne garanti ved at henvende sig til den virksomhed, der solgte produktet. Medbring klage, produktets serienummer og original kvittering. Du kan finde serienummeret på produktets ramme.

Hvis garantikravet ikke anerkendes, skal alle udgifter betales af ejeren.

Garantien kan ikke overdrages til tredjemand.

## Introduktion

Gratulerar till att du har köpt en gokart från BERG!

BERG eftersträvar att utforma och tillverka robusta och säkra produkter. Att du har valt en produkt från BERG innebär att du nu har en produkt som kommer att ge dig år av nöje. Eftersom vi fortlöpande utvecklar våra produkter reserverar vi oss rätten att ändra produktspecifikationer utan att ge någon notis.

Läs manualen noggrant för att få de nödvändiga säkerhets- och underhållsinstruktionerna.

BERG-produkten har en lång livslängd, men kommer att behöva en del underhåll då och då. Du kommer att hitta instruktionerna för underhåll i denna användarmanual. Om man håller dem i åtanke är man garanterad en slitstark leksak som håller i många år.

Besök vår webbplats på [www.bergtoys.com](http://www.bergtoys.com) för att få veta mer om BERG och se våra produkter och tillbehör. Du är varmt välkommen att skicka ett e-mail till BERG med eventuella förslag för förbättring eller andra meddelanden. Du kan skicka dessa till: [info@bergtoys.com](mailto:info@bergtoys.com).

## Innehåll

1. Varningar
  - 1.1 Allmänna varningar
  - 1.2 Batterivarningar
  - 1.3 Laddarvarningar
2. Användarriktlinjer
  - 2.1 Säkerhet
  - 2.2 Användarinstruktioner
    - 2.2.1 Innan användning
    - 2.2.2 Under användning
  - 2.3 Användningsbegränsningar
3. Underhåll
  - 3.1 Underhållsschema
  - 3.2 Underhållsaktiviteter
    - 3.2.1 Chassi
    - 3.2.2 Hjul/däck
    - 3.2.3 Styrning
    - 3.2.4 Drivmekanism
    - 3.2.5 Plastdelar
4. Elektroniska komponenter
  - 4.1 Batteripaketet
    - 4.1.1 Montera batteripaketet
    - 4.1.2 Ta bort batteripaketet
  - 4.2 Laddaren
  - 4.3 Skärmen
    - 4.3.1 Specifikationer
    - 4.3.2 Funktionsbeskrivning
    - 4.3.3 Användningsinstruktioner
  - 4.4 Räckviddsangivning
  - 4.5 Underhåll och kassering av batteriet
5. Garanti
  - 5.1 Garantiperiod
  - 5.2 Garantiregler

## 1. Varningar

### 1.1 Allmänna varningar

- **WARNING!** Leksaken är inte lämplig för barn under 6 år på grund av dess maxhastighet.
- **WARNING!** Undvik att använda leksaken i offentliga miljöer för att förhindra olyckor med andra fordon, hinder, djur och människor.
- Säkra platser för användning är tomter eller inhägnade områden där vuxna kan ha god uppsikt över barnet.
- Får endast användas under tillsyn av vuxen. Använd aldrig trampbilen på vägbanor, nära motorfordon, på eller nära branta backar eller trappor, simbassänger eller andra vattensamlingar. Bär alltid skor vid användning och låt aldrig mer än två personer köra trampbilen samtidigt.
- En vuxen måste utbilda barnet innan den första användningen. Särskilt accelerering och pedalernas och bromsarnas användning måste förklaras ingående för barnet.
- Barn (under 12 år) får endast använda produkten under tillsyn av vuxen.
- Denna produkt får inte användas på allmänna vägar.
- Sväng inte skarpt när du kör med hög hastighet. Då kan gokarten välta!
- Ge akt på löst hängande delar från kläder, som halsdukar och skosnören. De kan trassla in sig i delar som rör sig, vilket kan leda till olyckor.
- Kör aldrig om du är påverkad av alkohol, droger eller läkemedel som negativt kan påverka din reaktionstid eller observationsförmåga.

### 1.2 Batterivarningar

- Ladda batteripaketet helt innan e-trampbilen används för första gången.
  - Alla batterier laddas ur med tiden. Denna process kallas "självurladdning". Ett batteripaket som är tomt och inte laddas kan nå djupurladdning till följd av självurladdning på två månader, vilket gör att batteripaketet blir defekt. I händelse av djupurladdning blir garantin ogiltig.
  - Batteripaketet behöver inte vara helt tomt för att laddas. Batteripaketet kommer att bibehålla sitt goda skick om du laddar det efter varje användning (oberoende av utflyktssträckan). När batteriet är fulladdat avbryts laddningen automatiskt. Lampan på laddaren fortsätter att lysa grönt.
  - Om du ska förvara trampbilen under en längre tid kan du låta laddaren vara ansluten. Om detta inte är möjligt bör du ladda batteripaketet helt och koppla bort laddaren från batteripaketet. Ladda batteripaketet helt minst en gång varannan månad.
  - Se till att batteripaketet befinner sig inom temperaturgränserna nedan. Det förlänger batteripaketets livslängd och förbättrar dess prestanda. Dessutom går det inte att ladda batteripaketet eller använda servoförstärkningen utanför temperaturbegränsningarna.
- | Status                                   | Lägst (°C) | Högst (°C) |
|--|------------|------------|
| Under laddning                           | 0          | 45         |
| Under användning                         | -10        | 45         |
| Förvaring (minst 60 % av laddningsnivån) | -10        | 35         |
- Ladda alltid batteripaketet med laddaren som medföljer e-trampbilen. Använd inte någon annan laddare.
  - Ladda inte batteripaketet i direkt solljus.
  - Tappa inte batteripaketet i marken. Detta kan leda till att batteripaketet skadas.
  - Observera att e-trampbilen ger mindre förstärkning vid lägre temperaturer (under 10 °C) och att batteripaketet laddas ur snabbare.
  - Stora temperaturväxlingar kan orsaka stora skillnader i den indikerade laddningsstatusen, särskilt vid låga temperaturer och när batteripaketets laddning är låg.
  - Öppna inte batteriet, då det finns risk för elektriska stötar.
  - Håll batteriet borta från salt och syror.
  - Använd inte batteriet om det har yttre skador.
  - Kortslut inte batteriet.
  - Håll batteriet borta från värme och eld.

## 1.3 Laddvarningar

- Använd inte laddaren med andra produkter. Den är endast avsedd för fordon som drivs av litiumbatterier.
- Anslut inte laddaren till elnätet när den inte används.
- Koppla bort laddaren från batteriet innan du börjar köra trambilen.
- Se till att laddaren inte blir blöt.
- Undvik att skada laddaren.
- Använd inte laddaren om den har fått ett slag, tappats eller skadats på något sätt. Kontrollera laddaren och batteriet innan varje användning och byt ut dem om du upptäcker slitage eller skador.
- Laddaren är utformad för att användas i ett standardelnät för hushåll (200-240V eller 110V med en omvandlare). Använd inte laddaren på någon annan spänningsnivå!
- Modifiera och/eller förbikoppla aldrig elsystemet eftersom detta kan leda till risker för elektriska stötar, elchocker eller brand.
- Dra i kontakten istället för sladden när du ska ta ut laddaren ur ett uttag för att minska risken att laddaren blir skadad.
- Se till att placera sladden så att det inte är någon risk att någon trampar på eller snubblar över den eller att den utsätts för skada eller påfrestning.
- Använd endast en förlängningssladd om det är absolut nödvändigt. Om en olämplig förlängningssladd används kan detta leda till ökade risker för brand, elektriska stötar och elchocker.
- Sänk inte ned laddaren eller batteriet i vatten under rengöring, då detta kan orsaka elektriska stötar. Rengör laddarens/batteriets kontakt genom att ta ut den ur uttaget och torka av den med en torr trasa.
- Placera inga föremål ovanpå laddaren och placera inte laddaren på mjuka underlag, eftersom detta kan leda till överhettning. Håll laddaren på avstånd från värmekällor.
- Koppla bort laddaren från vägguttaget och batteriet när laddningen är slutförd. Placera batteriet och laddaren utom räckhåll för barn.
- Förvara batteriet och laddaren på en torr plats som är utom räckhåll för barn.
- Ta inte isär laddaren och försök inte att reparera den om den är skadad. Om laddaren är skadad ska du kontakta en Berg-återförsäljare.
- Apparaten är inte avsedd att användas av personer med nedsatt fysisk, sensorisk eller mental förmåga eller som saknar erfarenhet och kunskap, såvida de inte övervakas eller har instruerats i hur apparaten används av en person som ansvarar för deras säkerhet.

## 2. Användarriktlinjer

BERG eller återförsäljaren kan inte hållas ansvarig för felaktig användning av denna produkt. Läs dessa riktlinjer innan användning för att korrekt och säkert använda denna produkt. BERG kan inte hållas ansvariga om något har utelämnats i denna manual.

### 2.1 Säkerhet

BERG kan inte hållas ansvarig för eventuella utelämnanden i denna bruksanvisning. Iaktta alltid alla säkerhetsanvisningar. Om du har frågor eller är osäker på något kan du vända dig till din lokala återförsäljare eller kontakta BERG.

### 2.2 Användarinstruktioner

Använd endast din BERG-produkt enligt instruktionerna nedan. Obehörigt användande kan resultera i allvarliga skador för användaren och produkten.

#### 2.2.1 Innan användning

- Justera sätet och ratten till korrekt position, utifrån användarens storlek.
- Se till att styrningen, bromsarna och däcken fungerar korrekt och att skruvarna och muttrarna är fasta.
- Skyddande höljen som har tagits bort i underhållssyfte ska alltid sättas tillbaka på sin ursprungliga plats innan användning.
- Kontrollera däcktrycket och se till att det följer specifikationerna på däck. Se underhållsanvisningarna.
- Den vuxna ansvarar för att instruera barnet om hur produkten ska användas på ett säkert sätt.
- Instruera barnet hur man använder bromsen.

#### 2.2.2 Under användning

- Färdas i en lämplig hastighet där du har kontroll.
- Var alltid uppmärksam på omgivningen.
- Bromsa alltid produkten med hjälp av fotbromsen.
- Kör alltid på plan mark utan hinder.
- Skydd är inte obligatoriska men vi rekommenderar att de bärs för säkerhets skull.
- Se till att produkten inte kan rulla iväg när den är parkerad. Använd parkeringsbromsen för detta.
- Placera inga onödiga föremål på eller mot styrningen. Se till att styrningen alltid fungerar korrekt.
- Använd fotbromsen genom att trampa bakåt.
- Använd parkeringsbromsen för extra kraft vid bromsning.

### 2.3 Användningsbegränsningar

- Denna produkt får inte användas på allmänna vägar.
- Färdas inte baklänges i höga hastigheter. Om du gör det kan du förlora kontrollen.
- Kollisioner eller andra tricks ökar risken för skador på både användare och produkten och är inte tillåtna.
- Undvik kontakt med rörliga delar medan du färdas på produkten.
- Ta dig inte av eller på produkten medan den rör sig.
- Överbelasta inte produkten. Den maximala vikten för användare är 100 kg.
- Färdas aldrig i mörkret utan lysen.
- Kör alltid rakt nedför sluttningar och undvik att göra tvära svängar i hög hastighet, eftersom det annars finns risk att produkten välter.
- Körning i nedförsbacke ökar hastigheten avsevärt, vilket kan leda till olyckor. Bromssträcken blir också längre! Produkten får inte användas i sluttningar eller backar (upp- och nedförsbackar).

## 3. Underhåll

En del underhåll är nödvändigt för att använda BERG-produkten och ha roligt med den en lång tid. Det här kapitlet beskriver hur, hur ofta och vilket underhåll som behöver göras.

### 3.1 Underhållsschema

Dagligen	Månadsvis	Varje halvår	Årligen
<p><b>Hjul/däck</b> Kolla efter slitage. Kontrollera lufttrycket i däcken och höj trycket vid behov. Gör detta på en sval plats utan direkt solljus.</p>	<p><b>Chassi</b> Rengör och kontrollera skruvar och muttrar. Se över chassit efter sprickor.</p> <p><b>Drivmekanism</b> Kontrollera att kedjan har rätt spänning. Smörj kedjan.</p> <p><b>Styrning</b> Kontrollera alla muttrar och skruvar. Smörj de rörliga delarna. Rengör och olja kedjorna.</p>	<p><b>Drivmekanism</b> Kontrollera att kullager, kedja, nav, kedjehjul och axlar fungerar korrekt.</p>	<p><b>Plastdelar</b> Rengör platsdelarna och kontrollera efter skador.</p>

### 3.2 Underhållsaktiviteter

I det här kapitlet beskrivs hur, när och vilken typ av underhåll som måste utföras.

#### 3.2.1 Chassi

- Chassit är antingen pulverlackerat eller svart förzinkat. För att förhindra att rost bildas är det viktigt att regelbundet rengöra chassit. Om du vill bevara det med smörjfett, använd endast syrafria ämnen. Du kan behandla skadade ämnen med färg.
- Se över skruvarna och muttrarna efter rost och ersätt dem för att förhindra att de går sönder, vilket kan orsaka skador.

#### 3.2.2 Hjul och däck

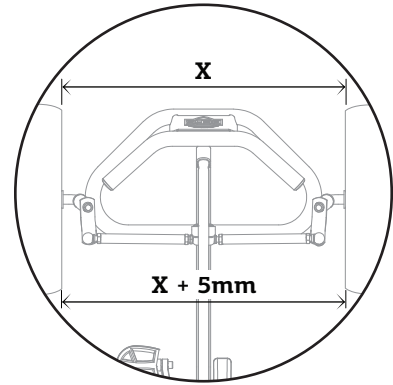
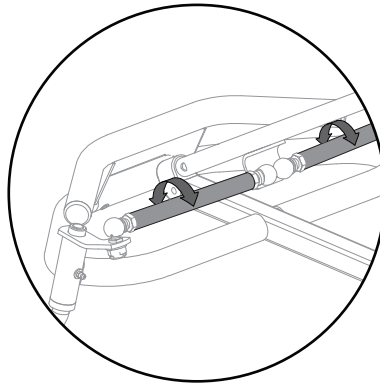
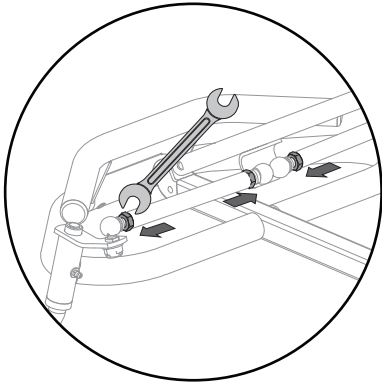
- Undersök regelbundet fälgarna och däcken efter skador (till exempel jack, sprickor och bulor). OBS! Skadade fälgar och däck kan leda till olyckor! Däcken får inte komma i kontakt med olja, fett eller bränsle.
- Det korrekta däcktrycket visas på utsidan av däckets. Om däcken har rätt tryck kommer produkten att vara lätt och enkel att hantera. Om trycket är för lågt kommer däcken att förlora luft snabbare och slitas mer. Om däcktrycket är för högt kan däckets till exempel lossna från fälgen, vilket kan leda till farliga situationer. OBS! Kom ihåg att i starkt solljus och vid högra temperaturer ökar däcktrycket! Däcken får inte komma i kontakt med olja, fett eller bränsle. Se till att ventilhattarna alltid sitter på ventilerna.



### 3.2.3 Styrning

Styrningsutrustningen måste kontrolleras varje månad efter följande:

- Skada, rost och slitage.
- Alla skruvar och muttrar måste dras åt.



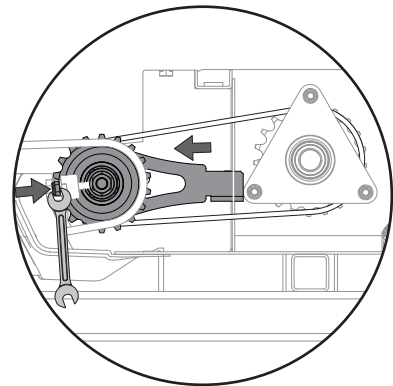
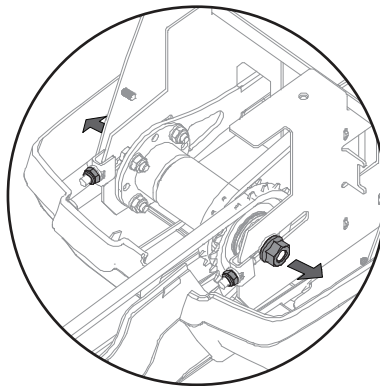
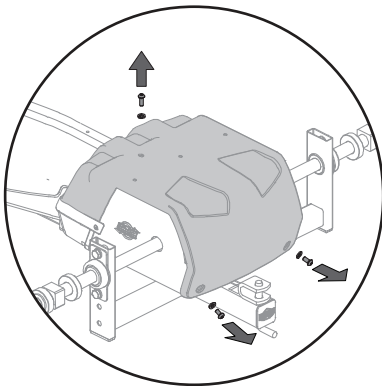
### 3.2.4 Drivmekanism

#### Kedja

Gokarten har en drivmekanism med två kedjor. Se till att kedjorna är tillräckligt oljade så att de kan röra sig fritt. Om en kedja är för hårt spänd blir produkten svårare att trampa och det är stor risk för att slitage på bland annat kedjan och kedjehjulet sker snabbare. Om en kedja inte är tillräckligt spänd kan den lätt lossna från kedjehjulet, och det är risk att kedjeskyddet tar skada. När båda kedjor behöver spännas, börja alltid med den bakre/korta kedjan.

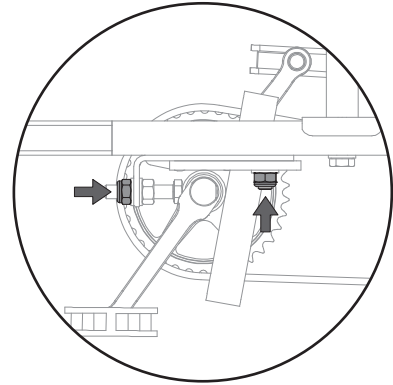
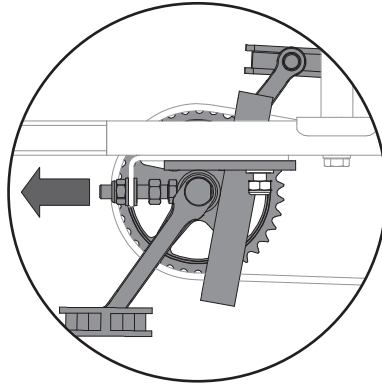
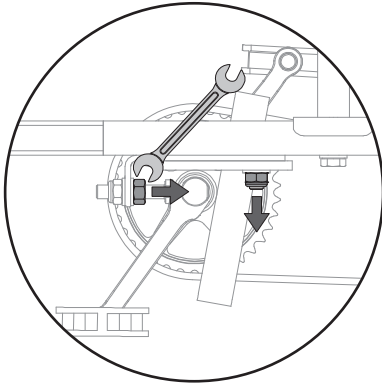
För att spänna den bakre kedjan:

- Ta bort den skyddande huven.
- Lossa muttrarna på navet.
- Spänn kedjan genom att föra navet framåt.
- Se till att navet förblir exakt parallellt med den bakre axeln.
- Skruva åt navets muttrar igen.
- Kedjan har rätt spänning om mitten kan tryckas nedåt 6 millimeter.
- Dra åt de fyra skruvarna igen. Håll kedjehjulet parallellt med kedjeskyddet.
- Sätt på kedjeskyddet när kedjan har rätt spänning.
- Kedjeskyddet måste tas bort för att smörja kedjan och kolla kedjans spänning.



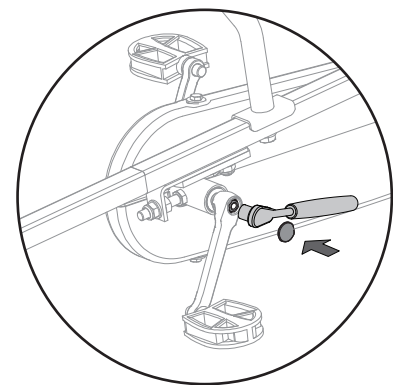
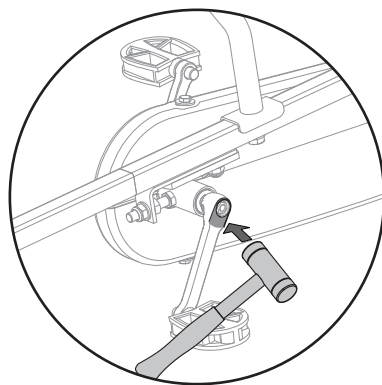
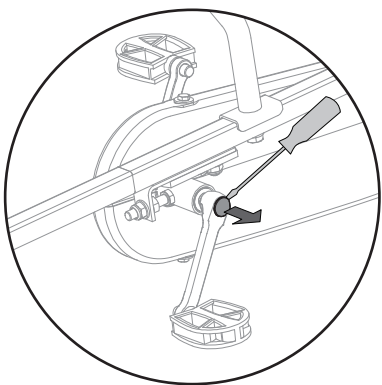
Att spänna den främre kedjan:

- Lossa på skruvarna på vevaxeln på chassits undersida.
- Spänn kedjan genom att föra vevaxeln framåt.
- Dra åt skruvarna igen. Det måste gå att trycka mitten av kedjan nedåt med 1 centimeter. För att kontrollera detta måste du ta bort den undre halvan av kedjeskyddet.



### Justering av vevaxel

Efter att produkten har använts i flera dagar (intensiv användning) eller i upp till två veckor (normal användning) efter inköp behöver de skruvar som håller fast höger och vänster vevaxel skruvas åt på nytt (se illustrationen nedan). Observera att de måste dra åt "för hand", det vill säga med en kraft av högst 30 Nm. (Det är en normal effekt efter en kort periods användning att vevmekanismen sätter sig, som ett resultat av kraften mot tramporna.) En effekt när detta inte görs regelbundet är att visst svajande kan inträffa, vilket kan skada veven och vevaxeln. Detta svajande kan åtgärdas av att man drar åt skruvarna ytterligare.



### Nav

Bromsfrihjulet fungerar som en bakåtbroms och har ett neutralläge. Bromsfrihjulet kan användas för att backa. Kedjespänningen måste kontrolleras var sjätte månad.

### 3.2.5 Plastdelar

Plast- och/eller trädelarna måste kontrolleras regelbundet efter skador eller sprickor. Om skador uppstår måste du genast ersätta den aktuella delen med en originaldel, för att garantera användarens säkerhet.

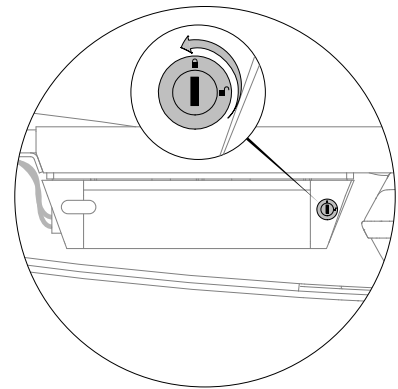
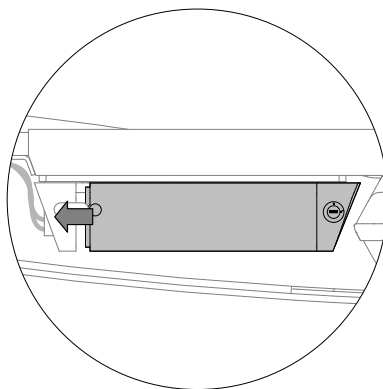
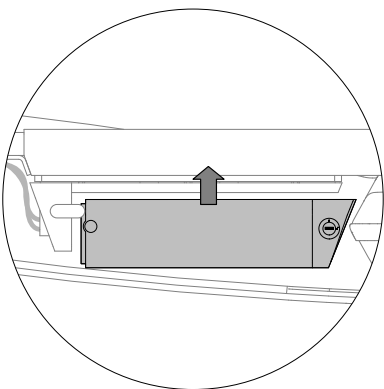
## 4. Elektroniska komponenter

### 4.1 Batteripaketet

#### 4.1.1 Montera batteripaketet

- Sätt i nyckeln i låset.
- Se till att nyckeln sitter i det olåsta läget.
- Skjut försiktigt batteripaketet längs med styrskenan tills baksidan sitter mot framsidan utan att det är någon glipa mellan dem.
- Vrid nyckeln till det låsta läget.
- Ta ut nyckeln och förvara den utom räckhåll för barn.
- Se till att laddningskontaktens skydd är stängt.
- Kontrollera att batteripaketet är fastlåst genom att dra det bakåt.
- Se till att förvara nycklarna på ett säkert ställe.
- Kontrollera kontaktytan mellan batteripaketet och dockningsstationen om batteriet inte fungerar. Dockningsstationen måste vara ren och torr för att e-trampbilen ska fungera ordentligt. Använd vid behov en ren trasa för att rengöra den. Stora mängder fukt och smuts kan leda till kontaktproblem och/eller kontaktfel. Kontakta en återförsäljare om problemet kvarstår.

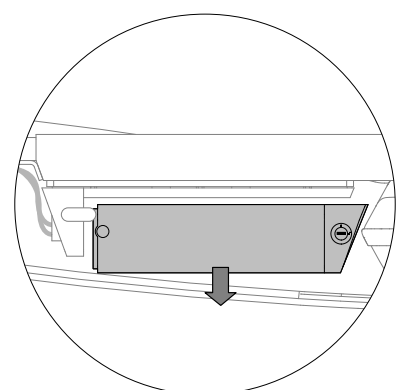
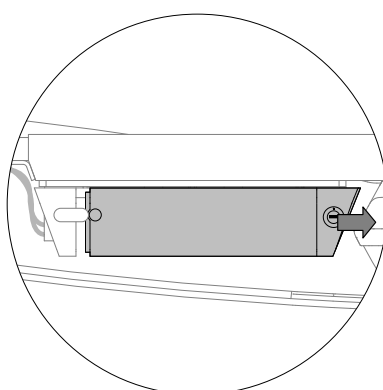
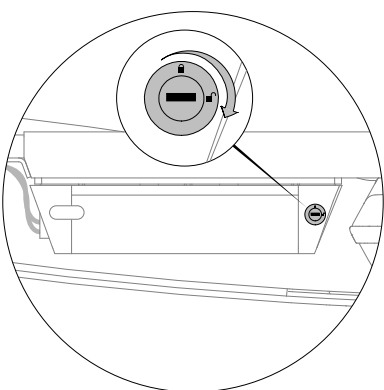
Ett batteripaket som har monterats på korrekt sätt kan inte längre tas bort utan en nyckel.



#### 4.1.2 Ta bort batteripaketet

- Se till att laddningskontaktens skydd är stängt.
- Sätt i nyckeln i låset.
- Vrid nyckeln till det olåsta läget.
- Ta bort batteriet genom att först föra det mot det bakre kedjeskyddet och sedan föra det nedåt.

Använd alltid båda händerna när du tar bort batteripaketet för att förhindra att batteripaketet faller ned på marken.

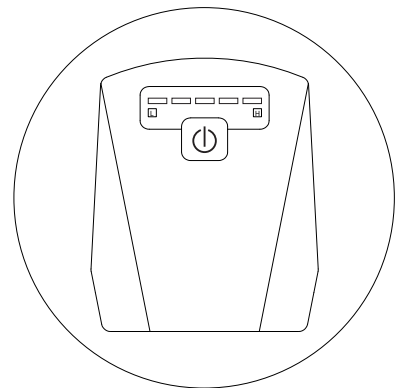
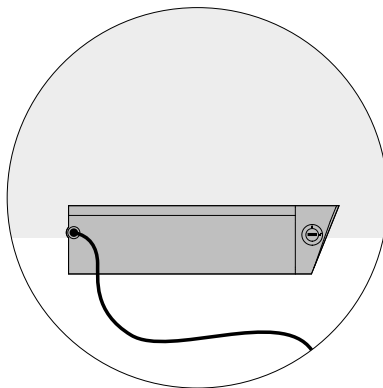
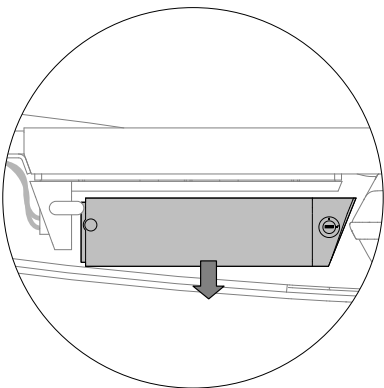


## 4.2 Laddaren

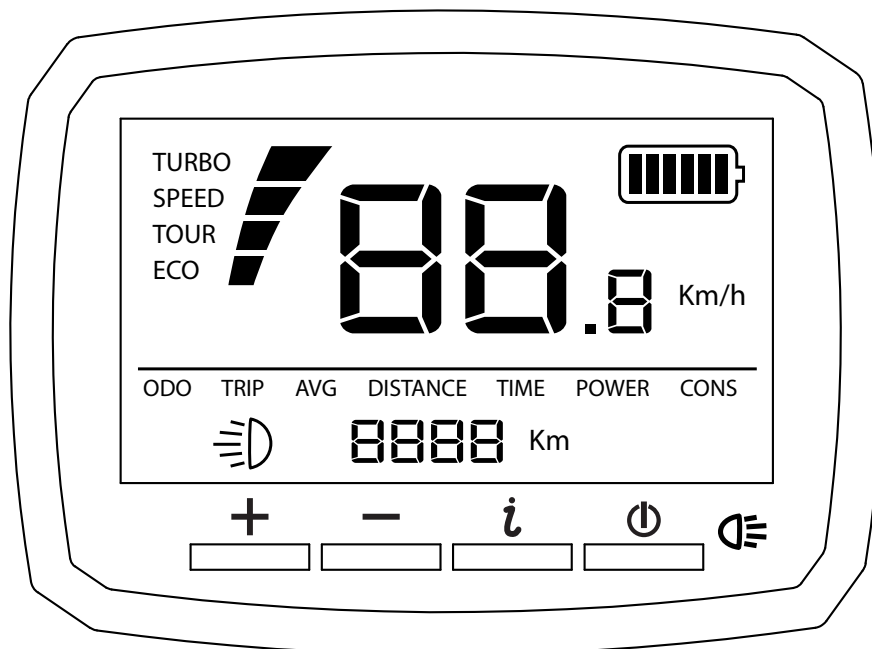
Den genomsnittliga laddningstiden är sex timmar (för ett tomt batteri).

### Ladda batteripaketet

- Batteriladdaren får endast användas av vuxna.
  - Kontrollera om huvudsladden är ansluten till laddaren.
  - Anslut laddaren till elnätet. Den gröna indikatorlampan tänds.
  - Anslut kontakten till batteriets laddningspunkt.
  - När du trycker på off-knappen visar LED-lamporna på batteripaketet batteriets laddning. Varje grön LED-lampa motsvarar 25 % av laddningen.
  - Batteripaketet är fulladdat när laddaren lyser grönt.
- Batteriet kan endast laddas separat från trampbilen.



## 4.3 Skärmen



### 4.3.1 Specifikationer

Typ:	VLCD-5
Arbetsspänning:	DC11V-60V
Högsta arbetsströmstyrka:	70mA(11V) 32mA(50V)
Bakgrundsbelysningens styrka:	200cd/m <sup>2</sup>

## 4.3.2 Funktionsbeskrivning

- Hastighetsindikator  
Visar den aktuella hastigheten.
- Förbrukningsindikator  
Sex horisontella staplar visar batteriets energinivå (varje stapel motsvarar 16 procent av elenergin), vilka blinkar för att påminna dig om att ladda batteriet.
- Utflyktssträcka (TRIP, nollställs när strömmen är avstängd)  
Visar hur långt du kört under en utflykt.
- Vägmätare (ODO)  
Visar den totala sträckan.
- Genomsnittlig hastighet (AVG)  
Visar den genomsnittliga hastigheten.
- Servoförstärkning (POWER)  
Visar servoförstärkningen. Fyra justerbara nivåer för servoförstärkning.
- Bakgrundsbelysning för skärmen  
Växla mellan två nivåer av ljusstyrka. Standardinställningen är ingen bakgrundsbelysning.

## 4.3.3 Användningsinstruktioner

### Knappbeskrivningar

- + Mer/högre
- Mindre/lägre
- ⌵ Meny
- ⏻ På/av och bakgrundsbelysning

⏻ Tryck på knappen för att slå på strömmen, och håll in den i två sekunder för att stänga av strömmen. Systemet stängs automatiskt av efter fem minuter om det inte används.

+ / – Det finns fyra nivåer av servoförstärkning (Eco, Tour, Speed och Turbo). Tryck på de här knapparna för att justera servoförstärkningen från låg till hög.

⌵ Det finns fyra sidor för olika lägen (vägmätare, utflyktssträcka, genomsnittlig hastighet, envägstid). Tryck på den här knappen för att justera läget.

### Basfunktioner

- Använd knappen ⏻ för att tända bakgrundsljuset när strömmen är på.
- Gå till utflyktssträcka (TRIP) i menyn och tryck på knappen ⌵ i två sekunder för att nollställa räknaren och tiden.
- Under genomsnittlig hastighet (AVG) i menyn visas den genomsnittliga hastigheten (genomsnittlig hastighet = utflyktssträcka/körtid).
- Under körtid (TIME) i menyn visas tiden för en enstaka utflykt.

### Felkoder

Felkod	Typ av fel	Så här löser du felet
ERR-01	Fel i sensorn	Kontakta en lokal återförsäljare
ERR-02	Fel i motorn eller motorkortslutning	Starta om motorn med knappen ⏻
ERR-03	Fel i styrenheten	Kontakta en lokal återförsäljare
ERR-05	Larm om låg energi	Ladda batteriet
ERR-06	Förarens fötter är på pedalerna när trampbilen startas	Starta om trampbilen utan att ha fötterna på pedalerna

#### 4.4 Räckviddsangivning

Räckvidden är avhängig av flera faktorer och påverkas av följande förhållanden:

- Batteriets kapacitet (Ah) och spänning (V)
- Mängden pedalhjälp
- Pedalhjälpsläget eller körprogrammet
- Den omgivande temperaturen
- Vindstyrkan
- Däcktrycket
- Körhastigheten
- Förarens och lastens vikt
- Körbeteende
- Vägförhållanden
- Användning av växlarna
- Räckvidden kommer gradvis att sjunka i takt med att batteripaketet åldras.

#### 4.5 Underhåll och kassering av batteriet

##### Underhåll

- Om batteriet börjar läcka ska du undvika att komma i kontakt med syran och lägga det skadade batteriet i en förslutbar plastpåse.
- Om syran kommer i kontakt med huden eller ögonen ska du skölja det kontaminerade området med kallt vatten i åtminstone 15 minuter och omedelbart kontakta en läkare.
- Ladda ett nytt batteri i minst 12 timmar innan det används för första gången.
- Om batteriet laddas för mycket eller för lite kan detta leda till att batteriets livslängd och fordonets drifttid förkortas.
- Ladda batteriet efter varje användning, oavsett hur lång tid fordonet har använts.
- Låt inte batteriet laddas ur helt innan du laddar det.
- Byt ut batteriet innan du ställer fordonet i förvaring.
- Ladda batteriet i minst tre timmar var tredje månad när det inte används.
- Om du låter batteriet förbli urladdat kommer det att förstöras.
- Om fordonet ska stå i förvar i mer än två månader ska du se till att koppla bort motorkablaget från batteriet.
- Se till att batteriet inte kan röra sig fritt i batterifacket.
- Kontrollera om batteriet, laddaren och dess kontakt har slitits hårt eller skadats varje gång du byter batteri. Om du upptäcker några skador ska du undvika att använda laddaren eller batteriet tills du har bytt ut den slitna eller skadade delen.
- Kom ihåg att ta bort batteriet från fordonet när det är uttjänt.
- Om batteriet läcker eller korroderar kan fordonet skadas.
- Rengör inte batteriet med en högtrycksvätt.
- Ta bort batteriet från fordonet när det inte används.

##### Kassering av batteriet och laddaren



- Återvinn batteriet och laddaren på ett miljövänligt sätt.
- Kassera inte batteriet genom att bränna det, eftersom batteriet kan fatta eld eller explodera.
- Kassera inte batteriet bland vanliga hushållssopor. Det är förbjudet att bränna, deponera eller blanda batterier med hushållssopor.
- Återlämna uttjänta batterier till en erkänd återvinningsstation. Kontakta de lokala avfallshanteringsansvariga för mer information om miljövänlig insamling, återvinning och kassering av batterier.

## 5. Garanti

### 5.1 Garantiperiod

Ägaren av denna BERG-produkt har följande garanti för produkten:

- Chassit har en garanti på 2 år från inköpsdatumet.
- Andra delar har en garanti på 1 år från inköpsdatumet.
- Delar som är mottagliga för slitage (som kedjor och däck) utesluts från garantin.
- Se [www.bergtoys.com](http://www.bergtoys.com) för utförliga garantivillkor.

### 5.2 Garantiregler

Produktens ägare kan endast göra anspråk på garantin genom att visa originalkvittot från köpet.

Garantin gäller endast för fel i material och konstruktion med avseende till denna produkt och dess delar.

Garantin gäller inte om:

- Produkten används oriktigt eller vårdslöst.
- Produkten används på ett sätt som inte stämmer överens med dess syfte.
- Produkten inte monteras och underhålls i enlighet med användarmanualen.
- Tekniska reparationer av produkten inte görs på ett professionellt vis.
- Delar monterade i efterhand inte möter tekniska specifikationer för den aktuella produkten eller inte har monterats korrekt.
- Tillagda eller ersatta delar inte är officiella reservdelar eller tillbehör från BERG.
- Brister uppstår som ett resultat av väder och klimat, som rost eller normalt slitage på färgen.
- Produkten har använts till uthyrning eller på något annat vis gjorts tillgänglig till flera ospecificerade personer.
- Batteripacken, displayen eller laddaren hittas öppnas.

BERG kan inte under några omständigheter hållas ansvariga för skador på produkten (eller dess delar) till följd av:

- Inkorrekt justering/åtskruvning av styrningen, styrningsmekanismen, kedjor och däck.
- Att byte av delar som kedjan och däcken inte har gjorts i tid.

Under garantiperioden kommer alla fel på material eller konstruktion som fastställts av BERG att repareras eller ersättas enligt BERGs godtycke.

Ägaren av produkten kan endast åberopa denna garanti genom att besöka det företag som sålde produkten. Förutom klagomålet, ta med dig produktens serienummer och det ursprungliga inköpskvittot. Du kan hitta serienumret på produktens ram.

Om garantibegäran inte godkänns måste alla kostnader som uppstått betalas av ägaren.

Garantin kan inte föras över till tredje part.



## Product registration

### Would you like additional warranty free of charge?\*

Don't forget to register your product online immediately after purchase via [www.bergtoys.com/registration](http://www.bergtoys.com/registration). You will receive a 3-year additional frame warranty on your purchase.

\*Read the terms and conditions on [www.bergtoys.com/registration](http://www.bergtoys.com/registration)

### Wil je extra gratis garantie?\*

Vergeet je product dan niet online te registreren direct na aankoop via [www.bergtoys.com/registration](http://www.bergtoys.com/registration). Hiermee krijg je 3 jaar extra framegarantie op jouw aankoop.

\*Bekijk de voorwaarden op [www.bergtoys.com/registration](http://www.bergtoys.com/registration)

### Möchtest du eine kostenlose Zusatzgarantie?\*

Vergiss dann nicht, dein Produkt gleich nach dem Kauf unter [bergtoys.com/registration](http://www.bergtoys.com/registration) online zu registrieren! Du erhältst dann 3 Jahre zusätzliche Garantie auf den Rahmen deines neuen Produkts!

Die Bedingungen hierfür findest du auf [www.bergtoys.com/registration](http://www.bergtoys.com/registration).

### Veux-tu une extension gratuite de la garantie?\*

N'oublie pas d'enregistrer ton produit en ligne directement après l'achat via [www.bergtoys.com/registration](http://www.bergtoys.com/registration). Cela te donne 3 ans de garantie supplémentaires sur le cadre du produit acheté.

\*Consulte les conditions sur [www.bergtoys.com/registration](http://www.bergtoys.com/registration)

### ¿Quieres garantía adicional gratis?\*

Entonces no olvides registrar tu producto online directamente después de la compra a través de [www.bergtoys.com/registration](http://www.bergtoys.com/registration). Así obtendrás 3 años de garantía adicional para el cuadro/estructura de tu producto.

\*Consulta para las condiciones [www.bergtoys.com/registration](http://www.bergtoys.com/registration)

### Desideri una garanzia aggiuntiva gratuitamente? \*

Non dimenticarti di registrare il prodotto on line immediatamente dopo l'acquisto su [www.bergtoys.com/registration](http://www.bergtoys.com/registration). Riceverai una garanzia aggiuntiva per il telaio di 3 anni sul tuo acquisto.

\*Leggere i termini e le condizioni su [www.bergtoys.com/registration](http://www.bergtoys.com/registration)

### Vil du gerne have yderligere garanti uden at betale ekstra?\*

Husk at registrere dit produkt online umiddelbart efter købet på [www.bergtoys.com/registration](http://www.bergtoys.com/registration). Så får du en stelgaranti på yderligere 3 år.

\*Læs vilkårene og betingelserne på [www.bergtoys.com/registration](http://www.bergtoys.com/registration)



[www.bergtoys.com/registration](http://www.bergtoys.com/registration)

**BERGTOYS.COM**