

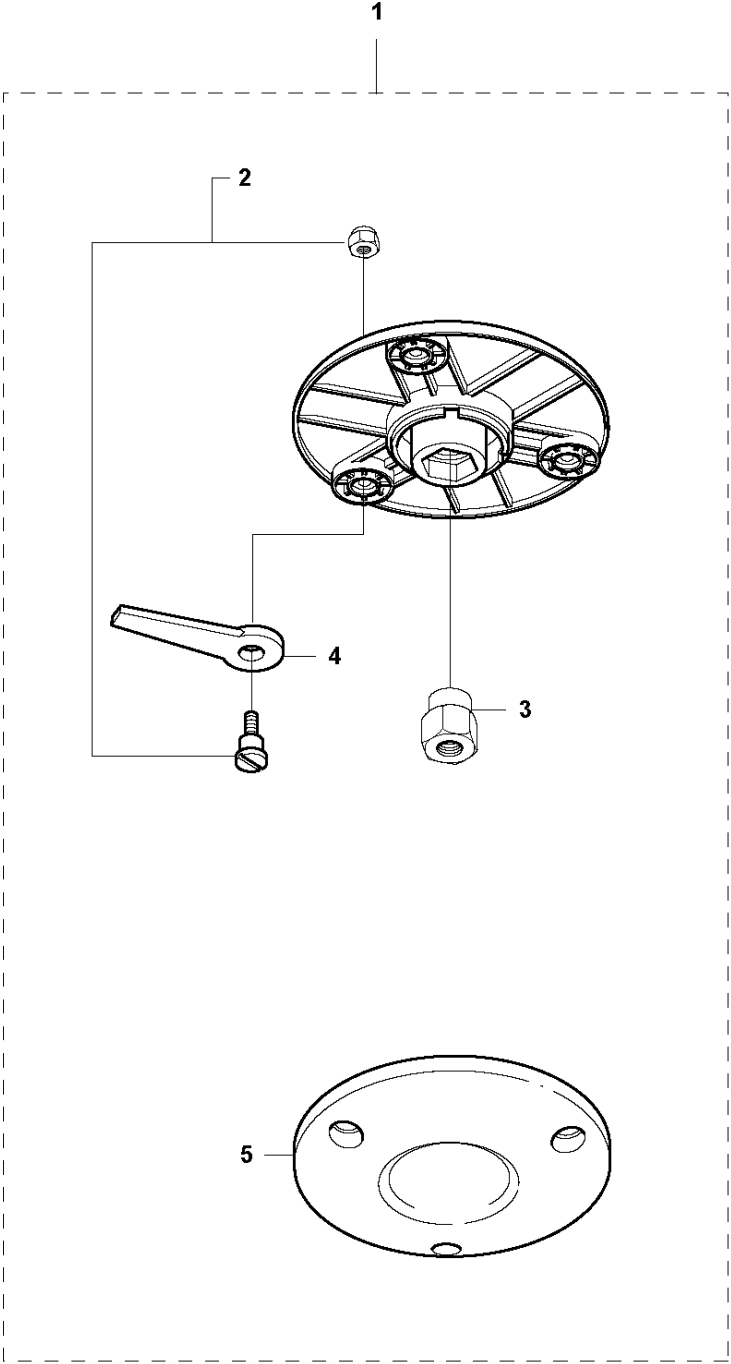


SPARE PARTS LIST

ACCESSORIES AND TOOLS

TRI CUT, 578449101, 578449301

A TRIMMER HEAD
TRI CUT M10X1.25 (300MM)
TRI CUT M12X1.75 (300MM)



TRIMMER HEAD

TRI CUT, 578449101, 578449301

Ref	Part No	Description	Remark	QTY KIT	
1	537 02 25-01	TRIMMER HEAD	M10. Not for sale - order no 578 44 91-01	1	
1	537 02 25-02	TRIMMER HEAD	M12. Not for sale - order no 578 44 93-01	1	
2	531 00 42-06	SCREW		1	1
3	531 00 42-02	ADAPTER	M10	1	1
3	531 00 42-03	ADAPTER	M12	1	1
4	531 01 77-15	PLASTIC BLADES	300MM	3	1
5	531 01 77-17	COVER		1	1