



rollytoys Kundendienst Deutschland:

Tel: +49 (0) 95 68 / 856-142

Fax: +49 (0) 95 68 / 856-183

e-mail: service@rollytoys.de

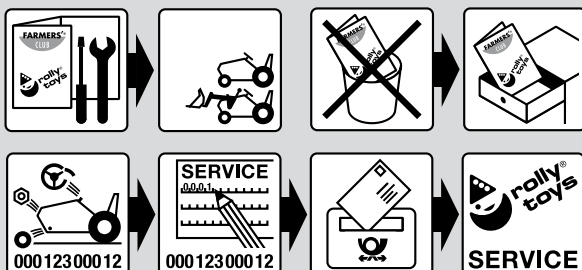
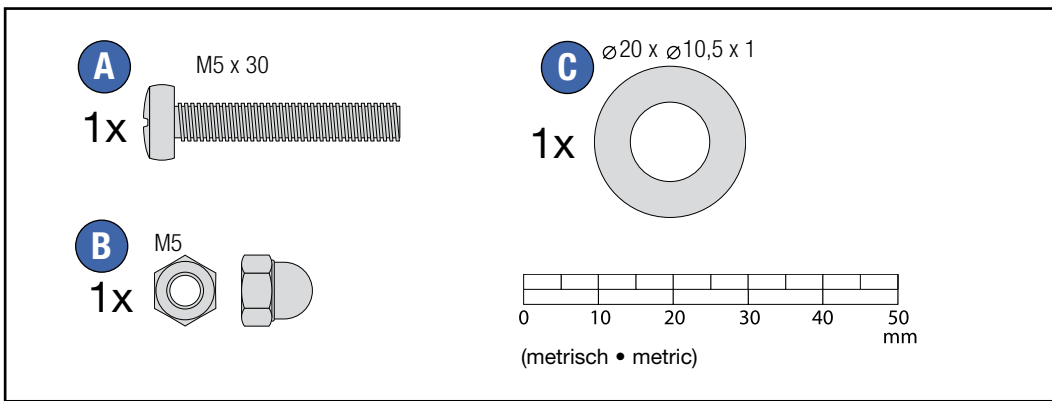
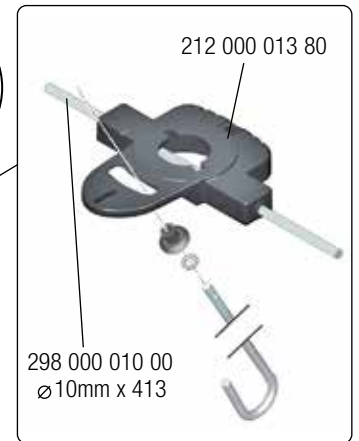
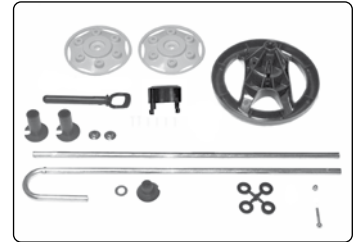
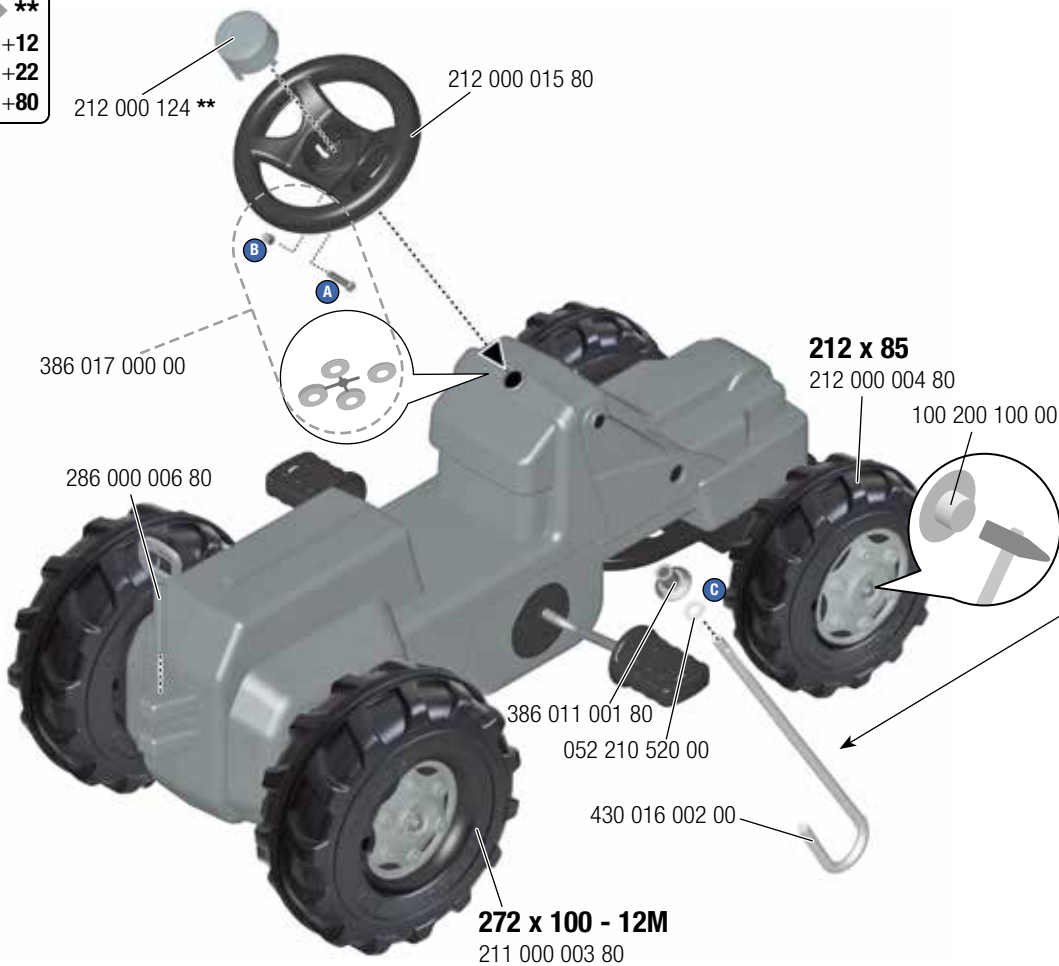
Plattform / Platform

01 \*\*\* \*, 02 \*\*\* \*

2021/02

010.000.808.00

- \*\*
- +12
- +22
- +80



made in Germany



Franz Schneider GmbH & Co KG

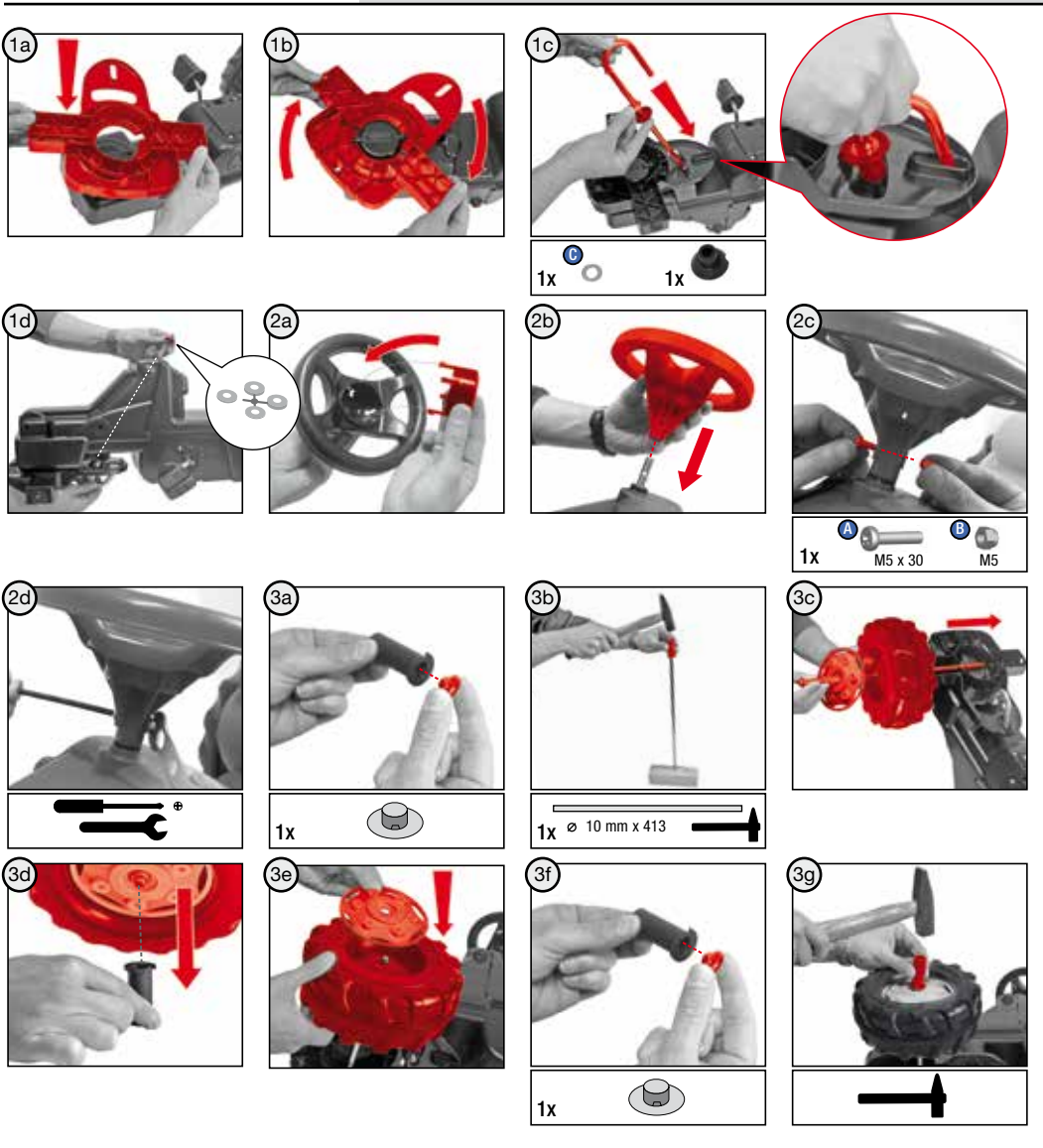
P.O.Box 1460

D-96459 · Neustadt bei Coburg · Germany

Tel.: +49 (0) 95 68 / 856-0

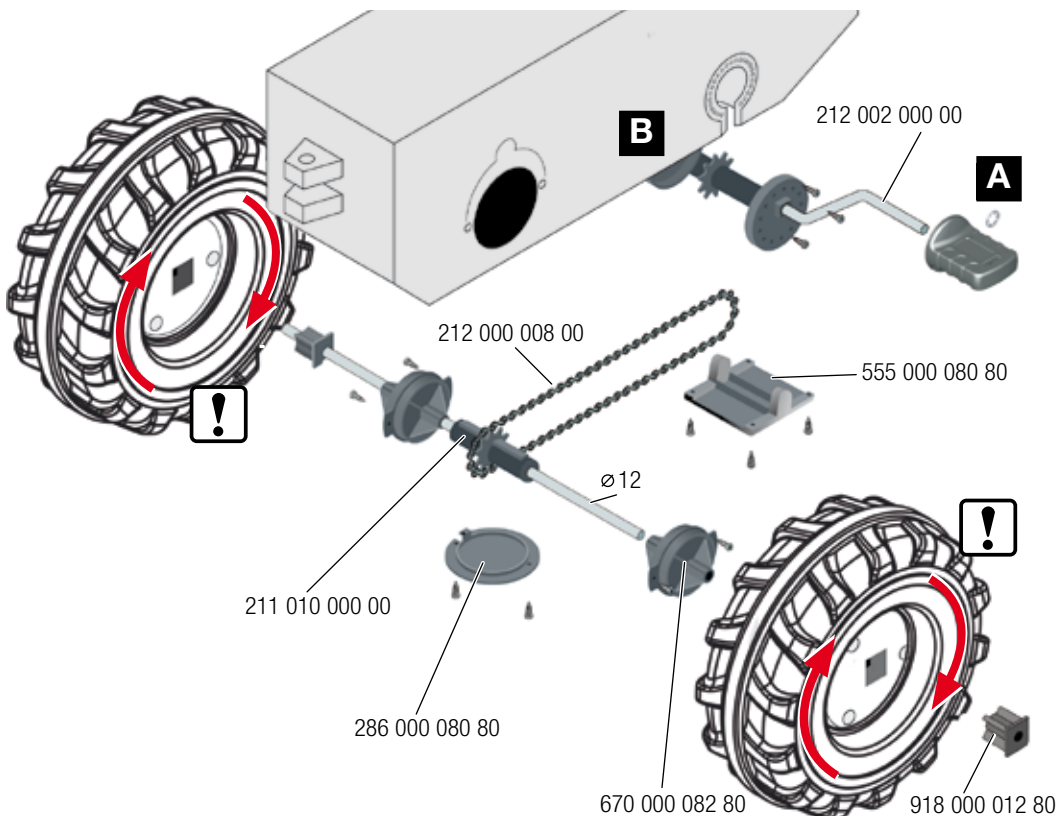
Fax.: +49 (0) 95 68 / 856-190

www.rollytoys.com



## **WARNING**

- CHOKING HAZARD - Small parts, Danger of being swallowed. Contains small parts in non assembled state. Must be assembled by adults.
- If toy is defective stop using it, repairs may only be carried out by adults.
- Adult supervision required.
- Never use near steps, slopes, driveways, hills, roadways, alleys or swimming pool areas.
- Always wear shoes.
- Never allow more than one rider.
- The use of protective gear and safety helmet is highly recommended.
- Conforms to the requirements of ASTM Standard Consumer Safety Specification on Toy Safety, F 963.



--- NORTH & SOUTH AMERICA only ---

## 180 days warranty

From the date of purchase + guaranteed spare part service

The warranty does not cover damages caused by improper use or neglect