

# Halfpipe Trailer



rolly toys Kundendienst Deutschland:

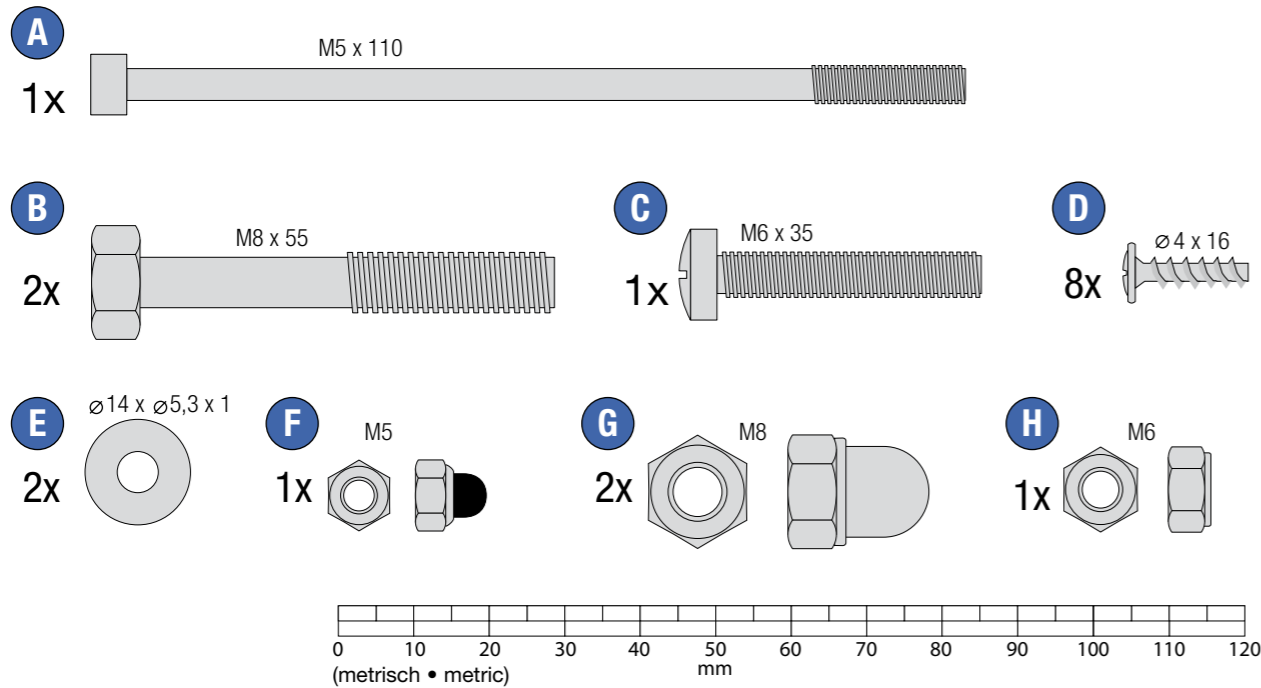
Tel: +49 (0) 95 68 / 856-142

Fax: +49 (0) 95 68 / 856-183

e-mail: service@rollytoys.de

2021/04

217.000.800.00



## WARNING:

**CHOKING HAZARD – Small parts.**  
Not for children under 3 years.

- CHOKING HAZARD - Small parts, Danger of being swallowed. Contains small parts in non assembled state. Must be assembled by adults.
- Toy is not suitable to carry children.
- If toy is defective stop using it, repairs may only be carried out by adults.
- Adult supervision required.
- Never use near steps, slopes, driveways, hills, roadways, alleys or swimming pool areas.
- Always wear shoes.
- Conforms to the requirements of ASTM Standard Consumer Safety Specification on Toy Safety, F 963.

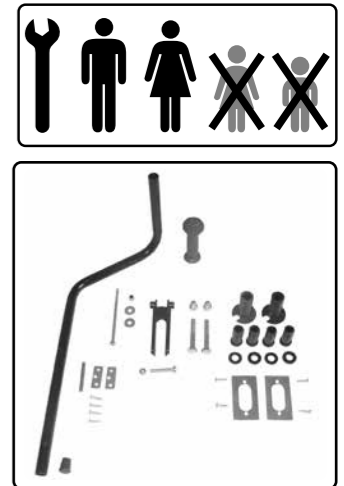
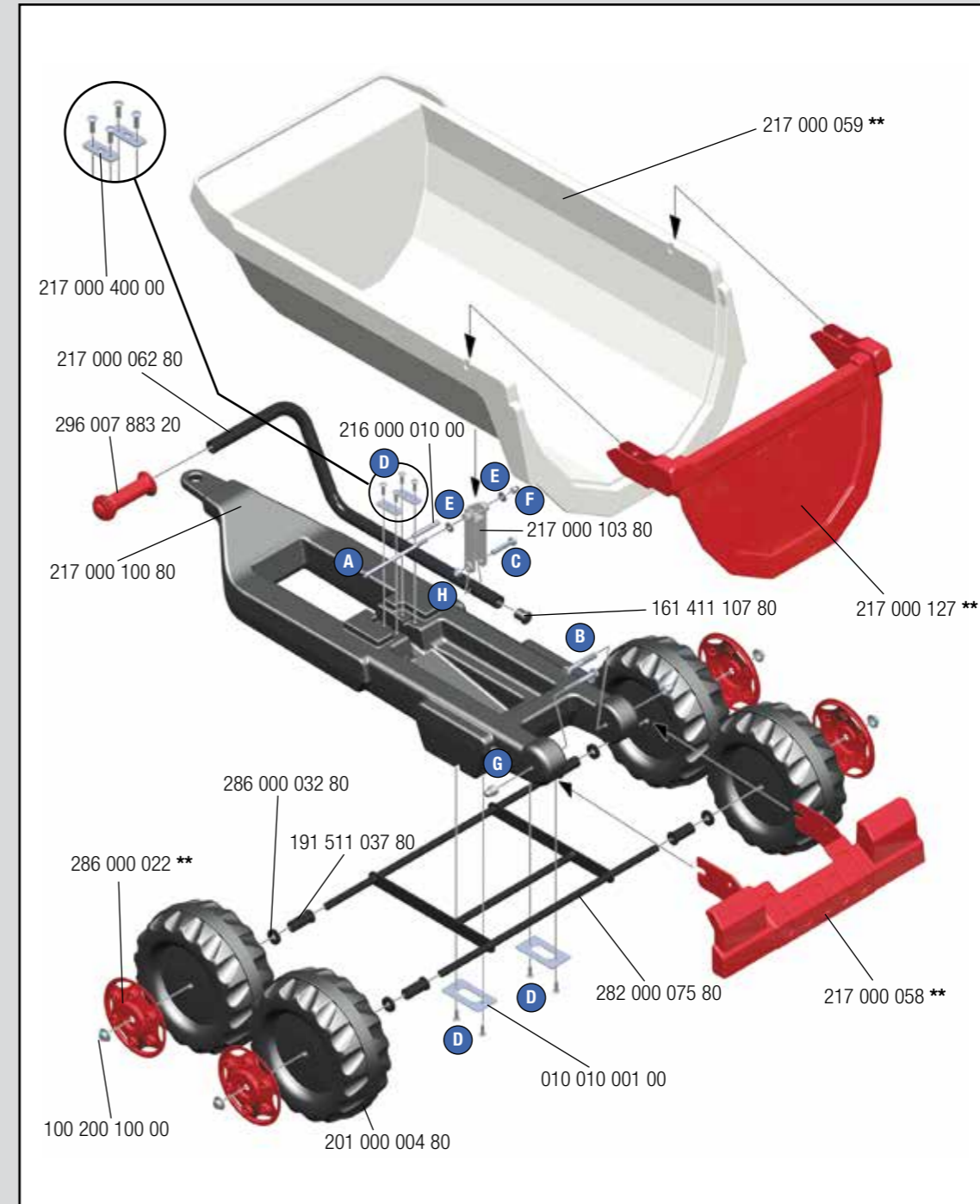
<input type="checkbox"/>	rolly Dreiradtraktoren	05 ••••
<input type="checkbox"/>	rollyMinitrac	13 ••••
<input type="checkbox"/>	rollyKid	01 •••• / 02 ••••
<input checked="" type="checkbox"/>	rollyJunior	80 •••• / 81 ••••
<input checked="" type="checkbox"/>	rollyFarmtrac	60 •••• / 61 ••••
<input checked="" type="checkbox"/>	rollyFarmtrac Classic	03 •••• / 04 ••••
<input checked="" type="checkbox"/>	rollyFarmtrac Premium	70 •••• / 71 ••••
<input checked="" type="checkbox"/>	rollyX-Trac	03 •••• / 04 ••••
<input checked="" type="checkbox"/>	rollyTruck (Unimog)	03 ••••

---NORTH & SOUTH AMERICA only---

**180 days warranty**

From the date of purchase + guaranteed spare part service

The warranty does not cover damages caused by improper use or neglect



→ **	+10
●	+12
●	+13
●	+20
●	+22
●	+23
●	+26
●	+30
●	+37
●	+40
●	+41
●	+44
●	+47
●	+51
●	+54
●	+70
●	+75
●	+80



Franz Schneider GmbH & Co KG  
P.O.Box 1460  
D-96459 · Neustadt bei Coburg · Germany  
Tel.: +49 (0) 95 68 / 856-0  
Fax.: +49 (0) 95 68 / 856-190  
www.rollytoys.com

