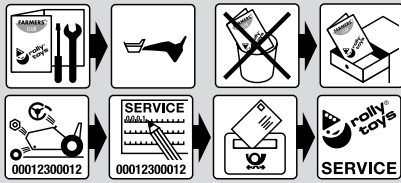


# rollyki Lader

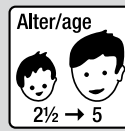


rolly toys Kundendienst Deutschland:

Tel: +49 (0) 95 68 / 856-142

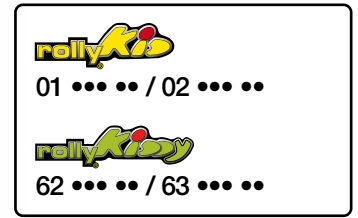
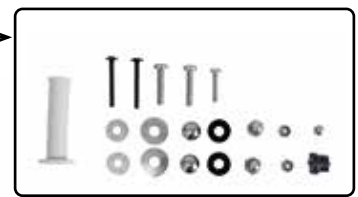
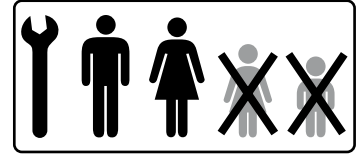
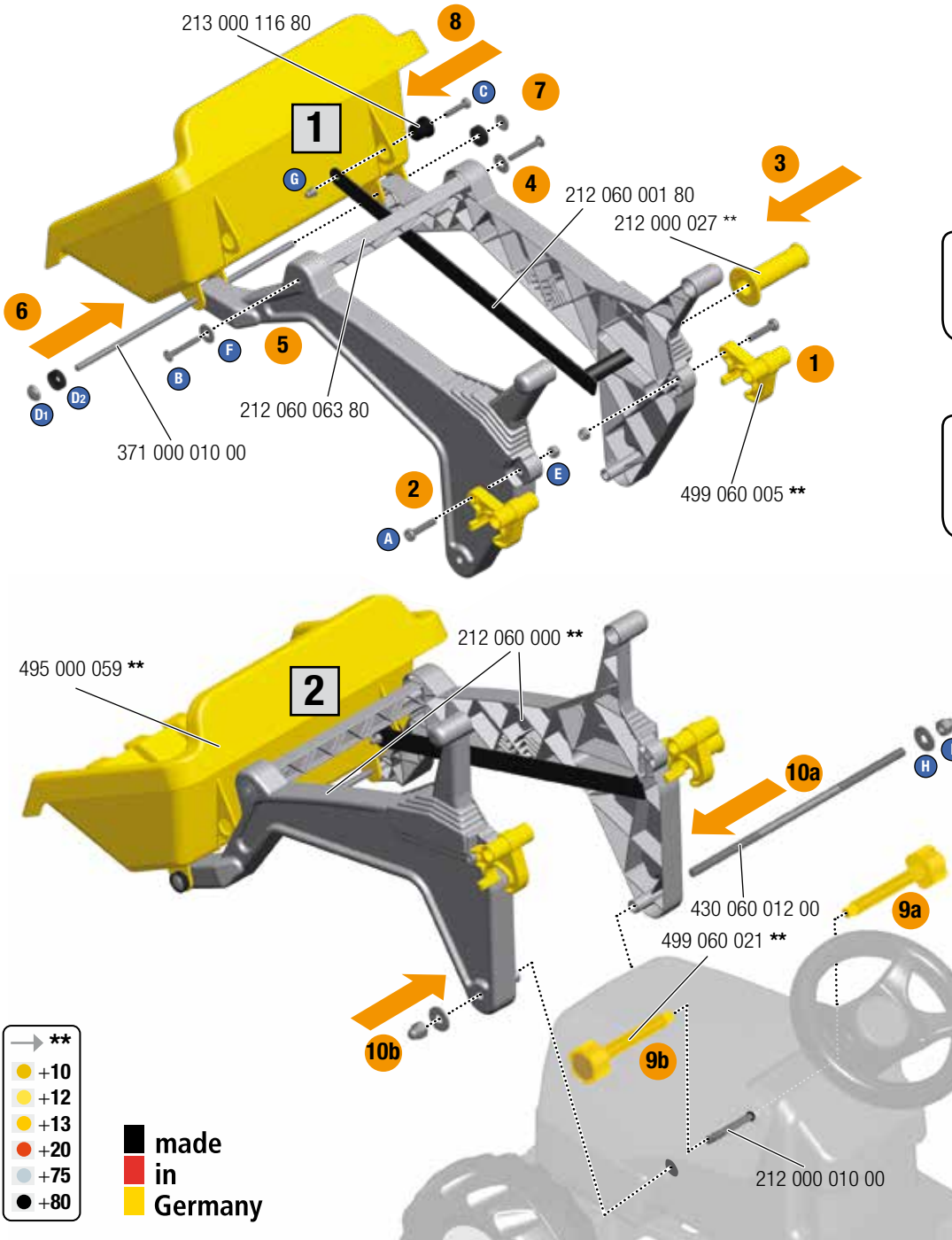
Fax: +49 (0) 95 68 / 856-183

e-mail: service@rollytoys.de



2021/02

931.000.800.00



- \*\*
- +10
- +12
- +13
- +20
- +75
- +80

made in Germany



---NORTH & SOUTH AMERICA only---

**180 days warranty**

From the date of purchase + guaranteed spare part service  
The warranty does not cover damages caused by improper use or neglect

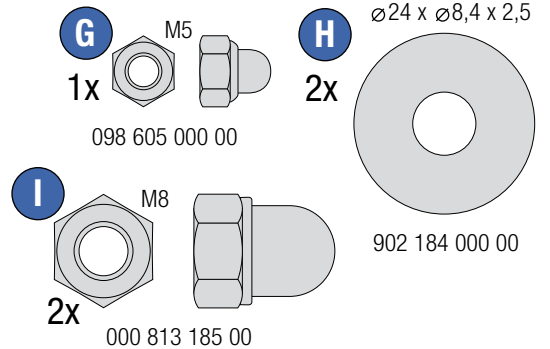
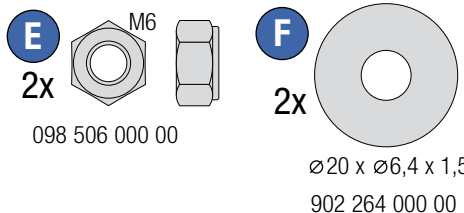
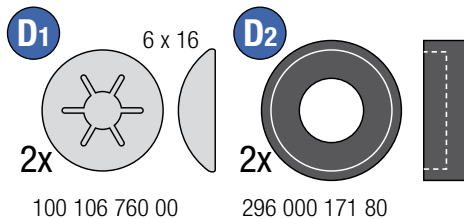
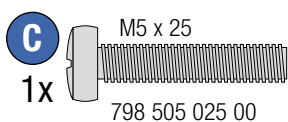
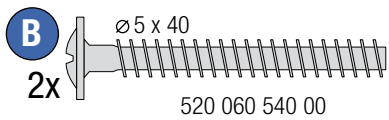
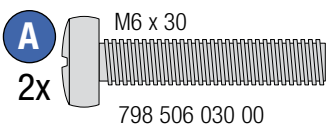
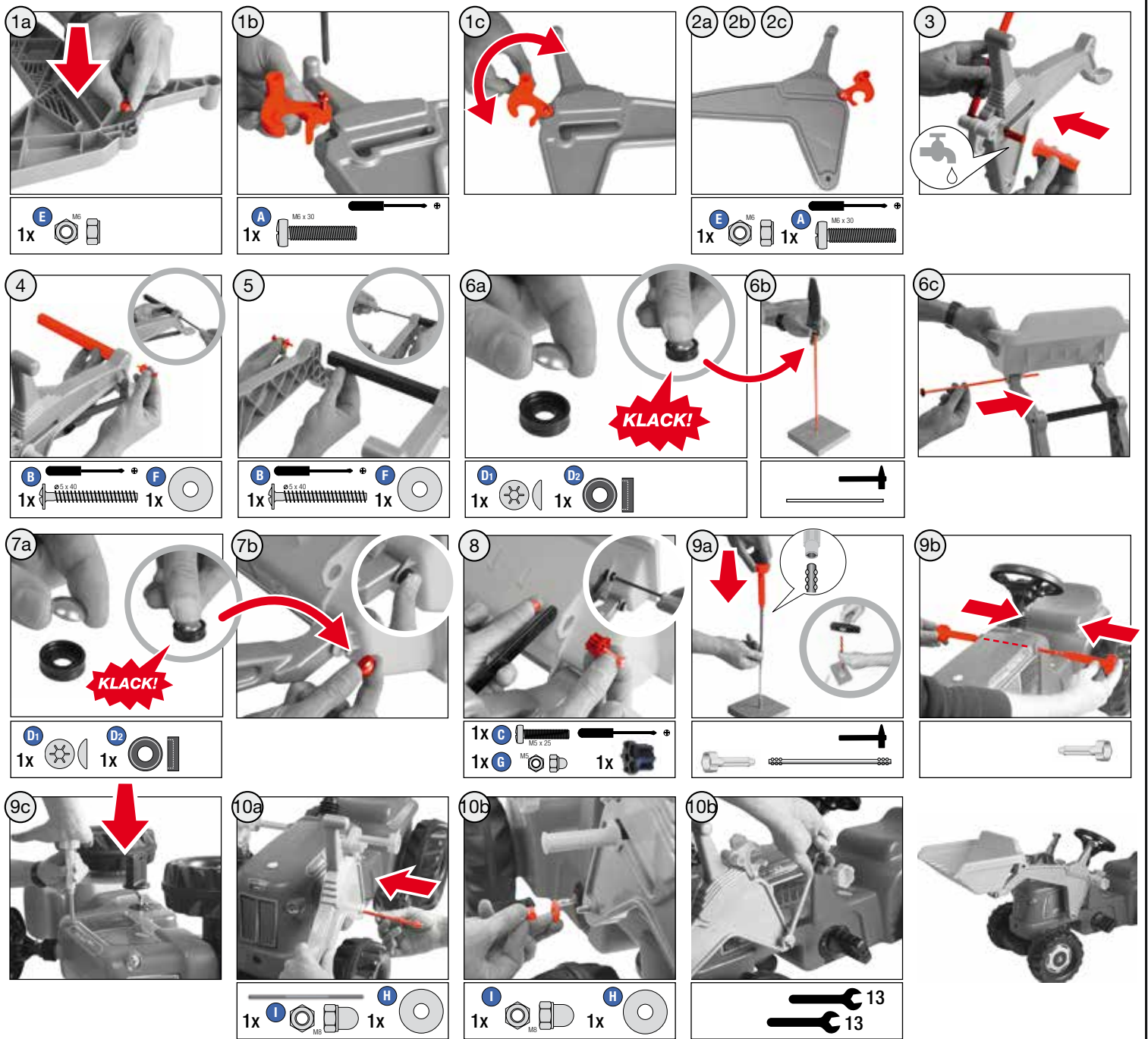


## WARNING

- CHOKING HAZARD - Small parts, Danger of being swallowed. Contains small parts in non assembled state. Must be assembled by adults.
- Toy is not suitable to carry children.
- If toy is defective stop using it, repairs may only be carried out by adults.
- Adult supervision required.
- Never use near steps, slopes, driveways, hills, roadways, alleys or swimming pool areas.
- Always wear shoes.
- Conforms to the requirements of ASTM Standard Consumer Safety Specification on Toy Safety, F 963.



**Franz Schneider GmbH & Co KG**  
P.O.Box 1460  
D-96459 · Neustadt bei Coburg · Germany  
Tel.: +49 (0) 95 68 / 856-0  
Fax: +49 (0) 95 68 / 856-190  
www.rollytoys.com · e-mail: service@rollytoys.de



(metrisch • metric)

