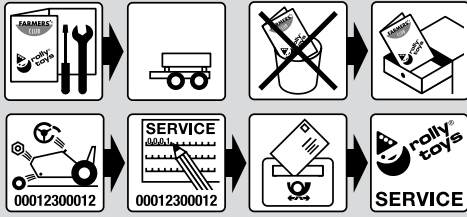
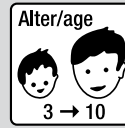


# rollyFarm Roller

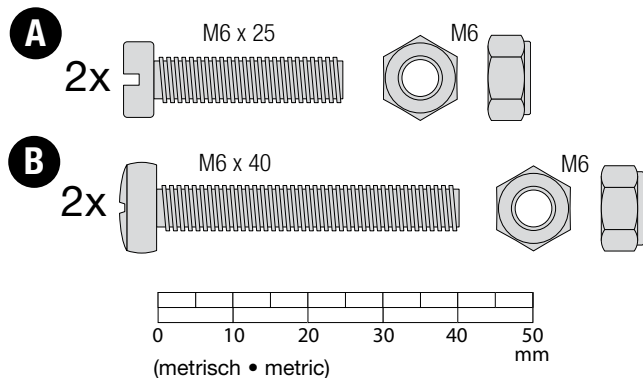
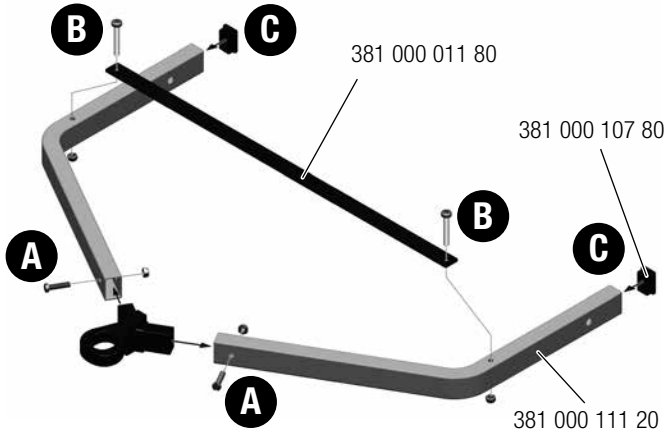


rolly toys Kundendienst Deutschland:

Tel: +49 (0) 95 68 / 856-142  
 Fax: +49 (0) 95 68 / 856-183  
 e-mail: service@rollytoys.de

2021/03

381.000.800.00



**WARNING:**  
**CHOKING HAZARD – Small parts.**  
 Not for children under 3 years.

- CHOKING HAZARD: Small parts. Danger of being swallowed. Contains small parts in non assembled state. Must be assembled by adults.
- Adult supervision required.
- Never use near steps, slopes, driveways, hills, roadways, alleys or swimming pool areas.
- Always wear shoes.
- Never allow more than one rider.
- The use of protective gear and a safety helmet is highly recommended.
- Conforms to the requirements of ASTM Standard Consumer Safety Specification on Toy Safety, F 963.
- Not suitable for children under 3 years.



<input type="checkbox"/>	rolly Dreiradtraktoren	05 ●●●
<input type="checkbox"/>	rollyMinitrac	13 ●●●
<input type="checkbox"/>	rollyKid	01 ●●● / 02 ●●●
<input checked="" type="checkbox"/>	rollyJunior	80 ●●● / 81 ●●●
<input checked="" type="checkbox"/>	rollyFarmtrac	60 ●●● / 61 ●●●
<input checked="" type="checkbox"/>	rollyFarmtrac Classic	03 ●●● / 04 ●●●
<input checked="" type="checkbox"/>	rollyFarmtrac Premium	70 ●●● / 71 ●●●
<input checked="" type="checkbox"/>	rollyX-Trac	03 ●●● / 04 ●●●
<input checked="" type="checkbox"/>	rollyTruck (Unimog)	03 ●●●

---NORTH & SOUTH AMERICA only---

**180 days warranty**

From the date of purchase + guaranteed spare part service  
 The warranty does not cover damages caused by improper use or neglect



**Franz Schneider GmbH & Co KG**  
 P.O.Box 1460  
 D-96459 · Neustadt bei Coburg · Germany  
 Tel.: +49 (0) 95 68 / 856-0  
 Fax.: +49 (0) 95 68 / 856-190  
 www.rollytoys.com