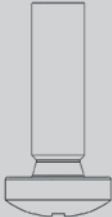






- A**  
  
Philips fillister head screw  
M6x20 2 PCS
- B**  
  
Washer A6  
2 PCS
- C**  
  
Philips pan head screw  
M4,5x50 6 PCS

