

SAP DESCRIPTION:

MTL DBL 240404 S

SKU No.

Maximum Flow Rate: 88 m³/h

Recommended Flow Rate: 68 m³/h

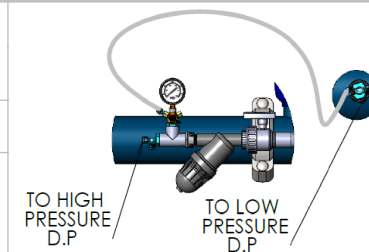
Inlet Pressure: 8 Bar

Sheet Size:

A4

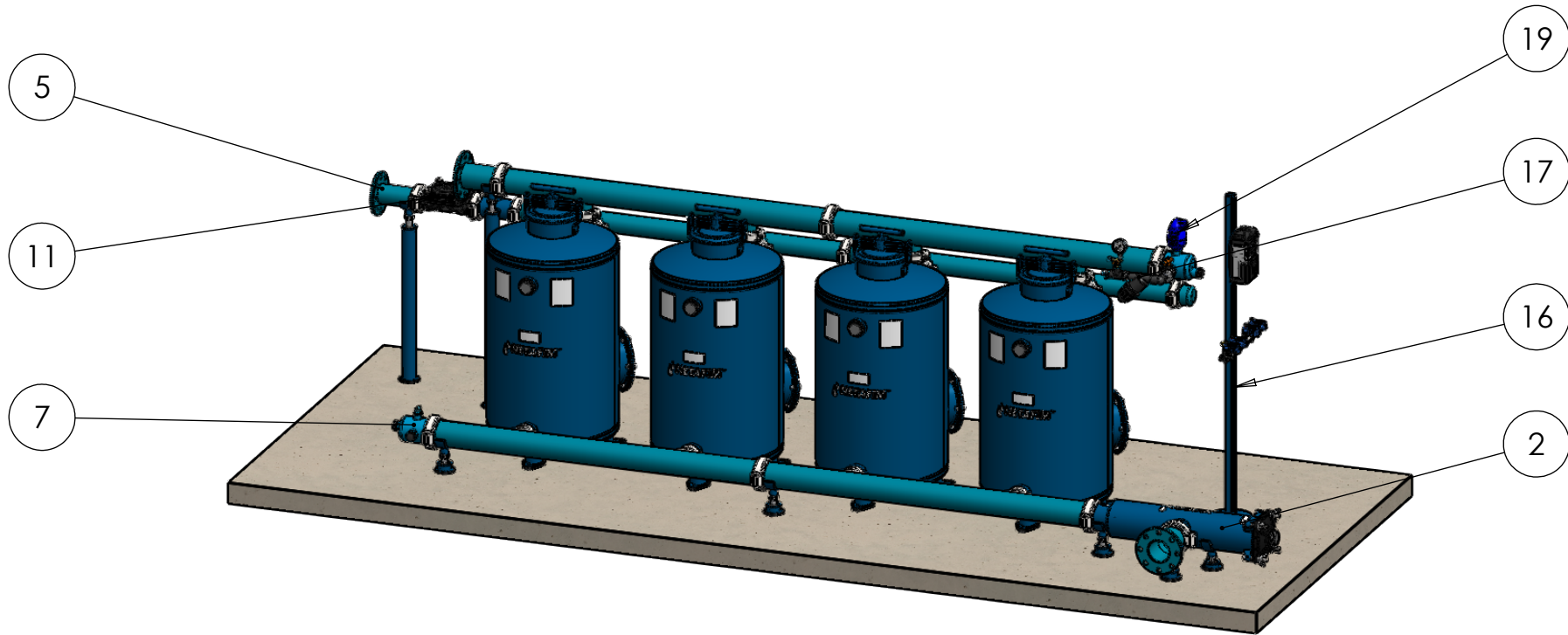
Scale:

1:25



PROPRIETARY AND CONFIDENTIAL
 THE INFORMATION CONTAINED IN THIS DRAWING IS THE SOLE PROPERTY OF NETAFIM. ANY REPRODUCTION IN PART OR AS A WHOLE WITHOUT THE WRITTEN PERMISSION OF NETAFIM IS PROHIBITED

Designed By		
Drawn By	KEREM	27/12/2019
Checked By		
QA		
Sheet: 1	Of: 3	Rev. -



SAP DESCRIPTION:

MTL DBL 240404 S

SKU No.

Maximum Flow Rate: 88 m³/h

Recommended Flow Rate: 68 m³/h

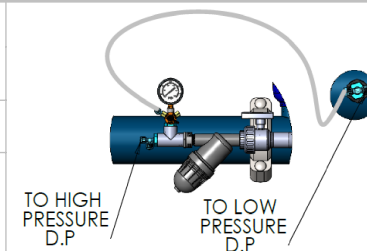
Inlet Pressure: 8 Bar

Sheet Size:

A4

Scale:

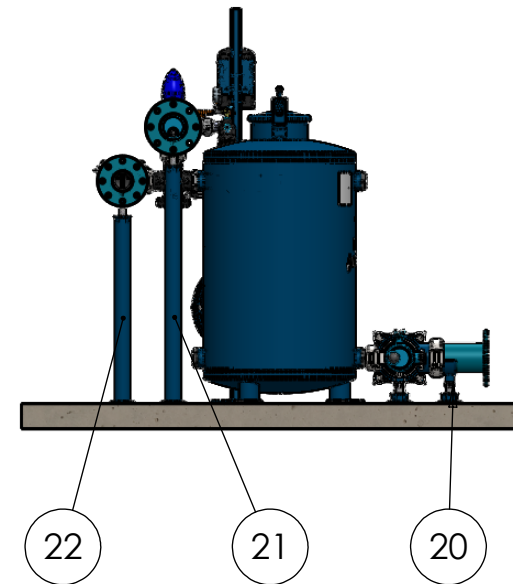
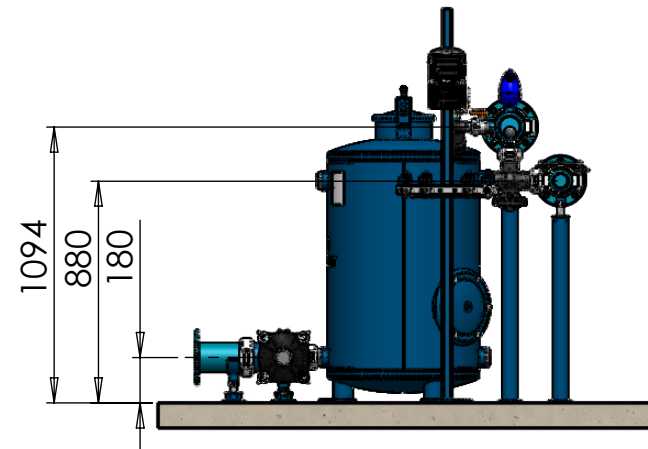
1:30



PROPRIETARY AND CONFIDENTIAL
 THE INFORMATION CONTAINED IN THIS DRAWING IS THE SOLE PROPERTY OF NETAFIM. ANY REPRODUCTION IN PART OR AS A WHOLE WITHOUT THE WRITTEN PERMISSION OF NETAFIM IS PROHIBITED

Designed By		
Drawn By	KEREM	27/12/2019
Checked By		
QA		
Sheet: 2	Of: 3	Rev. -

ITEM NO.	SAP Description	SAP Cat. No.	QTY.
1	METAL DBL.CHA.PLUS 24"*2" BSP PN08	71910-010036	4
2	SG M MT L 4" REGULAR 2550 VIC 130M	71980-000008	1
3	METAL MAN 4"*2 OUT*2" VIC F/24" TANK	71910-001708	4
4	METAL BF MAN 3"*2 OUT*2" VIC F/24" TANK	71910-001707	2
5	METAL TRANSITION 3" ISO FLANGE*VIC	71910-002005	1
6	METAL TRANSITION 4" ISO FLANGE*VIC	71910-002008	2
7	MET CUP 4"VIC W/2 OUT 1"BSP+1 OUT 1"BSP	71910-001801	2
8	METAL CUP 3" VIC	71910-001791	1
9	METAL NIPPLE 3"*200MM VIC/VIC+(3/4" BSP)	71910-008980	1
10	D 52 B.F. F/GRV 2*2 ANG.FLO.BSP/2 ADPTR.	71600-006515	4
11	S100CI 3" FCV+ORIFICE 20"-36"	71600-003417	1
12	GALVA. SHORT NIPPLE 2	78200-016500	4
13	VICTAULIC COUPLING 2" ONE BOLT	71910-002500	12
14	VICTAULIC COUPLING 3" ONE BOLT	71910-002501	5
15	VICTAULIC COUPLING 4" ONE BOLT	71910-002502	7
16	Control stand + controller + Aquative bracket		1
17	CONTROL KIT FOR MEDIA FILTER - BSP	37090-009600	1
18	L.P. Check point (part of control kit)		1
19	NAVc 10 1" COMBINATION AV PN10 BSP	32600-002000	1
20	SUPPORT LEG 4"-100MM	71910-001899	4
21	SUPPORT LEG 4"-1000MM	71910-001906	1
22	SUPPORT LEG 3"-800MM	71910-001890	1
23	SUPPORT LEG 6"-80MM	71910-001966	1



SAP DESCRIPTION:

MTL DBL 240404 S

SKU No.

Maximum Flow Rate: 88 m³/h

Recommended Flow Rate: 68 m³/h

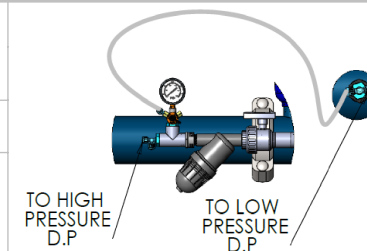
Inlet Pressure: **8 Bar**

Sheet Size:

A4

Scale:

1:30



NETAFIM™

PROPRIETARY AND CONFIDENTIAL
THE INFORMATION CONTAINED IN THIS DRAWING IS THE SOLE PROPERTY OF NETAFIM. ANY REPRODUCTION IN PART OR AS A WHOLE WITHOUT THE WRITTEN PERMISSION OF NETAFIM IS PROHIBITED

Designed By

Drawn By KEREM 27/12/2019

Checked By

QA

Sheet: 3 Of: 3 Rev. -