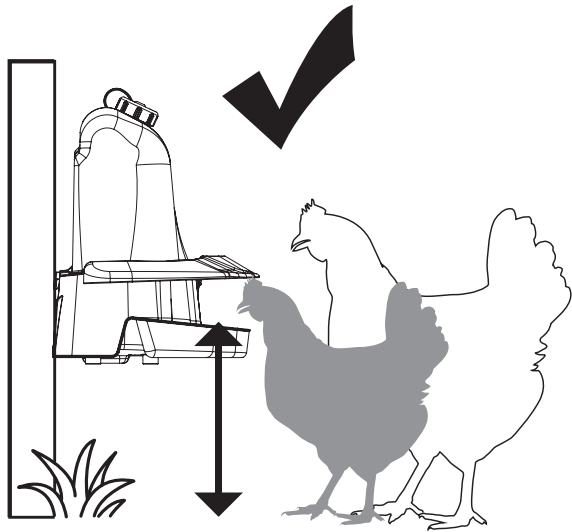


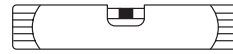
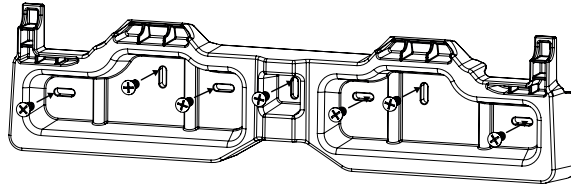
1



ESTABLISH CORRECT HEIGHT

Ensure Universal Drinker is positioned to allow smallest bird to drink

2



Fit Mounting Kit to secure, vertical surface with screws provided



UNIVERSAL DRINKER

INSTRUCTIONS

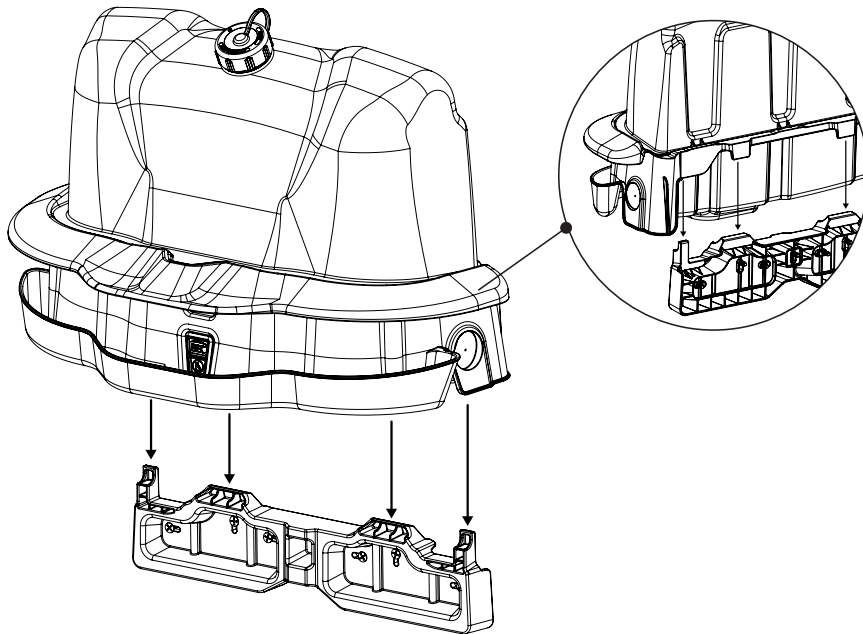
Made in the UK - Used Worldwide

www.bec.uk.com

Tel: +44 1588 673821

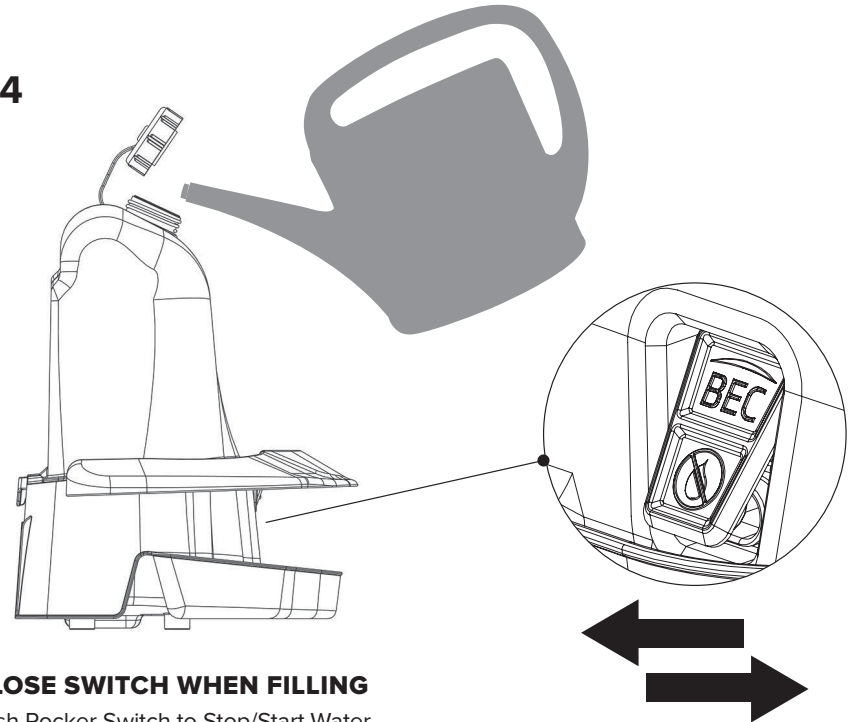
bec@osprey-plastics.co.uk

3



Attach Universal Drinker to Mounting Kit

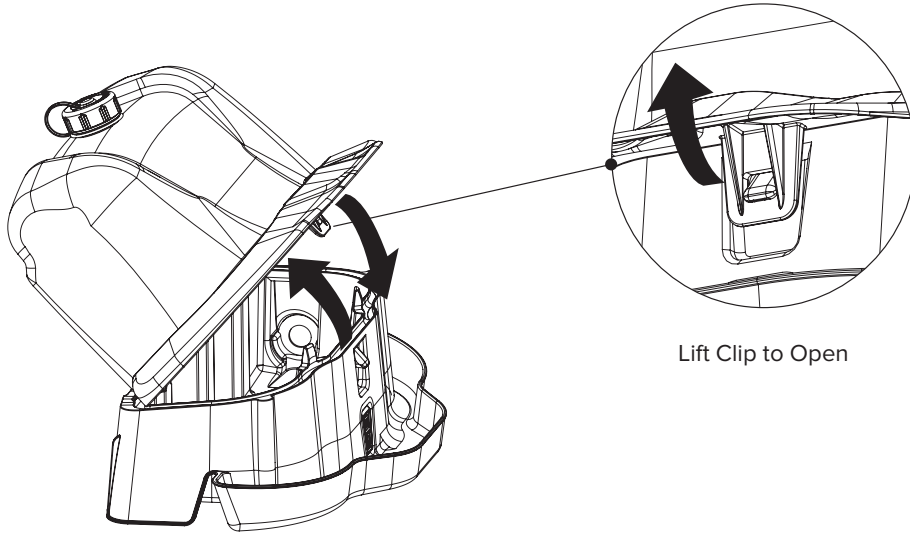
4



CLOSE SWITCH WHEN FILLING

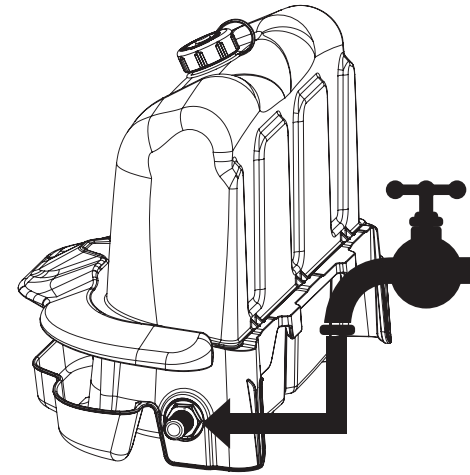
Push Rocker Switch to Stop/Start Water

5



Easy Open to Clean

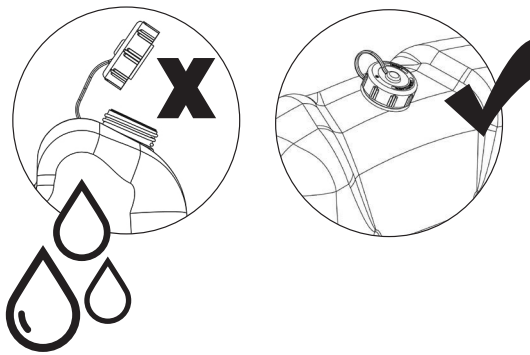
6



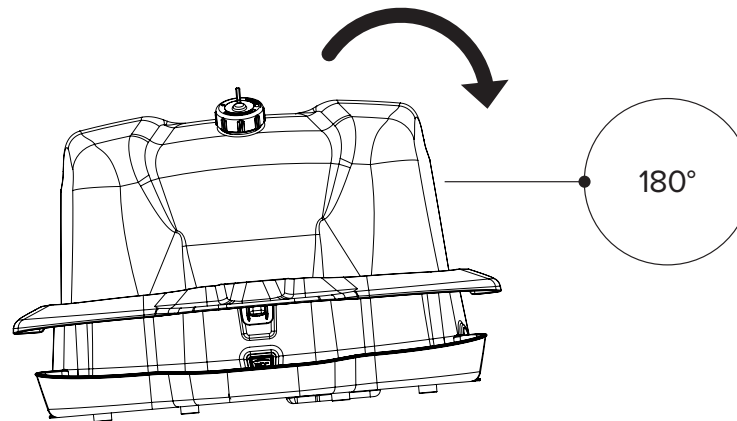
AUTOMATIC VERSION

Connect hose pipe to Universal Drinker

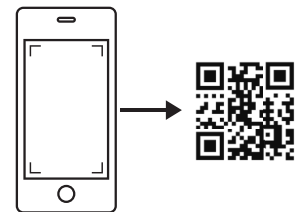
..... WATER LEAK - BASIC FAULT FINDING



If water is leaking, ensure lid is firmly tightened



If water is leaking from the ends, ensure the Universal Drinker is level



Scan to find out more