

INSTALLATION INSTRUCTIONS



BI PARTING TRACK SYSTEM

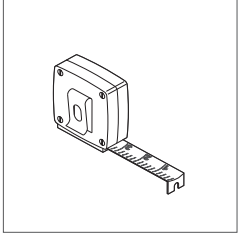
STANDARD FLAT TRACK SYSTEM



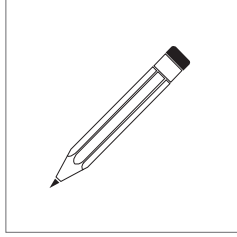
PARTS & TOOLS

INSTALLATION INSTRUCTIONS

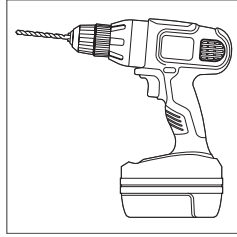
RECOMMENDED TOOLS



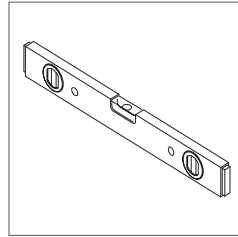
Tape Measure



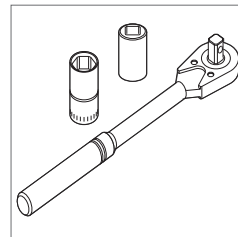
Pencil



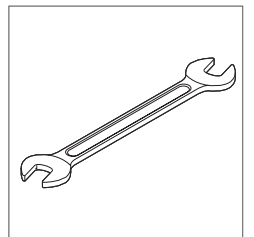
Drill with 1/8", 1/4" and 3/8" bits, and Phillips bit



Level

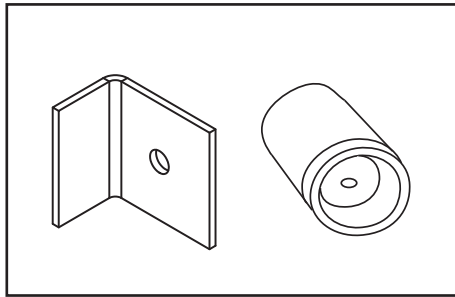


Ratchet with 9/16" and 5/8" sockets

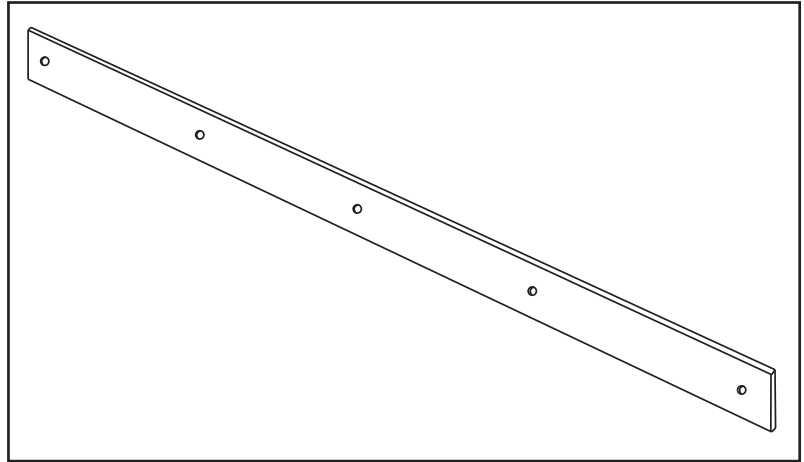


9/16" and 5/8" open end and ratcheting wrench

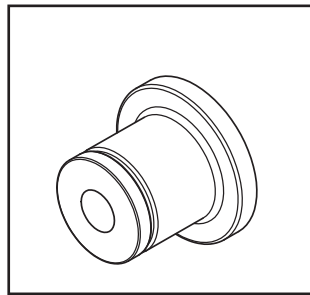
PARTS INCLUDED



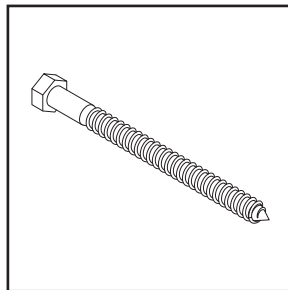
Standard Stops OR Lag Soft Stops



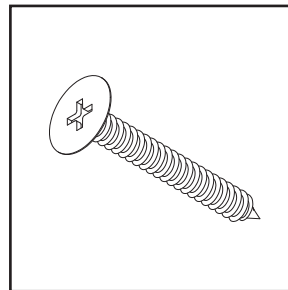
Flat Track - Length as Ordered



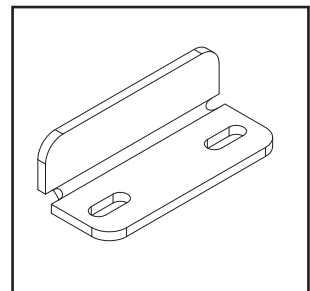
Adjustable Spacers



Lag Screws



Grabber Screws



Floor-Mount Door Guides

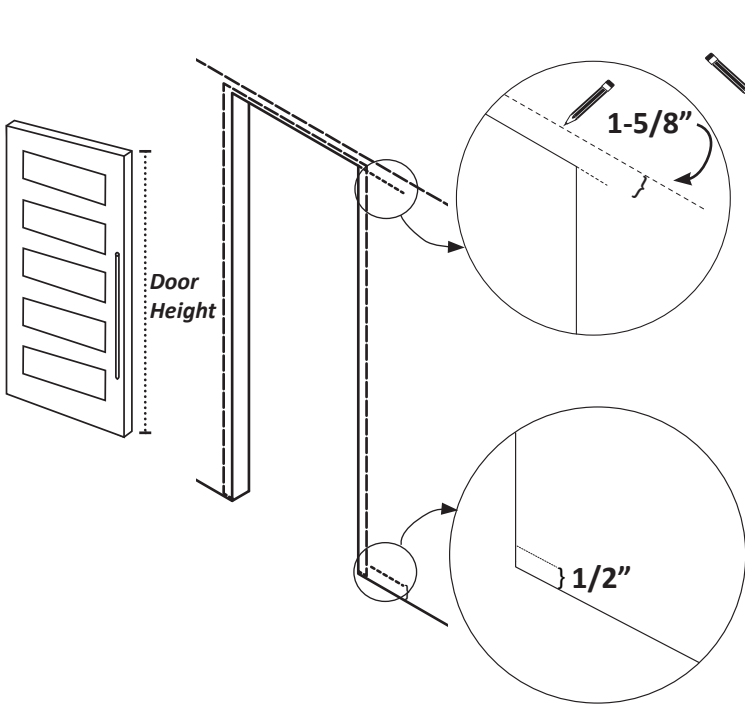
PLEASE NOTE: These instructions are specific to a particular Track System. Adjustments may be needed on your part for changes in specifications and measurements, as well as Track Systems that are different than these.



INSTALLATION INSTRUCTIONS BI PARTING FLAT TRACK SYSTEM

1. Measuring for Track Position

We highly recommend you attach your Track to a header, which is attached to your wall through the wall studs. This will provide the stability your wall needs to hold the weight of your door.



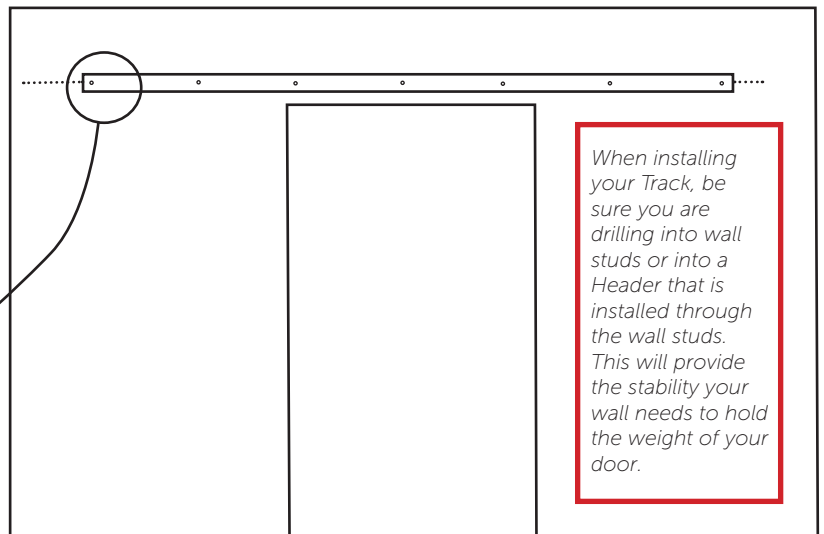
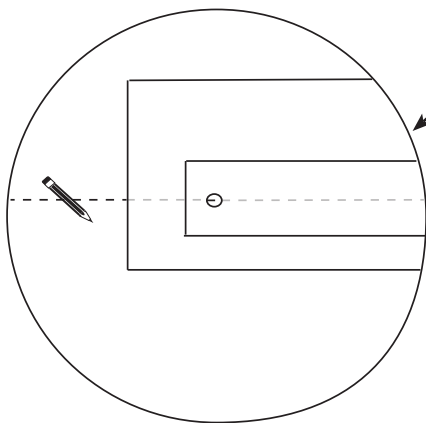
1-5/8" Door
+ Door Height
+1/2" (for clearance at the bottom)

=----- # of inches up from finished floor where you will pencil a horizontal line for your Track. *This line will mark the center of the Track and your penciled line will be visible through the Track holes.*

- Check to see if your floor is level. If your floor rises more than 1/2" along the length of the Track, you risk your Door rubbing or sticking at this high point.
- If your floor is not level, measure up from the highest point of your floor to find your Track hole center position to attach the Track to your wall.
- To determine where to install your Track, add together 1-5/8" (space above door) plus 1/2" (floor gap) to the height of your Door. This measurement is how high up on your wall (from your finished floor up) you should install the Track.
- Take into consideration while hanging doors onto your Track, the bottom of the door must not be more than 1" off the ground or the door will ride too high and miss the Door Guide.
- This is where you will mark a horizontal line on your wall parallel to the floor, slightly longer than the length of your Track. Use a level to ensure the horizontal line is completely level.

2. Marking Drill Holes

- Center the Flat Track over the line you have made to mark Track location.
- Center Flat Track over door opening so you have an equal amount of track on both sides of the door opening.



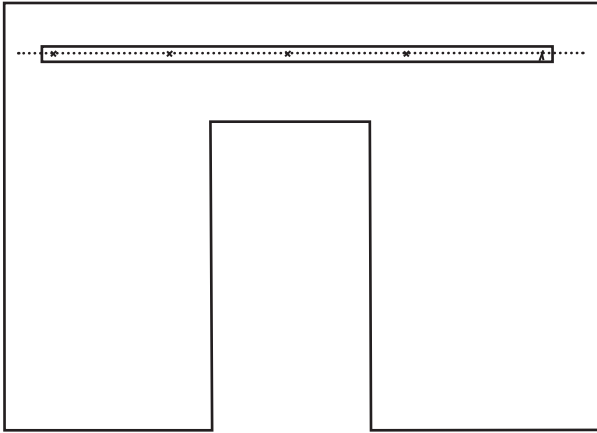
When installing your Track, be sure you are drilling into wall studs or into a Header that is installed through the wall studs. This will provide the stability your wall needs to hold the weight of your door.



INSTALLATION INSTRUCTIONS BI PARTING FLAT TRACK SYSTEM

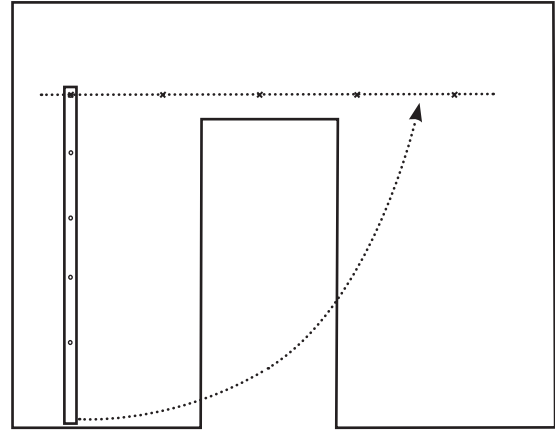
1. Drilling Pilot Holes

- With your Track along the line you have made, center the holes over the line. Mark hole locations. Using a 1/4" drill bit, pre drill your pilot holes. If your Track holes don't line up with your wall studs, attach a header. **The header needs to be attached to the wall through the studs.**

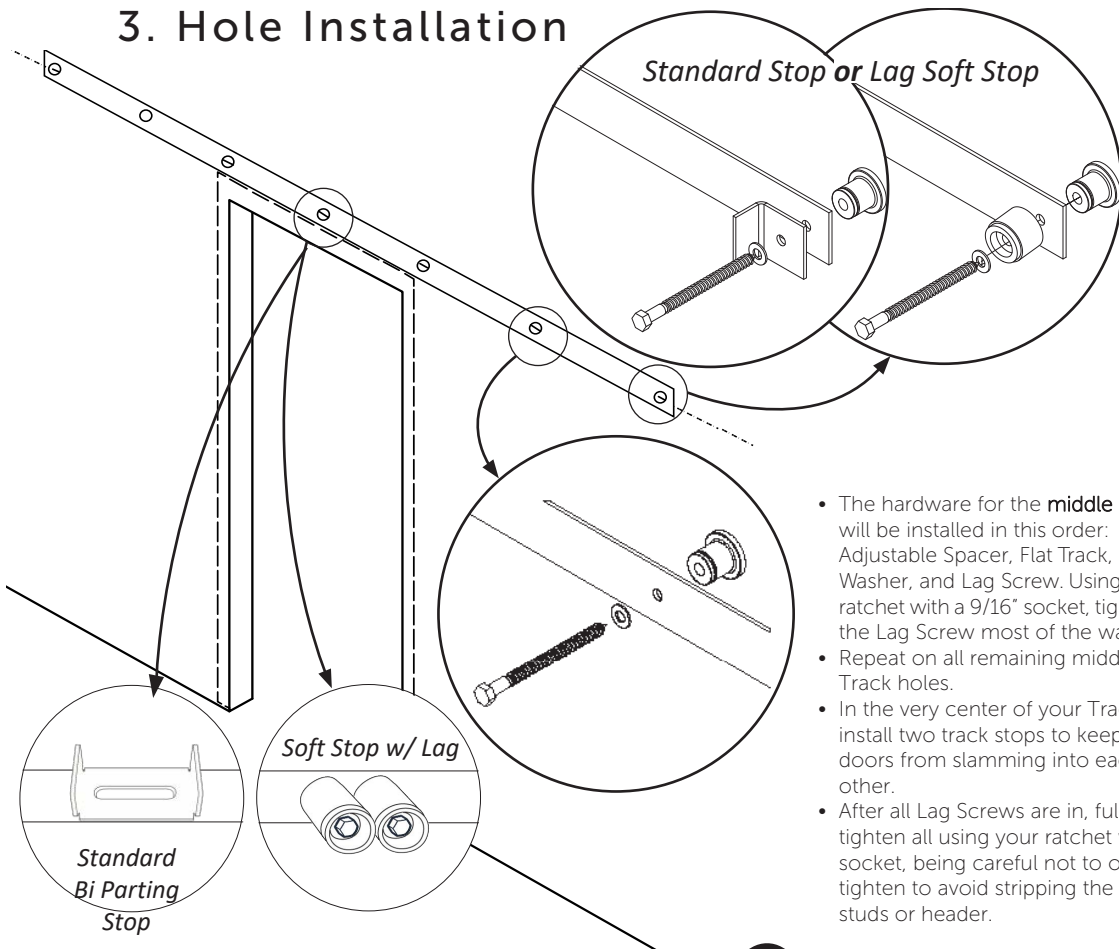


2. Attaching Track

- Loosely install one end of your Track per instructions in Step 3, below. Swing the Track up, making sure it is level, then install the other end.
- Install all remaining holes and tighten.



3. Hole Installation



- The **end** holes will be installed with either a Standard Stop **or** a Soft Stop.
- In this order: (starting at the wall) Adjustable Spacer, Flat Track, Stop (Standard or Soft Stop), 1" Washer, and Lag Screw. Using a ratchet with a 9/16" socket, tighten the Lag Screw most of the way, enough to hold the Track in place, but allowing the Track to move.
- Swing the Track up to be horizontal, and repeat the same step on the opposite end of the Track (see Step 2 above).

- The hardware for the **middle** holes will be installed in this order: Adjustable Spacer, Flat Track, 1" Washer, and Lag Screw. Using a ratchet with a 9/16" socket, tighten the Lag Screw most of the way.
- Repeat on all remaining middle Track holes.
- In the very center of your Track, install two track stops to keep your doors from slamming into each other.
- After all Lag Screws are in, fully tighten all using your ratchet with socket, being careful not to over-tighten to avoid stripping the wall studs or header.

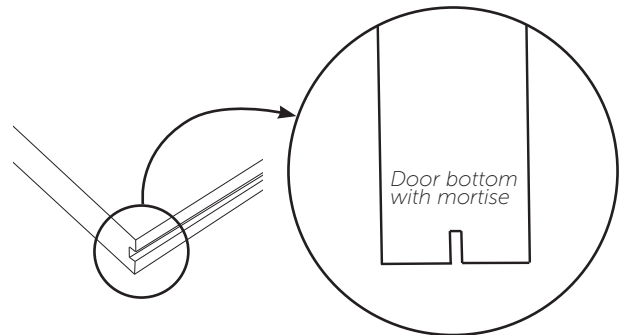
When installing your Track, be sure you are drilling into wall studs or into a Header that is installed through the wall studs. This will provide the stability your wall needs to hold the weight of your door.



INSTALLATION INSTRUCTIONS BI PARTING FLAT TRACK SYSTEM

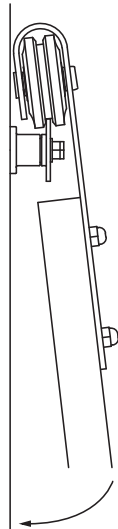
Door Guides & Anti Jump Blocks

NOTE: If you are installing a Floor Mount Door Guide, your door will have a mortise (a groove that runs along the bottom of your door). Make sure this mortise is facing down towards your floor and that you install the Door Hangers on the other end.



Installing Your Door

- Lift your Door up to your Track at a slight angle.
- Carefully rest both Wheel grooves onto the top of the track.
- Guide the Door to the resting position.



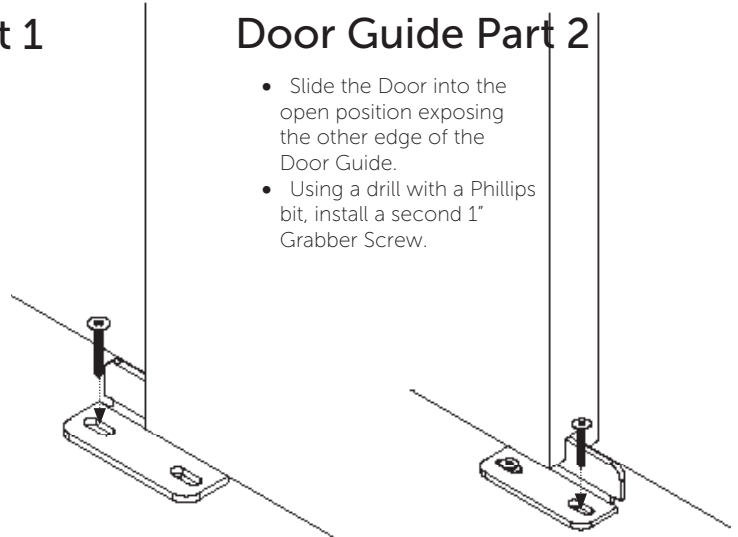
Door Guide Part 1

- Use your level to plumb* your Door.
- With the Door in the closed position, **along the outside edge of your Door**, place the Door Guide halfway into the Door mortise (the groove that runs along the bottom of a wood Door).
- Double check that your Door is plumb.*
- Hold the Door Guide firmly in position. Using a drill with a Phillips bit, install a 1" Grabber Screw to secure your door guide

* Plumb perfectly vertical

Door Guide Part 2

- Slide the Door into the open position exposing the other edge of the Door Guide.
- Using a drill with a Phillips bit, install a second 1" Grabber Screw.



Installing Anti-Jump Blocks

- Place the Anti-Jump block on the top of the door (Figure 2). Using a drill with a phillips bit, install the the block with the 1" phillips screw (provided).
- Install an Anti-Jump Block on each side of both doors.
- Ensure that the Anti-Jump Blocks are positioned on the door and under the track.

SUGGESTION:

Use double stick tape on the back of the anti-jump block to hold it in place on the door.

