

Untouchable VIP™ and VIP FL/3 Self-Contained Compactor/Container



*Use for front
feed applications*

*Extra-low feed
heights*

*Rigid anchoring
platform*

Triple interlock

Untouchable VIP



*Unit shown with
Green Built option*



VIP FL/3



**Environmental
Solutions Group**

A DOVER COMPANY

Hotels

Shopping malls

Supermarkets

Restaurants

Alleys

Hospitals

In-plant assembly areas

Untouchable VIP™ (Vert-I-Pack) Compactor/Container

Marathon's Untouchable VIP was developed from a growing need for superior compaction in a small footprint. Originally developed for the narrow alleyways of Chicago, it fits anywhere with limited space where compactation is necessary.

- ✔ The Vert-I-Pack is a real space saver – with more than 13-tons (11,793 kg) of crushing force, it reduces the contents of many open containers into 1 Vert-I-Pack container. This saves your hauler time because the hauler has only one container to pick up. It also prevents weekend overflow, which eliminates the need to schedule those expensive weekend pickups.
- ✔ The Vert-I-Pack is designed with the operator in mind. It has no heavy or clumsy lids to open and close.
- ✔ The Vert-I-Pack controls employee pilferage – optional security kit (rear feed units only) enables the unit to be fed from inside the building, eliminating the temptation to employees to put merchandise into a box, stash the box in the trash container, and return later to retrieve your merchandise.

Containers with Casters

The Untouchable VIP's 2.75 cubic yard (2.10 cubic meter) heavy-duty containers are on casters and can easily be rolled to an area accessible by waste collection trucks.



Integrated Driver Light

The integrated Driver Light illuminates green to signal the driver that the container is "ok" to be removed and dumped, making dumping simple and quick.



The side mounted power unit offers easy access for maintenance on the motor and electrical components.



Images shown with optional equipment

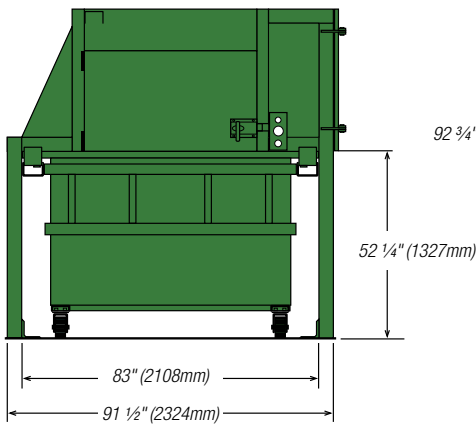
Vert-I-Pack Triple Lock

✔ The mechanical door interlock prevents the door from being opened at all times except when the unit is in the proper feeding position. A second interlock prevents the unit from cycling (operating) when the door is in the open position. The third interlock prevents the unit from functioning when the container is not in the proper position.

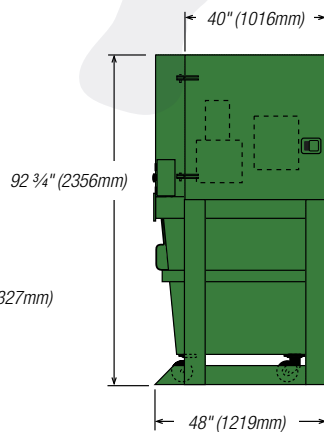


Dimensions Untouchable VIP

FRONT VIEW

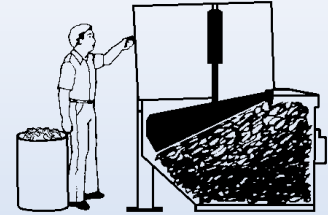


SIDE VIEW



Simple User Operation

Step 1



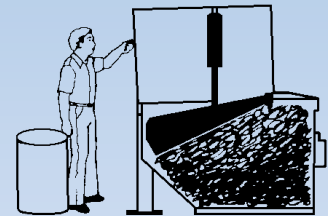
✔ The operator inserts the key and turns it to the "UP" position. When the ram moves to the up position the door can be opened.

Step 2



✔ The large opening allows even a 30 gallon container to be emptied easily. The new waste material is dumped into the cavity left in the container by the previous ram position.

Step 3



✔ Auto-Cycle is standard!

After feeding, the operator turns the key to the "pack" position and then removes the key. The ram will cycle automatically to the down position to compact and hold the waste material there until the next loading cycle.

More than 13 tons (11,793 kg) of crushing power forces the ram 18-inches (457mm) into the container.

Untouchable VIP dimensions

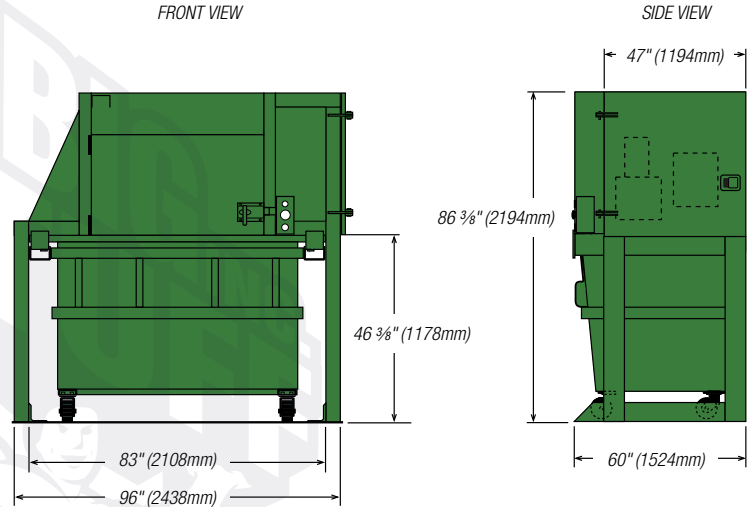
Feed height	52.25"	1327mm
Overall height	92.75"	2356mm
Overall width	91.5"	2324mm
Overall depth	48"	1219mm
Container weight	825 lbs.	375 kg
Complete assembly weight	3675 lbs.	1667 kg

Untouchable VIP™ and VIP FL/3 Self-Contained Compactors

Dimensions and Specifications

Specifications		
Charge Box Capacity		
[Mfr. Rating]	0.72 cu yd	0.55 m ³
[WASTEC Rating]	0.54 cu yd	0.41 m ³
Clear Top Opening	23.5"L x 46"W	597mm x 1168mm
Performance Characteristics:		
Cycle Time	30 sec.	30 sec.
Total Normal Force	26,400 lbs.	11,975 kg
Total Maximum Force	30,200 lbs.	13,699 kg
Electrical Equipment:		
Electric Motor 3/60/230-460	3 hp	2.2 kW
Electric Control Voltage	120 VAC	120VAC
Panel Box Assembly		
UL® and CUL® Listed	Key Operated	120 VAC
All Circuits Fused	2-Button Station Start/Stop	
Hydraulic Equipment:		
Hydraulic Pump	3 gpm	11.4 L/min
Normal Pressure	15.3 psi	1.0 bar
Maximum Pressure	17.5 psi	1.2 bar
Hydraulic Cylinders (2) - Bore	4"	102mm
- Rod	2"	51mm

Dimensions VIP FL/3



VIP FL/3 dimensions		
Feed height	46.375"	1178mm
Overall height	86.375"	2194mm
Overall width	96"	2438mm
Overall depth	60"	1524mm
Container weight	675 lbs.	306 kg
Complete assembly weight	3375 lbs.	1531 kg



Also available as Green Built®, featuring Solar and other environmentally friendly components.

Marathon's solar option is not UL and CUL Listed.

Compactor Rental and Leasing Programs Available

For detailed specifications, recommendations, or free economic studies comparing various systems, contact Marathon Customer Care at **1-800-633-8974**.



Stationary and self-contained compactors.

Authorized Dealer:

BIG STUFF

INC.
Waste Handling & Recycling Equipment
Trash, Linen and Temporary Debris Chutes



Sales • Service •
Installations • Rentals

301-499-3700

BIGSTUFFINC.COM



Marathon Equipment Company
 P.O. Box 1798
 Vernon, AL 35592-1798
 800.633.8974
www.marathonequipment.com
 NJPA Contract #060612-ESG



Environmental Solutions Group
 A DOVER COMPANY
www.doveresg.com



Pictures in this literature are illustrative only. Specifications are subject to change without notice in order to accommodate improvements to the equipment. Certified in compliance with ANSI standard Z245.2, all applicable OSHA Regulations, and certified under WASTEC's Stationary Compactor Certification Program. Products must be used with safe practice and in accordance with said regulations and standards.