

ULTRA SPACE SAVER SQUARED



Hip to be Square

Dero's Ultra Space Saver Squared offers high-security, vertical bike parking. Adjustable sliding arms make it easy for customers to best utilize their space. It also creates flexibility to make sure bike spacing follows city requirements as they evolve. Pipe-cutter resistant squared steel tubing makes the Ultra Space Saver Squared more secure than the original Ultra Space Saver.

Patent pending



www.bigstuffinc.com

(301) 499-3700

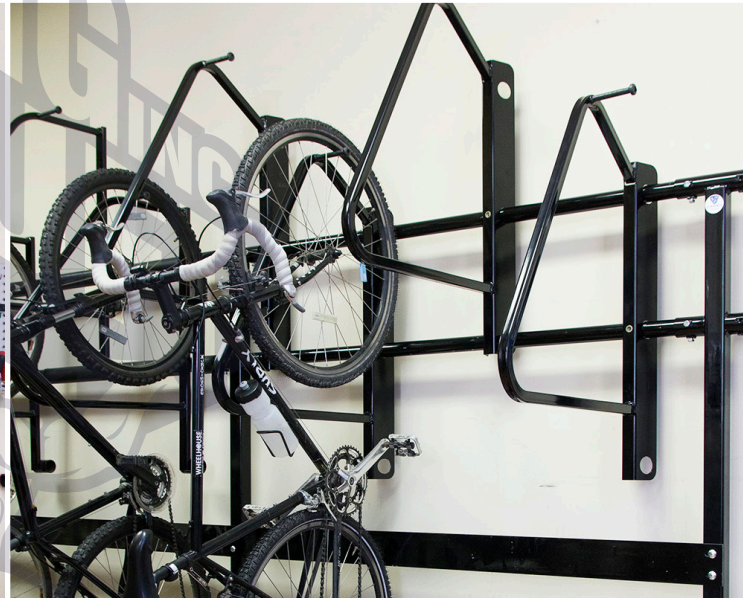


DERO
A PLAYCORE Company

ULTRA SPACE SAVER SQUARED



- Modular design fits nearly any space
- U-lock compatible
- Easy assembly
- Double your capacity
- Square tubing for greater security
- Spacing between arms may be varied



FINISH OPTIONS

Powder Coat

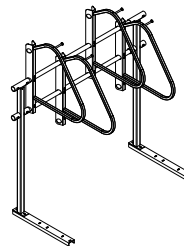


Galvanized

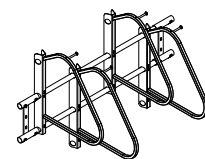


MOUNT OPTIONS

Floor



Wall



www.dero.com | 1-888-337-6729

www.bigstuffinc.com

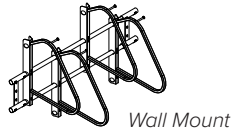
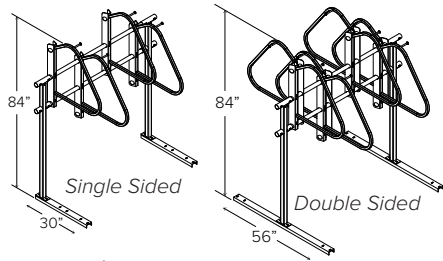
(301) 499-3700



DERO
A PLAYCORE Company

ULTRA SPACE SAVER SQUARED

Submittal Sheet



CAPACITY

Modular construction
1 biker per arm

MATERIALS

Hanger is 1" square tube with steel slider head with tamperproof locking bolts.
Upright is 2" square tube.
Feet are AISI C3 x 4.1 galvanized steel channel. Crossbeams are 2" sched. 40 powdercoated pipe.

FINISHES



Powder Coat

Our powder coat finish assures a high level of adhesion and durability by following these steps:

1. Sandblast
2. Epoxy primer electrostatically applied to exterior
3. Final thick TGIC polyester powder coat

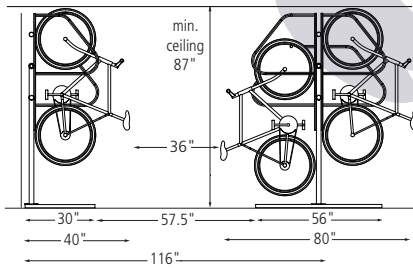


Galvanized

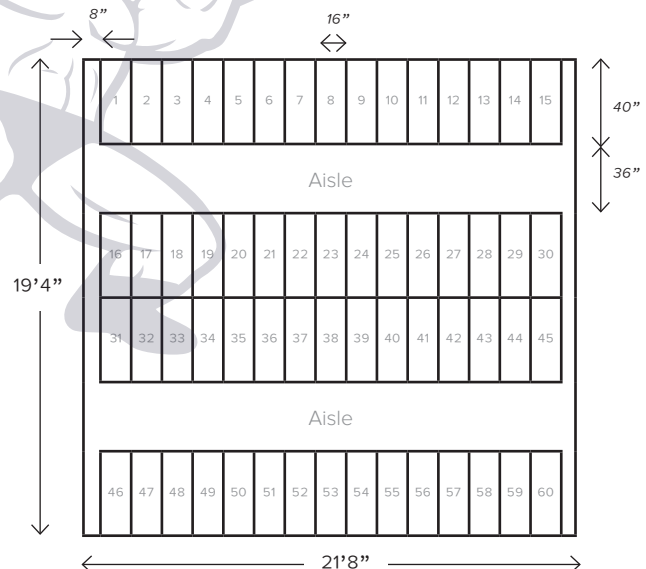
An after fabrication hot-dipped galvanized finish is our standard option.

MOUNT OPTIONS

Floor mounted Ultra Space Saver Squared have steel channel feet (30" for single sided and 56" for double sided units) which must be anchored to the floor. A **wall mounted** unit which contains special brackets is also available.



SETBACKS



As a general rule of thumb, this space can fit approximately 60 bicycles.



DERO
A PLAYCORE Company

ULTRA SPACE SAVER SQUARED

Installation Instructions

The Ultra Space Saver Squared has several steps for installation. Note that the single and double sided setups and parts are different. Make sure you follow the instructions according to the model you ordered.

Recommended Base Materials:

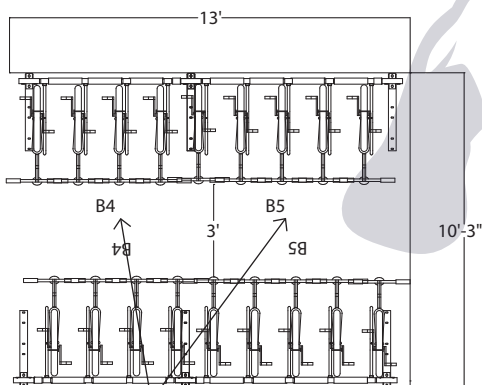
Solid concrete is the best base material for installation. Make sure nothing is underneath the base material that could be damaged by drilling (i.e. post-tension cable). Use the 3.75" wedge anchors that are included to install the rack into the concrete (wall anchors are 3").

Installation:

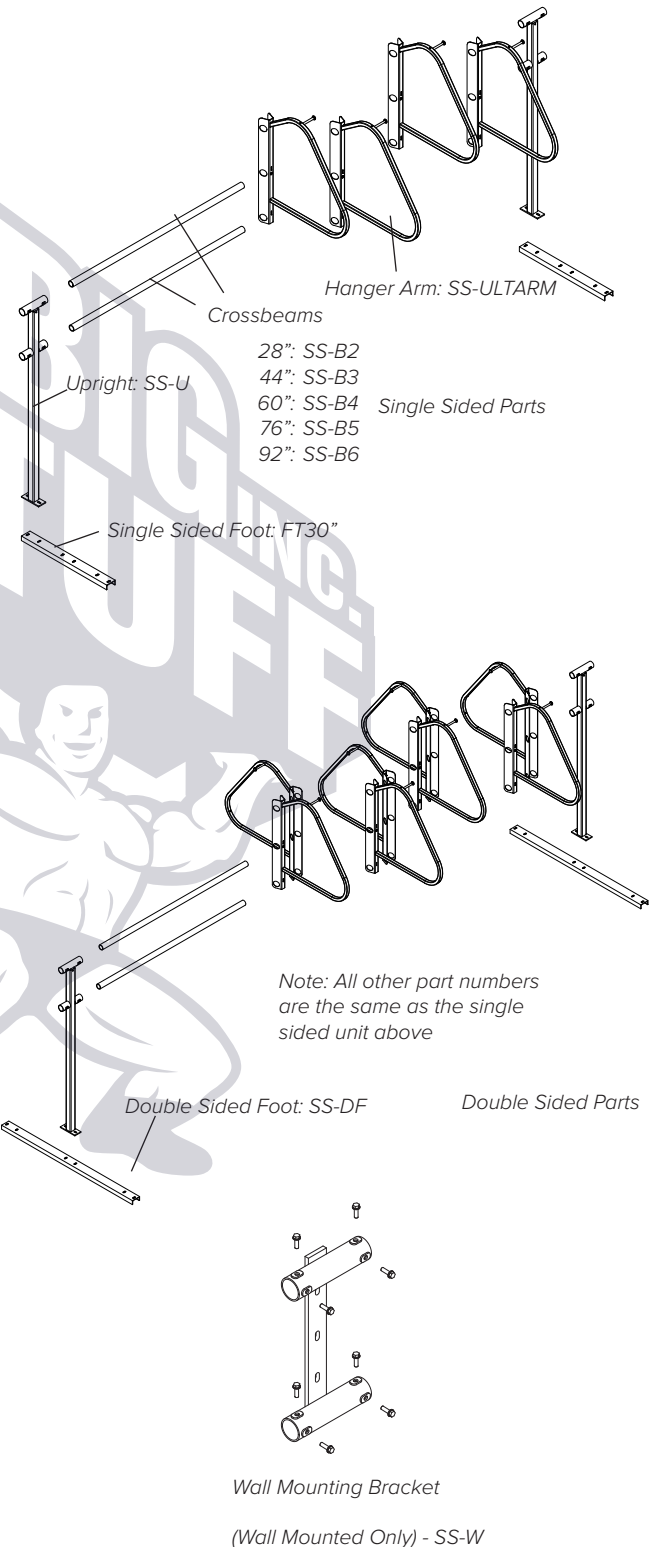
Sort out the parts to the rack and identify each of them accordingly. The 1" carriage bolts are for assembly of the rack and the 3.75" wedge anchors are for mounting the rack to the floor.

Reading your Dero designed layout

Ultra Space Saver Squared come in varying configurations, making it **very important** that you carefully follow the layout provided by Dero when installing the racks. If you do not follow the diagram, you may well end up short of parts. The length of each Ultra Space Saver Squared unit is indicated by a number ranging from B²-B⁷ in the layout. This number corresponds to the length of crossbeams to be installed. In the example provided below the Ultra Space Saver Squared is to be installed starting with two B⁴ units, which have 44" crossbeams, followed by a B⁵, which has 76" crossbeams.



These numbers indicate the number of arms between brackets for each Ultra Space Saver Squared unit to be installed.



DERO
A PLAYCORE Company

ULTRA SPACE SAVER SQUARED

Installation Instructions – Wall Mount

TOOLS NEEDED

9/16" Wrench/Socket
3/8" or 1/2" Masonry Drill Bit
(Depending on anchor type)
Tape Measure
Drill (Hammer drill recommended)
Hammer
Level
Marker or pencil

NOTE

Before installing make sure the wall is strong enough to accommodate the rack fully loaded with bikes. Steel stud walls are not suitable for installation

1

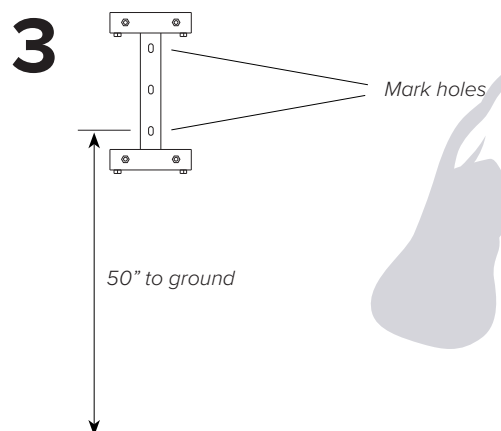
Lay out parts on the floor where unit is to be installed and be sure you have all necessary parts.

2



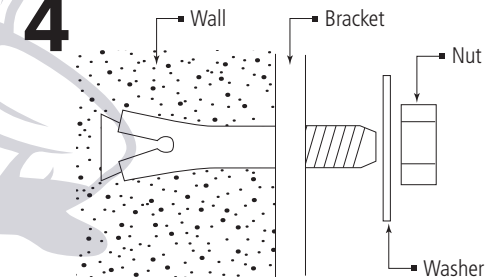
On galvanized cross beams, Place a mark three inches from each end. This mark will show you how far to slide the cross beam into the wall bracket.

3



Place first wall bracket on wall where you want to install the bike rack. The lowest hole of bracket should be 50" from the ground. Mark holes for drilling.

4



Drill Holes into wall, put the wall bracket back up and insert wall anchors through holes in bracket and set the anchors. For setting the anchors and diameter and depth of holes, follow instructions sent with the anchors. Make sure bracket is level.



DERO
A PLAYCORE Company

www.dero.com | 1-888-337-6729

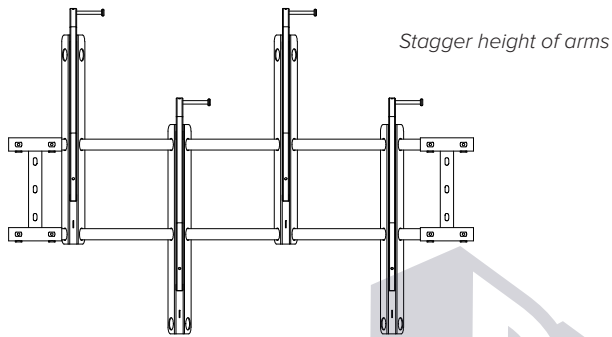
www.bigstuffinc.com

(301) 499-3700

ULTRA SPACE SAVER SQUARED

Installation Instructions – Wall Mount

5



Thread 3/8" by 3/4" tightening bolts into holes in bracket. Insert crossbeams into bracket. Slide on arms and make sure arms are staggered. At end of last arm place 3" spacers and install end bracket, making sure cross beams are level.

6

If installing more than one set of Ultra Space Saver Squared arms, continue from last installed wall bracket and repeat steps 3-5 above.



DERO
A PLAYCORE Company

www.dero.com | 1-888-337-6729

www.bigstuffinc.com

(301) 499-3700

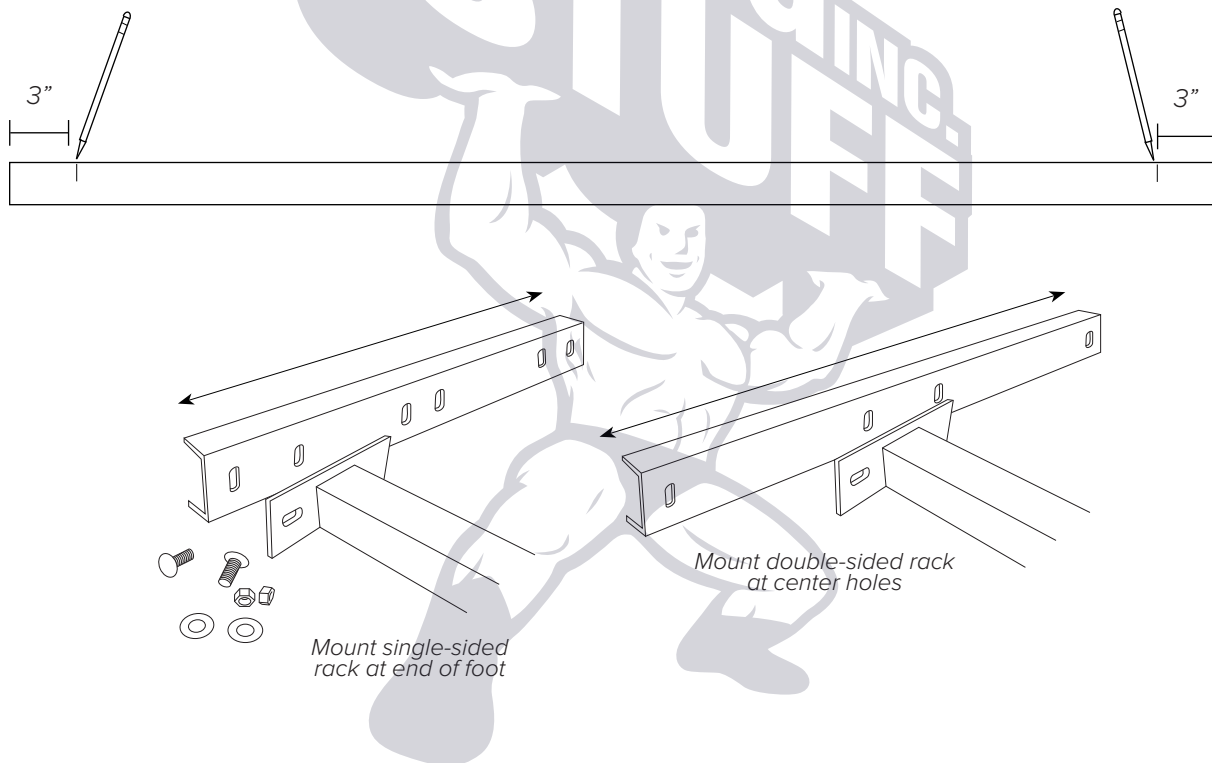
ULTRA SPACE SAVER SQUARED

Installation Instructions – Floor Mount

TOOLS NEEDED

9/16" Wrench/Socket
3/8" Masonry Drill Bit
Tape Measure
Drill (Hammer drill recommended)
Hammer

1



Measure out space. Attach feet to uprights with carriage bolts provided.



DERO
A PLAYCORE Company

www.dero.com | 1-888-337-6729

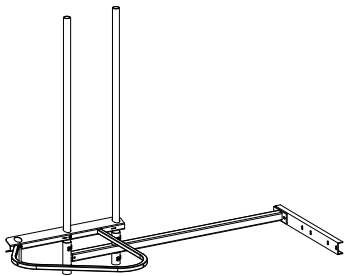
www.bigstuffinc.com

(301) 499-3700

ULTRA SPACE SAVER SQUARED

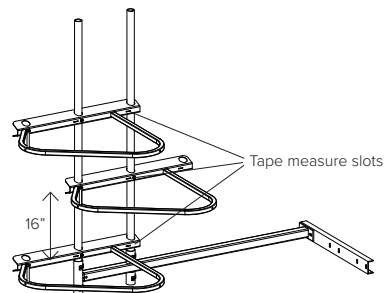
Installation Instructions – Floor Mount

2



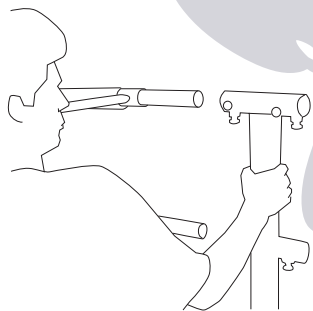
Lay assembled uprights with crossbeams attached on their side so crossbeams are facing up. Slide first hanger arm on and tighten set screw to hold in place.

3

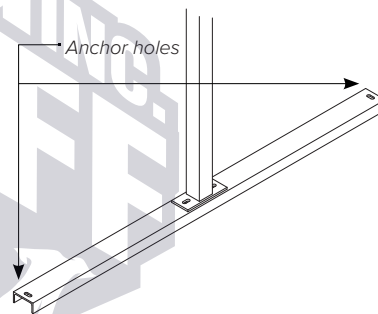


Gently slide arms down crossbars but make sure to stagger height of each arm so that the hanger rod is at a different level from its neighboring arms. Tighten set screw. Standard spacing between arms is 16". For double sided model slide arms on opposite each other. Repeat until the crossbeams are full.

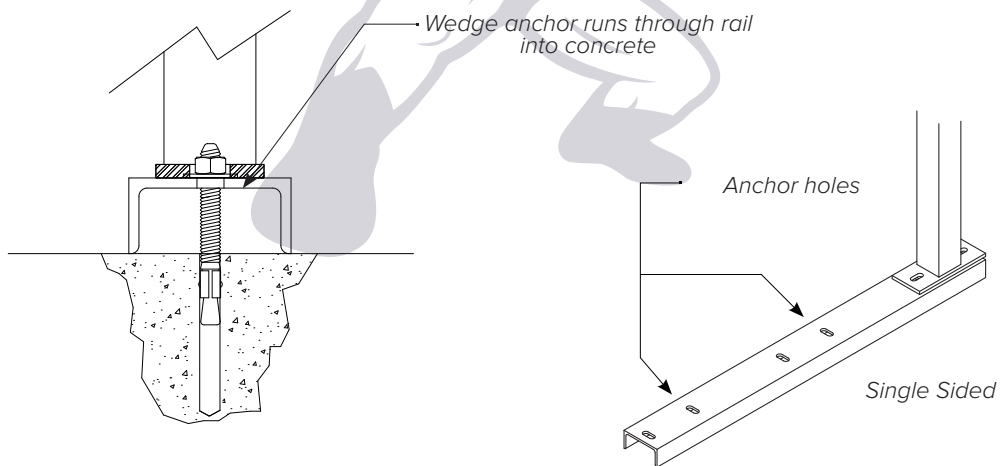
4



Tip rack up and attach the second upright. Tighten bolts. Slide assembled rack into final location. For add-on units repeat steps.



5



Anchor rack to floor with 3.75" wedge anchors.



DERO
A PLAYCORE Company

www.dero.com | 1-888-337-6729

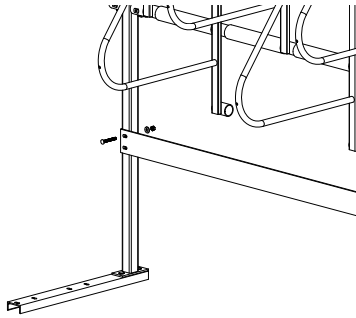
www.bigstuffinc.com

(301) 499-3700

ULTRA SPACE SAVER SQUARED

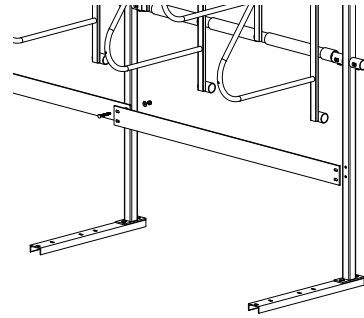
Installation Instructions – Tire Stop

1

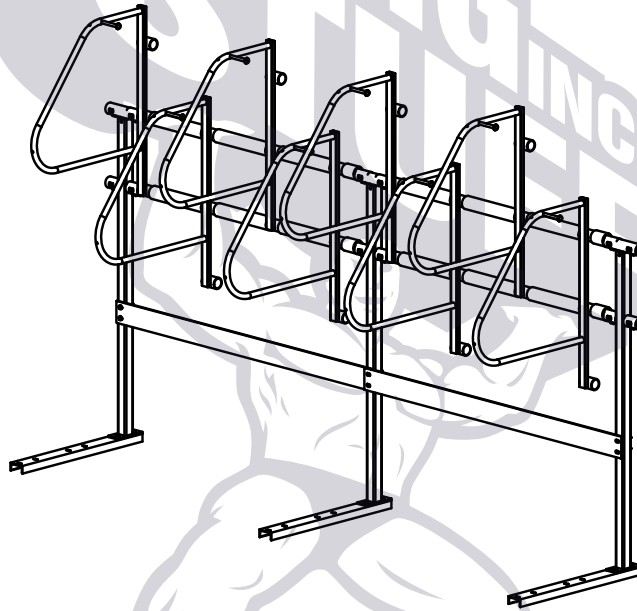


Attach tire stop to uprights with supplied hardware

2



Continue attaching tire stops if using a modular system



DERO
A PLAYCORE Company

www.dero.com | 1-888-337-6729

www.bigstuffinc.com

(301) 499-3700