

KENWOOD

Built-In Fridge Freezer KIFF7017

installation / instructions manual



Contents

safety warnings	3
unpacking	5
installation	6
location	6
free space requirements.....	6
reversing the door swing	7
cleaning before use	8
before using your unit.....	8
product overview	9
main unit.....	9
operation	10
switching on your unit.....	10
control panel.....	10
adjusting the temperature.....	10
noises inside the unit!.....	10
tips for keeping food in the unit	11
preparations for freezing	11
defrosting frozen food.....	12
cleaning	12
cleaning the interior and the exterior of the unit	12
maintenance	13
changing the internal LED light	13
care when handling / moving your unit.....	13
servicing	13
switching off for long periods of time	13
condensation	13
disposal	13
specifications	14
product fiche	14

safety warnings

For your continued safety and to reduce the risk of injury or electric shock, please follow all the safety precautions listed below.

- Read all instructions carefully before using the unit and keep them for future reference.
- Retain the manual. If you pass the unit onto a third party, make sure to include this manual.
- This appliance is intended for indoor household use and similar applications such as:
 - farm houses and by clients in hotels, motels and other residential type environment;
 - bed and breakfast type environment;
 - staff kitchen areas in shops, offices and other working environment;
 - catering and similar non-retail applications.
- Ensure that the plug is easily accessible to enable disconnection from the mains supply.
- If the mains cable is damaged, it must be replaced by the manufacturer, its service agent or a qualified technician in order to avoid a hazard.
- Choose a location for your unit away from heat sources such as radiators or fires as refrigerant and vesicant are burnable.
- The unit must be manoeuvred by a minimum of 2 persons.
- This appliance can be used by children aged from 8 years and above and persons with reduced physical, sensory or mental capabilities or lack of experience and knowledge if they have been given supervision or instruction concerning use of the appliance in a safe way and understand the hazards involved. Children shall not play with the appliance. Cleaning and user maintenance shall not be made by children without supervision.
- Children should be supervised to ensure that they do not play with the unit.
- If your unit is fitted with a lock to prevent children being trapped inside, keep the key out of reach and not in the vicinity of the unit.
- Do not store explosive substances such as aerosol cans with a flammable propellant in this appliance.

- Do not store bottles or glass containers in the freezer compartment. Contents can expand when frozen (fizzy drinks) which may break the bottle and damage your freezer compartment. (If applicable)



WARNING

- Keep ventilation openings in the unit enclosure or in the built-in structure clear of obstructions.
 - Do not use mechanical devices or other means to accelerate the defrosting process, other than those recommended by the manufacturer.
 - Do not use electrical appliances inside the food storage compartments of the unit, unless they are of the type recommended by the manufacturer.
 - Do not damage the refrigerant circuit (The refrigerant is a very environmental-friendly gas but is also combustible. Take care when transporting or moving the unit to ensure that the refrigeration circuit is not damaged. In the event of damage avoid naked flames or ignition sources and ventilate the room in which the unit is placed for a few minutes.)
 - When positioning the appliance, ensure the supply cord is not trapped or damaged.
 - Do not locate multiple portable socket-outlets or portable power supplies at the rear of the appliance.
-

WARNING



IT IS HAZARDOUS FOR ANYONE OTHER THAN AUTHORISED SERVICE PERSONNEL TO CARRY OUT SERVICING OF REPAIRS WHICH INVOLVE THE REMOVAL OF COVERS.



TO AVOID THE RISK OF AN ELECTRICAL SHOCK DO NOT ATTEMPT REPAIRS YOURSELF.

Thank you

for purchasing your new Kenwood Fridge Freezer.

These operating instructions will help you use it properly and safely.

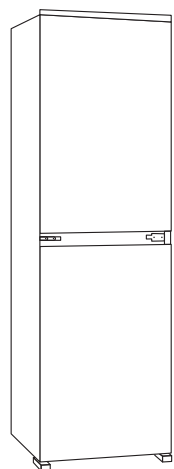
We recommend that you spend some time reading this installation/instruction manual in order that you fully understand all the operational features it offers.

Read all the safety instructions carefully before use and keep this installation/instruction manual for future reference.

unpacking

Remove all items from the packaging. Retain the packaging. If you dispose of it please do so according to local regulations.

The following items are included:



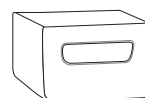
The Main Unit



Fridge Glass Shelf x 3



Salad Bin Cover Shelf



Salad Bin



Upper Fridge Door Shelf



Middle Fridge Door Shelf



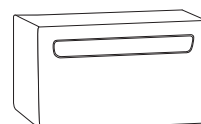
Lower Fridge Door Shelf



Freezer Glass Shelf



Small Freezer Drawer x 2



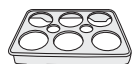
Large Freezer Drawer



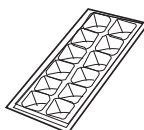
Wine Rack



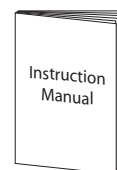
Fridge Door Shelf Flap



Egg Tray x 2



Ice Tray



Instruction Manual



If items are missing or damaged please contact Partmaster (UK only).
Tel: 0344 800 3456 for assistance.

installation

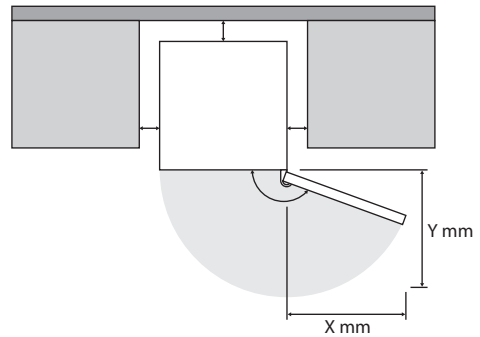
location

When selecting a position for your unit you should make sure the floor is flat and firm, and the room is well ventilated with an average room temperature of between 16°C and 38°C. Avoid locating your unit near a heat source, e.g. cooker, boiler or radiator. Also avoid direct sunlight as it may increase the electrical consumption. Extreme cold ambient temperatures may also cause the unit not to perform properly. This unit is not designed for use in a garage or outdoor installation. Do not drape the unit with any covering.

free space requirements

When installing the unit, ensure that 25 mm of free space is left at both sides, 50 mm at the rear of the unit and 25 mm at the top of the unit. The door can be opened to the right or the left, depending on which best suits the location.

Please ensure there is more than twice the width and depth distance space of the unit to fully open the door to a maximum angle.



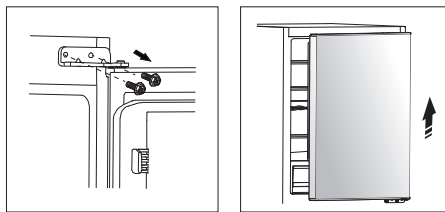
reversing the door swing

tools required: Philips style screwdriver / Flat bladed screwdriver / Hexagonal spanner

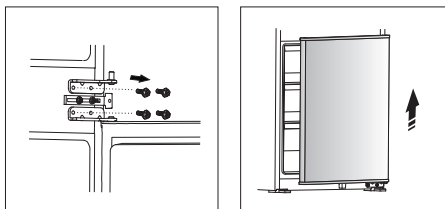


- Ensure the unit is unplugged and empty.
- To take the door off it is necessary to tilt the unit backwards. You should rest the unit on something solid, e.g. a chair just below the top panel.
- All parts removed must be saved to do the reinstallation of the door.
- Do not lay the unit flat as this may damage the coolant system.
- We recommend that 2 people handle the unit during assembly.
- If you want to have the door swing reversed, we recommend that you contact a qualified technician. You should only try to reverse the door yourself if you believe that you are qualified to do so.

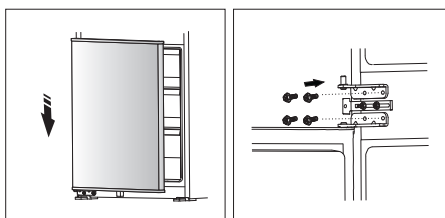
1. The side at which the door opens can be changed from the right side (as supplied) to the left side, if the installation site requires. Tilt the appliance slightly towards the rear and prop it securely. Unscrew the door hinge screws and remove the hinge pin bracket. Open the door a little way and lift it out upwards.



2. Unscrew the middle hinges and remove, then remove freezer door. Unscrew the lower hinge.
3. Screw the lower hinge to the opposite side, then replace the freezer door and hold in position.



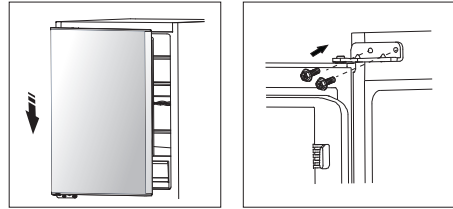
4. After placing the freezer door, screw the middle hinge back onto the opposite side of the unit.



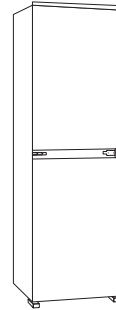
- Ensure the freezer door is aligned horizontally and vertically, so that the seals are closed on all sides before finally tightening the hinge.

installation

5. Slot upper door into middle hinge pin and hold in position. Screw the upper hinge onto the opposite side of the unit.



6. With the door closed, check that the door is aligned horizontally and vertically and that the seals are closed on all sides before finally tightening the hinge.



cleaning before use

Wipe the inside of the unit with a weak solution of bicarbonate soda. Then rinse with warm water using a sponge or cloth. Wipe completely dry before replacing the drawers. Clean the exterior of the unit with a damp cloth.

If you require more information refer to the **Cleaning** section.



- **Before Plugging in YOU MUST**

Check that you have a socket which is compatible with the plug supplied with the unit.

- **Before Turning On!**

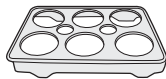
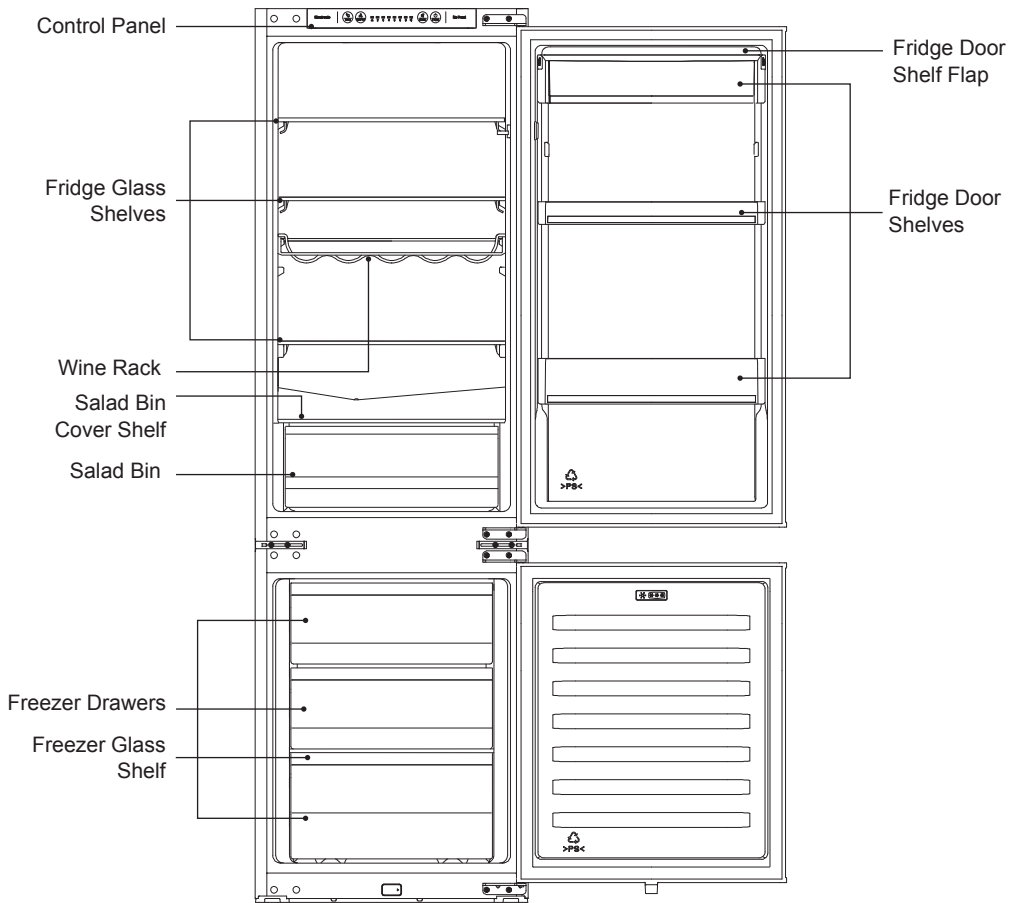
Do not turn on until two hours after moving the unit. The coolant fluid needs time to settle.

before using your unit

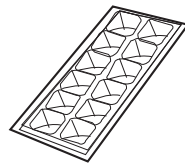
Before placing any food in your unit, turn it on and wait for 24 hours, to make sure it is working properly and to allow it time to fall to the correct temperature. Your unit should not be overfilled.

product overview

main unit



Egg Tray x 2

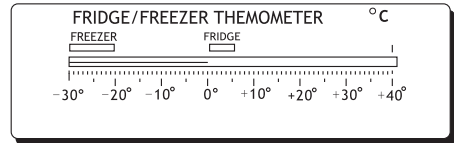


Ice Tray

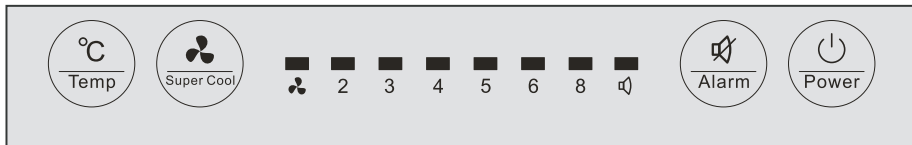
operation

switching on your unit

1. Connect the mains cable to the mains socket. The lights on the control panel will light up for 3 seconds and there will be a long beep. The default temperature for the unit is 5°C.
2. To ensure that the unit is cool enough to sufficiently chill your food, wait 24 hours before filling it with food.
3. If you are concerned that your unit is not being kept cold enough and wish to check the temperature, you will need a special fridge/freezer thermometer. These are available from most supermarkets and hardware shops. Place the thermometer in either the fridge or freezer compartment and leave overnight. The correct temperature for the fridge compartment should be at the recommended 5°C or lower. The correct temperature for the freezer compartment should be -18°C or lower.



control panel



1. Press the Temp button to adjust the temperature of the unit. The corresponding indicator will light up to display current setting.



2. Press Super Cool button to activate Super Cool mode. The unit's temperature will decrease more rapidly than normal. The Super Cool and 2°C indicators will light up. Super Cool mode will automatically switch off after 3 hours.



3. If abnormal conditions are detected, the alarm indicator will flash and a buzzer will sound. Press the Alarm button to deactivate. Alarm will sound if the door is left open for over 2 minutes. Closing the door will deactivate the alarm.



4. The unit can be switched on or off by pressing this button.

adjusting the temperature

Press the Temp button to adjust the internal temperature of the unit. The corresponding indicator will light up to display the current setting.

noises inside the unit!

You may notice that your unit makes some unusual noises. Most of these are perfectly normal, but you should be aware of them!

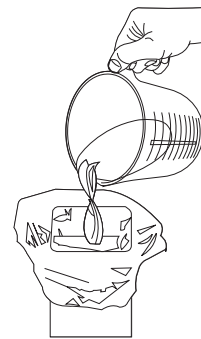
These noises are caused by the circulation of the refrigerant liquid in the cooling system. It has become more pronounced since the introduction of CFC free gases. This is not a fault and will not affect the performance of your unit. This is the compressor motor working, as it pumps the refrigerant around the system.

tips for keeping food in the unit

- Cooked meats/fishes should always be stored on a shelf above raw meats/fishes to avoid bacterial transfer. Keep raw meats/fishes in a container which is large enough to collect juices and cover it properly. Place the container on the lowest shelf.
- Leave space around your food, to allow air to circulate inside the compartments. Ensure all parts of the unit are kept cool.
- To prevent transfer of flavours and drying out, pack or cover the food separately. Fruit and vegetables do not need to be wrapped.
- Always let pre-cooked food cool down before you put in the unit. This will help to maintain the internal temperature of the unit.
- To prevent cold air escaping from the unit, try to limit the number of times you open the doors. We recommend that you only open the doors when you need to put food in or take food out.

preparations for freezing

- Use quality food and handle it as little as possible. Freeze food in small quantities as it freezes faster, takes less time to defrost and enables you to control the quantity you need better.
- Leave cooked food to cool completely. Chill food before freezing if possible.
- Consider how you will want to cook the food before freezing it.
- Don't freeze food in metal containers if you may want to microwave it straight from the freezer.
- Use special freezer bags, freezer film, polythene bags, plastic containers, and aluminium foil (heavy duty grade only). If in doubt, double wrap your food. Don't use aluminium foil for acidic foods, e.g. citrus fruits. Don't use thin cling film, glass, or used food containers without cleaning.
- Exclude as much air from the container as possible. You could buy a special vacuum pump which sucks excessive air out of the packaging.
- Leave a small amount of air space when freezing liquids to allow expansion.
- You can use the space in the freezer most efficiently if you freeze liquids (or solids with liquids, e.g. stew) in square blocks. This is known as "Preforming". Pour the liquid into a polythene bag which is inside a square sided container. Freeze it, and then remove it from the container and seal the bag.
- Label your frozen foods as they will look the same when in frozen state. Use special freezer tapes, labels and pens with different colours. This allows you to easily organise and to effectively use the freezer. Write the contents and date; otherwise the frozen food might exceed the storage time and this could cause food poisoning. Please refer to your food packaging for the recommended storage time.
- You may also add the weight and cooking notes, e.g. "defrost first", "cook from frozen" and keep a separate log of what is in each drawer. This will save opening the door and searching around unnecessarily.



defrosting frozen food

1. Take the frozen food out from the freezer compartment and uncover the frozen food. Let it defrost at room temperature. Don't forget that defrosting in a warm area encourages the growth of bacteria and low temperature cooking may not destroy dangerous bacteria.
2. Drain off and throw away any liquid lost during defrosting.
3. Always make sure there are no ice-crystals in the food before cooking, particularly with meat. These crystals indicate that the food has not fully defrosted.
4. Cook food as soon as possible after defrosting.
5. Many microwaves and ovens have a defrost setting. To avoid bacterial build up, only use these if you intend to cook the food immediately afterwards.



Never re-freeze anything that has been defrosted unless you cook it again, to kill off harmful bacteria. Never re-freeze defrosted shellfish. Re-seal packs properly after removing items. This prevents drying or freezer-burn and a build up of frost on any remaining food.

cleaning

cleaning the interior and the exterior of the unit

- Remove all the shelves and drawers.
- Wipe the inside of the unit with a weak solution of bicarbonate soda and then rinse with warm water using a sponge or cloth. Wipe completely dry before replacing the shelves, drawers and salad bin.
- Use a damp cloth to clean the exterior, and then wipe with a standard furniture polish. Make sure that the doors are closed to avoid the polish getting on the magnetic door seals or inside the unit.
- The grille of the condenser at the back of the unit and the adjacent components can be vacuumed using a soft brush attachment.

maintenance

changing the internal LED light

The internal light is an LED panel that cannot be changed by the user. Please contact a qualified service agent.

care when handling / moving your unit

Hold the unit around its sides or base when moving it. Under no circumstances should it be lifted by holding the edges of the top surface.

servicing

The unit should be serviced by an authorised engineer and only genuine spare parts should be used. Under no circumstances should you attempt to repair the unit yourself. Repairs carried out by inexperienced persons may cause injury or serious malfunction. Contact a qualified technician.

switching off for long periods of time

When the unit is not in use for a long period of time, disconnect it from the mains supply, empty all food and clean the appliance, leaving the door ajar to prevent unpleasant smells.

condensation

Condensation may appear on the outside of the unit. This may be due to a change in room temperature. Wipe off any moisture residue. If the problem continues, please contact a qualified technician for assistance.

disposal

Old units still have some residual value. An environmentally friendly method of disposal will ensure that valuable raw materials can be recovered and used again. The refrigerant used in your unit and insulation materials require special disposal procedures. Ensure that none of the pipes on the back of the unit are damaged prior to disposal.

Up to date information concerning options of disposing of your old unit and packaging from the new one can be obtained from your local council office.

When disposing of an old unit break off any old locks or latches and remove the door as a safeguard.

specifications

Rated Voltage	220-240V~, 50 Hz
Rated Current	0.7 A
Rated Power	Defrost: 130 W
Dimension (H x W x D)	1772 x 540 x 540 mm

Features and specifications are subject to change without prior notice.

product fiche

Brand	Kenwood
Model	KIFF7017
Household Appliance Category	7
Energy Efficiency Class	A+
Energy consumption 269 kWh per year , based on standard test results for 24 hours. Actual energy consumption will depend on how the appliance is used and where it is located.	
Fridge Storage Volume	183 L
Freezer Storage Volume	57 L (4-star)
Frost-free for the freezer compartment.	
Temperature Rise Time	12 hours
Freezing Capacity	3 kg / 24 hours
Climate Class	N, ST This appliance is intended to be used at an ambient temperature between 16°C and 38°C.
Airborne Acoustical Noise	39 dB(A) re 1 pW

Need Help with your product?

Your product is supported by Knowhow
under a Trademark Licence from Fisher & Paykel Appliances Italy SpA.

For help or spare parts please call us on:

0344 561 1234



The symbol on the product or its packaging indicates that this product must not be disposed of with your other household waste. Instead, it is your responsibility to dispose of your waste equipment by handing it over to a designated collection point for the recycling of waste electrical and electronic equipment. The separate collection and recycling of your waste equipment at the time of disposal will help conserve natural resources and ensure that it is recycled in a manner that protects human health and the environment.

For more information about where you can drop off your waste for recycling, please contact your local authority, or where you purchased your product.

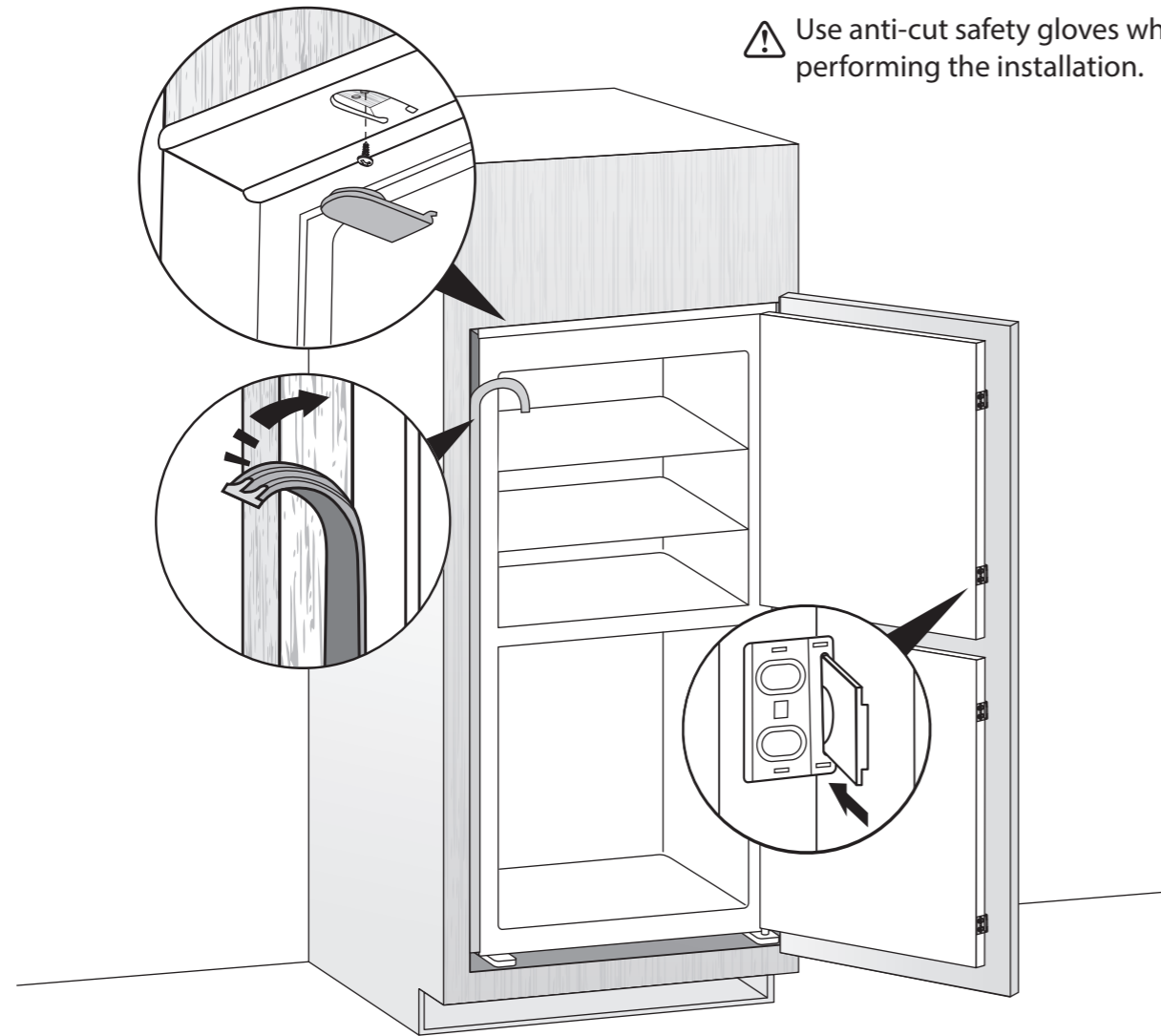
DSG Retail Ltd. (co. no. 504877)
1 Portal Way, London, W3 6RS, UK

Manufactured for DSG Retail Limited under Licence from Fisher & Paykel Appliances Italy SpA.
DSG Retail Limited is responsible for after sales service.

KENWOOD

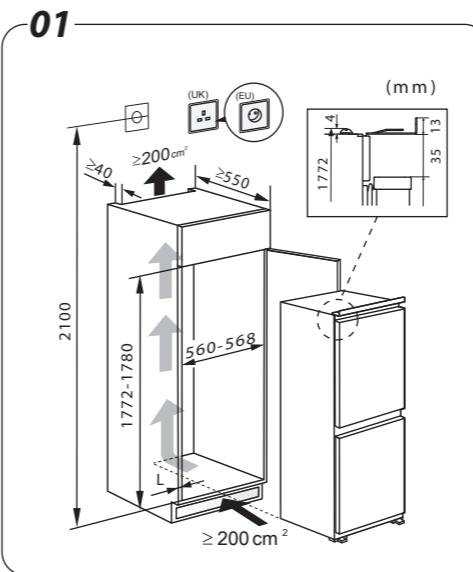
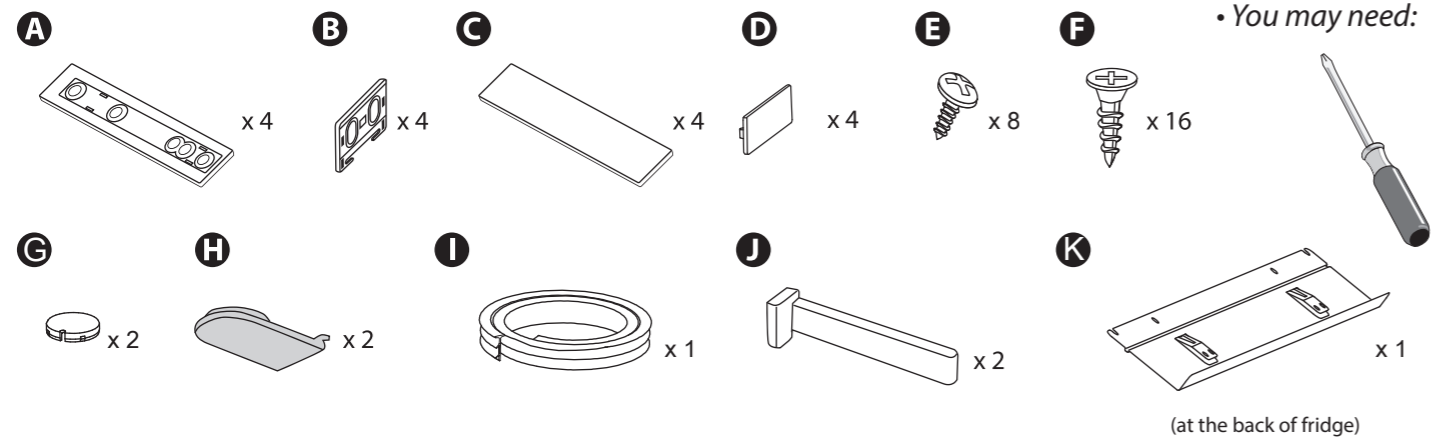
Built-In Fridge Freezer KIFF7017

installation instructions

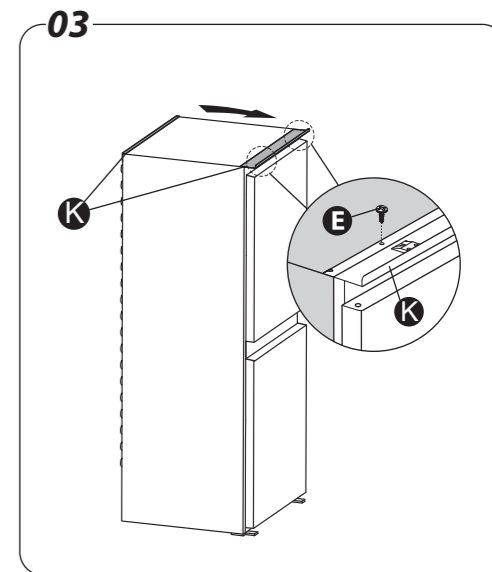
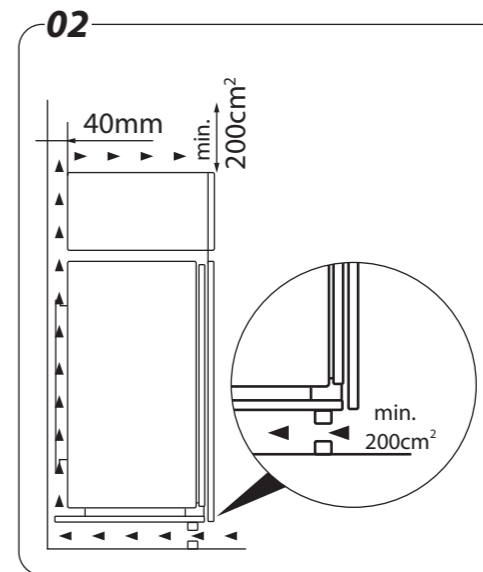


⚠ Use anti-cut safety gloves whilst performing the installation.

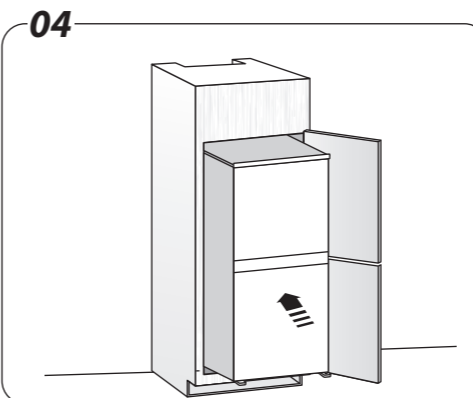
PARTS LIST



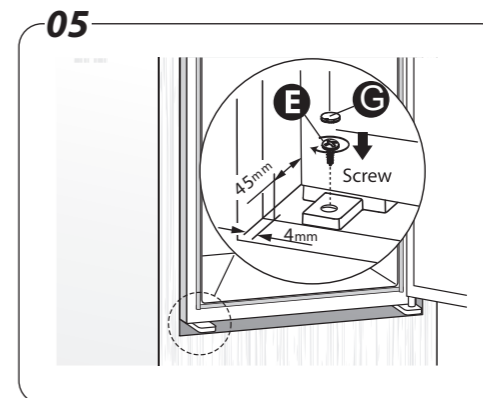
Ensure there is clearance each side of the unit to allow slight sideways movement for servicing when required.



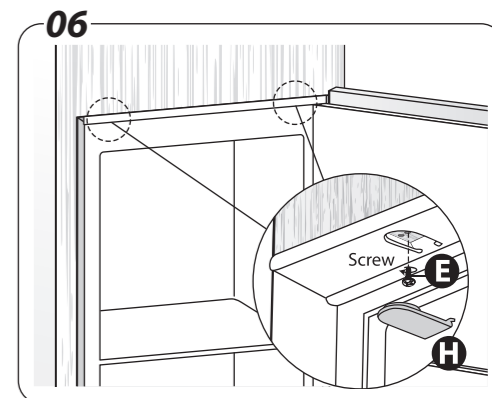
Remove part K from the rear and reattach to the front. Tighten the top hinge bracket.



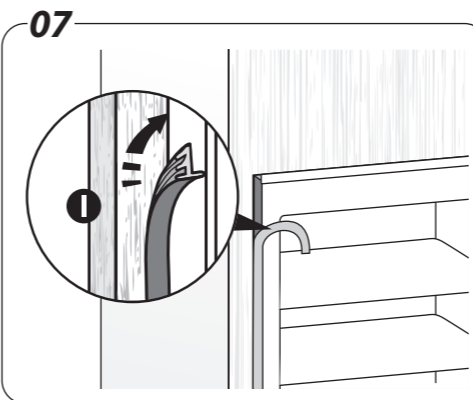
Slowly and carefully push the unit into the installation compartment.



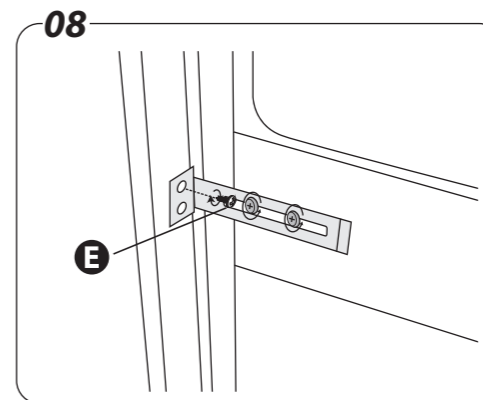
Tighten the bottom hinge and place the cover on top.



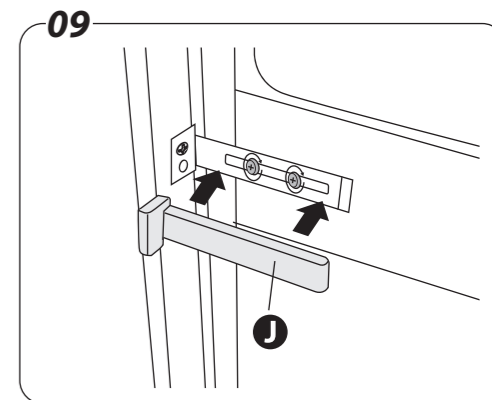
Tighten the top hinge brackets and place the screw cover.



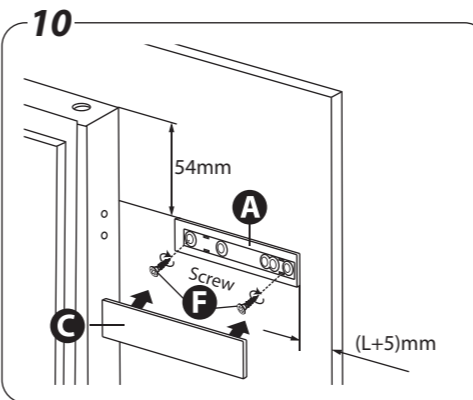
Cut the rubber strip to length and place at the sides of the cabinet cover. If the strip is curved, it can become straight again by heating with a hair dryer.



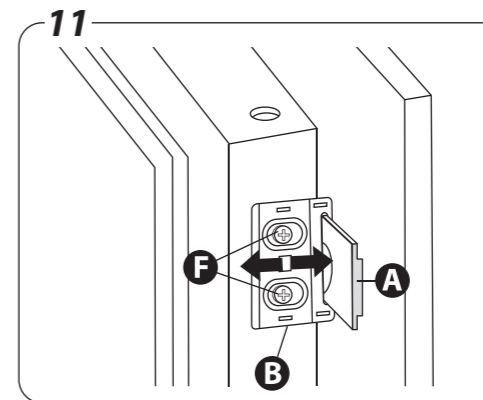
Loosen the screws slightly to adjust the bracket placement until it's in contact with the cabinet, then tighten the screws to the cabinet.



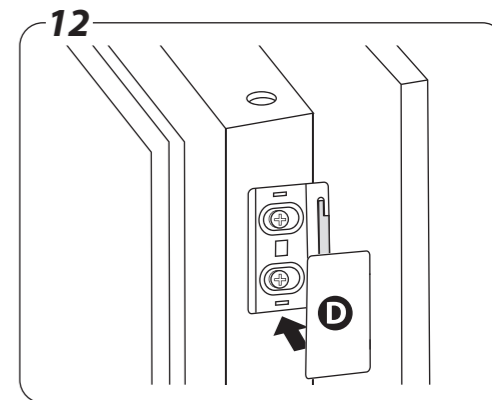
Tighten the screws and place the cover.



Ensure the correct measurement is used for the installation of Part A. Tighten the screws and place Cover C onto Part A.



Adjust the position of Part B, make sure Part A can smoothly slide into Part B.



Tighten the screws and place the Cover D onto Part B.