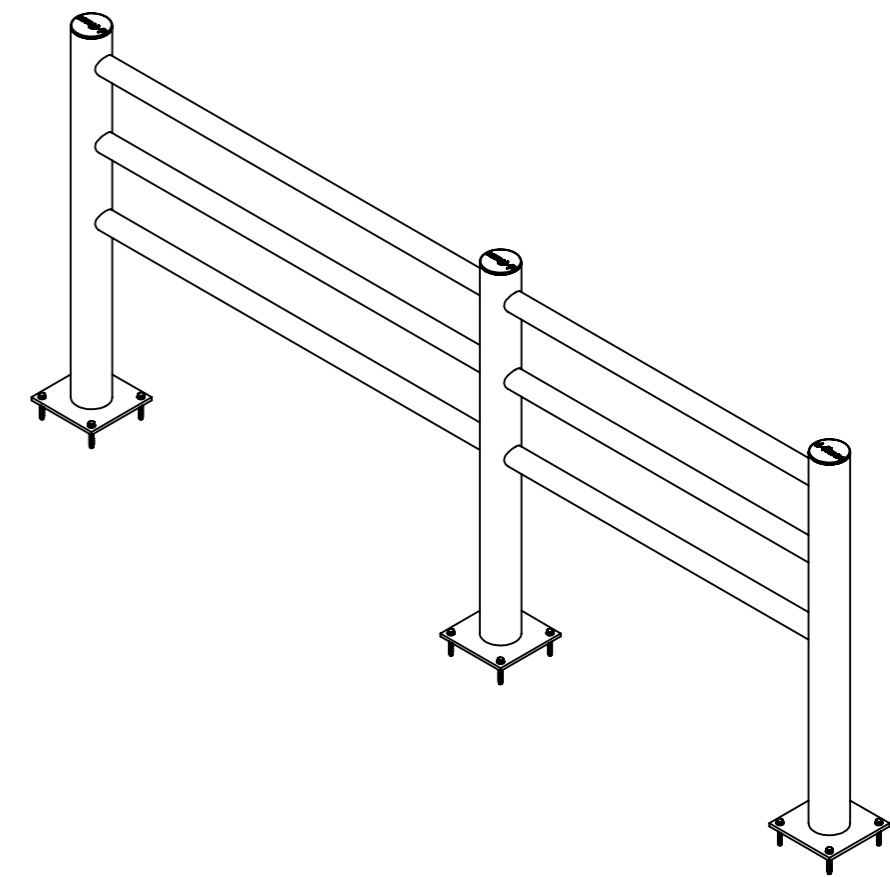
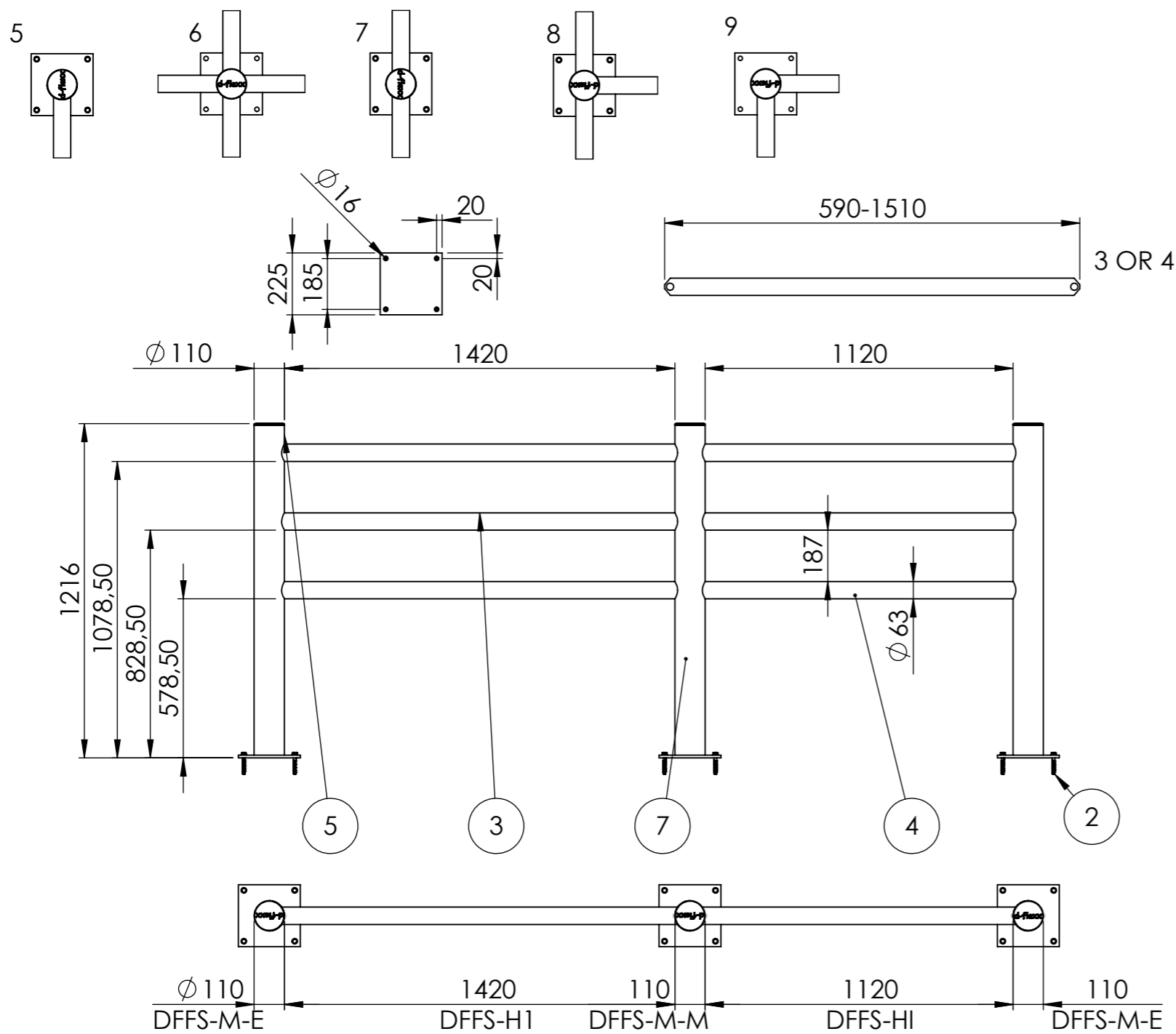


Delta 72000_S



ITEM NO.	PART NUMBER	DESCRIPTION
1	980.01-2	Metal foot
2	75001	Fischer Ultracut FBS II
3	DFFS-H1	Standard Beam 1510 mm
4	DFFS-HI	Individual Beam 590-1510 mm
5	DFFS-M-E	End post
6	DFFS-M-K	Plus post
7	DFFS-M-M	Middle post
8	DFFS-M-T	T post
9	DFFS-M-W90	Corner post



DESIGNER: CHRISTIAN POULSEN DATE: 09-03-2018 SCALE:1:20 SIZE:A3
 LAST SAVED BY: christian LAST SAVED DATE:16-03-2018



All rights strictly reserved. Reproduction or issue to third parties in any form whatever, is not permitted without written authority from the proprietor

TOLERANCES:
 MATERIAL: PE
 COLOR: Black & Yellow
 DRAWING NO.: 72000_S
 TITLE: Delta
 SHEET 1 OF 1

All dimensions are in mm unless otherwise specified