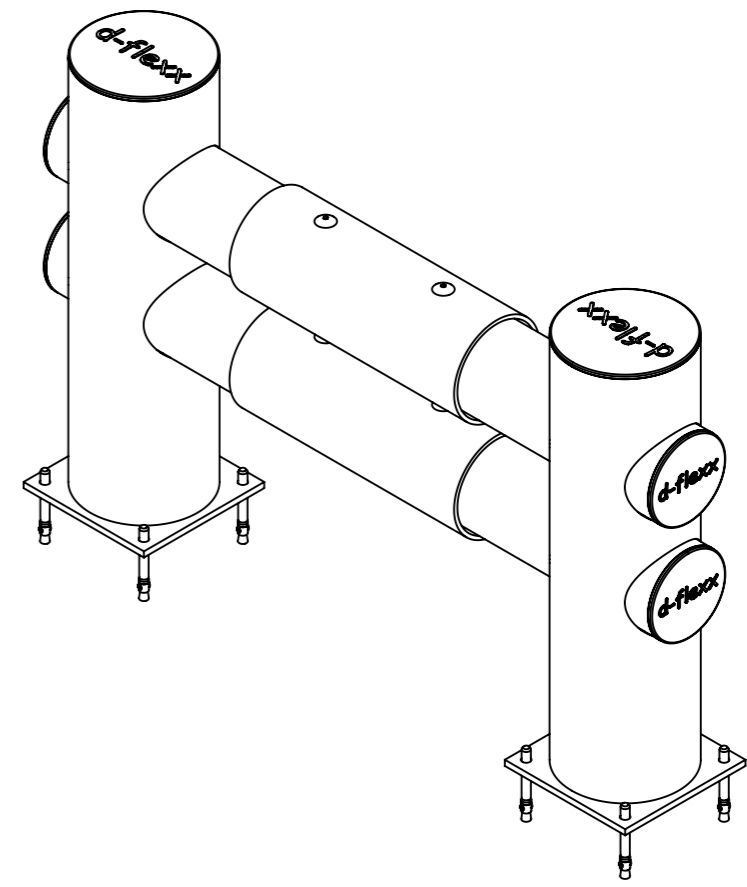


DFRE2-2



HOTEL + GOLF

ITEM NO.	PART NUMBER	DESCRIPTION	QTY.
1	77035		2
2	77012		2
3	71031	M12x170 Grade 4.8	4
4	71032	Nut	4

DESIGNER:	CASPER SPARSØ				DATE:	12-09-2017	SCALE:	1:10
Version:	V1	V2	V3	V4	V5			
DATE:								
APPROVED:								



All rights strictly reserved. Reproduction or issue to third parties in any form whatever, is not permitted without written authority from the proprietor

TOLERANCES:
MATERIAL:
COLOR:
DRAWING NO.: DFRE2-2
TITLE:
SHEET 1 OF 1