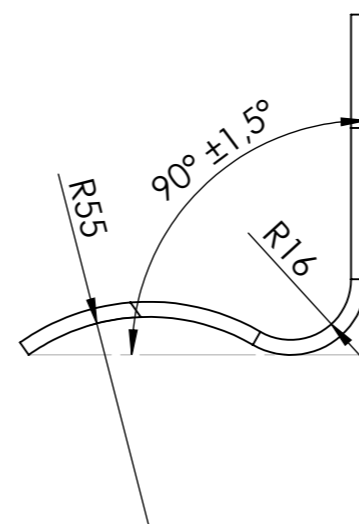
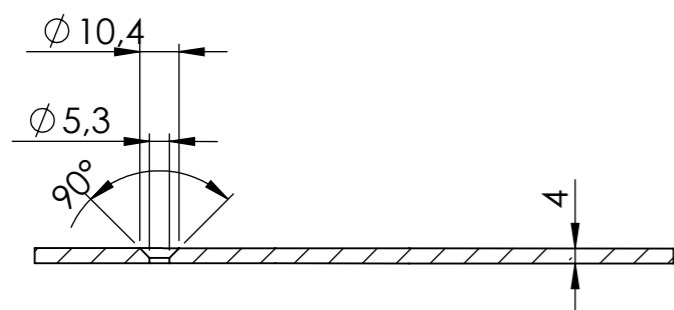
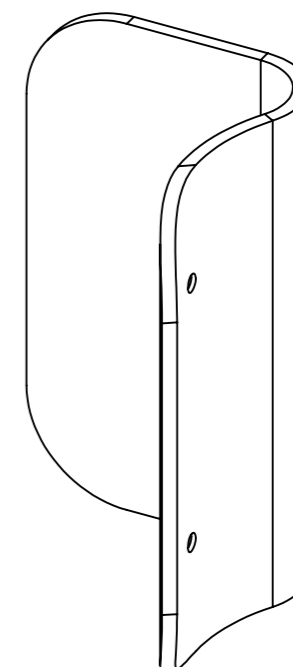


Bended



Stop for gate 72118



SECTION A-A

DESIGNER: CHRISTIAN POULSEN	DATE: 07-05-2018	SCALE:1:2	SIZE:A3
LAST SAVED BY: Frederik	LAST SAVED DATE:20-12-2018		
 PERFORMANCE IN MIRRORS <small>All rights strictly reserved. Reproduction or issue to third parties in any form whatever, is not permitted without written authority from the proprietor</small>	RAW MATERIAL:		
	TOLERANCES: ISO 2768-1, Medium		
	MATERIAL: Sheet Metal (Steel)		
	COLOR: RAL 9005 - half matt, 45% gloss		
	DRAWING NO.: 72118		
TITLE: Stop for gate			SHEET 1 OF 1