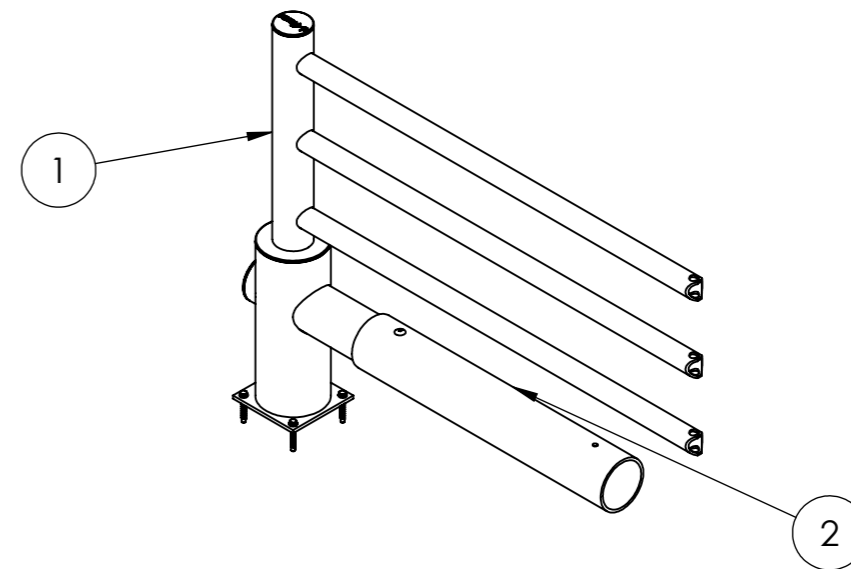



DFVB+AS



\*Fixing material included

ITEM NO.	DESCRIPTION	QTY.
1	End post	1
2	Standard beam set	1

All dimensions are in mm unless otherwise specified

DESIGNER: Frederik Carlsson	DATE: 28-08-2019	SCALE: 1:20	SIZE: A3
LAST SAVED BY: frederik carlsson	LAST SAVED DATE: 05-03-2020		
 <b>dancop</b> PERFORMANCE IN MIRRORS <small>All rights strictly reserved. Reproduction or issue to third parties in any form whatever, is not permitted without written authority from the proprietor</small>	RAW MATERIAL:		
	TOLERANCES: ISO 2768-1, Medium		
	MATERIAL:		
	COLOR:		
DRAWING NO.: DFVB+AS			TITLE:
SHEET 1 OF 1			