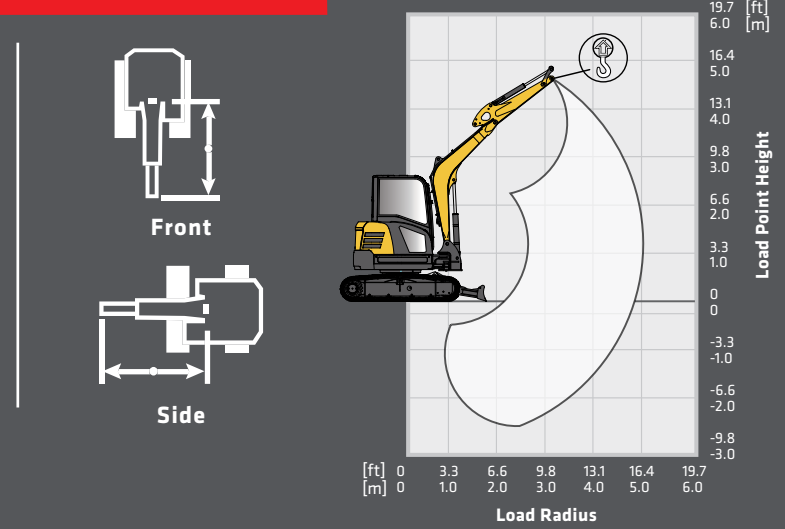


# SY50U LIFTING PERFORMANCE

Standard 8' 10" (2 700 mm) Boom  
 Standard 4' 11" (1 500 mm) Arm  
 Standard 16" (400 mm) Track Shoes  
 No Bucket

Ratings are based on ISO 10567:2007. Lift capacity does not exceed 75% of tipping load with the machine on firm, level ground or 87% of hydraulic lifting capacity.



## BLADE DOWN

LOAD RADIUS	6.6 ft 2.0 m		9.8 ft 3.0 m		13.1 ft 4.0 m		16.4 ft 5.0 m		MAX REACH	
LOAD POINT HEIGHT										
13.1 ft 4.0 m									2,387 lb* 1 085 kg*	1,859 lb 845 kg
9.8 ft 3.0 m					2,310 lb* 1 050 kg*	1,793 lb 815 kg			2,310 lb* 1 050 kg*	1,441 lb 655 kg
6.6 ft 2.0 m			3,399 lb* 1 545 kg*	2,618 lb 1 190 kg	2,618 lb* 1 190 kg*	1,738 lb 790 kg			2,321 lb* 1 055 kg*	1,276 lb 580 kg
3.3 ft 1.0 m			4,444 lb* 2 020 kg*	2,442 lb 1 110 kg	3,003 lb* 1 365 kg*	1,672 lb 760 kg	2,376 lb* 1 080 kg*	1,232 lb 560 kg	2,365 lb* 1 075 kg*	1,221 lb 555 kg
0 ft 0 m			4,763 lb* 2 165 kg*	2,365 lb 1 075 kg	3,179 lb* 1 445 kg*	1,617 lb 735 kg			2,420 lb* 1 100 kg*	1,265 lb 575 kg
-3.3 ft -1.0 m	6,017 lb* 2 735 kg*	4,400 lb 2 000 kg	4,345 lb* 1 975 kg*	2,365 lb 1 075 kg	2,915 lb* 1 325 kg*	1,617 lb 735 kg			2,442 lb* 1 100 kg*	1,441 lb 655 kg
-6.6 ft -2.0 m	4,697 lb* 2 135 kg*	4,510 lb 2 050 kg	3,014 lb* 1 370 kg*	2,420 lb 1 100 kg					2,288 lb* 1 040 kg*	1,991 lb 905 kg

## BLADE UP

LOAD RADIUS	6.6 ft 2.0 m		9.8 ft 3.0 m		13.1 ft 4.0 m		16.4 ft 5.0 m		MAX REACH	
LOAD POINT HEIGHT										
13.1 ft 4.0 m									2,255 lb 1 025 kg	1,859 lb 845 kg
9.8 ft 3.0 m					2,167 lb 985 kg	1,793 lb 815 kg			1,738 lb 790 kg	1,441 lb 655 kg
6.6 ft 2.0 m			3,267 lb 1 485 kg	2,618 lb 1 190 kg	2,112 lb 960 kg	1,738 lb 790 kg			1,540 lb 700 kg	1,276 lb 580 kg
3.3 ft 1.0 m			3,080 lb 1 400 kg	2,442 lb 1 110 kg	2,035 lb 925 kg	1,672 lb 760 kg	1,496 lb 680 kg	1,232 lb 560 kg	1,485 lb 675 kg	1,221 lb 555 kg
0 ft 0 m			2,992 lb 1 360 kg	2,365 lb 1 075 kg	1,991 lb 905 kg	1,617 lb 735 kg			1,540 lb 700 kg	1,265 lb 575 kg
-3.3 ft -1.0 m	6,017 lb* 2 735 kg*	4,400 lb 2 000 kg	2,981 lb 1 355 kg	2,365 lb 1 075 kg	1,980 lb 900 kg	1,617 lb 735 kg			1,760 lb 800 kg	1,441 lb 655 kg
-6.6 ft -2.0 m	4,697 lb* 2 135 kg*	4,510 lb 2 050 kg	3,014 lb* 1 370 kg*	2,420 lb 1 100 kg					2,288 lb* 1 040 kg*	1,991 lb 905 kg

\* Indicates load limited by hydraulic lifting capacity  
 In the interest of continual equipment development, SANY America Inc. reserves the right to change these specifications at any time without prior notification.

# SY50U

## PRODUCT SPECIFICATIONS



## STANDARD FEATURES

- Zero Tail Swing
- Boom Swing Functionality Allows for Offset Digging in Confined Areas
- Load-Sensing Hydraulic System Provides Increased Efficiency and Control
- Powerful Yanmar Engine

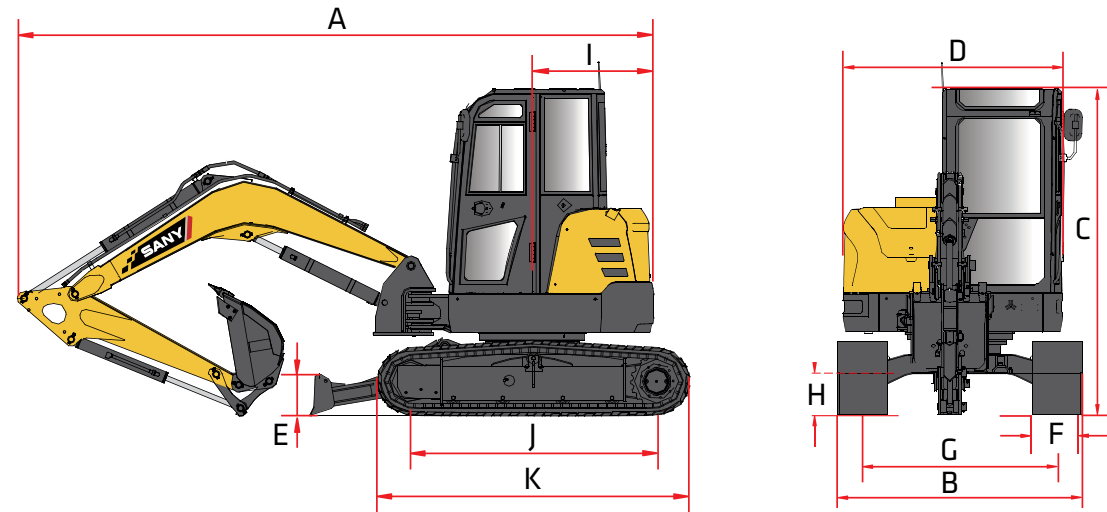
Gross Power  
**39 hp**

Dig Depth  
**11' 3"**

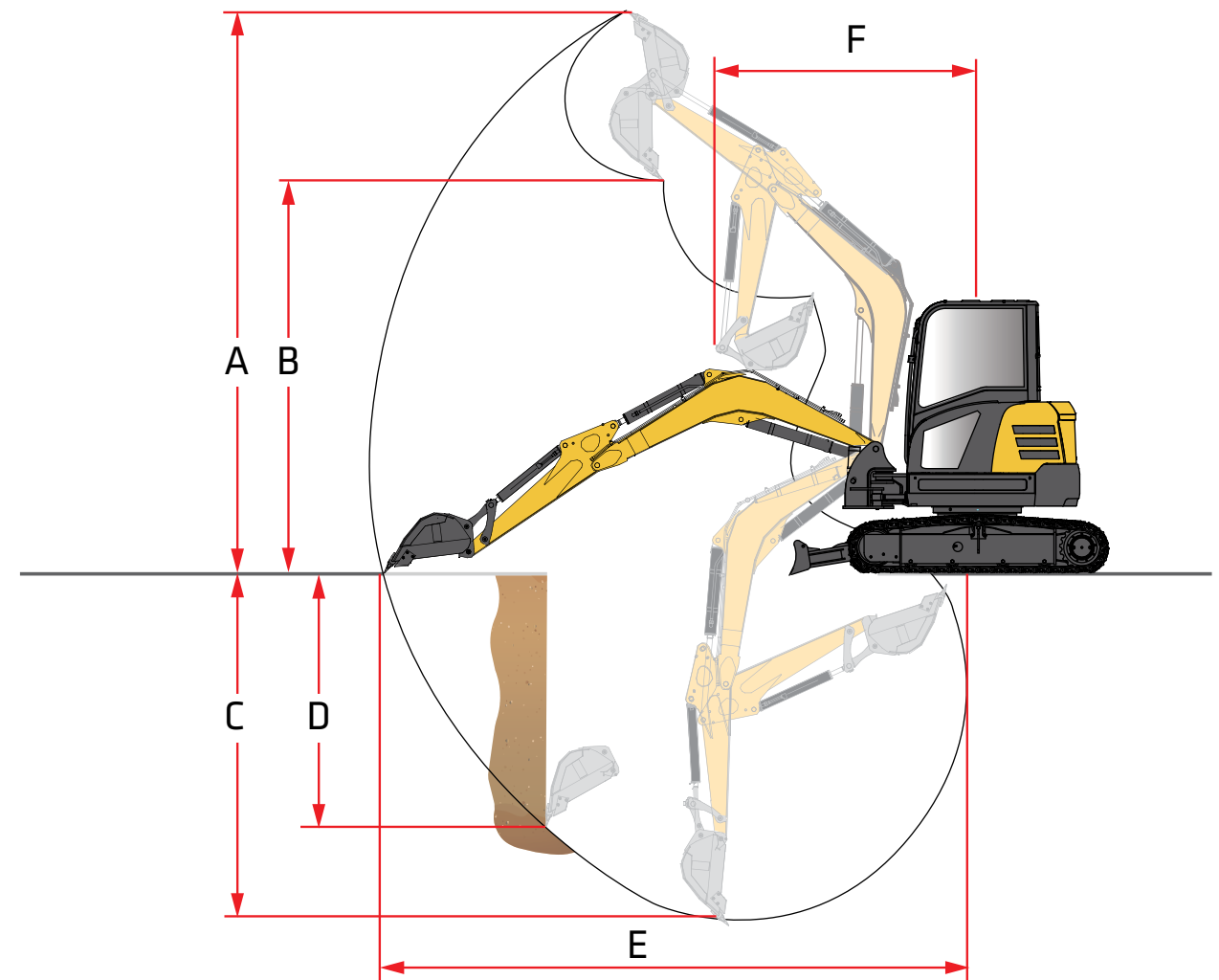
Operating Weight  
**11,684 lbs**

Bucket Breakout  
**7,306 lbf**

DIMENSIONS



WORKING RANGE



Built to work in tight spaces with optimal power and control

TECHNICAL SPECIFICATIONS

Operating Weight	11,684 lb	5 300 kg
Ground Pressure	4.6 psi	31.6 kPa
<b>Engine</b>	Yanmar 4TNV88C-PSY2	
Displacement	134.3 in <sup>3</sup>	2.2 L
Gross Power	39 HP	29.1 kW
<b>Hydraulics</b>	Load Sensing with Pilot Control	
Main Hydraulic Pump	Axial Piston – Variable Displacement	
Operating Flow (maximum)	29.1 gal/min	110.0 L/min
Operating Pressure (maximum)	3,553 psi	24.5 MPa
Primary Auxiliary Flow (maximum)*	18 gal/min	70 L/min
Primary Auxiliary Pressure (maximum)	3,626 psi	25 MPa
Secondary Auxiliary Flow (maximum)*	12 gal/min	45 L/min
Secondary Auxiliary Pressure (maximum)	3,626 psi	25 MPa
<b>Travel Motor</b>	Axial Piston with Park Brake	
Travel Pressure (maximum)	3,553 psi	24.5 MPa
Travel Speeds (maximum)	1.7 / 2.5 mph	2.7 / 4.0 km/hr
Travel Effort (maximum)	9,150 lbf	40.7 kN
Grade Capability (maximum)	35°	
<b>Swing Motor</b>	Axial Piston with Swing Brake	
Swing Pressure (maximum)	2,770 psi	19.1 MPa
Swing Speed (maximum)	10 RPM	
<b>Undercarriage (standard)</b>	Belted Rubber Track	
Track Shoe width (standard)	16"	400 mm
Track Rollers (per side)	4	
Carrier Rollers (per side)	1	

DIMENSIONS

Boom Length	8' 10"	2 700 mm
Stick (Arm) Length	4' 11"	1 500 mm
A Transport Length	17' 8"	5 390 mm
B Transport Width	6' 5"	1 960 mm
C Transport Height	8' 8"	2 630 mm
D Upper Structure Width	5' 9"	1 760 mm
E Blade Height	13"	330 mm
F Track Width (standard shoe)	16"	400 mm
G Track Gauge	5' 1"	1 560 mm
H Ground Clearance (minimum)	13"	325 mm
I Tail Swing Radius	3' 3"	980 mm
J Track Length on Ground	6' 6"	1 990 mm
K Track Length	8' 3"	2 510 mm

SERVICE REFILL CAPACITIES

Fuel Tank Capacity	20.6 gal	78.0 L
Hydraulic Tank Capacity	13.7 gal	52.0 L
Engine Oil Capacity	2.0 gal	7.4 L
Cooling System Capacity	1.1 gal	4.2 L

WORKING RANGE

Boom Length	8' 10"	2 700 mm
Stick (Arm) Length	4' 11"	1 500 mm
A Maximum Digging Height	17' 11"	5 450 mm
B Maximum Dumping Height	12' 6"	3 805 mm
C Maximum Digging Depth	11' 3"	3 420 mm
D Maximum Vertical Wall Digging Depth	8' 1"	2 460 mm
E Maximum Reach at Ground Level	19' 3"	5 880 mm
F Minimum Swing Radius	8' 3"	2 520 mm

DIGGING PERFORMANCE

Boom Length	8' 10"	2 700 mm
Stick (Arm) Length	4' 11"	1 500 mm
Bucket Breakout Force (ISO)	7,306 lbf	32.5 kN
Stick (Arm) Digging Force (ISO)	5,148 lbf	22.9 kN

\*Based on theoretical calculation at max flow with no load. Subject to alterations.  
 In the interest of continual equipment development, SANY America, Inc. reserves the right to change these specifications at any time without prior notification.  
 ©2022 SANY America Inc. HEXPS22SY50U001

In the interest of continual equipment development, SANY America, Inc. reserves the right to change these specifications at any time without prior notification.  
 ©2022 SANY America Inc. HEXPS22SY50U001