

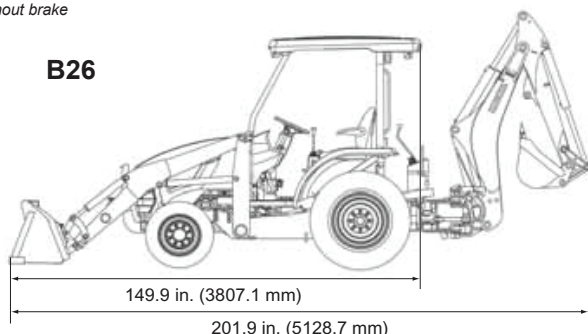
### L39 TRACTOR SPECIFICATIONS

<b>Engine</b>	Gross power (SAE)	37.4 HP (27.9 kw)
	Net power (SAE)	35.5 HP (26.5 kw)
	Total displacement	111.4 cu.in. (1826 cm <sup>3</sup> )
	No. of cylinders	3
	Rated speeds	2700 rpm
	Air cleaner	Dual element
<b>Max. PTO power</b>		29.1 HP (21.7 kw)
<b>Fuel tank capacity</b>		10.6 gal (40 liters)
<b>Tire size</b>	Front	27 × 10.5–15 R4
	Rear	15–19.5 R4
<b>Wheelbase</b>		68.9 in. (1750 mm)
<b>Tread</b>	Front	45.9 in (1165 mm)
	Rear	51.8 in (1315 mm)
<b>Weight with Loader, Backhoe and ROPS/FOPS*<sup>1)</sup></b>		6987 lbs (3170 kg)* <sup>1)</sup>
<b>Min. turning radius*<sup>3)</sup></b>		10.5 ft. (3.2 m)
<b>Rear PTO</b>		540 rpm, Independent
<b>Clutch</b>		Dry, single
<b>Power steering</b>		Hydrostatic
<b>Transmission</b>	Type	GST
	No. of speeds	F12, R8
	Max. traveling speed	14.3 mph (23.0 km/h)
	Range shift lever position	Main: Seat side, right Shuttle: Steering column, left
<b>Synchro</b>		Fully synchronized
<b>Shuttle shift</b>		Standard
<b>Brake type</b>		Wet disc
<b>Hydraulic system</b>	Pump capacity	22.7 GPM (85.9 ℓ/min)* <sup>2)</sup>
	3-point hitch lift capacity at 24 in. (610 mm) behind lift point	2800 lbs (1270 kg)
	Position control	Standard
<b>3-point hitch (Category I)</b>		Standard
<b>ROPS/FOPS</b>		4-post, Standard
<b>Others</b>	Hard nose slanted hood	Standard
	Loader-integrated reinforced frame	Standard
	Horn	Standard
	Loader-integrated reinforced frame	Standard
	Movable seat	Spin in place
	Tilt steering	Standard
	Muffler	Enclosed (w/ spark arrestor)
	Pedals	Hanging type
	Deck	Walk-through deck
	Glow plug	Super glow

\*<sup>1)</sup> With round back loader bucket, 18" backhoe bucket and standard tires.

\*<sup>2)</sup> 10.7 GPM for loader/backhoe, 6 GPM for backhoe boom swing, 6 GPM for power steering.

\*<sup>3)</sup> Without brake



### L39 TL1000 LOADER SPECIFICATIONS

Lift capacity to max. height at bucket bottom mid point:	2200 lbs (1000 kg)
Lift capacity to max. height at pivot pin:	2767 lbs (1255 kgf)
Breakout force at pivot pin:	4605 lbs (20470 N)
Control valve:	One detent float position power beyond circuit hydraulic beyond dual self-leveling valve
Net weight (Approx.):	960 lbs (435 kg)
Auto-leveling mechanism:	Standard, Hydraulic
2 lever quick coupler:	Standard
<b>Operating Dimensions:</b>	
A. Maximum lift height to pivot pin	114.2 in. (2900 mm)
B. Clearance with bucket dumped	90.0 in. (2285 mm)
C. Reach at maximum height	20.5 in. ( 520 mm)
D. Maximum dump angle	45 deg.
E. Reach with bucket on ground	74.0 in. (1880 mm)
F. Bucket rollback angle	45 deg.
G. Digging depth	4.0 in. ( 100 mm)
H. Overall height in carrying position	45.3 in. (1150 mm)
<b>Performance ratings (No load)</b>	
Raise to full height:	3.7 sec.
Lowering time:	3.1 sec.
Attachment rollback time:	2.0 sec.
Attachment dumping time:	1.7 sec.
3rd function valves	Optional 11.1 GPM

\*Tires applied: 27 × 10.5–15 R4 (Front) and 15–19.5 R4 (Rear)

### L39 BT1000A BACKHOE SPECIFICATIONS

Digging force using bucket cylinder (approx.)	5825 lbs (25892 N)
Digging force using dipperstick cylinder (approx.)	3779 lbs (16797 N)
Trunnion type boom swing mechanism	Two cylinders
Net weight (approx.)	1660 lbs (753 kg)
<b>Operating Dimensions:</b>	
A. Transport height	106.3 in. (2700 mm)
B. Stabilizer spread-transport	67.2 in. (1707 mm)
C. Ground clearance	12.3 in. ( 312 mm)
E. Overall width	66.9 in. (1699 mm)
F. Digging depth, maximum	121.0 in. (3073 mm)
G. Digging depth, 2ft. flat bottom	120.0 in. (3048 mm)
H. Digging depth, 8ft. flat bottom	102.2 in. (2596 mm)
J. Operating height, fully raised	157.2 in. (3993 mm)
K. Loading height	91.3 in. (2319 mm)
L. Loading reach	58.7 in. (1491 mm)
M. Reach from swing pivot	160.9 in. (4087 mm)
N. Swing pivot to rear axle center line	38.0 in. ( 965 mm)
P. Bucket rotation	180 deg.
X. Swing arc	180 deg.
R. Stabilizer spread-operating	89.3 in. (2268 mm)
A3. Angle of departure per SAE J1234	19.2 deg.
U. Leveling angle	10.0 deg.
Auxiliary hydraulic valve:	Optional 11.1 GPM

\*The specifications are taken with KUBOTA's L39 tractor.

\*Tire applied: 27 × 10.5–15 R4 (Front) and 15–19.5 R4 (Rear)

