

# E-SERIES COMPACT TRACK LOADERS

319E/323E/329E/333E



JOHN DEERE



# Refined using voice-recognition technology.

When our customers express their opinions, we listen. In the E-Series CTLs, you'll find plenty of those bright ideas such as courtesy lighting for illuminated cab entrance/exit in dark environments. Significantly more power in the top-of-the-line 333E. Increased performance in the 329E. And best-in-class bucket- and boom-breakout forces in the 323E and 319E. More control choices, too, including exclusive switchable electrohydraulic (EH) H-ISO-foot controls. And quieter, more spacious operator stations. Other customer-inspired enhancements include a redesigned rear hood and easier-to-remove/replace heavier-duty engine side shields that simplify servicing. You won't find a more owner- and operator-friendly CTL on the market. But that shouldn't come as a surprise. After all, it's voices like yours that had a hand in making it all happen.





Key specifications	319E	323E	329E	333E
<b>Power</b>	51.7 kW (69 gross hp) / 49.4 kW (66 net hp)	54.8 kW (74 gross hp) 52.5 kW (70 net hp)	64 kW (86 gross hp) / 62 kW (83 net hp)	74.6 kW (100 gross hp) / 72 kW (97 net hp)
<b>Rated Operating Capacity at 35% Tipping Load</b>	976 kg (2,150 lb.)	1176 kg (2,590 lb.)	1317 kg (2,900 lb.)	1498 kg (3,300 lb.)
<b>Breakout Force</b>				
<b>Boom</b>	1589 kg (3,500 lb.)	1952 kg (4,300 lb.)	2088 kg (4,600 lb.)	2996 kg (6,600 lb.)
<b>Bucket</b>	2724 kg (6,000 lb.)	3178 kg (7,000 lb.)	4688 kg (10,325 lb.)	6299 kg (13,875 lb.)
<b>Tipping Load</b>	2789 kg (6,143 lb.)	3360 kg (7,400 lb.)	3768 kg (8,300 lb.)	4279 kg (9,425 lb.)



1. Although not exactly a sunroof, the bolt-on top window on cab-equipped CTLs removes quickly for increased ventilation and/or easy cleaning.

2. Standard courtesy lighting stays on up to 90 seconds after the engine is shut down, illuminating the way for easier exits out of dark barns or off after-hour jobsites.



# Open the door to a more productive day.

When was the first time that “compact” and “comfortable” were accurately used in the same sentence? But with the many refinements found in our E-Series, we can make the claim with a straight face. Large entryways and flat floors allow easier in and out, and provide more foot- and legroom. Operators will also like what they see from the sculpted air-ride or suspension seat. All-around visibility is expansive and second-to-none. The highly efficient HVAC system employs eight automotive-style vents to keep the glass clear and cab comfortable. Plus plenty of other cab amenities including an optional AM/FM weather-band radio with dual speakers help tune-in more productivity.

Flat floor in the 329E/333E provides 33-percent-more comfort-lending foot room. Makes getting in and out of the cab easier, too.

We've got your back with a sculpted mechanical-suspension seat to help smooth the ride. Choose either a cloth or vinyl air-suspension seat in cab-equipped models.

Triple-interlock operator-presence system automatically applies the brakes when the lap bar is raised, the operator leaves the seat, or the engine is shut down.

Storage box, cup holder, and iPod™/cell-phone holder (with nearby 12-volt power port) provide plenty of room to stow your stuff.

Cabs and floors are tightly sealed and pressurized to keep out dust and noise.

Expansive curved front glass, large top window, and low side windows make it easy to see the surrounding jobsite. Even with an expanded engine compartment, best-in-class sightlines provide a clear view of the action behind you, as well.

Adjustable pull-down padded lap bar provides comfortable arm support.

HVAC system employs eight automotive-style louvers to direct warm or cold airflow where it's appreciated most — on the operator. For production-boosting year-round comfort.



1

2

# Set your sites on getting more done.

Put our CTLs to work on your jobsite, and you'll see an instant increase in productivity. With more engine power, the top-of-the-line 333E is our most powerful CTL ever. The 319E/323E's redesigned loader structures deliver best-in-class boom- and bucket-breakout forces. All four models boast optimal weight distribution, low centers of gravity, high ground clearance, and superior balance that provide exceptional agility and stability on slopes. For work on rough terrain, add the ride-control option. It smoothes moves for increased operator comfort. And helps retain a full load all the way to its destination.

1. Fast ground speeds and large bucket capacities enable these nimble material movers to make the most of every cycle. For even more hustle, engage the two-speed transmission. It's standard on the 333E, optional on the 323E and 329E.

2. Superior pushing power and impressive breakout force deliver the leverage and traction to dig in where others just spin. For best-in-class pushing, prying, and digging power.

3. Optional ride control's shock-absorbing boom cylinders cushion bumps for a smoother ride. Help speed navigation over rough ground while retaining the load, too.





Nothing lifts like a Deere. Impressive tipping-load capacities up to 4279 kg (9,425 lb.) empower the E-Series to precisely place pallets and handle other material-handling tasks.

These are our most powerful CTLs ever, delivering five-percent-more net engine power in the 319E and 323E; four-percent-more in the 329E; and 10-percent-more in the 333E.

Larger field-proven ultra-reliable diesels deliver significantly more torque rise and usable power. They meet EPA Interim Tier 4 (IT4)/EU Stage IIIB (329E/333E) and Final Tier 4 (FT4)/EU Stage IV (319E/323E) standards.

Need a little more flotation or a little less width? A 400-mm (15.8 in.) track option lets you decrease ground pressure on the 323E. Or narrow the stance of the 333E.

A change in the weather doesn't have to mean a change in plans. High-flotation tracks let CTLs work when skid steers can't.

Some jobs can be a real stretch. 329E/333E's patented boom design clears high sideboards and even dumps to the center of tandem-axle trucks. 319E/323E's increased truck-bed-height reach makes it easier to load/unload pallets and other materials.



# Your wish is yours to command.

Offering one-of-a-kind options, only our E-Series lets an operator decide how the work gets done. ISO, H-pattern, or foot/joystick electrohydraulic (EH) controls are all available. Or, choose our exclusive switchable EH option that lets you select any of the above, at any time, at the push of a button. That's just for starters. Add the EH Joystick Performance Package, and you can customize vehicle and attachment response. The ultimate people pleasers, our E-Series CTLs truly are all things to all operators.

1. Joystick buttons, rotary switch, and triggers actuate and control the auxiliary hydraulics and flow rates, boom float, and two-speed transmission.







EH joysticks are standard. They're our smoothest and most responsive yet, providing enhanced control and operating ease. Mechanical controls are an option on the 319E/323E.

Now you can have your joysticks and foot pedals, too. Exclusive switchable EH controls allow the operator to choose ISO, H-pattern, or EH joystick and foot controls. Simply press a button on the keyless sealed-switch module (SSM) and go to work.

Mechanical-linkage foot controls are no match for the best-in-class metering provided by our EH foot pedals.

Want to make the most of our vertical-lift boom design? Add the self-level option and simplify your material-handling tasks.

Accelerator/decelerator option turns the foot throttle into a decelerator for maximum control in grading applications.

**EH Joystick Performance Package** lets an operator customize operation and response to personal preferences through the SSM:

- **Attachment control** operates hydraulic-powered additions such as augers or breakers.
- **Creeper control** allows slow incremental travel speeds while maintaining full engine and hydraulic power. It's ideal for work with cold planers or trenchers.
- **Boom and bucket speed settings** enable precision (slow), utility (normal), and productivity (fast) response.
- **Switchable controls** let you choose ISO or H-pattern.
- **Propel aggressiveness** modes set travel/steering response rates. **Precision** is ideal for work in tight spaces. **Utility** is for normal operation. **Production** delivers faster response for stockpiling and truck loading.

2. Optional keyless-start sealed-switch panel includes an anti-theft system with one owner and five individual codes. And simple fingertip control of numerous options.

3. Overhead panel conveniently places machine info on the left, control switches to the right. Easy-to-read LCD monitor accesses a wealth of info and control — including vital operating conditions and advanced diagnostics.



2

3



1. Whether you're planting trees or setting posts, we've got you covered. Our planetary auger is available in a wide variety of bit styles and diameters.

2. Our offering of nursery and landscape tools continues to grow and includes power rakes, landplanes, roller levels, pallet forks, and dozer blades, to list just a few.

3. Rock buckets are ideal for removing debris and sifting and sorting material. Design retains rocks and refuse while grading.

4. Mulching heads, rotary cutters, and tined grapples work well for land clearing and cleanup. Severe-duty machine-protection packages are also available.

5. Cleanup is quicker and easier with one of our tined or scrap grapples. Dual-action clamps provide superior material retention.



# Work our connections, as you expand yours.

If you're looking to broaden your business, your John Deere dealership is the place to start. Their equipment offering includes more than 100 Worksite Pro™ attachments that will help expand your efforts. E-Series CTLs are designed with these additions in mind. The universal Quik-Tatch™ makes attachment switchover quick and easy. Standard-flow auxiliary hydraulics with connect-under-pressure couplers is also standard. And if your equipment yard includes our skid steers, compact excavators, or compact loaders, many of these attachments are interchangeable between machines. Talk to your dealer to learn more.

## Worksite Pro attachments:

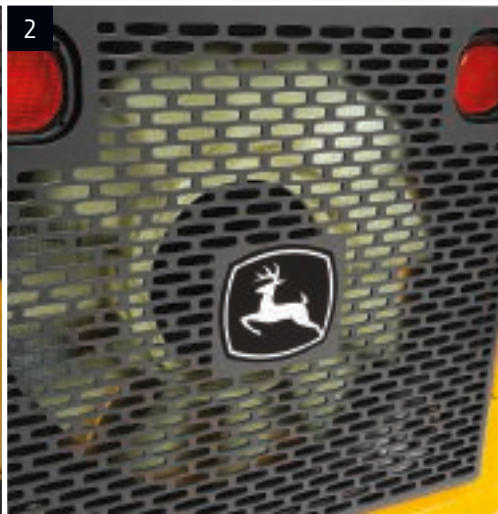
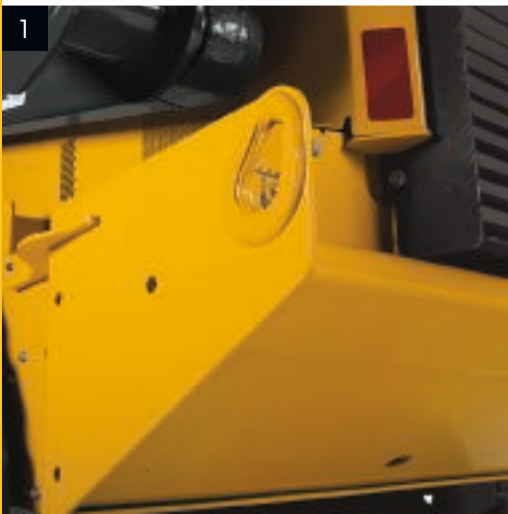
- Ag forks
- Augers
- Backhoes
- Bale spears (round, square)
- Blades (snow, utility)
- Breakers/hammers
- Brooms (angle, pickup)
- Cold planers
- Dozer blades
- Grapples (ag utility, brush-tined, scrap)
- Landplanes
- Mulching head
- Multipurpose buckets
- Pallet forks
- Power rakes
- Rock buckets
- Roller levels
- Rotary cutters
- Rotary tillers
- Scrapers (material, manure)
- Side-discharge buckets
- Snow blowers
- Snow pushers
- Trenchers
- Vibratory rollers



# Nothing runs like a Deere, because nothing is built like one.

All CTLs travel on tracks. But that's where the similarity ends. Our E-Series brings serious strength and daylong stamina to your jobsites. Large-displacement electronic-injection diesels headline the list of uptime-boosting enhancements. Job-proven durability difference-makers from the previous series include our exclusive V-plenum cooling systems with hydraulically driven variable-speed fans. Heavy-duty drivetrains and tracks. Beefy booms and upper links. And integrated rear bumpers. When you know how they're built, you'll run a Deere.

1. Rear bumper with integral tie-downs protects cooling components from run-ins with obstacles. Add the optional heavy-duty rear grille for even more durability.
2. 319E/323E's auxiliary hydraulic lines are routed through the boom arms for an extra degree of protection. Couplers connect under pressure for quick and easy powered-attachment hookup.
3. Industry-exclusive design separates coolers in an innovative V-shape configuration that's 10-percent-more efficient. Large aluminum hydraulic cooler and radiator provide the necessary capacity for high-ambient-temperature operation.





Switches and electrical connectors are sealed from moisture and dirt to help prevent corrosion.

Large cross-section boom arms and heavy-duty upper links deliver the strength to endure tough tasks for long-term durability.

Hydraulic-driven variable-speed fan runs only as frequently as needed — for improved power and fuel efficiency, and decreased noise and debris flow through the coolers. Exclusive fan option can be set to automatically reverse to clear core-clogging buildup.

Auto-shutdown system monitors engine and hydraulic vitals, and issues an audible warning when limits are exceeded. If necessary, it shuts down the machine to help prevent damage.

Drive motors are heavy duty, and hoses are shielded for extra protection. Direct-mounted planetary final drives employ larger-than-usual bearings for one-of-a-kind reliability.

Diesel particulate filter (DPF) cleaning doesn't impact or interrupt machine performance under normal operating conditions.

Heavy-duty double-steel-reinforced rubber tracks last longer than those on other machines. All-steel rollers, idlers, and sprockets are similar to those used on our larger crawlers. Metal-face seals and journal bearings further increase longevity.

O-ring face-seal hydraulic fittings virtually eliminate aggravating and costly oil leaks.

Spring-applied, hydraulic-released wet-disc park brakes are fully enclosed and never require adjustment.

# “E”asy does it.

Servicing an E-Series CTL is simple and quick. So easy, in fact, that you won't even have to raise its boom for daily service or most periodic maintenance. Checkpoints are conveniently grouped and easily reached beneath the gas-shock-supported hood. And removable side panels give way to the coolers, maintenance-free battery, and fluid and air filters. If necessary, the operator station tilts in minutes for best-in-class drivetrain access. And industry-leading parts and service are just as accessible at more than 1,300 John Deere dealer locations from coast to coast.



Daily servicing is quick and convenient. Simply lift the hood for ground-level access to check fluids and refuel.

Through-the-monitor onboard diagnostics help speed troubleshooting for increased uptime.

These CTLs share components such as engines with our skid steers and compact excavators, making it easier to ensure you always have the right filters and fluids on hand.

Removable rear side panels allow wide-open service access and are easier to remove and replace. Stronger, too.

Fluid-fill and service checkpoints are grouped and color-coded. And a conveniently displayed maintenance chart helps ensure that nothing gets overlooked.

Ash-service intervals for the diesel particulate filter (DPF) are not required until 8,000 engine hours depending on machine application, regular maintenance practices, and type of lubricating oil. DPF service can be performed by your John Deere dealer.

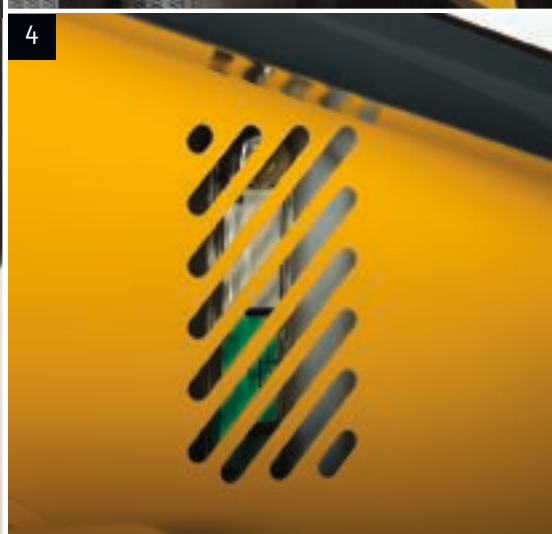
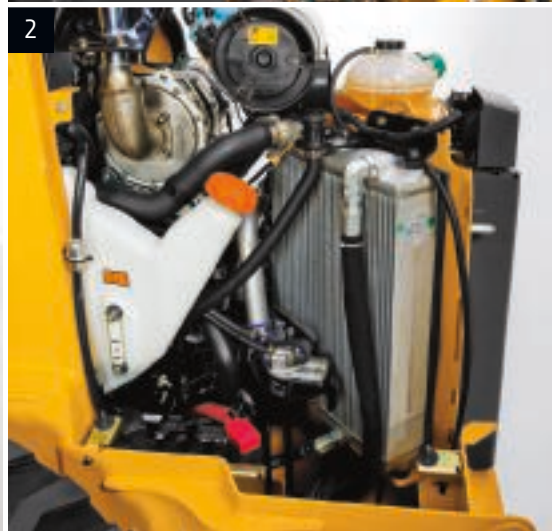
V-plenum cooling system resists debris buildup and makes radiator and cooler cores easier to clean.

Because no maintenance beats low maintenance, engine serpentine belts never need adjustment.

Unlike some CTLs that require complicated daily adjustments with special tools, track tension is checked weekly. If adjustment is necessary, all that's needed is a wrench and grease gun.

Compare the cost of parts and labor for recommended maintenance with other makes. The E-Series will save you significant money. Add the long-term expense of undercarriage replacement, and the savings can be substantial.

1. Getting to the heart of a Deere is easy. There's no need to raise the boom — just pivot the cab and remove the floor. Takes only minutes.
2. Need extra elbowroom? Raise the boom and remove the side shields for wide-open engine-compartment access. Unique lock lever secures the boom from inside the cab.
3. Spin-on filters and environmental drains allow quick fluid changes.
4. Hydraulic sight gauge and see-through coolant and windshield washer fluid reservoirs let you check levels at a glance.



# 319E / 323E

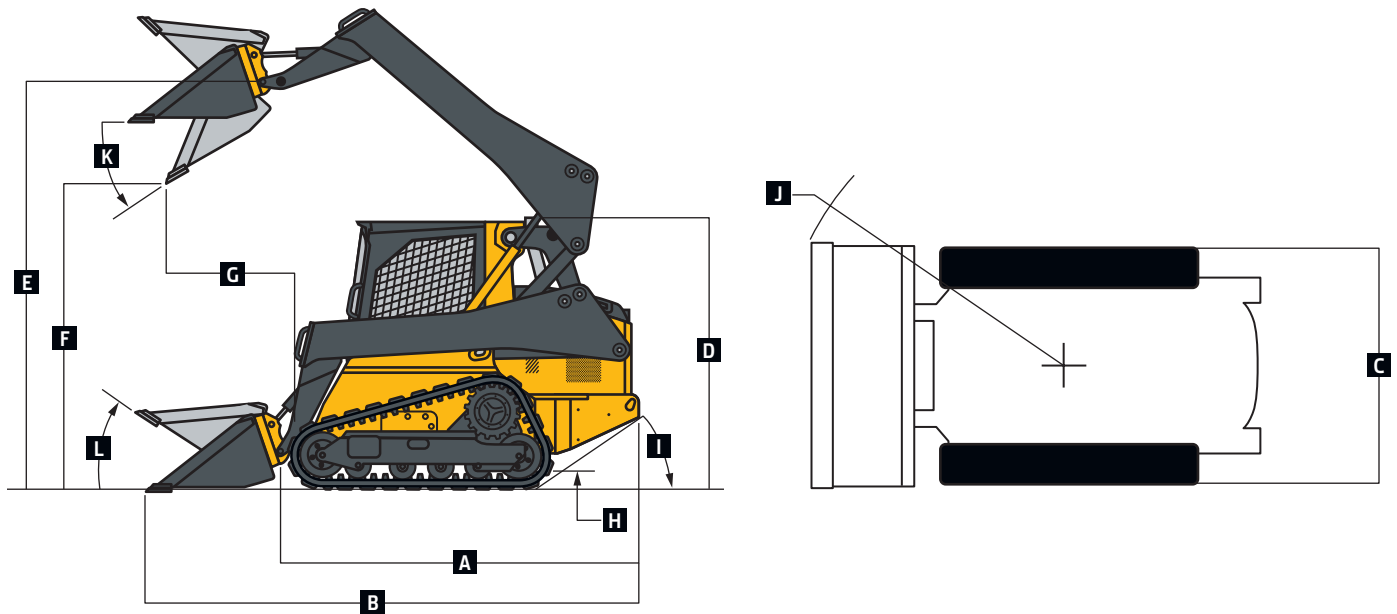


Engine	319E	323E
Manufacturer and Model	Yanmar 4TNV98C (optional 4TNV98CT)	Yanmar 4TNV98CT
Non-Road Emission Standards	EPA Final Tier 4/EU Stage IV	EPA Final Tier 4/EU Stage IV
Cylinders	4	4
Net Peak Power (SAE J1349 / ISO 9249)	49.4 kW (66 hp) at 2,500 rpm	52.5 kW (70 hp) at 2,500 rpm
Gross Rated Power (ISO 14396)	51.7 kW (69 hp) at 2,500 rpm	54.8 kW (74 hp) at 2,500 rpm
Peak Torque	241 Nm (178 ft.-lb.) at 1,625 rpm	280 Nm (207 ft.-lb.) at 1,800 rpm
Displacement	3.3 L (203 cu. in.)	3.3 L (203 cu. in.)
Rated Engine Speed	2,500 rpm	2,500 rpm
Torque Rise	22% at 1,625 rpm	34% at 1,800 rpm
Aspiration	Naturally aspirated (optional turbocharger)	Turbocharged
Air Cleaner	Dry dual element	Dry dual element
Cooling	319E / 323E	
Fan Type	Variable-speed hydraulic drive (optional reversing fan drive)	
Powertrain	319E	323E
Pump	Axial-piston hydrostatic	Axial-piston hydrostatic
Controls	Manual or electrohydraulic	Manual or electrohydraulic
Travel Speeds		
Single Speed, Standard	9.3 km/h (5.8 mph)	10.0 km/h (6.2 mph)
2 Speed, Optional		
Low	—	9.0 km/h (5.6 mph)
High	—	14.0 km/h (8.7 mph)
<b>Brakes</b>	Integral, automatic, spring-applied, hydraulically released wet-disc brake	
Undercarriage	319E / 323E	
<b>Rubber Tracks</b>	Smooth-ride long-life rubber with steel inserts	Smooth-ride long-life rubber with steel inserts
Track Width		
Standard	320 mm (12.6 in.)	320 mm (12.6 in.)
Optional	—	400 mm (15.8 in.)
Ground Pressure		
Standard 320-mm (12.6 in.) Track	39.3 kPa (5.7 psi)	39.3 kPa (5.7 psi)
Optional 400-mm (15.8 in.) Track	—	32.4 kPa (4.7 psi)
Track Rollers (per side)	4 triple-flange smooth-ride all-steel rollers	4 triple-flange smooth-ride all-steel rollers
Track Idlers (per side)	2 double-flange smooth-ride all-steel rollers	2 double-flange smooth-ride all-steel rollers
Bearings/Seals (rollers/idlers)	Heavy-duty journal bearings and metal face seals	Heavy-duty journal bearings and metal face seals
Tractive Effort	3859 kgf (8,500 lbf)	3859 kgf (8,500 lbf)
Hydraulics	319E / 323E	
Pump Flow		
Standard	57 L/m (15 gpm)	68 L/m (18 gpm)
Total with High-Flow Option	—	95 L/m (25 gpm)
System Pressure at Couplers	22 408 kPa (3,250 psi)	22 408 kPa (3,250 psi)
Hydraulic Horsepower Flow (calculated)		
Standard	21.2 kW (28.4 hp)	25.5 kW (34.1 hp)
High	—	35.3 kW (47.4 hp)
Cylinders	319E / 323E	
Type	John Deere heat-treated, chrome-plated, polished cylinder rods, hardened steel (replaceable bushings) pivot pins	
Electrical	319E / 323E	
Voltage	12 volt	
Battery Capacity	750 CCA (optional 925 CCA)	
Alternator Rating	70 amp	
Lights	Halogen, 2 front and 1 rear	
Operator's Station	319E / 323E	
	ROPS (ISO 3471) / FOPS (ISO 3449) structure with quick-pivot standard	





Serviceability		319E / 323E	
<b>Refill Capacity</b>			
Fuel Tank	76 L (20 gal.)		
<b>Operating Weights</b>		<b>319E</b>	<b>323E</b>
With Standard 320-mm (12.6 in.) Track	4286 kg (9,440 lb.)	4286 kg (9,440 lb.)	
With Optional 400-mm (15.8 in.) Track	—	4358 kg (9,600 lb.)	
<b>Machine Dimensions</b>			
<b>A</b> Length without Bucket	2.85 m (112 in.) (9 ft. 4 in.)	2.85 m (112 in.) (9 ft. 4 in.)	
<b>B</b> Length with Foundry Bucket	3.47 m (136.8 in.) (11 ft. 5 in.)	3.47 m (136.8 in.) (11 ft. 5 in.)	
<b>C</b> Width without Bucket			
With 320-mm (12.6 in.) Track	1.82 m (71.8 in.) (6 ft. 0 in.)	1.82 m (71.8 in.) (6 ft. 0 in.)	
With 400-mm (15.8 in.) Track	—	1.91 m (75.2 in.) (6 ft. 3 in.)	
<b>D</b> Height to Top of ROPS	2.05 m (80.6 in.) (6 ft. 9 in.)	2.05 m (80.6 in.) (6 ft. 9 in.)	
<b>E</b> Height to Hinge Pin	3.12 m (122.8 in.) (10 ft. 3 in.)	3.12 m (122.8 in.) (10 ft. 3 in.)	
<b>F</b> Dump Height with Foundry Bucket	2.50 m (98.4 in.) (8 ft. 2 in.)	2.50 m (98.4 in.) (8 ft. 2 in.)	
<b>G</b> Dump Reach			
With Foundry Bucket	0.72 m (28.5 in.)	0.72 m (28.5 in.)	
With Construction Bucket with Edge	0.92 m (36.1 in.) (3 ft. 0 in.)	0.92 m (36.1 in.) (3 ft. 0 in.)	
<b>H</b> Ground Clearance	0.25 m (9.8 in.)	0.25 m (9.8 in.)	
<b>I</b> Angle of Departure	31.4 deg.	31.4 deg.	
<b>J</b> Front Turn Radius with Foundry Bucket	2.03 m (80.1 in.) (6 ft. 8 in.)	2.03 m (80.1 in.) (6 ft. 8 in.)	
<b>K</b> Dump Angle (full lift height)	42 deg.	42 deg.	
<b>L</b> Bucket Rollback (ground level)	32 deg.	32 deg.	



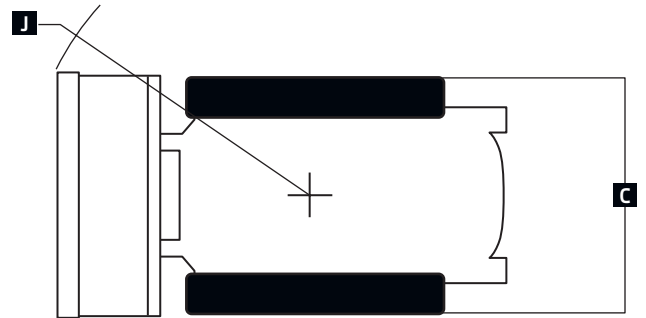
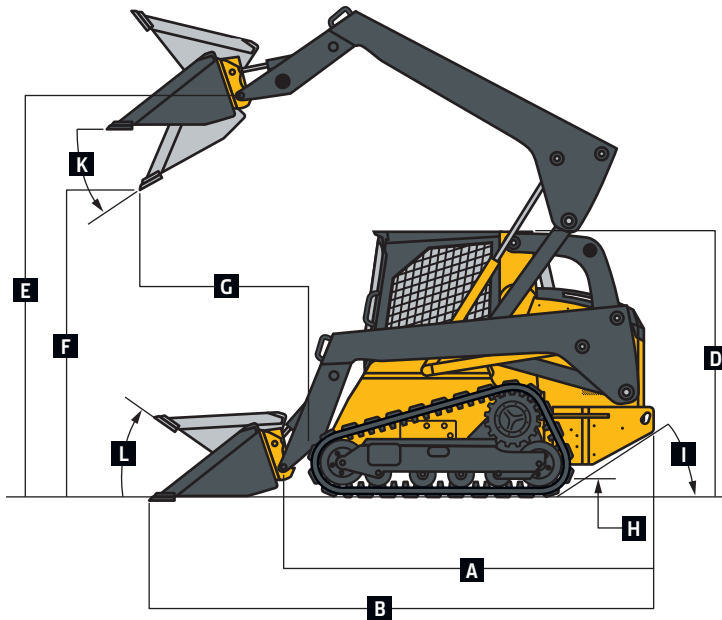
Loader Performance		319E	323E
Tipping Load	2789 kg (6,143 lb.)	3360 kg (7,400 lb.)	
<b>SAE Rated Operating Capacity with Foundry Bucket</b>			
At 35% Tipping Load	976 kg (2,150 lb.)	1176 kg (2,590 lb.)	
At 50% Tipping Load	1394 kg (3,071 lb.)	1634 kg (3,600 lb.)	
Boom Breakout	1589 kg (3,500 lb.)	1952 kg (4,300 lb.)	
Bucket Breakout Force	2724 kg (6,000 lb.)	3178 kg (7,000 lb.)	

# 329E / 333E

Engine	329E	333E
Manufacturer and Model	Yanmar 4TNV94CHT	Yanmar 4TNV94CHT
Non-Road Emission Standards	EPA Interim Tier 4/EU Stage IIIB	EPA Interim Tier 4/EU Stage IIIB
Cylinders	4	4
Net Peak Power (SAE J1349 / ISO 9249)	62.0 kW (83 hp) at 2,500 rpm	72.0 kW (97 hp) at 2,500 rpm
Gross Rated Power (ISO 14396)	64.0 kW (86 hp) at 2,500 rpm	74.6 kW (100 hp) at 2,500 rpm
Peak Torque	360 Nm (266 ft.-lb.) at 1,700 rpm	395 Nm (291 ft.-lb.) at 1,700 rpm
Displacement	3.1 L (186.3 cu. in.)	3.1 L (186.3 cu. in.)
Rated Engine Speed	2,500 rpm	2,500 rpm
Torque Rise	47% at 1,700 rpm	39% at 1,700 rpm
Aspiration	Turbocharged, intercooled	Turbocharged, intercooled
Air Cleaner	Dry dual element	Dry dual element
Cooling	329E / 333E	
Fan Type	Variable-speed hydraulic drive (optional reversing fan drive)	
Powertrain	329E	333E
Pump	Axial-piston hydrostatic	Axial-piston hydrostatic
Controls	Electrohydraulic	Electrohydraulic
Travel Speeds		
Single Speed, Standard	10.0 km/h (6.2 mph)	—
2 Speed, Optional		
Low	8.5 km/h (5.3 mph)	8.5 km/h (5.3 mph)
High	12.6 km/h (7.8 mph)	12.6 km/h (7.8 mph)
<b>Brakes</b>	Integral, automatic, spring-applied, hydraulically released wet-disc brake	
Undercarriage	329E / 333E	
<b>Rubber Tracks</b>	Smooth-ride long-life rubber with steel inserts	Smooth-ride long-life rubber with steel inserts
Track Width		
Standard	400 mm (15.8 in.)	450 mm (17.7 in.)
Optional	450 mm (17.7 in.)	400 mm (15.8 in.)
Ground Pressure		
400-mm (15.8 in.) Track (standard on 329E, optional on 333E)	34.2 kPa (5.0 psi)	34.7 kPa (5.0 psi)
450-mm (17.7 in.) Track (optional on 329E, standard on 333E)	30.6 kPa (4.4 psi)	31.1 kPa (4.5 psi)
Track Rollers (per side)	5 triple-flange smooth-ride all-steel rollers	5 triple-flange smooth-ride all-steel rollers
Track Idlers (per side)	2 double-flange smooth-ride all-steel rollers	2 double-flange smooth-ride all-steel rollers
Bearings/Seals (rollers/idlers)	Heavy-duty journal bearings and metal face seals	Heavy-duty journal bearings and metal face seals
Tractive Effort	5221 kgf (11,500 lbf)	5221 kgf (11,500 lbf)
Hydraulics	329E / 333E	
Pump Flow		
Standard	80 L/m (21 gpm)	95 L/m (25 gpm)
Total with High-Flow Option	125 L/m (33 gpm)	129 L/m (34 gpm)
System Pressure at Couplers	23 787 kPa (3,450 psi)	23 787 kPa (3,450 psi)
Hydraulic Horsepower Flow (calculated)		
Standard	31.3 kW (42 hp)	37.3 kW (50 hp)
High	48.5 kW (65 hp)	50.0 kW (67 hp)
Cylinders	329E / 333E	
Type	John Deere heat-treated, chrome-plated, polished cylinder rods, hardened steel (replaceable bushings) pivot pins	
Electrical	329E / 333E	
Voltage	12 volt	
Battery Capacity	925 CCA	
Alternator Rating	70 amp	
<b>Lights</b>	Halogen, 2 front and 1 rear	
Operator's Station	329E / 333E	
	ROPS (ISO 3471) / FOPS (ISO 3449) structure with quick-pivot standard	



Serviceability	329E / 333E	
<b>Refill Capacity</b>		
Fuel Tank	96.5 L (25.5 gal.)	
<b>Operating Weight</b>	<b>329E</b>	<b>333E</b>
With Standard 400-mm (15.8 in.) Track	5221 kg (11,500 lb.)	—
With Standard 450-mm (17.7 in.) Track	—	5357 kg (11,800 lb.)
<b>Machine Dimensions</b>	<b>329E / 333E</b>	
<b>A</b> Length without Bucket	3.05 m (120 in.) (10 ft. 0 in.)	
<b>B</b> Length with Foundry Bucket	3.66 m (144 in.) (12 ft. 0 in.)	
<b>C</b> Width without Bucket		
With 400-mm (15.8 in.) Track	2.00 m (78.9 in.) (6 ft. 7 in.)	
With 450-mm (17.7 in.) Track	2.05 m (80.7 in.) (6 ft. 9 in.)	
<b>D</b> Height to Top of ROPS	2.15 m (84.7 in.) (7 ft. 1 in.)	
<b>E</b> Height to Hinge Pin	3.20 m (126 in.) (10 ft. 6 in.)	
<b>F</b> Dump Height with Foundry Bucket	2.59 m (101.8 in.) (8 ft. 6 in.)	
<b>G</b> Dump Reach		
With Foundry Bucket	0.82 m (32.2 in.)	
With Construction Bucket	1.00 m (39.4 in.) (3 ft. 3 in.)	
<b>H</b> Ground Clearance	0.26 m (10.4 in.)	
<b>I</b> Angle of Departure	31 deg.	
<b>J</b> Front Turn Radius with Foundry Bucket	2.17 m (85.43 in.) (7 ft. 1 in.)	
<b>K</b> Dump Angle (full lift height)	45 deg.	
<b>L</b> Bucket Rollback (ground level)	35 deg.	



Loader Performance	329E	333E
Tipping Load	3768 kg (8,300 lb.)	4279 kg (9,425 lb.)*
SAE Rated Operating Capacity with Foundry Bucket		
At 35% Tipping Load	1317 kg (2,900 lb.)	1498 kg (3,300 lb.)
At 50% Tipping Load	1884 kg (4,150 lb.)	2145 kg (4,725 lb.)
Boom Breakout	2088 kg (4,600 lb.)	2996 kg (6,600 lb.)
Bucket Breakout Force	4688 kg (10,325 lb.)	6299 kg (13,875 lb.)

\*With 1 set of standard counterweights.

# Additional equipment

Key: ● Standard ▲ Optional or special

See your John Deere dealer for further information.

319E	323E	329E	333E	Engine
●	●			Meets EPA Final Tier 4/EU Stage IV emissions
		●	●	Meets EPA Interim Tier 4/EU Stage IIIB emissions
●				Yanmar 4TNV98C
▲	●			Yanmar 4TNV98CT
		●	●	Yanmar 4TNV94CHT
●	●	●	●	Auto-idle
▲	▲	●	●	Automatic fan tensioner
●	●	●	●	Automatic preheat
●	●	●	●	Electronic injection system
●	●	●	●	John Deere COOL-GARD™ II Extended-Life Engine Coolant
●	●	●	●	John Deere Plus-50™ 10w30 initial engine oil fill*
●	●	●	●	5-micron primary fuel filter and water separator
▲	▲	▲	▲	Cold-weather package
<b>Cooling System</b>				
●	●	●	●	Coolant recovery tank
●	●	●	●	Cool-on-demand cooling system
▲	▲	▲	▲	Reversing fan drive
<b>Powertrain</b>				
●	●	●	●	High-torque heavy-duty planetary-reduction final drive
●	●	●	●	Automatic spring-applied hydraulically released wet-disc park brakes
●	●	●		Transmission, single-speed
	▲	▲	●	Transmission, 2-speed
<b>Hydraulic System</b>				
●	●	●	●	John Deere hydraulic cylinders with cushioned boom cylinders
●	●	●	●	Connect-under-pressure auxiliary couplers
●	●	●	●	Quick-check hydraulic fluid-level sight glass
●	●	●	●	5-micron hydraulic filter
	▲	▲	▲	High-flow hydraulics
<b>Electrical</b>				
●	●	●	●	Automatic shutdown with alarm
●	●	●	●	Auxiliary hydraulics operator-presence system

319E	323E	329E	333E	Electrical (continued)
●	●	●	●	Deluxe instrumentation EMU with: Operator-selectable monitoring – Hour meter, engine rpm, battery voltage, diagnostics, EMU configuration, engine coolant temperature, hydraulic oil temperature / LED warning indicators – Glow plug, seat switch, seat belt, door open, auxiliary hydraulics, park brake engaged, 2-speed engaged, stop, low engine oil pressure, engine coolant over-temperature, battery not charging, air filter restriction, hydraulic filter restriction
●	●	●	●	Front and rear halogen work lights
●	●	●	●	Triple interlock operator-presence control system
▲	▲	▲	▲	Backup alarm
●	●			Battery, 750 CCA
▲	▲	●	●	Battery, 925 CCA
▲	▲	▲	▲	Hazard warning lights
▲	▲	▲	▲	Horn
▲	▲	▲	▲	Strobe light, amber
<b>Operator's Station</b>				
●	●	●	●	Deluxe cab headliner
▲	▲	●	●	Electrohydraulic (EH) ISO-pattern joystick controls
▲	▲	▲	▲	EH H-pattern joystick controls
▲	▲	▲	▲	EH foot and joystick controls
▲	▲	▲	▲	EH switchable foot-ISO-H-pattern controls
▲	▲	▲	▲	Keyless-start sealed-switch module with integrated anti-theft system
●	●	●	●	Electronic push-button auxiliary controls
●	●	●	●	Pull-down lap bar
●	●	●	●	Quick-pivot ROPS
●	●	●	●	Rear window
●	●	●	●	Top window
▲	▲	▲	▲	Removable top window
▲	▲	▲	▲	Side window kit
▲	▲	▲	▲	Sliding/locking glass side windows
●	●	●	●	ROPS/FOPS operator structure
●	●	●	●	Seat belt, 51-mm (2 in.), retractable
▲	▲	▲	▲	Seat belt, 76-mm (3 in.), retractable

319E	323E	329E	333E	Operator's Station (continued)
▲	▲	▲	▲	Shoulder belt
●				Water-shedding deluxe vinyl seat
▲	●	●	●	Deluxe vinyl suspension seat
▲	▲	▲	▲	Air-ride (cloth) seat
▲	▲	▲	▲	Air-ride (vinyl) seat
●	●	●	●	12-volt power port / Dome light / Cargo storage / Beverage holder
▲	▲	▲	▲	Air conditioning with heater/defroster
▲	▲	▲	▲	AM/FM/weatherband radio with auxiliary input
▲	▲	▲	▲	Cab enclosure
▲	▲	▲	▲	Severe-duty cab door
▲	▲	▲	▲	EH joystick controls
▲	▲	▲	▲	EH joystick performance package: Switchable ISO-H pattern / Creeper mode / Boom/bucket speed settings / Adjustable propel settings / Attachment controls
▲	▲	▲	▲	Floor mat
▲	▲	▲	▲	Floor mat with left footrest
▲	▲	▲	▲	Heater with defroster
▲	▲	▲	▲	Heavy-duty rear grille
▲	▲	▲	▲	Rearview mirror
<b>Loader</b>				
●	●	●	●	Integral cab boom lock
●	●	●	●	Patented John Deere Quik-Tatch™ (no grease required)
▲	▲	▲	▲	Power Quik-Tatch
●	●	●	●	Patented John Deere vertical-lift boom with superior visibility
▲	▲	▲	▲	Hydraulic self-leveling on/off
▲	▲	▲	▲	Ride control
<b>Other</b>				
●	●	●	●	Convenient front and rear tie-downs
●	●	●	●	Environmental drains for all fluid reservoirs
▲	▲	▲	▲	Chrome exhaust stack
▲	▲	▲	▲**	Modular rear-weight packages
▲	▲	▲	▲	Single-point lift kit
▲	▲	▲	▲	SMV sign kit
●	●			Track, 320-mm (12.6 in.) wide
	▲	●	▲	Track, 400-mm (15.8 in.) wide
		▲	●	Track, 450-mm (17.7 in.) wide

\*500-hour engine oil-change intervals when John Deere Plus-50 oil and John Deere oil filter are used.

\*\*Standard equipped with one [1] set.



Net engine power is with standard equipment including air cleaner, exhaust system, alternator, and hydraulic cooling fan at test conditions per ISO 9249. Gross power is without cooling fan. Specifications and design subject to change without notice. Wherever applicable, specifications are in accordance with SAE and ISO standards. Except where otherwise noted, these specifications are based on units with full fuel tanks and 79-kg (175 lb.) operators; 319E and 323E units with standard 320-mm (12.6 in.) tracks; a 329E unit with standard 400-mm (15.8 in.) tracks; and a 333E unit with standard 450-mm (17.7 in.) tracks.

www.JohnDeere.com