

310SL SPECIFICATIONS

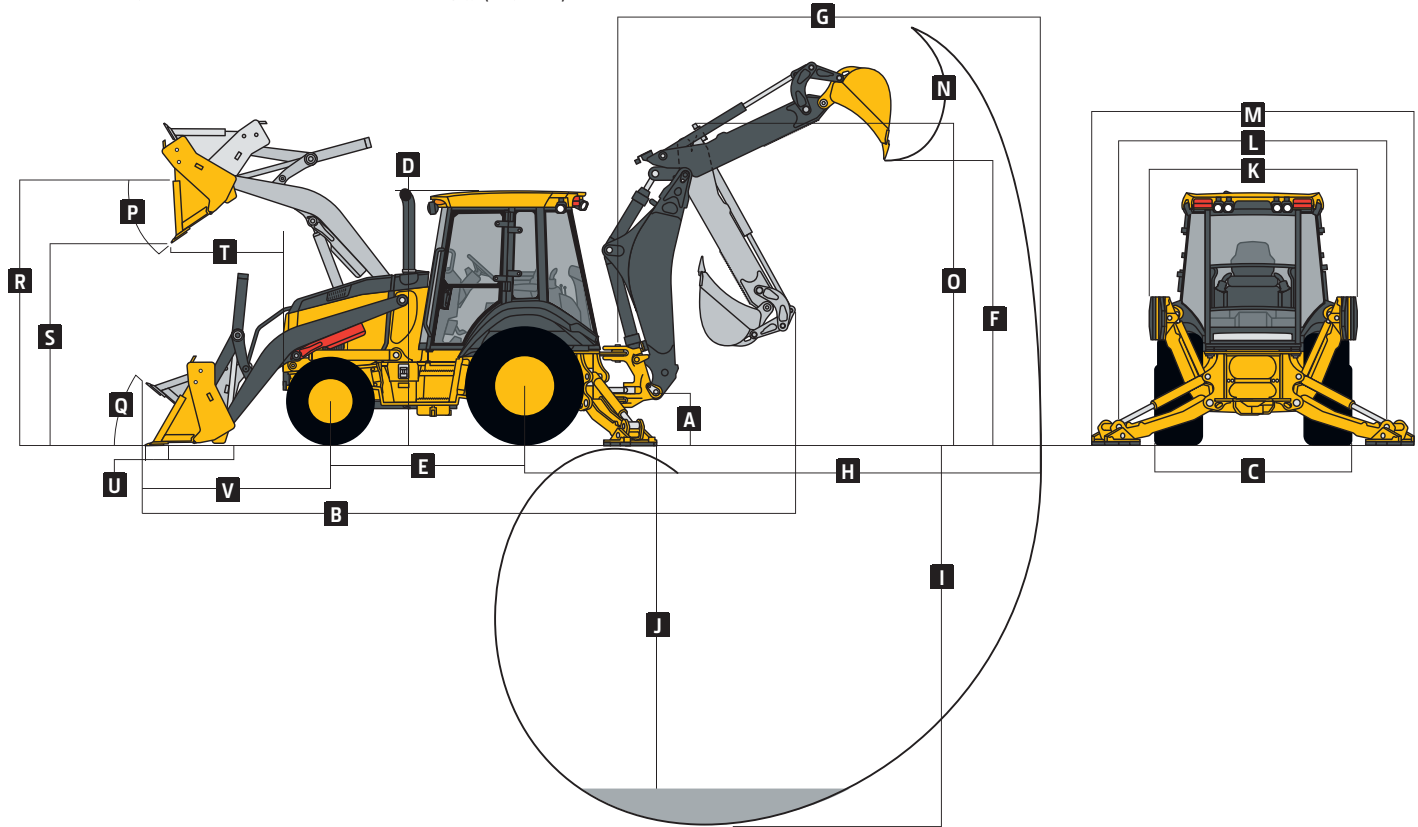


While general information, pictures, and descriptions are provided, some illustrations and text may include product options and accessories NOT AVAILABLE in all regions, and in some countries products and accessories may require modifications or additions to ensure compliance with the local regulations of those countries.

Cylinders		310SL	
Heat-treated, chrome-plated, polished rods; hardened steel (replaceable bushings) pivot pins			
	<i>Bore</i>	<i>Rod Diameter</i>	<i>Stroke</i>
Loader Boom (2)	80 mm (3.15 in.)	50 mm (1.97 in.)	789 mm (31.08 in.)
Loader Bucket (1)	90 mm (3.54 in.)	50 mm (1.97 in.)	744 mm (29.29 in.)
Backhoe Boom (1)	120 mm (4.72 in.)	56 mm (2.20 in.)	794 mm (31.26 in.)
Backhoe Crowd (1)	115 mm (4.53 in.)	63 mm (2.48 in.)	602.5 mm (23.72 in.)
Backhoe Bucket (1)	90 mm (3.54 in.)	56 mm (2.20 in.)	810 mm (31.89 in.)
Heavy-Duty Option	100 mm (3.94 in.)	63 mm (2.48 in.)	810 mm (31.89 in.)
Backhoe Swing (2)	90 mm (3.54 in.)	50 mm (1.97 in.)	278 mm (10.94 in.)
Backhoe Extendable Dipperstick (1)	70 mm (2.76 in.)	40 mm (1.57 in.)	1062 mm (41.81 in.)
Backhoe Stabilizer (2)			
Standard	90 mm (3.54 in.)	50 mm (1.97 in.)	500 mm (19.69 in.)
Extended Optional	100 mm (3.94 in.)	50 mm (1.97 in.)	500 mm (19.69 in.)
Non-Powered Axle (1)	70 mm (2.76 in.)	42 mm (1.65 in.)	210 mm (8.27 in.)
MFWD (1)	65 mm (2.56 in.)	40 mm (1.57 in.)	210 mm (8.27 in.)
Electrical			
Voltage	12 volt		
Alternator Rating	145 amp		
Lights	10 halogen: 4 front, 4 rear, and 2 side docking (32,500 candlepower each); turn signals and flashers: 2 front and 2 rear; stop and taillights; and 2 rear reflectors; factory-installed option for 2 LED spotlights and 8 LED floodlights in lieu of standard halogen light package		
Operator Station			
Type (ISO 3471)	Fully enclosed cab, isolation mounted, ROPS/FOPS, left/right access, with molded roof; optional quarter cab (front glass only) and canopy		
Tires/Wheels			
	<i>Front</i>	<i>Rear</i>	
Non-Powered Front Axle	12.5/80-18 F3 (12)	19.5L-24 R4 (12)	
	14.5/75-16.1 F3 (16)	19.5L-24 R4 (12)	
With MFWD	12.5/80-18 I3 (12)	19.5L-24 R4 (10)	
	12.5/80-18 R4 (10)	19.5L-24 R4 (12)	
	12.5/80-18 I3 (12)	21L-24 R4 (12)	
	12.5/80-18 R4 (10)	21L-24 R4 (12)	
	340/80R18 XMCL	500/70R24 XMCL	
	340/80R18 550	500/70R24 550	
	340/80R18 580	500/70R24 580	
Serviceability			
Refill Capacities			
Cooling System			
Cab	27.5 L (29.1 qt.)		
Canopy	25.7 L (27.2 qt.)		
Rear Axle	18 L (19 qt.)		
Engine Oil (including vertical spin-on filter)	13 L (13.7 qt.)		
Torque Converter and Transmission	15.1 L (16 qt.)		
Fuel Tank (with ground-level fueling)	128.7 L (34 gal.)		
Diesel Exhaust Fluid (DEF) Tank	13.7 L (3.6 gal.)		
Hydraulic System	126.8 L (33.5 gal.)		
Hydraulic Reservoir	45 L (11.9 gal.)		
MFWD Housing			
Axle	6.5 L (6.9 qt.)		
Planetary (each)	0.9 L (1 qt.)		
Operating Weights			
With Full Fuel Tank, 79-kg (175 lb.) Operator, Standard Equipment, and Bumper	7199 kg (15,872 lb.)		
Typical with Cab, Extendable Dipperstick, and 340-kg (750 lb.) Counterweight	8025 kg (17,692 lb.)		
Optional Components (weight difference between base equipment and option)			
Cab	263 kg (580 lb.)		
MFWD with Tires	220 kg (485 lb.)		
Extendable Dipperstick	222 kg (490 lb.)		
Front Loader Coupler	257 kg (566 lb.)		
Backhoe Bucket Coupler	63 kg (138 lb.)		

While general information, pictures, and descriptions are provided, some illustrations and text may include product options and accessories NOT AVAILABLE in all regions, and in some countries products and accessories may require modifications or additions to ensure compliance with the local regulations of those countries.

Overall Dimensions	310SL
A Ground Clearance, Minimum	330 mm (13 in.)
B Overall Length, Transport	7.28 m (23 ft. 11 in.)
C Width Over Tires	2.20 m (7 ft. 3 in.)
D Height to Top of ROPS/Cab	2.79 m (9 ft. 2 in.)
E Length from Axle to Axle	
Non-Powered Front Axle	2.16 m (7 ft. 1 in.)
MFWD Axle	2.19 m (7 ft. 2 in.)



Backhoe Dimensions and Performance

Backhoe specifications are with 610-mm x 0.21-m³ (24 in. x 7.5 cu. ft.) bucket; dipper lift specs are with a boom angle of 65 deg.

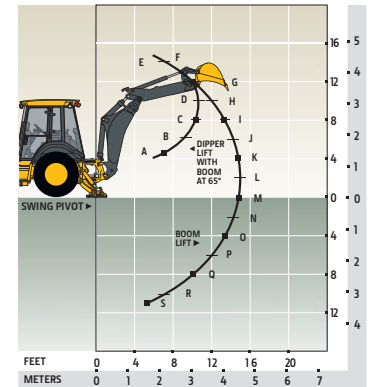
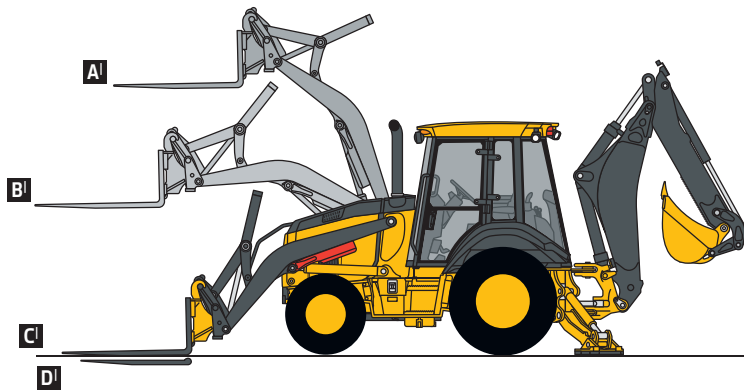
Bucket Range	305–762 mm (12–30 in.)	
Digging Force		
Bucket Cylinder	55.0 kN (12,356 lb.)	
Lift Mode	60.6 kN (13,634 lb.)	
With Heavy-Duty Cylinder Option	67.8 kN (15,254 lb.)	
Lift Mode	74.9 kN (16,832 lb.)	
Crowd Cylinder	36.6 kN (8,229 lb.)	
Swing Arc	180 deg.	
Operator Control	2 levers	

	With Optional Extendable Dipperstick		
	With Standard Backhoe	Retracted	Extended
F Loading Height, Truck Loading Position	3.42 m (11 ft. 3 in.)	3.54 m (11 ft. 7 in.)	4.16 m (13 ft. 8 in.)
G Reach from Center of Swing Pivot	5.52 m (18 ft. 1 in.)	5.61 m (18 ft. 5 in.)	6.62 m (21 ft. 9 in.)
H Reach from Center of Rear Axle	6.58 m (21 ft. 7 in.)	6.68 m (21 ft. 11 in.)	7.68 m (25 ft. 2 in.)
I Digging Depth (SAE maximum)	4.35 m (14 ft. 3 in.)	4.50 m (14 ft. 9 in.)	5.55 m (18 ft. 2 in.)
J Digging Depth (SAE)			
610-mm (2 ft.) Flat Bottom	4.32 m (14 ft. 2 in.)	4.45 m (14 ft. 7 in.)	5.51 m (18 ft. 1 in.)
2440-mm (8 ft.) Flat Bottom	3.99 m (13 ft. 1 in.)	4.13 m (13 ft. 7 in.)	5.25 m (17 ft. 3 in.)
K Stabilizer Width, Transport	2.18 m (7 ft. 2 in.)	2.18 m (7 ft. 2 in.)	2.18 m (7 ft. 2 in.)
L Stabilizer Spread, Operating			
Standard Stabilizers	3.10 m (10 ft. 2 in.)	3.10 m (10 ft. 2 in.)	3.10 m (10 ft. 2 in.)
Extended Stabilizers	3.45 m (11 ft. 4 in.)	3.45 m (11 ft. 4 in.)	3.45 m (11 ft. 4 in.)
M Stabilizer Overall Width, Operating			
Standard Stabilizers	3.53 m (11 ft. 7 in.)	3.53 m (11 ft. 7 in.)	3.53 m (11 ft. 7 in.)
Extended Stabilizers	4.03 m (13 ft. 3 in.)	4.03 m (13 ft. 3 in.)	4.03 m (13 ft. 3 in.)
N Bucket Rotation	190 deg.	190 deg.	190 deg.
O Transport Height	3.48 m (11 ft. 5 in.)	3.49 m (11 ft. 5 in.)	3.49 m (11 ft. 5 in.)

While general information, pictures, and descriptions are provided, some illustrations and text may include product options and accessories NOT AVAILABLE in all regions, and in some countries products and accessories may require modifications or additions to ensure compliance with the local regulations of those countries.

Loader Dimensions and Performance		310SL			
P	Bucket Dump Angle, Maximum	45 deg.			
Q	Rollback Angle at Ground Level	40 deg.			
		<i>Heavy-duty</i>	<i>Heavy-duty long lip</i>	<i>Heavy-duty</i>	<i>Multipurpose</i>
	Bucket Capacity	0.86 m ³ (1.12 cu. yd.)	0.96 m ³ (1.25 cu. yd.)	1.00 m ³ (1.31 cu. yd.)	1.00 m ³ (1.31 cu. yd.)
	Width	2184 mm (86 in.)	2184 mm (86 in.)	2337 mm (92 in.)	2337 mm (92 in.)
	Weight	390 kg (860 lb.)	405 kg (892 lb.)	521 kg (1,148 lb.)	863 kg (1,902 lb.)
	Breakout Force	49.2 kN (11,052 lb.)	46.4 kN (10,442 lb.)	46.9 kN (10,541 lb.)	43.2 kN (9,722 lb.)
	Lift Capacity, Full Height	3492 kg (7,698 lb.)	3224 kg (7,108 lb.)	3352 kg (7,390 lb.)	2862 kg (6,309 lb.)
R	Height to Bucket Hinge Pin, Maximum	3.47 m (11 ft. 5 in.)			
S	Dump Clearance, Bucket at 45 deg.	2.76 m (9 ft. 1 in.)			
T	Reach at Full Height, Bucket at 45 deg.	678 mm (26.7 in.)			
U	Digging Depth Below Ground, Bucket Level	83 mm (3.3 in.)			
V	Length from Front Axle Centerline to Bucket Cutting Edge	1.96 m (6 ft. 5 in.)	2.10 m (6 ft. 11 in.)	2.03 m (6 ft. 8 in.)	2.08 m (6 ft. 10 in.)

Lift Capacity with Quick-Coupler Forks		1219-mm (48 in.) Tines		1524-mm (60 in.) Tines	
Hydraulic Capacity					
A'	Maximum Height	2067 kg (4,558 lb.)	1932 kg (4,260 lb.)		
B'	Maximum Reach	3183 kg (7,017 lb.)	3001 kg (6,617 lb.)		
C'	At Ground Line	4020 kg (8,863 lb.)	3768 kg (8,306 lb.)		
D'	Below Ground Line	198 mm (7.8 in.)	198 mm (7.8 in.)		



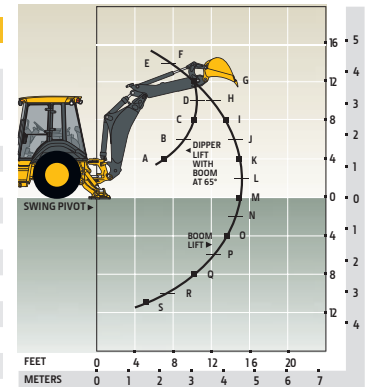
With Standard Dipperstick

Lift Capacities

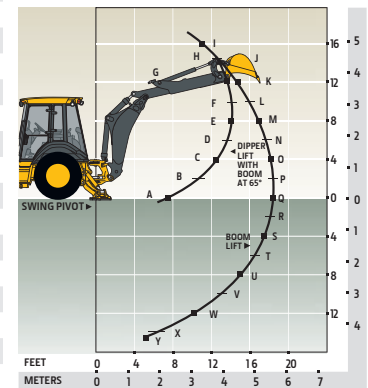
Lift capacities are over-end values in kg (lb.). Figures listed are 100% of the maximum lift force available.

	With Standard Dipperstick		With 1.06-m (3 ft. 6 in.) Extendable Dipperstick, Retracted		With 1.06-m (3 ft. 6 in.) Extendable Dipperstick, Extended	
	Standard Lift	Lift Mode	Standard Lift	Lift Mode	Standard Lift	Lift Mode
A	4782 kg (10,543 lb.)	4858 kg (10,710 lb.)	4604 kg (10,151 lb.)	4604 kg (10,151 lb.)	3554 kg (7,834 lb.)	3946 kg (8,699 lb.)
B	3673 kg (8,097 lb.)	3673 kg (8,097 lb.)	3251 kg (7,166 lb.)	3251 kg (7,166 lb.)	2480 kg (5,468 lb.)	2758 kg (6,081 lb.)
C	3236 kg (7,135 lb.)	3236 kg (7,135 lb.)	2913 kg (6,423 lb.)	2913 kg (6,423 lb.)	2156 kg (4,753 lb.)	2399 kg (5,290 lb.)
D	3168 kg (6,985 lb.)	3168 kg (6,985 lb.)	2859 kg (6,302 lb.)	2859 kg (6,302 lb.)	2012 kg (4,436 lb.)	2185 kg (4,817 lb.)
E	3038 kg (6,698 lb.)	3364 kg (7,415 lb.)	2619 kg (5,775 lb.)	2912 kg (6,420 lb.)	1918 kg (4,228 lb.)	2087 kg (4,601 lb.)
F	1839 kg (4,054 lb.)	2051 kg (4,522 lb.)	1488 kg (3,281 lb.)	1678 kg (3,699 lb.)	1830 kg (4,034 lb.)	2038 kg (4,493 lb.)
G	1936 kg (4,269 lb.)	2165 kg (4,773 lb.)	1635 kg (3,604 lb.)	1846 kg (4,070 lb.)	1715 kg (3,782 lb.)	1912 kg (4,214 lb.)
H	1918 kg (4,228 lb.)	2147 kg (4,734 lb.)	1652 kg (3,643 lb.)	1869 kg (4,120 lb.)	1525 kg (3,362 lb.)	1701 kg (3,749 lb.)
I	1873 kg (4,128 lb.)	2099 kg (4,628 lb.)	1633 kg (3,599 lb.)	1850 kg (4,078 lb.)	1059 kg (2,334 lb.)	1198 kg (2,641 lb.)
J	1820 kg (4,013 lb.)	2043 kg (4,504 lb.)	1599 kg (3,526 lb.)	1815 kg (4,001 lb.)	1187 kg (2,616 lb.)	1344 kg (2,962 lb.)
K	1768 kg (3,897 lb.)	1986 kg (4,379 lb.)	1562 kg (3,443 lb.)	1775 kg (3,913 lb.)	1236 kg (2,726 lb.)	1401 kg (3,089 lb.)
L	1717 kg (3,786 lb.)	1932 kg (4,259 lb.)	1524 kg (3,360 lb.)	1735 kg (3,825 lb.)	1253 kg (2,763 lb.)	1422 kg (3,135 lb.)
M	1671 kg (3,685 lb.)	1882 kg (4,150 lb.)	1489 kg (3,283 lb.)	1698 kg (3,743 lb.)	1254 kg (2,765 lb.)	1425 kg (3,141 lb.)
N	1630 kg (3,594 lb.)	1838 kg (4,053 lb.)	1458 kg (3,214 lb.)	1665 kg (3,671 lb.)	1247 kg (2,749 lb.)	1418 kg (3,127 lb.)
O	1596 kg (3,518 lb.)	1802 kg (3,972 lb.)	1443 kg (3,160 lb.)	1640 kg (3,615 lb.)	1236 kg (2,724 lb.)	1407 kg (3,102 lb.)
P	1571 kg (3,463 lb.)	1776 kg (3,916 lb.)	1419 kg (3,128 lb.)	1626 kg (3,585 lb.)	1223 kg (2,696 lb.)	1394 kg (3,073 lb.)
Q	1563 kg (3,447 lb.)	1771 kg (3,904 lb.)	1424 kg (3,140 lb.)	1635 kg (3,605 lb.)	1210 kg (2,667 lb.)	1381 kg (3,044 lb.)
R	1609 kg (3,547 lb.)	1827 kg (4,027 lb.)	1486 kg (3,276 lb.)	1710 kg (3,769 lb.)	1198 kg (2,642 lb.)	1369 kg (3,019 lb.)
S	1735 kg (3,824 lb.)	1975 kg (4,353 lb.)	1604 kg (3,537 lb.)	1849 kg (4,076 lb.)	1190 kg (2,622 lb.)	1361 kg (3,001 lb.)
T	—	—	—	—	1186 kg (2,614 lb.)	1359 kg (2,995 lb.)
U	—	—	—	—	1190 kg (2,623 lb.)	1365 kg (3,009 lb.)
V	—	—	—	—	1208 kg (2,664 lb.)	1388 kg (3,061 lb.)
W	—	—	—	—	1261 kg (2,780 lb.)	1451 kg (3,199 lb.)
X	—	—	—	—	1446 kg (3,188 lb.)	1666 kg (3,674 lb.)
Y	—	—	—	—	1986 kg (4,377 lb.)	2289 kg (5,047 lb.)

*Indicates capacity is stability limited. Lift capacities are over end with stabilizers down and tires tangent to ground.



With Extendable Dipperstick, Retracted



With Extendable Dipperstick, Extended