

C227 C232 C238

200 SERIES COMPACT TRACK LOADERS



200
SERIES



BUILT AROUND YOU

Built Around You

Introducing the new 200 Series compact track loaders. With five years in the making, they're bigger, badder and better!

New Holland engineers used input from hundreds of customers to design our new line of compact track loaders. Designed from the ground up, these machines were built around you. No matter what your line of work – agriculture, landscaping or construction – you'll work faster, smarter and more profitably with our new compact track loaders.

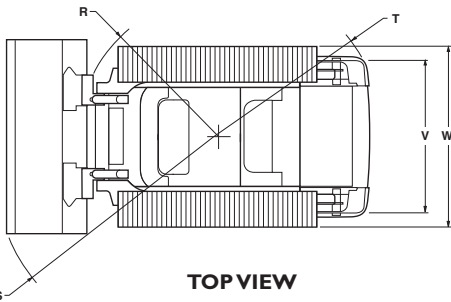
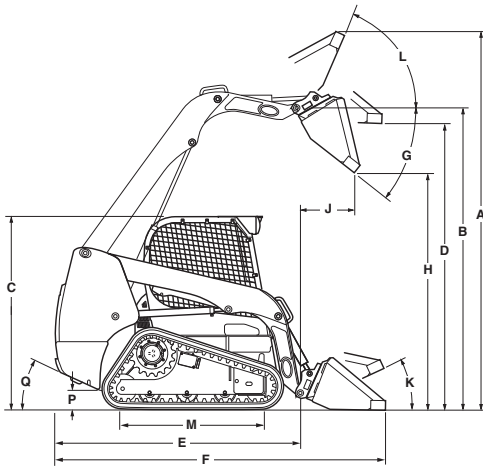
- New Holland's patented vertical lift Super Boom® design has best-in-class forward dump height and reach. It's more efficient to load materials to the center of the truck.
- Our industry leading bucket breakout force and dump angle provide fast cycle times and improve productivity.
- The rigid undercarriage design is simple, yet rugged, giving you a stable ride over rough working surfaces. Plus, with fewer moving parts than a suspension track system, it's easier to maintain.
- Need more room? We have one of the widest, most comfortable cabs in the industry, giving you more head and foot room, and offering twice the visibility in critical zones. Better visibility allows efficient movement around the worksite.
- Comfortable operators get more work done. Just a few new convenience features include: keyless start, a Glide Ride option, available heated or air-ride seat and a self-leveling bucket feature.
- The overall width has been reduced from 84 inches to 78 inches on the C232 and C238 units equipped with the 17.7 inch tracks. This change makes it easy to transport on standard trailers.
- Daily maintenance just got easier. Our ground-level service checkpoints are easy to access and grouped together. Plus, the new flip-top cab tilts forward for complete component access.

With over 55 attachments available for the new 200 Series compact track loaders, these machines are multi-task masters! Whether you work in agriculture, landscaping or construction, New Holland delivers the equipment to get the job done right.

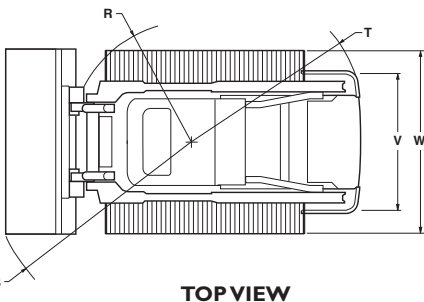
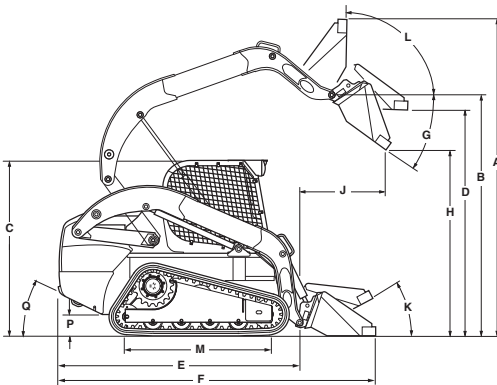


Compact Track Loader Specifications

RADIAL LIFT (C227)



VERTICAL LIFT (C232 & C238)



DIMENSIONS	C227	C232	C238
Overall operating height			
A. with foundry/excavating bucket short lip	3920 mm	4096 mm	4096 mm
A. with low profile/standard lip bucket	4020 mm	4199 mm	4199 mm
A. with low profile extended/long lip bucket	4146 mm	4327 mm	4327 mm
Height to			
B. Bucket hinge pin	3124 mm	3330 mm	3330 mm
C. Top of ROPS	1998 mm	2043 mm	2043 mm
D. Bottom of level bucket, fully raised	2950 mm	3155 mm	3155 mm
Overall length			
E. without attachment with coupler	2669 mm	2993 mm	2986 mm
F. with foundry excavation bucket on ground	3292 mm	3631 mm	3624 mm
F. with low profile bucket	3397 mm	3734 mm	3727 mm
F. with low profile extended bucket	3525 mm	3863 mm	3856 mm
Dump			
G. Dump angle	40°	55°	55°
H. Dump height			
with foundry/excavating bucket short lip	2495 mm	2655 mm	2655 mm
with low profile/standard lip bucket	2428 mm	2596 mm	2596 mm
J. Dump reach (max height)	568 mm	864 mm	864 mm
Maximum attachment rollback			
K. Bucket on ground	31°	33°	33°
L. Bucket at full height	99°	85°	85°
Track and Clearance			
M. Track on ground	1441 mm	1602 mm	1602 mm
P. Ground clearance (bottom of belly pan)	203 mm	243 mm	243 mm
Q. Angle of departure	32°	32°	32°
Clearance circle			
R. without bucket	1289 mm	56.2 mm	56.2 mm
S. with foundry bucket in carry position w/72" bucket	2031 mm	2155 mm w/78" bucket	2155 mm w/78" bucket
S. with low profile bucket on ground w/72" bucket	2112 mm	2246 mm w/78" bucket	2246 mm w/78" bucket
S. with extended low profile on ground w/72" bucket	2228 mm	2352 mm w/78" bucket	2352 mm w/78" bucket
T. Clearance circle rear	1599 mm	1796 mm	1789 mm
V. Track gauge	1356 mm	1480 mm	1480 mm
W. Overall width	1676 mm	1930 mm	1930 mm





Compact Track Loader Specifications

ENGINE	C227	C232	C238
Manufacturer/model	FPT / F5C E9454	FPT / F5C E9454	FPT / F5C E9454
Type	Diesel 4-stroke, turbo, D.I.	Diesel 4-stroke, turbo, D.I.	Diesel 4-stroke, turbo, D.I.
Cylinder	4	4	4
Bore/stroke	99 x 104 mm	99 x 104 mm	99 x 104 mm
Displacement	3.2 l	3.2 l	3.2 l
Fuel injection	Direct	Direct	Direct
Fuel	#2 diesel	#2 diesel	#2 diesel
Fuel filter	In-line w/ water separator	In-line w/ water separator	In-line w/ water separator
Air intake	Turbocharged w/ external EGR	Turbocharged w/ external EGR	Turbocharged w/ external EGR
Cooling	Liquid	Liquid	Liquid
Engine speeds			
High idle - no load	2675 +/- 75 rpm	2675 +/- 75 rpm	2675 +/- 75 rpm
Rated - full load	2500 rpm	2500 rpm	2500 rpm
Low idle	1075 +/- 75 rpm	1075 +/- 75 rpm	1075 +/- 75 rpm
Horsepower per SAE J1349			
Gross hp (kW)	74 (55) @ 2500 rpm	82 (61) @ 2500 rpm	90 (67) @ 2500 rpm
Net hp (kW)	70 (52) @ 2500 rpm	76 (57) @ 2500 rpm	84 (63) @ 2500 rpm
Peak torque	275 Nm @ 1400 rpm	305 Nm @ 1400 rpm	340 Nm @ 1400 rpm

POWERTRAIN	C227	C232	C238
Drive pump electro hydraulic			
Pump to engine ratio	1:1	1:1	1:1
Displacement	46 cc	46 cc	46 cc
Flow	115 Lpm	115 Lpm	115 Lpm
Charge pressure	25 bar	25 bar	25 bar
System relief	360 bar	360 bar	360 bar
Control	Electro hydraulic	Electro hydraulic	Electro hydraulic
Drive motors			
Effective Max displacement	1098 cc	1098 cc	1098 cc
Effective Displacement opt high speed	714 cc	714 cc	714 cc
Speed @ high idle engine	105 rpm	105 rpm	105 rpm
Speed @ optional high speed	161 rpm	161 rpm	161 rpm
Torque @ max displ. and relief pressure	6283 Nm	6283 Nm	6283 Nm
Travel speed			
Low range	9.3 km/h	9.3 km/h	9.3 km/h
High range (optional)	13.4 km/h	13.4 km/h	13.4 km/h
Final drive	Planetary Reduction	Planetary Reduction	Planetary Reduction
Parking brake			
Type	Spring applied, hydraulic release disc	Spring applied, hydraulic release disc	Spring applied, hydraulic release disc
Engagement	Depress on/off brake button on instrument panel, disconnect lapbelt, get off seat, or stop engine	Depress on/off brake button on instrument panel, disconnect lapbelt, get off seat, or stop engine	Depress on/off brake button on instrument panel, disconnect lapbelt, get off seat, or stop engine

UNDERCARRIAGE	C227	C232	C238
System	High drive offset tread pattern	High drive offset tread pattern	High drive offset tread pattern
Idlers / rollers per side	2/3	2/4	2/4
Ground pressure			
PSI (with 12.6", 320 mm belt)	5.7	NA	NA
PSI (with 15.7", 400 mm belt)	NA	4.8	5.0
PSI (with 17.7", 450 mm belt)	NA	4.3	4.5

Compact Track Loader Specifications

HYDRAULIC SYSTEM	C227	C232	C238
Pumps			
Type	Gear	Gear	Gear
Displacement standard aux.	34.1 cc	34.1 cc	34.1 cc
Displacement high flow aux.	12.5 cc	18.3 cc	18.3 cc
Pump flow, gpm	85 Lpm	85 Lpm	85 Lpm
Optional high flow	116 Lpm	131 Lpm	131 Lpm
Loader control valve			
	NA		NA
Type	3 spool / open center / series	3 spool / open center / series	3 spool / open center / series
Relief pressure	207 bar	207 bar	207 bar
Hydraulic filter	6 micron / spin on	6 micron / spin on	6 micron / spin on

CYLINDERS	C227	C232	C238
Lift cylinder			
Bore diameter	64 mm	64 mm	64 mm
Rod diameter	45 mm	45mm	45 mm
Stroke in	805 mm	852 mm	852 mm
Closed length	1158.0 mm	1192 mm	1192 mm
Bucket cylinders			
Bore diameter	70 mm	76 mm	76 mm
Rod diameter	35 mm	38 mm	38 mm
Stroke	410 mm	410 mm	410 mm
Closed length	610 mm	610 mm	610 mm

WEIGHTS	C227	C232	C238
Operating weight	3720 kg	4370 kg	4581 kg
Shipping weight	3585 kg	4220 kg	4430 kg

SERVICE CAPACITIES	C227	C232	C238
Fuel tank	75.5 l	96.5 l	96.5 l
Engine oil with filter	9.5 l	9.5 l	9.5 l
Hydraulic system			
Reservoir	20 l	22.75 l	22.75 l

PERFORMANCE SPECS	C227	C232	C238
Rated operating load			
50% tip	1225 kg	1451 kg	1723 kg
35% tip, lbs (kg)	859 kg	1018 kg	1209 kg
Tipping load, lbs (kg)	2449 kg	2902 kg	3447 kg
Breakout forces			
Lift cylinder	27.3 kN	22 kN	22 kN
Bucket cylinder	31.8 kN	38.2 kN	38.2 kN
Cycle times			
Raise	3.7 sec	3.9 sec	3.9 sec
Lower	1.9 sec	2.5 sec	2.5 sec
Dump	2.3 sec	2.7 sec	2.7 sec
Roll back	1.7 sec	2.0 sec	2.0 sec

For all Dimensions and Performance Metrics, unless otherwise specified:

C227 - Equipped with 79 kg operator, 72" Dirt & Foundry Bucket with 320 mm track belt

C232 - Equipped with 79 kg operator, 78" Heavy Duty Bucket and 450 mm track belt

C238 - Equipped with 79 kg operator, 78" Heavy Duty Bucket and 450 mm track belt

C227 C232 C238

200 SERIES COMPACT TRACK LOADERS

Built Around You

Introducing the new 200 Series skid steer loaders. **With five years in the making, they're bigger, badder and better!**

New Holland engineers used input from hundreds of customers to design our new line of skid steers. Designed from the ground up, these machines were built around you. No matter what your line of work - agriculture, landscaping or construction – you'll work faster, smarter and more profitably with our new skid steers.

- New Holland's patented vertical lift Super Boom® design has best-in-class forward dump height and reach. It's more efficient to load materials to the center of the truck.
- Our industry leading bucket breakout force and dump angle provide fast cycle times and improve productivity.
- With the longest wheelbase in the industry and a low center of gravity, New Holland skid steers are the most stable machines on the market. Confident operators get more work done.
- Need more room? The widest, most comfortable cab in the industry gives you more head and foot room, and offers twice the visibility in critical zones. Better visibility allows efficient movement around the worksite.
- Comfortable operators get more work done. Just a few new convenience features include: keyless start, a Glide Ride option, available heated or air-ride seat and a self-leveling bucket feature.
- Daily maintenance just got easier. Our ground-level service checkpoints are easy to access and grouped together. Plus, the new flip-top cab tilts forward for complete component access.

With over 55 attachments available for the new 200 Series skid steers, these machines are multi-task masters! Whether you work in agriculture, landscaping or construction, New Holland delivers the equipment to get the job done right.

AT YOUR OWN DEALERSHIP

The information contained in this brochure is intended to be of general nature. The NEW HOLLAND CONSTRUCTION MACHINERY S.p.A. company may at any time and from time to time, for technical or other necessary reasons, modify any of the details or specifications of the product described in this brochure. Illustrations do not necessarily show products in standard conditions. The dimensions, weights and capacities shown herein, as well as any conversion data used, are approximate only and are subject to variations within normal manufacturing techniques.

Printed on recycled paper
CoC-FSC 00010 CQ Mixed sources



Printed in Italy - MediaCross Firenze - Cod. IRI I08NCGB prelim - Printed 07/11



BUILT AROUND YOU

WWW.NEWHOLLAND.COM