



# Cat<sup>®</sup> 299C

## COMPACT TRACK LOADER

### FEATURES:

The Cat<sup>®</sup> 299C Compact Track Loader, with its vertical lift design, delivers extended reach and lift height for quick and easy truck loading. The torsion axle suspension system provides superior traction, flotation and the ability to work in a wide range of underfoot conditions and applications. The 299C features the following:

- **Sealed and pressurized cab option** provides a cleaner and quieter operating environment.
- **Seat mounted adjustable joystick controls and available air ride seat** make the C-Series the industry leader in operator comfort.
- **High performance power train** provides high engine horsepower and torque. Electronic Torque Management and standard two speed travel provide maximum performance and production capabilities.

- **High Flow XPS hydraulic system** is available for applications that demand maximum hydraulic work tool performance.
- **Fully independent torsion axle suspension** is standard on C-Series Compact Track Loaders. This improves operation on rough terrain, enabling better load retention and operator comfort.
- **Easy routine maintenance** helps reduce machine downtime for greater productivity.
- **Caterpillar's broad range of performance matched work tools** make the Cat Compact Track Loader the most versatile machine on the jobsite.

## Specifications

### Engine

Engine Model	Cat <sup>®</sup> C3.4T	
Gross Power SAE J1995	70 kW	94 hp
Net Power SAE 1349	67 kW	90 hp
Displacement	3.3 L	201 in <sup>3</sup>
Stroke	120 mm	4.7 in
Bore	94 mm	3.7 in

### Weights

Operating Weight	4867 kg	10,730 lb
------------------	---------	-----------

### Power Train

Travel Speed (Forward or Reverse):		
One Speed	8.1 kph	5.0 mph
Two Speed	13.6 kph	8.5 mph

### Hydraulic System

Hydraulic Flow – Standard:		
Loader Hydraulic Pressure	23 000 kPa	3,335 psi
Loader Hydraulic Flow	84 L/min	22 gal/min
Hydraulic Power	31.9 kW	42.8 hp
Hydraulic Flow – High Flow XPS:		
Max. Loader Hydraulic Pressure	28 000 kPa	4,061 psi
Max. Loader Hydraulic Flow	125 L/min	33 gal/min

### Operating Specifications

Rated Operating Capacity:		
35% Tipping Load	1318 kg	2,905 lb
50% Tipping Load	1882 kg	4,150 lb
Rated Operating Capacity with Optional Counterweight	2004 kg	4,418 lb
Tipping Load	3782 kg	8,338 lb
Breakout Force, Tilt Cylinder	3315 kg	7,308 lb
Ground Contact Area	1.62 m <sup>2</sup>	2,504 in <sup>2</sup>
Ground Pressure	29.6 kPa	4.3 psi

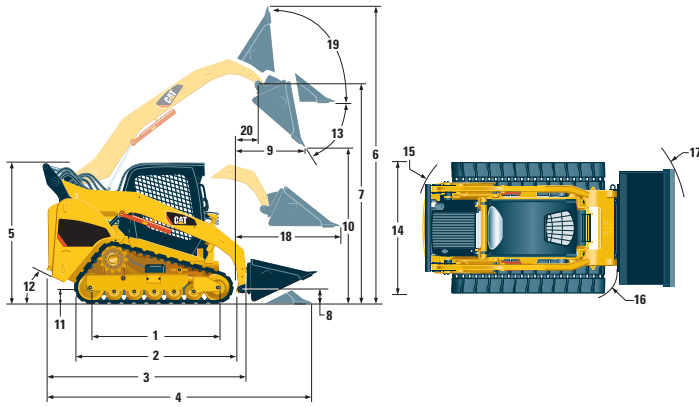
### Cab

ROPS	SAE J1040 MAY94, ISO 3471:1994
FOPS	SAE J1043 SEPT87, ISO 3449:1992 Level I
FOPS Level II	SAE J231 JAN81, ISO 3449:1992 Level II

### Service Refill Capacities

Cooling System	14 L	3.7 gal
Engine Crankcase	10 L	2.6 gal
Fuel Tank	98 L	26 gal
Hydraulic System	57 L	15 gal
Hydraulic Tank	42 L	11 gal

# 299C Compact Track Loader



## Dimensions

1 Length of Track on Ground	1767 mm	69.6 in
2 Overall Length of Track	2270 mm	89.4 in
3 Length w/o Bucket	3101 mm	122.1 in
4 Length w/Bucket on Ground	3820 mm	150.4 in
5 Height to Top of Cab	2117 mm	83.3 in
6 Max. Overall Height	4121 mm	162.3 in
7 Bucket Pin Height at Max. Lift	3286 mm	129.4 in
8 Bucket Pin Height at Carry Position	195 mm	7.7 in
9 Reach at Max. Lift and Dump	763 mm	30.0 in
10 Clearance at Max. Lift and Dump	2493 mm	98.1 in
11 Ground Clearance	231 mm	9.1 in
12 Departure Angle	38°	
13 Maximum Dump Angle	51°	
14 Vehicle Width	1981 mm	78.0 in
15 Turning Radius from Center – Machine Rear	1775 mm	69.9 in
16 Turning Radius from Center – Coupler	1471 mm	57.9 in
17 Turning Radius from Center – Bucket	2314 mm	91.1 in
18 Max. Reach w/Arms Parallel to Ground	1269 mm	49.9 in
19 Rack Back Angle at Max. Height	83°	
20 Bucket Pin Reach at Max. Lift	374 mm	14.7 in

## MANDATORY EQUIPMENT

- Hydraulics, Standard or High Flow XPS
- Quick Coupler, Mechanical or Hydraulic
- Seat Belt, 50 mm (2 in) or 75 mm (3 in)

### COMFORT PACKAGE (must select one of the following)

- Open ROPS (C1): *Radio Ready, Suspension Seat, (No Heater or Door)*
- Enclosed ROPS with Heat (C2): *Cup Holder, Radio Ready, Seat (choice of Suspension or Air Ride), Heater and Defroster, Side Windows, Door (either Glass or Polycarbonate)*
- Enclosed ROPS with A/C (C3): *C2 + Air Conditioner*

### PERFORMANCE PACKAGE (must select one of the following)

- TL1: *Two Speed*
- TL2: *Two Speed, Self Level*
- TL3: *Two Speed, Self Level, Advanced Machine Information and Control System (AMICS)*

## STANDARD EQUIPMENT

### ELECTRICAL

- 12 volt Electrical System
- 90 ampere Alternator
- Automatic Glow Plug Activation
- Ignition Key Start/Stop Switch
- Lights: *Gauge Backlighting, Two Rear Tail Lights, Two Rear Working Lights, Two Adjustable Front Halogen Lights, Dome Light*
- Backup Alarm
- Heavy Duty Battery, 880 CCA

### OPERATOR ENVIRONMENT

- Gauges: *Fuel Level, Hour Meter*
- Operator Warning System Indicators: *Air Filter Restriction, Alternator Output, Armrest Raised/Operator Out of Seat, Engine Coolant Temperature, Engine Oil Pressure, Glow Plug Activation, Hydraulic Filter Restriction, Hydraulic Oil Temperature, Park Brake Engaged*
- Vinyl Seat, Mechanical Suspension
- Fold in Ergonomic Contoured Armrest
- Control Interlock System, when operator leaves seat or armrest raised: *Hydraulic System Disables, Hydrostatic Transmission Disables, Parking Brake Engages*
- ROPS Cab, Open, Tilt Up
- FOPS, Level I
- Top and Rear Windows
- Headliner, Deluxe
- Floor Mat
- Interior Rear View Mirror
- 12 volt Electric Socket
- Horn

### POWER TRAIN

- Cat® C3.4T Tier 3 Compliant Diesel Engine
- Air Cleaner, Dual Element, Radial Seal
- S-O-S<sup>SM</sup> Sampling Valve, Hydraulic Oil
- Filters, Spin-on, Hydraulic
- Filters, Bayonet-type, Fuel and Water Separator
- Tilt Up Radiator/Hydraulic Oil Cooler
- Spring Applied, Hydraulically Released, Wet Multi Disc Parking Brakes
- Hydrostatic Transmission, 2 Speed (standard)

### OTHER

- Suspension, Torsion Axles
- Engine Enclosure, Lockable
- Extended Life Antifreeze, -37° C (-34° F)
- Machine Tie Down Points (4)
- Support, Lift Arm
- Hydraulic Oil Level Sight Gauge
- Radiator Coolant Level Sight Gauge
- Radiator, Expansion Bottle
- Caterpillar ToughGuard™ Hose
- Auxiliary, Hydraulics, Continuous Flow
- Heavy Duty, Flat Faced Quick Disconnects
- Split D-Ring to Route Work Tool Hoses Along Side of Left Lift Arm
- Electrical Outlet, Beacon
- Belly Pan Cleanout
- Variable Speed Demand Fan

## OPTIONAL ATTACHMENTS

- Counterweight
- Beacon, Rotating
- Engine Block Heater – 120V or 240V
- Oil, Hydraulic, Cold Operation
- Paint, Custom
- AM/FM/Weather Band Radio with CD Player and Auxiliary Input Jack

For more complete information on Cat products, dealer services, and industry solutions, visit us on the web at [www.cat.com](http://www.cat.com)

© 2010 Caterpillar  
All Rights Reserved  
Printed in U.S.A.

Materials and specifications are subject to change without notice. Featured machines in photos may include additional equipment. See your Caterpillar dealer for available options.

CAT, CATERPILLAR, their respective logos, "Caterpillar Yellow" and the "Power Edge" trade dress, as well as corporate and product identity used herein, are trademarks of Caterpillar and may not be used without permission.

AEHQ5981-01 (5-10)  
Replaces AEHQ5981

**CATERPILLAR®**