



# Cat<sup>®</sup> 259B Series 3

## COMPACT TRACK LOADER

### FEATURES:

The Cat<sup>®</sup> 259B Series 3 Compact Track Loader, with its vertical lift design, delivers extended reach and lift height for quick and easy truck loading. Its standard, suspended undercarriage system provides superior traction, flotation, stability and speed to work in a wide range of applications and underfoot conditions. The 259B Series 3 features the following:

- **Ergonomic operator station** features easy to use pilot operated joystick controls for reduced operator fatigue and increased productivity.
- **High performance power train** provides high engine horsepower and torque, allowing part-throttle operation for lower sound levels and fuel consumption.

- **Advanced hydraulic system** is designed for maximum power and reliability.
- **Fully independent torsion axle suspension** is standard on the 259B Series 3 Compact Track Loader. This improves operation on rough terrain, enabling better load retention and operator comfort.
- **Standard two speed** provides additional travel speed, when needed, while providing excellent low range drawbar performance for maximum digging and dozing productivity.
- **Easy routine maintenance** helps reduce machine downtime for greater productivity.
- **Broad range of performance matched Cat<sup>®</sup> Work Tools** make the Cat Compact Track Loader the most versatile machine on the jobsite.

## Specifications

### Engine

Engine Model	Cat <sup>®</sup> C3.4 DIT	
Gross Power SAE J1995	56 kW	75 hp
Net Power SAE 1349/ISO 9249	53 kW	71 hp
Displacement	3.3 L	201 in <sup>3</sup>
Stroke	120 mm	4.7 in
Bore	94 mm	3.7 in

### Weights\*

Operating Weight (320 mm/12.6 in tracks)	4052 kg	8,934 lb
Operating Weight (400 mm/15.7 in tracks)	4185 kg	9,227 lb

### Power Train

Travel Speed (Forward or Reverse)		
One Speed	9.5 km/h	5.9 mph
Two Speed	13.6 km/h	8.5 mph

### Hydraulic System

Hydraulic Flow – Standard:		
Loader Hydraulic Pressure	23 000 kPa	3,335 psi
Loader Hydraulic Flow	83 L/min	22 gal/min
Hydraulic Power (calculated)	31.9 kW	42.8 hp

\* Operating Weight, Operating Specifications and Dimensions all based on 75 kg (165 lb) operator, all fluids, 2 speed, OROPS, 1676 mm (66 in) dirt bucket, no optional counterweights, 320 mm (12.6 in) tracks, and manual quick coupler (unless otherwise noted).

### Operating Specifications\*

Rated Operating Capacity:		
35% Tipping Load	937 kg	2,065 lb
50% Tipping Load	1338 kg	2,950 lb
Rated Operating Capacity with Optional Counterweight		
Tipping Load (320 mm/12.6 in tracks)	2676 kg	5,900 lb
Breakout Force, Tilt Cylinder	2045 kg	4,508 lb
Ground Contact Area (320 mm/12.6 in track)	0.96 m <sup>2</sup>	1,495 in <sup>2</sup>
Ground Contact Area (400 mm/15.7 in track)	1.19 m <sup>2</sup>	1,848 in <sup>2</sup>
Ground Pressure (320 mm/12.6 in track)	41.2 kPa	6.0 psi
Ground Pressure (400 mm/15.7 in track)	34.4 kPa	5.0 psi

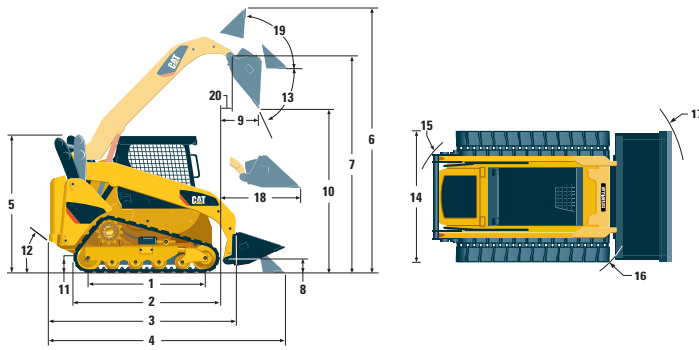
### Cab

ROPS	SAE J1040 MAY94, ISO 3471:1994
FOPS	SAE J/ISO 3449 APR98 Level I, ISO 3449:1992 Level I
FOPS Level II	SAE J/ISO 3449 APR98 Level II, ISO 3449:1992 Level II (optional)

### Service Refill Capacities

Cooling System	10 L	2.6 gal
Engine Crankcase	9 L	2.4 gal
Fuel Tank	84 L	22.2 gal
Hydraulic System	55 L	14.5 gal
Hydraulic Tank	35 L	9.2 gal

# 259B3 Series 3 Compact Track Loader



## Dimensions\*

1 Length of Track on Ground	1495 mm	59 in
2 Overall Length of Track	1995 mm	79 in
3 Length w/o Bucket	2722 mm	107 in
4 Length w/Bucket on Ground	3432 mm	135 in
5 Height to Top of Cab	1986 mm	78 in
6 Maximum Overall Height	3872 mm	152 in
7 Bucket Pin Height at Maximum Lift	3046 mm	120 in
8 Bucket Pin Height at Carry Position	195 mm	8 in
9 Reach at Maximum Lift and Dump	740 mm	29 in
10 Clearance at Maximum Lift and Dump	2243 mm	88 in
11 Ground Clearance	222 mm	9 in
12 Departure Angle	35°	
13 Maximum Dump Angle	49.5°	
14 Vehicle Width (320 mm/12.6 in tracks)	1676 mm	66 in
Vehicle Width (400 mm/15.7 in tracks)	1755 mm	69 in
15 Turning Radius from Center – Machine Rear	1471 mm	58 in
16 Turning Radius from Center – Coupler	1393 mm	55 in
17 Turning Radius from Center – Bucket	2174 mm	86 in
18 Maximum Reach w/Arms Parallel to Ground	1338 mm	53 in
19 Rack Back Angle at Maximum Height	87°	
20 Bucket Pin Reach at Maximum Lift	309 mm	12.1 in

## MANDATORY EQUIPMENT

- Quick Coupler, Mechanical or Hydraulic
- Seat Belt, 50 mm (2 in) or 75 mm (3 in)
- EU Preparation Package (includes Demand Fan) (Europe only)

### COMFORT PACKAGE (must select one of the following)

- Open ROPS (C0): *Static Seat*
- Open ROPS (C1): *Suspension Seat, Deluxe Headliner*
- Enclosed ROPS (C2): *C1 + Heater, Cab Door, Side Windows, Cup Holder, Cab Debris Barrier*
- Enclosed ROPS (C3): *C2 + Air Conditioner*

### CONTROL PACKAGE (must select one of the following)

- Control Package 1: *Proportional Auxiliary Hydraulics Deluxe, 2 Speed*
- Control Package 2: *Proportional Auxiliary Hydraulics Deluxe, 2 Speed, Work Tool Harness*

## STANDARD EQUIPMENT

### ELECTRICAL

- 12 volt Electrical System
- 90 ampere Alternator
- Automatic Glow Plug Activation
- Heavy Duty Battery, 880 CCA
- Ignition Key Start/Stop Switch
- Lights: *Gauge Backlighting, Two Rear Tail Lights, Two Adjustable Front and Rear Halogen Lights, Dome Light*

### OPERATOR ENVIRONMENT

- Gauges: *Fuel Level, Hour Meter*
- Operator Warning System Indicators: *Air Filter Restriction, Alternator Output, Armrest Raised/Operator Out of Seat, Engine Coolant Temperature, Engine Oil Pressure, Glow Plug Activation, Hydraulic Filter Restriction, Hydraulic Oil Temperature, Parking Brake Engaged*
- Vinyl Seat
- Pull Down Ergonomic Contoured Armrest
- Control Interlock System, when operator leaves seat or armrest raised: *Hydraulic System Disables, Hydrostatic Transmission Disables, Parking Brake Engages*
- ROPS Cab, Open, Tilt Up
- FOPS, Level I
- Top and Rear Windows
- Floor Mat
- Interior Rear View Mirror
- 12 volt Electric Socket
- Horn
- Backup Alarm

### POWER TRAIN

- Cat® C3.4 DIT Tier 4 Interim/Stage IIIA Compliant Diesel Engine
- Air Cleaner, Dual Element, Radial Seal
- S-O-S<sup>SM</sup> Sampling Valve, Hydraulic Oil
- Filters: Spin on, Hydraulic
- Filters: Bayonet-type, Fuel and Water Separator
- Tilt Up Radiator/Hydraulic Oil Cooler
- Muffler, Standard
- Spring Applied, Hydraulically Released Parking Brakes
- Hydrostatic Transmission

### OTHER

- Engine Enclosure, Lockable
- Extended Life Antifreeze, -36° C (-33° F)
- Machine Tie Down Points (4)
- Support, Lift Arm
- Hydraulic Oil Level Sight Gauge
- Radiator Coolant Level Sight Gauge
- Radiator, Expansion Bottle
- Cat® ToughGuard™ Hose
- Auxiliary, Hydraulics, Continuous Flow
- Heavy Duty, Flat Faced Quick Disconnects
- Split D-Ring to Route Work Tool Hoses Along Side of Left Lift Arm
- Electrical Outlet, Beacon
- Belly Pan Cleanout

## OPTIONAL ATTACHMENTS

- 400 mm (15.7 in) track with dual flange front idler
- Counterweight, increases rated operating capacity 23 kg (50 lb)
- Variable Speed Demand Fan
- Beacon, Rotating
- Engine Block Heater – 120V or 240V
- Oil, Hydraulic, Cold Operation
- Paint, Custom

For more complete information on Cat products, dealer services, and industry solutions, visit us on the web at [www.cat.com](http://www.cat.com)

AEHQ6125 (06-10)

© 2010 Caterpillar  
All Rights Reserved  
Printed in U.S.A.

Materials and specifications are subject to change without notice. Featured machines in photos may include additional equipment. See your Cat dealer for available options.

CAT, CATERPILLAR, SAFETY.CAT.COM, their respective logos, "Caterpillar Yellow" and the "Power Edge" trade dress, as well as corporate and product identity used herein, are trademarks of Caterpillar and may not be used without permission.

