

## SPECIFICATIONS

	AA500/500L		AA600/600L	
Ground to Bottom of Platform*—				
End-Mounted Platform	44.0 ft	13.4 m	51.0 ft	15.5 m
Side-Mounted Platform(s)	43.0 ft	13.1 m	50.0 ft	15.2 m
Working Height*—				
End-Mounted Platform	49.0 ft	14.9 m	56.0 ft	17.1 m
Side-Mounted Platform(s)	48.0 ft	14.6 m	55.0 ft	16.8 m
Maximum Reach from Centerline of Rotation to Lip of Platform—				
End-Mounted Platform	27.4 ft	8.4 m	32.5 ft	9.9 m
Side-Mounted Rotating Platform(s)	27.6 ft	8.5 m	32.7 ft	10.0 m
Stowed Travel Height, approx.*	11.1 ft	3.4 m	10.8 ft	3.3 m
Upper Boom Isolation Gap, min	11.2 ft	3.4 m	15.9 ft	4.8 m
Fiberglass Lower Boom				
Insulator Isolation Gap	16 in	406 mm	24 in	609 mm
Platform Capacity—				
(may vary based on stability)				
End-Mounted, One-Man	450 lb	204.1 kg	450 lb	204.1 kg
End-Mounted, Two-Man†	700 lb	317.5 kg	700 lb	317.5 kg
Side-Mounted, Single One-Man	350 lb	158.7 kg	350 lb	158.7 kg
Side-Mounted, Two One-Man††	700 lb	317.5 kg	700 lb	317.5 kg
Material Handling Capacity up to	1500 lb	680.3 kg	1500 lb	680.3 kg
Upper Boom Articulation	0° to 153°		0° to 153°	
Lower Boom Articulation	-2° to 100°		-2° to 100°	
Rotation	Continuous		Continuous	

## OPTIONS

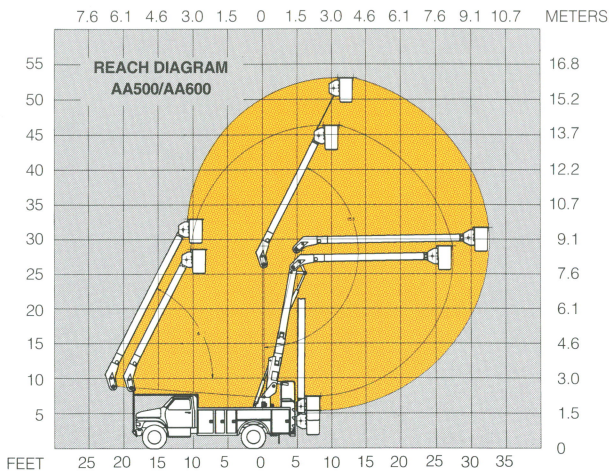
- Accumulator Charging Kit\*
- Emergency Operating System — Electric Powered, Including Pump and Motor
- Engine Start/Stop — Captive-Air or ROACS-3 Remote
- Gin Pole Socket — End-Mounted Platforms Only
- Holders — Chain Saw or Pruner
- Jib/Winch Material Handling System — with Tool Circuit, Side-Mounted Platforms Required
- Jib Adapter — for A.B. Chance Hot Line Tools
- Ladder — Platform Access
- Lifting Eye — on Lower Boom, Includes Angle Indicator and Capacity Chart
- Outriggers — Auxiliary; A-Frame, Modified A, or Radial
- Outrigger Interlock System
- Platforms — Fiberglass
  - End-Mounted, One-Man, 30 x 24 x 42 in (762 x 610 x 1067 mm)
  - Side-Mounted, One-Man, 24 x 24 x 42 in (610 x 610 x 1067 mm) One or Two Platforms, Includes Platform Tilt, with or without Hydraulic Rotators. Patented.
  - Side to End-Mounted Pivoting, One-Man, 30 x 24 x 42 in (762 x 610 x 1067 mm), Hydraulically Rotated. Patented.
- Platform Capacity — 500, 600, or 700 lb (226.8, 272.1, 317.5 kg) for Two-Man Platforms, Determined by Chassis and Stability Considerations
- Platform Covers and Liners
- Pumps — Pressure and Flow Compensating Piston or Vane
- Fall Arrest System
- Outrigger Motion Alarm
- Step — Platform Access, for Side-Mounted Platforms
- Wheel Chocks
- Tool Circuits — at Boom Tip, Pedestal, or Tailshelf

\* Based on 36 in (914 mm) chassis frame height

† May require two sets (four) outriggers and subbase. Optional 500 lb (226.8 kg) and 600 lb (272.1 kg) capacities available

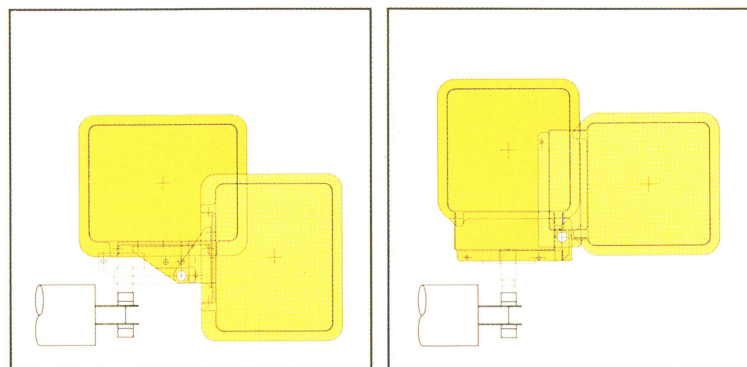
†† Capacity 600 lb (272.1 kg) if rotators are added

## REACH DIAGRAM



\*Not available on "L" Piston Pump Models

## PLATFORM ROTATORS



Side-Mounted to End-Mounted

0° to 94° Rotator

Altec Aerial Devices meet or exceed all applicable ANSI Standards as of the date of manufacture. Altec reserves the right to improve models and change specifications without notice or obligation.

Altec Sales and Service



Manufacturing and Service Facilities Located Throughout the United States and Canada

**Altec Industries, Inc.**

Post Office Box 10264  
Birmingham, Alabama 35202  
Phone 205/991-7733  
Fax 205/991-9993

AA Series-4M-1/99