

# 60G

Compact Excavator



JOHN DEERE





## ***SMALLER MACHINE, BIGGER POTENTIAL***

When you need more from your compact excavator, the John Deere 60G might be your “one and done.” This small-but-mighty muscle specializes in making work in close quarters seem like no big deal. Loaded with customer-inspired ideas like significant lift and reach, precise control, and an amazingly comfortable cab, digging, excavating, and loading tasks become big possibilities. Plus it runs quiet, too. Jobsite-proven standard and optional advantages including your choice of tracks and John Deere attachments push the 60G to make a sizable impact on the potential — and profitability — of your operation.

## 60G COMPACT EXCAVATOR

## FEATURES



### **Comfort, quiet, and control**

Spacious operator station has a wide entryway and backhoe- to excavator-style controls. Swing boom and foldable travel pedals are positioned for efficient operation and comfortable foot room. Noise-reducing aftertreatment device and isochronous high-idle speed help keep things noticeably quiet. Rubber cab mounts isolate the operator from noise and vibration.

### **Work, run, repeat**

Reduced-tail-swing design maximizes maneuverability and performance in cramped places and tight spaces. Compact stature enables easy transport between jobsites, perfect for “dig-and-go” projects.

### **Resource management**

Auto-idle automatically reduces engine speed when hydraulics aren't in use. Auto shutdown conserves precious fuel. Power/economy modes optimize power for digging applications, further improving fuel efficiency.

### **Get back to it**

Standard backfill blade enables the 60G to grade and fill, boosting machine versatility and stability when using attachments or working on uneven terrain.

### **Swing for the fences**

Put the 60G's independent-swing boom and 360-degree rotation to work taming difficult tasks. Impressive lift height and reach ease truck loading.



**OPT FOR CANOPY  
TO SUIT CLIMATE &  
WORK CONDITIONS**

### Handy hydraulics

Standard quick-coupler-equipped, boom-mounted auxiliary hydraulic lines simplify attachment hookup. Return-flow selector valve accommodates hydraulic-driven attachments that operate either one or two ways. Wedge-style coupler enables swift changes of a wide range of buckets and attachments, such as hydraulic hammers, plate compactors, and augers.

### Safe travels

No operator activation is required for high-speed travel. Track speeds automatically slow to low whenever a heavier load is encountered, then return to high when the load normalizes.

### Designed for durability

Heavy-duty side shields deflect material and impacts, protecting boom/blade cylinders and drive motors. Single-pin swing-post increases boom rigidity. Reinforced D-channel side frames and heavy-duty X-frame help extend wear life.

### Maintenance made easy

Hinged door provides wide-open access to the side-by-side oil cooler and radiator. Operator station tilts forward 50 degrees to reach the swing motor, hydraulic control valve, engine starter motor, and alternator. Extended service intervals allow the machine to work longer before maintenance is needed.

### Make the most of your investment

Already own some John Deere attachments? Many models including buckets, hydraulic hammers, and augers also work on other compact machines so you can redefine fleet utilization — and your bottom line.



# 60G COMPACT EXCAVATOR



## **MATCH YOUR TRACK TO THE APPLICATION**

### **The choice is yours**

Rubber tracks traverse virtually any terrain, including paved surfaces. Optional rubber grousers combine work-anywhere flexibility with steel-track serviceability. Steel tracks and steel tracks with rubber pads are also available.

### **Remote diagnostics and support**

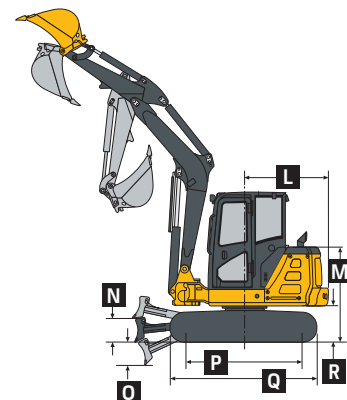
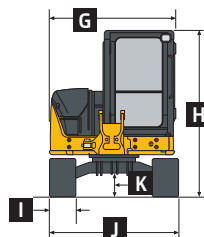
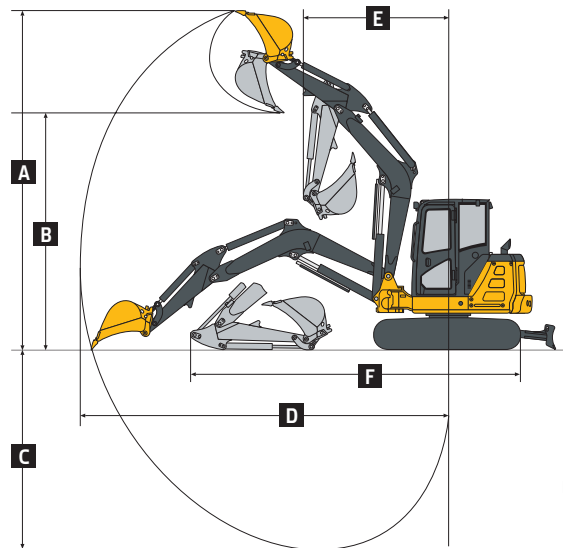
To maximize uptime and lower costs, JDLink™ connectivity provides machine location, utilization data, and alerts to help you maximize productivity and efficiency. JDLink also enables John Deere Connected Support™. Dealers use Expert Alerts based on data from thousands of connected machines to proactively address conditions that may otherwise likely lead to downtime. Your dealer can also monitor machine health and leverage remote diagnostics and programming capability to further diagnose problems and even update machine software without a time-consuming trip to the jobsite.\*

\*Availability varies by region. Options not available in every country.



# 60G COMPACT EXCAVATOR SPECIFICATIONS

<b>Engine</b>		<b>60G</b>	
Manufacturer and Model	Yanmar 4TNV98C-WHB	Displacement	3.32 L (203 cu. in.)
Non-Road Emission Standard	EPA Final Tier 4/EU Stage IV	Net Rated Power (ISO 9249)	39.6 kW (53 hp) at 2,000 rpm
<b>Powertrain</b>			
2-speed propel with automatic shift; each track independently driven by hydrostatic axial-piston motor connected to 2-stage planetary gear-reduction box			
<b>Maximum Travel Speed</b>	Slow: 2.9 km/h (1.8 mph) / Fast: 4.8 km/h (3.0 mph)		
<b>Hydraulics</b>			
Open-center, pilot-operated			
<b>Main Pumps</b>	1 variable-displacement pump	<b>Controls</b>	2 hydraulic pilot-operated controls for boom, arm, bucket, swing, boom swing, travel, and auxiliary functions
Maximum Rated Flow	144 L/m (38.0 gpm)		
Auxiliary Maximum Rated Flow	91.5 L/m (24.2 gpm)		
<b>Electrical</b>			
Alternator Rating	55 amp		
Work Lights	2 halogen: 1 mounted on operator's station and 1 mounted on boom		
<b>Undercarriage</b>			
Track Shoe Width, Standard Configuration	400 mm (16 in.)		
<b>Ground Pressure</b>	1500-mm (4 ft. 11 in.) Standard Arm		1850-mm (6 ft. 1 in.) Long Arm (add counterweight)
	With Canopy	With Cab	With Canopy
With 400-mm (16 in.) Rubber Track	34 kPa (4.9 psi)	35 kPa (5.1 psi)	36 kPa (5.2 psi)
			With Cab
			36 kPa (5.2 psi)
<b>Upperstructure</b>			
Swing Speed, Right/Left	9.5 rpm		
<b>Maximum Boom Swing Angle</b>			
Left	80 deg.		
Right	60 deg.		
Swing Brake	Spring applied, hydraulically released, automatic, disc type		
<b>Serviceability</b>			
<b>Refill Capacities</b>		<b>Refill Capacities (continued)</b>	
Fuel Tank	120 L (31.7 gal.)	Engine Oil With Filter	11.2 L (3 gal.)
Engine Coolant	7.7 L (2 gal.)	Hydraulic Tank	80 L (21.1 gal.)
<b>Operating Weights</b>			
	1500-mm (4 ft. 11 in.) Standard Arm and 400-mm (12 in.) Track		1850-mm (6 ft. 1 in.) Long Arm and 400-mm (12 in.) Track
	With Canopy	With Canopy	With Cab
	Rubber	Steel	Rubber
	Steel	Rubber	Steel
With 745-kg (1,642 lb.) Counterweight; 762-mm (30 in.), 204-kg (450 lb.) Bucket; Full Fuel Tank; and 75-kg (165 lb.) Operator	6010 kg (13,250 lb.)	6110 kg (13,470 lb.)	6180 kg (13,620 lb.)
			6280 kg (13,850 lb.)
			6040 kg (13,320 lb.)
			6140 kg (13,540 lb.)
			6210 kg (13,690 lb.)
			6310 kg (13,910 lb.)
Angle Blade	458 kg (1,010 lb.)		458 kg (1,010 lb.)
Counterweight			458 kg (1,010 lb.)
Standard (including hardware)	745 kg (1,642 lb.)		745 kg (1,642 lb.)
Additional	270 kg (595 lb.)		270 kg (595 lb.)
<b>Operating Dimensions</b>			
	1500-mm (4 ft. 11 in.) Standard Arm		1850-mm (6 ft. 1 in.) Long Arm
<b>A</b> Maximum Cutting Height	5.96 m (19 ft. 7 in.)		6.19 m (20 ft. 4 in.)
<b>B</b> Maximum Dumping Height	4.17 m (13 ft. 8 in.)		4.41 m (14 ft. 6 in.)
<b>C</b> Maximum Digging Depth	3.77 m (12 ft. 4 in.)		4.12 m (13 ft. 6 in.)
<b>D</b> Maximum Digging Reach	6.23 m (20 ft. 5 in.)		6.56 m (21 ft. 6 in.)
<b>E</b> Minimum Boom Swing Radius	2.45 m (8 ft. 0 in.)		2.54 m (8 ft. 4 in.) with additional counterweight
<b>F</b> Transport Length	5.76 m (18 ft. 11 in.)		5.79 m (19 ft. 0 in.)
Digging Force (ISO), HCM Bucket (788.1-mm [31 in.] tip radius)			
Arm	31.1 kN (6,990 lb.)		27.0 kN (6,060 lb.)
Bucket	41.1 kN (9,240 lb.)		41.1 kN (9,240 lb.)



While general information, pictures, and descriptions are provided, some illustrations and text may include product options and accessories NOT AVAILABLE in all regions, and in some countries products and accessories may require modifications or additions to ensure compliance with the local regulations of those countries.

Machine Dimensions (see line art at bottom right of page 6)		60G			
G	Upperstructure Width	1.93 m (6 ft. 4 in.)	N	Maximum Blade Lift Above Ground	450 mm (18 in.)
H	Overall Height (canopy or cab)	2.54 m (8 ft. 4 in.)	O	Maximum Blade Drop Below Ground	390 mm (15 in.)
I	Track Width	400 mm (16 in.)		Blade	
J	Undercarriage Width	2.00 m (6 ft. 7 in.)		Width	2.00 m (6 ft. 7 in.)
K	Ground Clearance	325 mm (13 in.)		Height	420 mm (17 in.)
L	Tail Swing Radius		P	Sprocket Center to Idler Center	1.99 m (6 ft. 6 in.)
	With Standard Counterweight	1.30 m (4 ft. 3 in.)	Q	Undercarriage Length	2.50 m (8 ft. 2 in.)
	With Additional Counterweight	1.41 m (4 ft. 8 in.)	R	Counterweight Clearance	620 mm (24 in.)
M	Engine Cover Height	1.60 m (5 ft. 3 in.)			

### Lift Capacities

**Boldface type** indicates hydraulically limited capacity; lightface type indicates stability-limited capacities, in kg (lb.). All lift capacities are based on ISO 10567 (with power boost). Lifting measurement from center of arm to bucket pin; with 400-mm (16 in.) track shoe and blade on ground; and situated on firm, level, uniform supporting surface. Total load includes weight of cables, hook, etc. Figures do not exceed 87 percent of hydraulic capacities or 75 percent of weight needed to tip machine.

	Rubber Track and Standard Counterweight		Steel Track and Standard Counterweight		Rubber Track and Extra Counterweight		Steel Track and Extra Counterweight	
	Over Front	Over Side	Over Front	Over Side	Over Front	Over Side	Over Front	Over Side
<b>Ground Level at 3.0-m (9 ft. 10 in.) Radius</b>								
1500-mm (4 ft. 11 in.) Standard Arm and Cab	<b>3880 kg</b> ( <b>8,550 lb.</b> )	1500 kg (3,310 lb.)	<b>3880 kg</b> ( <b>8,550 lb.</b> )	1520 kg (3,350 lb.)	<b>3880 kg</b> ( <b>8,550 lb.</b> )	1690 kg (3,730 lb.)	<b>3880 kg</b> ( <b>8,550 lb.</b> )	1720 kg (3,790 lb.)
1850-mm (6 ft. 1 in.) Long Arm and Cab	<b>3810 kg</b> ( <b>8,400 lb.</b> )	1480 kg (3,260 lb.)	<b>3810 kg</b> ( <b>8,400 lb.</b> )	1500 kg (3,310 lb.)	<b>3810 kg</b> ( <b>8,400 lb.</b> )	1680 kg (3,700 lb.)	<b>3810 kg</b> ( <b>8,400 lb.</b> )	1700 kg (3,750 lb.)
1500-mm (4 ft. 11 in.) Standard Arm and Canopy	<b>3880 kg</b> ( <b>8,550 lb.</b> )	1420 kg (3,130 lb.)	<b>3880 kg</b> ( <b>8,550 lb.</b> )	1420 kg (3,130 lb.)	<b>3880 kg</b> ( <b>8,550 lb.</b> )	1620 kg (3,570 lb.)	<b>3880 kg</b> ( <b>8,550 lb.</b> )	1620 kg (3,570 lb.)
1850-mm (6 ft. 1 in.) Long Arm and Canopy	<b>3820 kg</b> ( <b>8,420 lb.</b> )	1400 kg (3,090 lb.)	<b>3820 kg</b> ( <b>8,420 lb.</b> )	1400 kg (3,090 lb.)	<b>3820 kg</b> ( <b>8,420 lb.</b> )	1600 kg (3,530 lb.)	<b>3820 kg</b> ( <b>8,420 lb.</b> )	1610 kg (3,550 lb.)

# Additional equipment

Key: ● Standard ▲ Optional or special

See your John Deere dealer for further information.

### 60G Engine

- Meets EPA Final Tier 4/EU Stage IV emissions
- Auto shutdown
- Engine coolant to -37 deg. C (-34 deg. F)
- Engine preheater
- Fan guard
- Fuel/water separator
- Full-flow oil filter
- Isolation mounted
- Key start switch with electric fuel shutoff
- Single dry-type air filter

### Hydraulic System

- Auto-idle
- Auxiliary function right-hand pilot-lever control
- Auxiliary hydraulic lines with quick-couplers to end of boom
- Auxiliary return-flow selector valve
- Axial-piston swing motor
- Boom-swing foot control
- Excavator-to-backhoe control pattern change valve
- Closed center load sensing with 1 variable-displacement pump
- Hydraulic pilot-operated controls for boom, arm, bucket, swing, boom swing, blade, travel, and auxiliary functions
- Wet-disc swing brake

### Undercarriage

- Planetary final drive
- Propel motor shield
- 2-speed axial-piston propel motors

### 60G Undercarriage (continued)

- Rubber track, 400 mm (16 in.)
- ▲ Steel track, 400 mm (16 in.) with triple semi-grousers
- ▲ Rubber crawler pad, 400 mm (16 in.)

### Upperstructure

- 360-deg. rotation
- Counterweight, 745 kg (1,642 lb.)
- Hinged service-access doors
- Toolbox
- ▲ ROPS/TOPS/FOPS (canopy)
- ROPS/TOPS/FOPS (cab) with air conditioning and heater

- Vandal protection for service doors, fuel cap, and toolbox
- Reduced-tail-swing configuration

### Front Attachments

- Arm, 1500 mm (4 ft. 11 in.)
- ▲ Long arm, 1850 mm (6 ft. 1 in.), includes additional 270-kg (595 lb.) counterweight
- Articulation hose shield
- Backfill blade, 2.00 m (6 ft. 7 in.)
- ▲ Hydraulic angle backfill blade
- Boom, 2.965 m (9 ft. 9 in.)
- Mechanical quick-coupler
- ▲ Augers: Planetary / Chain drive / Bits / Bit adapters
- ▲ Clamp
- ▲ Hammers: Points / Tools
- ▲ Quick-coupler buckets: Bucket teeth / Ditching / Heavy-duty

### 60G Operator's Station

- Horn
- Hour meter
- Instrumentation lights
- Mode selectors (illuminated): Power mode (I) / Economy mode (I)
- Monitor system: Preheat indicator / Engine oil pressure indicator with alarm / Alternator voltage indicator / Fuel gauge and low-fuel-level indicator / Engine coolant temperature gauge and engine coolant temperature indicator with alarm / Hour meter / Work lights indicator
- Motion alarm with cancel switch
- Work lights switch
- Propel levers and foldable pedals
- 2 travel speeds with automatic shifting
- Seat belt, 51 mm (2 in.), retractable
- ▲ Seat belt, 76 mm (3 in.), retractable
- ▲ Vinyl seat with fore/aft adjustment
- Suspension seat (cloth)
- ▲ Front screen
- ▲ Rear secondary exit kit

### Electrical

- 12-volt accessory outlet
- Alternator, 55 amp
- Low-maintenance battery
- Blade-type multi-fused circuits
- Positive-terminal battery covers

### Lights

- Work lights: Halogen / 1 mounted on operator's station / 1 mounted on boom

While general information, pictures, and descriptions are provided, some illustrations and text may include product options and accessories NOT AVAILABLE in all regions, and in some countries products and accessories may require modifications or additions to ensure compliance with the local regulations of those countries.

Net engine power is with standard equipment including air cleaner, exhaust system, alternator, and cooling fan at test conditions per ISO 9249.

These machines are not equipped with spark-arrestor mufflers. Usage in forestry applications is not recommended. Specifications and design subject to change without notice. Wherever applicable, specifications are in accordance with SAE standards. Except where otherwise noted, these specifications are based on a cab unit with standard arm, 0.19-m<sup>3</sup> (6.8 cu. ft.) bucket, 400-mm (16 in.) rubber track, 745-kg (1,642 lb.) counterweight, full fuel tank, and 79-kg (175 lb.) operator.



  
DKAXG60 (22-10)

 **JOHN DEERE**