

COMPACT TRACK LOADER

takeuchiTM
From World First to World Leader

TL6R



Operating Weight: 3,395 kg

Product Features & Specifications

ENGINE

- EU Stage V / EPA Tier 4 Emission Compliant
- Turbocharged
- DOC+DPF Exhaust After Treatment
- Active Power Control Power Management System
- ECO Mode
- Foot Throttle Control
- Automatic Fuel Bleed System
- High Capacity Radiator and Hydraulic Oil Cooler Mounted Side-by-Side on Swing Out Frame
- Double Element, Air Cleaner

ELECTRICAL

- 5.7" Color Multi-Informational Display
- Rear Camera (optional)
- Sealed Rocker Switches
- 12 volt System with 60 amp Alternator
- LED Work Lights, Front and Rear
- Engine Preheat
- Hour Meter
- Back-up Alarm
- Horn
- TFM (Takeuchi Fleet Management; GPS)*

UNDERCARRIAGE AND FRAME

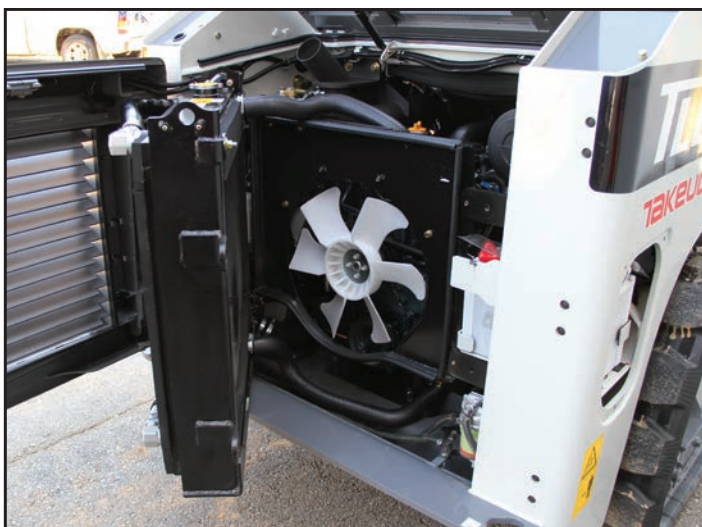
- Double Reduction Planetary Track Drives
- Permanently Sealed Track Rollers with Metal Face Seals
- Fully Welded Frame with Integrated Cross Members
- Front and Rear Tie-Down and Lift Points
- Integrated Rear Bumper
- Two-Speed Travel with Auto Shift Down
- 320 mm Quiet Ride Track Design

OPERATOR'S STATION

- Tilt-up Operator's Station
- Deluxe Adjustable Suspension Seat
- Rear Pivoting Seat Bar with Integrated Arm Rest
- ROPS / FOPS Level I
- Retractable 2" Seat Belt
- 3 Point Seat Belt (optional)
- Pressurized Cab with Swing Out Door, A/C, Heat, Defrost and Front Wiper, AM/FM/MP3 Radio (Cab Only)
- Rear Wiper (Cab Standard Equipment in Europe Only)

HYDRAULIC & WORKING EQUIPMENT

- High Lift Radial Arm Design
- Cushioned Arm Cylinders
- Boom Float with Detent
- Hydraulic Pilot Controls
- Proportional Auxiliary Controls with Detent
- Pressure Relieving 1/2" Flat Faced Coupler Body
- 14-Pin Connector with Push Button Control (optional)
- Hydraulic Self Leveling
- Mechanical Quick Hitch
- Hydraulic Quick Hitch (optional)



Convenient Service and Maintenance Access



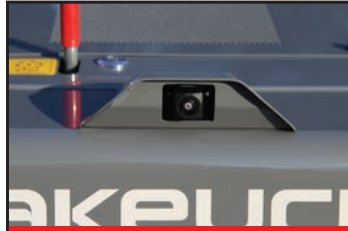
Integrated Undercarriage

*Functions may not be available in all countries, so please consult your Takeuchi dealer for details.

TOUGH, POWERFUL, RELIABLE



Fully Welded Frame



Optional Rear View Camera



Active Power Control



Cab with Swing Out Door

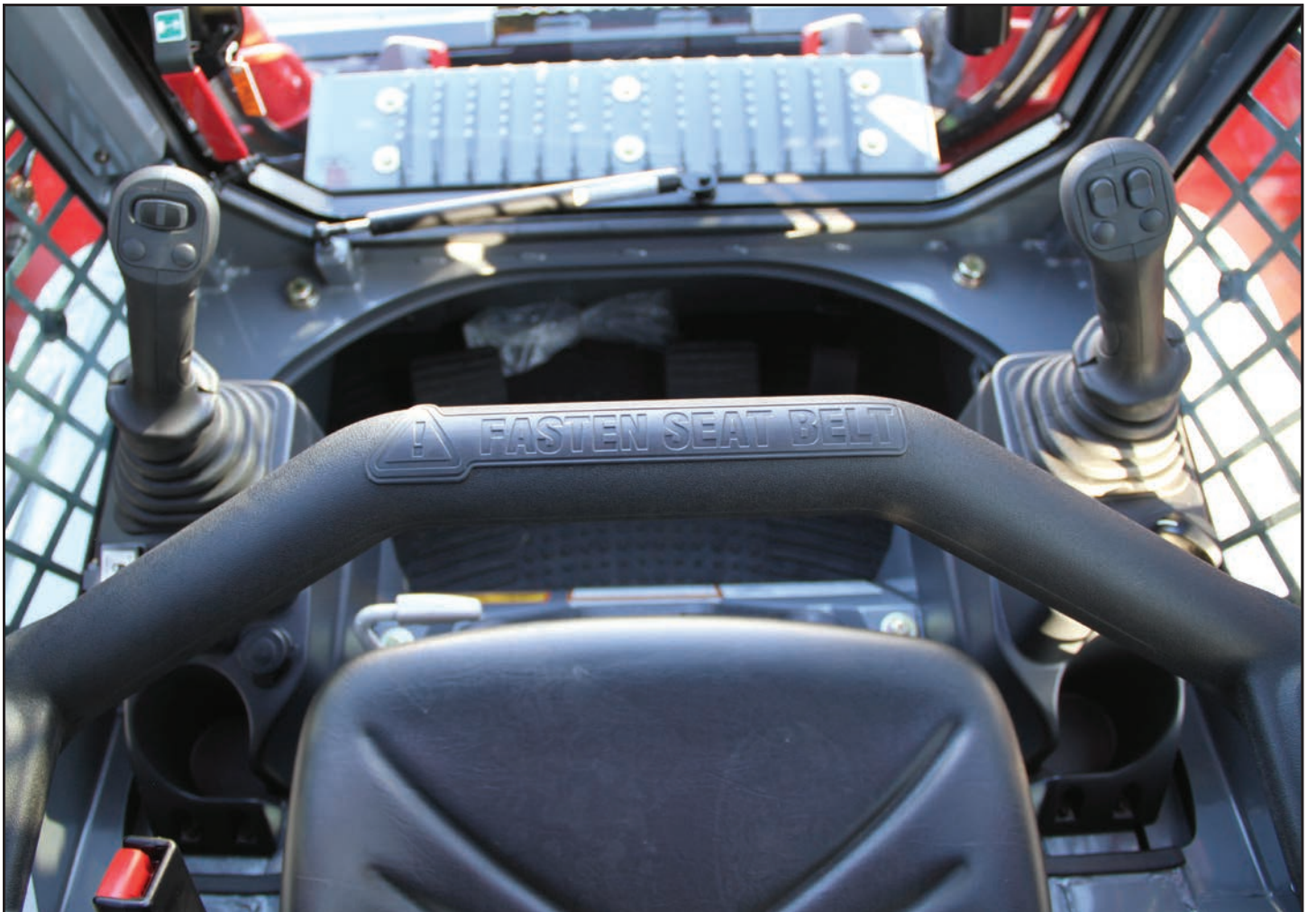
The TL6R provides an excellent blend of power and performance featuring a emission compliant engine. It has a bucket breakout force of 26.4 kN and traction force of over 38.5 kN giving it plenty of power to excavate, grade, and maneuver on the job site.

With a height of 1,975 mm and a width of 1,530 mm the dimensions of the TL6R allow it to excel on job sites with height and width restrictions.

The interior of the machine has rocker switches and color multi-informational display laid out intuitively overhead within easy reach of the operator.

Pilot controls deliver unmatched precision and control, and they are low effort to minimize operator fatigue. Active Power Control allows the operator to maintain optimum engine speed for maximum power when under load. An optional rear view camera and wide angle rear view mirror provide the operator with greater peace of mind during operation.

With a heavy duty swing out door and tilt up cab the TL6R provides outstanding serviceability. Access to oil fill, air cleaner, and water separator are accessible from the rear of the machine. Battery access is available through a bolt-on panel located on the right tower.



Spacious operator's platform with easy to reach controls and switches.

OPERATING PERFORMANCE

| | |
|--|-----------|
| Operating Weight - Canopy | 3,395 kg |
| Cab | 3,530 kg |
| Tipping Load | 2,390 kg |
| Rated Operating Capacity, (ISO 14397-1)* | 835 kg |
| Operating Load at 50% of Tipping Load | 1,195 kg |
| Bucket Breakout Force | 26.4 kN |
| Lift Arm Breakout Force | 21.6 kN |
| Traction Force | 38.5 kN |
| Ground Pressure - Canopy | 33.5 kPa |
| Ground Pressure - Cab | 34.8 kPa |
| Travel speed - Low | 7.0 km/h |
| High | 10.0 km/h |

*Operating capacity of track loaders is rated according to ISO 14397-1 at no more than 35% of the tipping load.

HYDRAULIC SYSTEM

| | |
|----------------------------------|------------|
| Auxiliary Flow - Primary Circuit | 67.0 L/min |
| Hydraulic System Pressure | 20.6 MPa |

ENGINE

| | |
|--------------------------|------------------------|
| Make / Model | Kubota / V2403 |
| Engine Displacement | 2,434 ml |
| Rated Output (ISO 14396) | 47.9 kW / 2,700 min-1 |
| Maximum Torque | 195.6 Nm / 1,600 min-1 |

FLUID CAPACITIES

| | |
|------------------------------|--------|
| Engine Lubrication | 7.6 L |
| Cooling System | 13.0 L |
| Fuel Tank Capacity | 75.7 L |
| Hydraulic Reservoir Capacity | 30.0 L |
| Hydraulic System Capacity | 51.0 L |

SAFETY AND HEALTH

| | |
|-------------------|--------------------------|
| Vibration Levels | |
| Hand / Arm | $\leq 2.5 \text{ m/s}^2$ |
| Body | $\leq 0.5 \text{ m/s}^2$ |
| Noise Level | |
| Sound Power Level | LWA 103 dB |



Multi-Informational Display



Hydraulic Joystick Controls

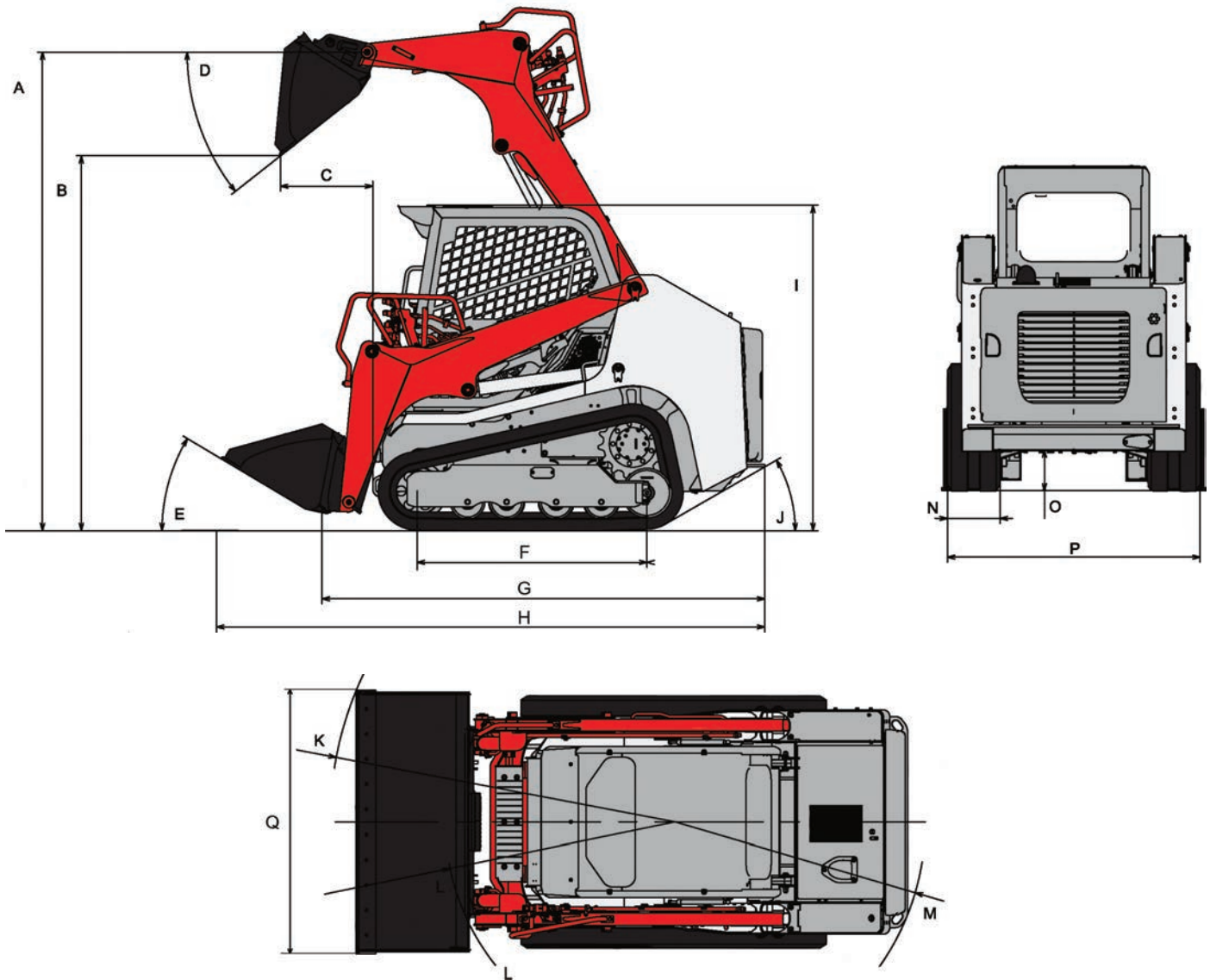


Switch Bank



Large Rear View Mirror

TL6R Compact Track Loader



MACHINE DIMENSIONS

| | | |
|---|-----------------------------------|----------|
| A | Maximum Lift Height to Bucket Pin | 2,905 mm |
| B | Dump Height Fully Raised | 2,275 mm |
| C | Dump Reach Fully Raised | 560 mm |
| D | Dump Angle | 40° |
| E | Rollback Angle | 30° |
| F | Track Base | 1,395 mm |
| G | Machine Length | 2,690 mm |
| H | Transport Length | 3,330 mm |
| I | Transport Height | 1,975 mm |
| J | Departure Angle | 30° |
| K | Clearance Circle with Bucket | 2,095 mm |
| L | Clearance Circle without Bucket | 1,395 mm |
| M | Clearance Circle Rear | 1,520 mm |
| N | Track Width | 320 mm |
| O | Ground Clearance | 230 mm |
| P | Overall Width without Bucket | 1,530 mm |
| Q | Bucket Width | 1,600 mm |



© 2019 Takeuchi MFG. Co., Ltd. All Rights Reserved. In accordance with our established policy of continued improvement, specifications and features are subject to change without notice. Pictures may show options other than standard equipment.

FORM: TL6R Compact Track Loader Spec Sheet - Apr. 2019

TakeuchiTM
From World First to World Leader