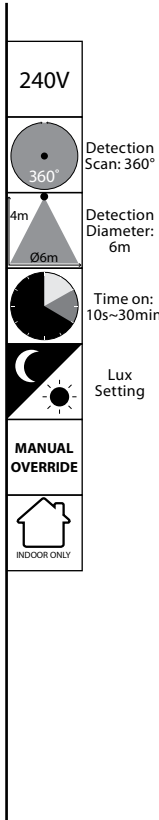
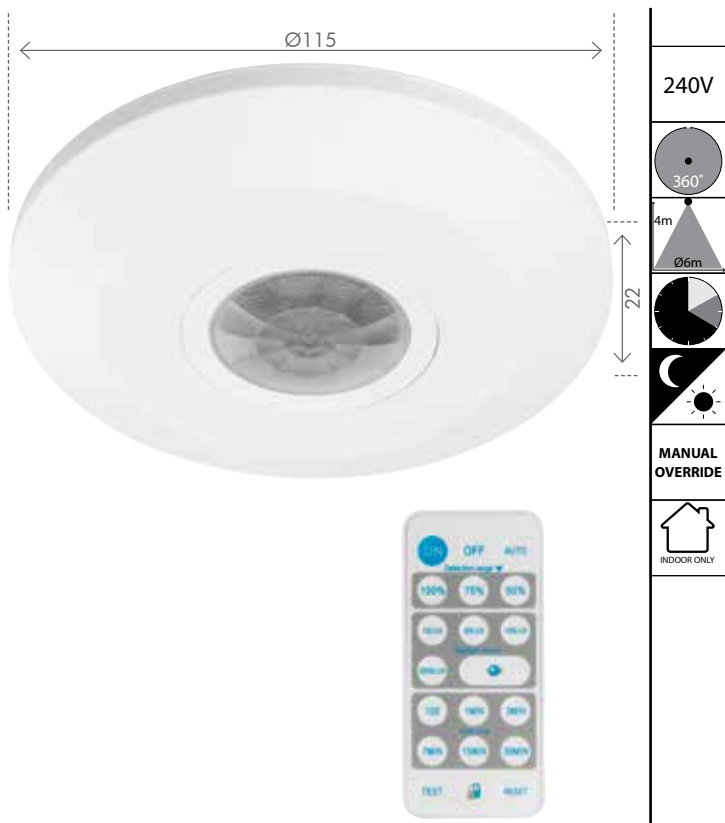




TECHNO-SCAN

360° SURFACE MOUNT PIR SECURITY SENSOR WITH REMOTE



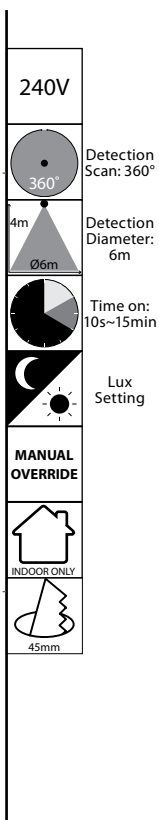
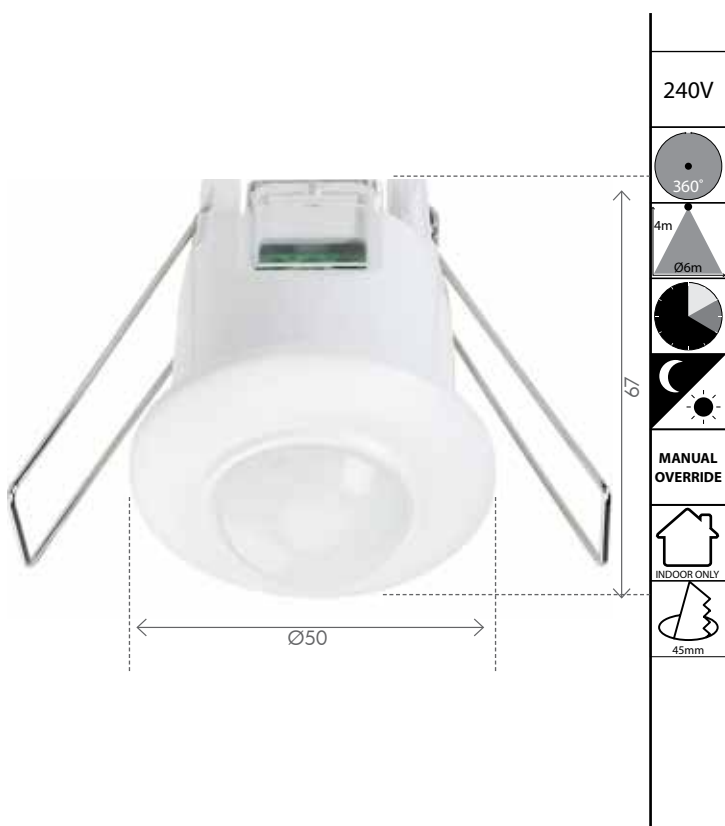
Passive Infra-red technology.
 Multi-segmented lens for better detection.
 Easy control via remote
 Reliable 4-wire design.
 Adjustable time, lux level and detection range.
 Remote control included.
 Indoor use only.
 Resets to AUTO mode after 8 hours
 Ceiling flush mount
 Installation height : 2.2 - 4m (max)
 Lux control level : 3-2000LUX (adjustable)
 Max Load : 2000W Incandescent Lamp
 1000W Fluorescent Lamp
 500W LED Lamp
 2 Year Warranty.

Product	Code	Colours
Sensor	20049/..	05 WHITE



EYE 360° MINI

RECESSED PIR SECURITY SENSOR



Passive Infra-red technology.
 Multi-segmented lens for better detection.
 Reliable 3-wire design.
 Adjustable time and lux level.
 Manual override
 Ceiling recessed mount
 Indoor use only.
 Resets to AUTO mode after 8 hours
 Lux control level : 3-2000LUX (adjustable)
 Max Load : 800W Incandescent Lamp
 400W Fluorescent Lamp
 200W LED Lamp
 2 Year Warranty.

Product	Code	Colours
Sensor	20048/..	05 WHITE