



ECOFLOW EXHAUST FAN

Up to 85%
less energy
consumption*



240V AC	3.7W MOTOR	180 m ³ /hr AIRFLOW	 ø235	4.2W MOTOR	200 m ³ /hr AIRFLOW	 ø290	1YR WARRANTY
21358				21357			

EcoFlow round ceiling exhaust fan combines a low wattage energy efficient motor and a superior blade angle for optimal air & steam extraction.

- Compact, low profile design
- Can be DIY installed, fitted with an Australian approved plug and lead.
- Powerful low wattage motor that consumes up to 85% less energy*
- High performance long life motor
- Extracts up to 200m³/hr to remove moisture and steam
- Removable fascia for easy cleaning
- Includes 900mm cord and 2-pin plug

APPLICATIONS

- For bathrooms, laundry, kitchen to other spaces that require ventilation to the outside.
- For small to medium sized rooms.



*Based on a 30W motor comparison



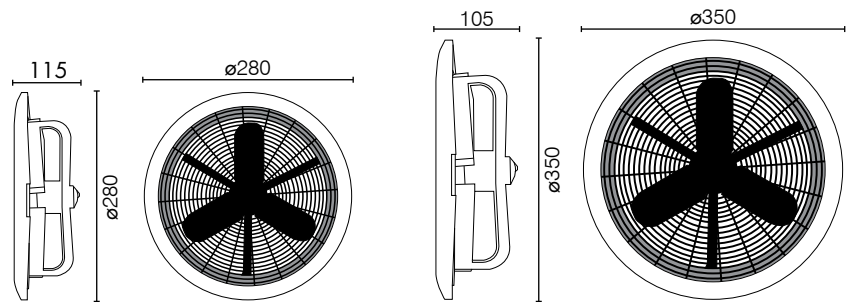
ECOFLOW EXHAUST FAN

TECHNICAL SPECIFICATIONS

Operating Voltage:	240V / 50Hz
Class:	Class II (2)
Motor Wattage:	21358: 3.7W 21357: 4.2W
Fan Size:	21358: ø200mm 21357: ø250mm
Air Extraction:	21358: up to 180m ³ /hr (50/sec) 21357: up to 200m ³ /hr (55/sec)
Cutout:	21358: ø235mm 21357: ø290mm
Plug and Cord:	2-Pin, 900mm length
Recommended ,minimum installation depth to roof:	250mm
Warranty	1 year replacement
Standards:	AS/NZS 60335.2.80 AS/NZS 60335.1

INSTALLATION

Recommended to be installed by licensed electrician



	MODEL	COLOUR	DESCRIPTION	BOX SIZE	GROSS WEIGHT	BOX QTY	BARCODE/TUN
RETAIL BOX	21357/05	White	EcoFlow 250 Exhaust Fan	W353 x H358 x D105 mm	1.10 kg	1 pc	9 312641 213574 >
OUTER BOX	21357/05	White	EcoFlow 250 Exhaust Fan	W460 x H375 x D370 mm	4.40 kg	4 pc	19312641213571
RETAIL BOX	21358/06	White	EcoFlow 200 Exhaust Fan	W282 x H185 x D132 mm	0.85 kg	1 pc	9 312641 213581 >
OUTER BOX	21358/06	White	EcoFlow 200 Exhaust Fan	W545 x H295 x D305 mm	3.40 kg	4 pc	19312641213588