



# INSTALLATION MANUAL

**THIS CEILING FAN MUST BE INSTALLED BY A QUALIFIED ELECTRICIAN, AND AN ELECTRICAL SAFETY CERTIFICATE MUST BE ISSUED ON COMPLETION OF THE INSTALLATION**

Congratulations on the purchase of your new quality Brilliant Ceiling Fan. Before first using, it is most important that you read and follow the instructions in this Installation Manual, even if you feel you are quite familiar with this type of product.

Find a place and keep this manual handy for future reference.

Model Name: LAGUNA ABS AC Ceiling Fan with No Light		
Code	Colour	Size
21374/05	Matt White	48" (1220mm)
21376/05	Matt White	52" (1320mm)
21374/06	Matt Black	48" (1220mm)
21376/06	Matt Black	52" (1320mm)



21374/05 (48")

21376/05 (52")



21374/06 (48")

21376/06 (52")

# IMPORTANT SAFEGUARDS

---

Read all instructions carefully, even if you feel you are quite familiar with this type of appliance.

When using electrical appliances, in order to reduce the risk of fire, electric shock, and/or injury, these basic safety precautions should always be followed:

1. This appliance **MUST** be installed by a Qualified Electrical Contractor in accordance with the local regulations, and all local, state and national electrical codes. Any alterations or additions to building wiring must be completed by a licensed electrical contractor, or person authorised by legislation to work on the fixed wiring of any electrical installation.
2. The ceiling fan must be connected to a 230/240V AC 50Hz power supply.
3. All electrical work must only be undertaken after disconnection of the power by removing fuses or turning off the circuit breaker, to ensure all pole isolation of the electrical supply.
4. The fan must be earthed.
5. The fan must be installed so that the blades are more than 2.1 metres above the floor.
6. The structure that the ceiling fan is connected to must be capable of supporting a weight of at least 45kg. The fixing must be able to support the moving weight of the fan and must not twist or work loose.
7. Make sure that the installation site will not allow the rotating fan blades to come into contact with any object and that there is a minimum clearance of 150mm (6") from the blade tip to the wall or ceiling. Please note that the bigger this clearance is the better the airflow from your fan will be.
8. **DO NOT** use outdoors unless covered. Refer to Warranty terms for Alfresco use.
9. **DO NOT** connect the fan motor to a dimmer switch. This may damage the motor. Use **ONLY** the provided wall controller.
10. This appliance is not intended for use by young children or infirm persons without supervision.
11. Young children should be supervised to ensure they **DO NOT** play with the appliance.
12. It is not recommended that ceiling fans and gas appliances be operated in the same room at the same time.
13. The fan must be turned off and stopped completely before reversing the fan direction. This will prevent any damage to the motor of the fan or controller (if installed).
14. Do not insert anything into the fan blades whilst they are spinning. This will damage the blades and upset the balance of the fan causing the unit to wobble.
15. After the fan is completely installed make sure that all base and fan blade fixations are secured and tightened to prevent any problems.
16. Because of the fan's natural movement, some connections may loosen. Check the support connections, brackets and blade attachments twice a year to make sure they remain secured. If any are loose, tighten.
17. **DO NOT** use a solid-state dimmer type fan controller. Use **ONLY** the provided switch controller for fan speed control.
18. An all-pole disconnection incorporated in the fixed wiring is to be provided, such as a n all-pole switch or a supply cord fitted with a plug.
19. If a remote control is installed, remove the wall controller.
20. Beware of height installation closure.

## IMPORTANT NOTE:

The important safeguards and instructions given in this manual are not meant to cover all possible conditions and situations that may occur. It must be understood that common sense, caution and care are factors which cannot be built into any product. The persons caring for and using the unit must supply these factors.

## SUGGESD TOOLS NEEDED



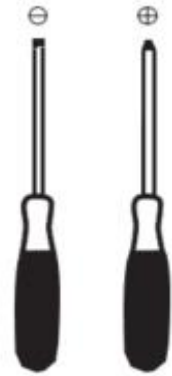
LADDER



WIRE STRIPPERS



SNUB NOSE  
PLIERS



SCREWDRIVERS



### WARNING

1. To avoid fire or electric shock, follow all wiring instructions carefully.
2. Turning off wall switch is not sufficient. To avoid possible electrical shock, be sure electricity is turn off at the main fuse box before wiring.
3. Do not install or use fan if any part is damaged or missing.
4. This product is only designed to use only those parts supplied with this product and/or any accessories designated specifically for use with this product by Brilliant Lighting. Substitutions of parts or accessories not designated for use with this product by Brilliant Lighting could result in personal injury or property damage.

# CONTENTS

---

## UNPACKING

- Preparation
- Choosing a suitable location
- Installation
  - Mounting the hanging bracket
  - Electrical connections
  - Attach blades
  - Attach canopy
  - Reverse switch

## MAINTENANCE

- Care & cleaning
- Noise
- Wobble
- Normal wear & tear
- Ripple control filter

## TROUBLESHOOTING

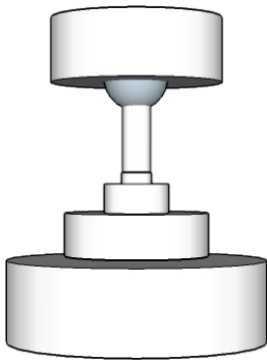
- Technical data

## WARRANTY

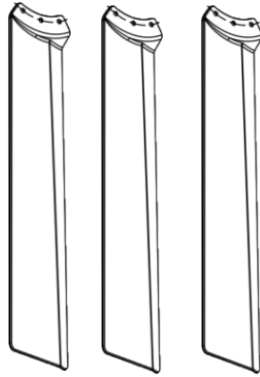
# UNPACKING

## PREPARATION:

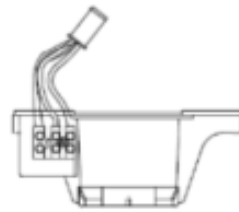
- Unpack your ceiling fan carefully, and dispose of the packaging materials thoughtfully. Place all parts and components, on a cloth or soft surface to avoid damage. DO NOT lay the motor housing on its side, the housing may get damaged.
- Before commencing installation, check that all parts are included. NB: You may need to remove all foam packaging material to ensure there are no missing components.



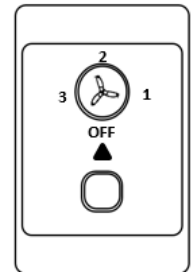
PRE-ASSEMBLED  
MOTOR BODY



BLADES (x3)



MOUNTING  
BRACKET



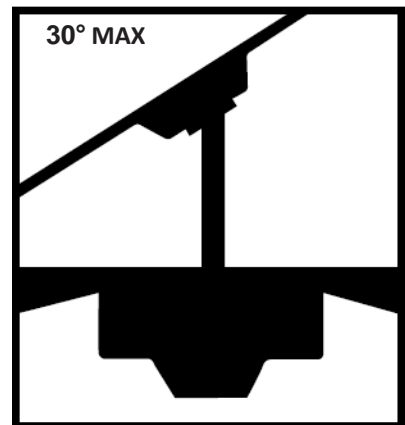
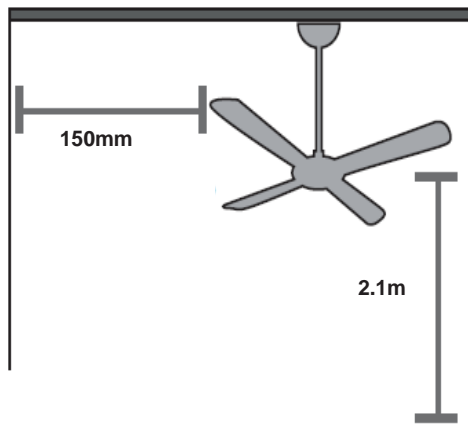
WALL  
CONTROLLER

## OTHER PARTS IN HARDWARE BAG:

1. Blade mounting screws x9.
2. Stainless steel washer and spring washer x9 respectively.
3. Bracket mounting screws x2.
4. Blades balance kits x1 set.

## CHOOSING A SUITABLE LOCATION:

- Ceiling fans should be installed in the middle of the room, with a safe distance of at least 2.1m from floor, and 150mm from wall.
- An extension rod may be required for rake ceiling installation more than 15°.



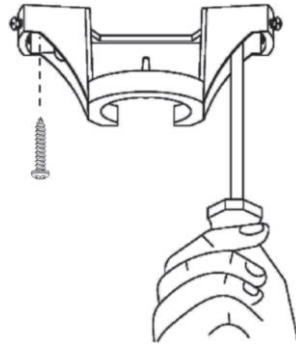
# INSTALLATION

**CAUTION:** Before installing the fan, make sure you have turned OFF the electricity supply.

## MOUNTING THE HANGING BRACKET

1. Secure the hanging bracket to the ceiling joist or suitable structure that is capable of carrying a load of at least 45kg, with the two long fixing screws provided. Ensure that at least 30mm of the screw is threaded into the support.

**NB:** The fixing screws included are designed for use when ceiling fan is secured onto timber joists. For all other surfaces, additional and suitable fixing screws for that surface will need to be purchased.

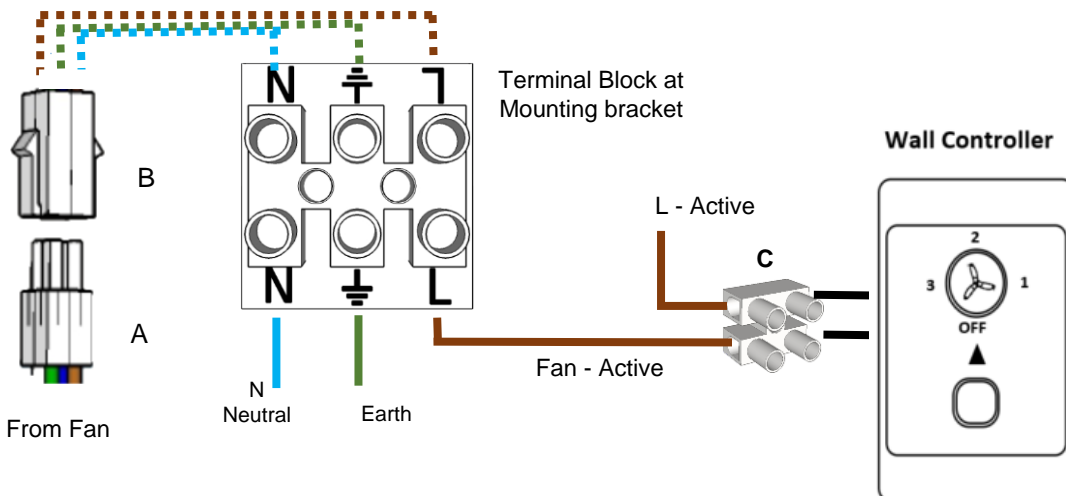


**NOTE:** Ensure building cable will enter the canopy close to terminal block .

2. Ensure that the position of installation will not allow the blades to come into contact with any object. The fan must be mounted so that the tips of the blades are **at least** 2.1 metres above the floor.

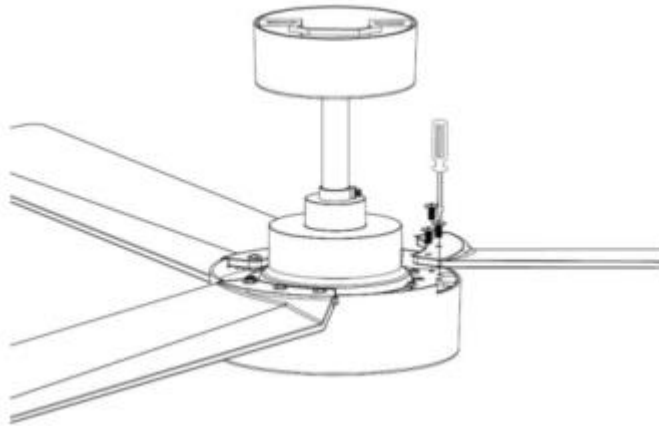
## ELECTRICAL CONNECTIONS

The building cable should enter the canopy about 10-15mm from the terminal block. Connect the mains supply L-Active cable to the terminal block C at wall controller as per marking on it. Ensure connections are firm. For your convenience, and to assist in easy installation, your ceiling fan is connected with Brilliant's easy connect system. Simply connect the male and female connectors (A to B), and then ensure all excess wiring is retained inside the ceiling canopy.



# INSTALLATION

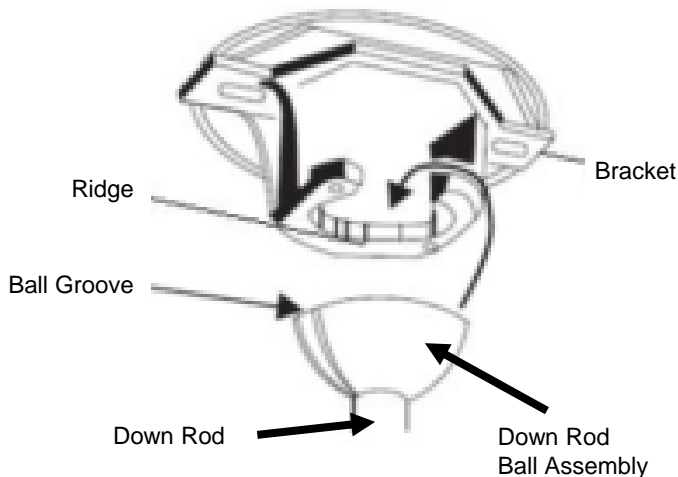
---



## ATTACH BLADE

1. To attach the blades on to the fan motor, locate the colour sticker next to the screw mounting holes. With 'THIS SIDE UP' marking on the blade and attach to the fan motor then securing it in place using the screws provided.
2. Repeat Step 1 to attached the rest of the blades and tighten firmly. **DO NOT OVER TIGHTEN** the screw, this will damage the blades, but ensure it is secure.

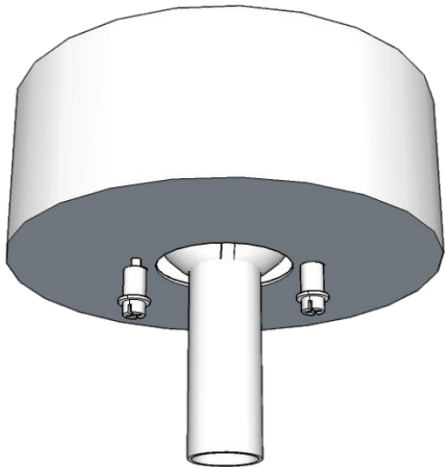
## HANGING THE FAN



1. Carefully lift the fan, and place the down rod ball assembly into the mounting plate ensuring that the ball correctly locks into place.
2. Refer to the following section detailing 'Electrical Connection' on page 6 for details on how to wire this product correctly.
3. After the fan has been wired to the power supply, carefully position all excess cable inside the boundaries of the hanging bracket.

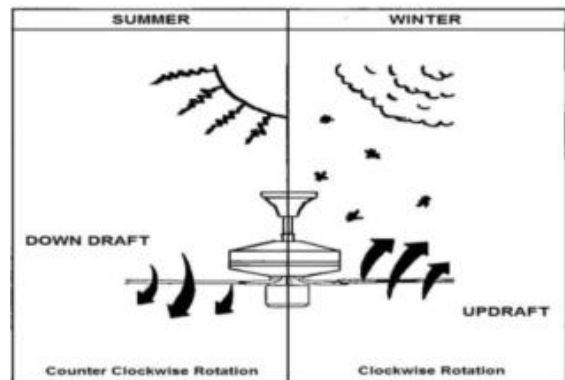
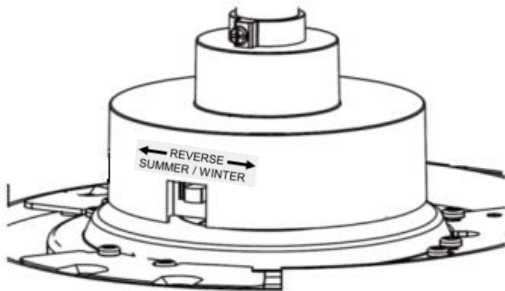
# INSTALLATION

## ATTACH CANOPY



Carefully slide the canopy up to cover the hanging bracket and ball joint, taking care not to damage any wires. Once in position, secure the canopy with the screws provided.

## REVERSE SWITCH



The 'Summer/Winter' switch should be in the left position to make the fan rotate in an anti-clockwise direction during summer. In winter, this switch should be reversed (move to RIGHT position) so that the blades now move in a clockwise direction.

## CORRECTING ANY WOBBLE EVIDENT

Please note that all ceiling fans are not the same, even in the same model some may move more or less than others. Movement of a couple of centimeters is quite OK and does not suggest the fan will fall down.

Even though all blades are weighted and grouped by weight, it is impossible to eliminate wobble altogether and should not be considered a problem. Ceiling fans tend to move slightly during operation because they are not generally rigidly mounted.

The following should be performed to reduce any evident wobble.

1. Check all the blade brackets are tightened securely.
2. Some fan movement is normal. However, interchanging an adjacent (side by side) blade pair may redistribute the weight and result in smoother operation.



# MAINTENANCE

---

## CARE & CLEANING

- Periodic cleaning of your ceiling fan is the only maintenance required.
- Use a soft brush or lint free cloth to avoid scratching the finish. Please turn off electricity when you do so.
- Do not use water when cleaning your ceiling fan. It could damage the motor and create the possibility of an electrical shock.
- The motor has a permanently lubricated ball bearing, and as such is maintenance free.

## NOISE

The manufacturer warranty covers actual faults that may develop, but NOT minor complaints, e.g. hearing slight noise from motor in operation - ALL ELECTRIC MOTORS ARE AUDIBLE TO SOME EXTENT, more so, when the fan is operating at low speeds.

## WOBBLE

- Ceiling fans are mounted very securely on steel brackets with rubber cushioning or with ball joints to allow free movement.
- Ceiling fans are designed to move during operation because they are not generally rigidly mounted - if they were, they could generate excessive ceiling vibration and stress on their mountings.
- Movement of a couple of centimetres is quite OK and does not suggest the fan will fall down.
- Please note that all ceiling fans are not the same, even in the same model - some may move more or less than others.

## NORMAL WEAR AND TEAR:

Threaded components working slightly loose or blade carriers even slightly bent due to vigorous cleaning or bumping can cause extra wobble and noise. THIS IS NOT COVERED UNDER WARRANTY but a little care and maintenance can reduce or prevent this problem.

# TROUBLESHOOTING

TROUBLE	PROBABLE CAUSE	SUGGESTED REMEDY
<b>Fan/Light will not start</b>	<b>A</b> Fuse or circuit breaker has blown.	<b>A</b> Check main and branch circuit breakers
	<b>B</b> Loose wire connections to the fan.	<b>B</b> Check line wire connections to the fan.
	<b>C</b> Speed controller not in the correct position.	<b>C</b> Check speed controller's position.
<b>Fan wobbles</b>	<b>A</b> Fan blades are not horizontal to the ceiling.	<b>A</b> Re-tighten all screws on blades. <b>Do not</b> make any adjustments by applying pressure up or down on blades.
	<b>B</b> Blade screws are loose.	<b>B</b> Make sure all screws are tightened.
<b>Fan sounds noisy</b>	<b>A</b> Loose fan blades.	<b>A</b> Retighten all screws on fan.
	<b>B</b> Ceiling fan not secured against ceiling.	<b>B</b> Retighten all screws in the hanging bracket.
	<b>C</b> Incorrect speed controller.	<b>C</b> Change speed controller to the one supplied with the unit.
<b>Mechanical noise</b>	<b>A</b> Fan has not settled in fully.	<b>A</b> Allow at least 8 hours settling in period.

## TECHNICAL DATA

MODEL NUMBER	SIZE	RATED VOLTAGE	RATED POWER FOR MOTOR
21374	48 INCH	240VAC	65W
21376	52 INCH	240VAC	65W

## ACCESSORIES (SOLD SEPARATELY)

Extension Rods with loom kit	Remote Kit
100550/05 (White), 100550/06 (Black)	99999 / 99111 / 99222

# WARRANTY

**Please note, this warranty voids any other warranties supplied with this product and complies with the new consumer guarantee requirements.**

The benefits conferred by this warranty are in addition to all implied warranties, other rights and remedies in respect of the product, which the consumer has under Australian Consumer Law.

The original purchaser of this Brilliant Ceiling Fan is provided with the following warranty subject to the Brilliant Warranty terms and conditions as found on the Brilliant website and the following conditions.

Brilliant Lighting (Aust) Pty Ltd warrants this ceiling fan motor for a period of 6 years from the date of purchase, the first 3 years are covered by an In-home warranty. All parts deemed defective in workmanship or materials will be replaced free of charge. Remote controllers, Wall controllers and Light fittings are subject to Limited warranty status.

PARTS	TOTAL WARRANTY PERIOD	IN-HOME SERVICE PERIOD
Ceiling Fan Motor	6 YEARS	3 YEARS
Wall Controller	2 YEARS	2 YEARS
Remote Controller Set	2 YEARS	2 YEARS
Light Fittings	2 YEARS	2 YEARS

*\*Consumable items such as Batteries and Light Globes will not be covered by this warranty.*

This warranty is in addition to any other rights and remedies of the customer under any law. In applications not intended for household, personal or domestic use, liability is limited to replacement or reimbursement of product only.

The warranted use of fans outdoors are limited to Enclosed Alfresco like areas where conditions are similar to indoor installations.

The warranty conditions for fans installed in Enclosed Alfresco areas are as follows:

- \* *Fan must be shielded from wind and rain (enclosed area, min. 1.5m from edge of eave/roof).*
- \* *The warranty will cover open circuit motor faults, and remote control faults if not related to outdoor exposure.*
- \* *The Warranty will not cover outdoor related issues such as rusting, or failure clearly caused by water, moisture or wind.*
- \* *The Warranty will not cover external appearance or finish of any part of the ceiling fan.*
- \* *The Warranty will not cover wooden blades. These are recommended only to be used indoors.*

The warranty does not cover Ripple Control noise/interference (identified by a periodic or intermittent hum). This must be addressed with your energy service provider.

The warranty does not cover noises or faults due to poor installation or failure to balance fans as per instructions.

*Our goods come with guarantees that cannot be excluded under the Australian Consumer Law. You are entitled to a replacement or refund for a major failure and compensation for any other reasonably foreseeable loss or damage. You are also entitled to have the goods repaired or replaced if goods fail to be of acceptable quality and the failure does not amount to a major failure.*

Any claim under this warranty must be made within the warranty period of the date of purchase of the product. To make a warranty claim please refer to the Warranty Claim Form on the Brilliant

Website: [www.brilliantlighting.com.au](http://www.brilliantlighting.com.au)

This warranty is given by:

**Brilliant Lighting (Aust) Pty. Ltd.**

**ABN 37 006 203 694**

**956 Stud Road Rowville, VIC 3178**

**Phone: 03 9765 2555**

**Email: [warranty@brilliantlighting.com.au](mailto:warranty@brilliantlighting.com.au)**

**MADE IN CHINA**

