



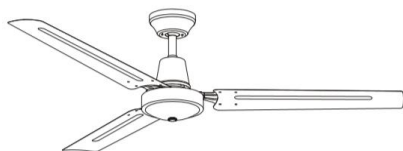
# INSTALLATION MANUAL

**THIS CEILING FAN MUST BE INSTALLED BY A QUALIFIED ELECTRICIAN, AND AN ELECTRICAL SAFETY CERTIFICATE MUST BE ISSUED ON COMPLETION OF THE INSTALLATION**

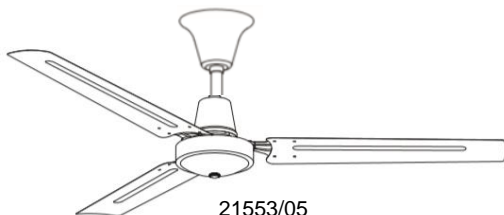
Congratulations on the purchase of your new quality Brilliant Ceiling Fan. Before first using, it is most important that you read and follow the instructions in this Installation Manual, even if you feel you are quite familiar with this type of product.

Find a place and keep this manual handy for future reference.

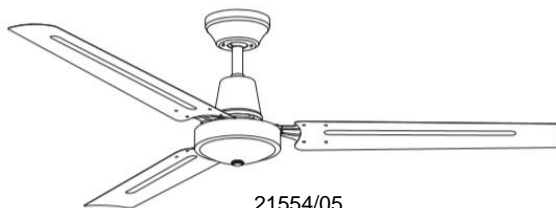
Model Name: AIRMOTION II			
Code	Colour	Size	Installation
21552/05	White	36" (900mm)	Hangsure
21553/05	White	48" (1220mm)	J - Hook
21554/05	White	48" (1220mm)	Hangsure



21552/05



21553/05



21554/05

# IMPORTANT SAFEGUARDS

---

Read all instructions carefully, even if you feel you are quite familiar with this type of appliance.

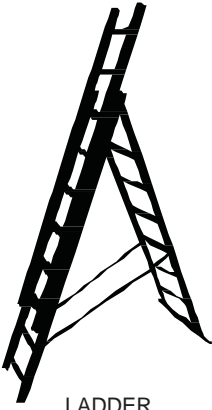
When using electrical appliances, in order to reduce the risk of fire, electric shock, and/or injury, these basic safety precautions should always be followed:

1. This appliance **MUST** be installed by a Qualified Electrical Contractor in accordance with the local regulations, and all local, state and national electrical codes. Any alterations or additions to building wiring must be completed by a licensed electrical mechanic, or person authorised by legislation to work on the fixed wiring of any electrical installation.
2. The ceiling fan must be connected to a 240V AC 50Hz power supply.
3. All electrical work must only be undertaken after disconnection of the power by removing fuses or turning off the circuit breaker, to ensure all pole isolation of the electrical supply.
4. The fan must be earthed.
5. The fan must be installed so that the blades are more than 2.1 metres above the floor.
6. The structure that the ceiling fan is connected to must be capable of supporting a weight of at least 45kg. The fixing must be able to support the moving weight of the fan and must not twist or work loose.
7. Make sure that the installation site will not allow the rotating fan blades to come into contact with any object and that there is a minimum clearance of 150mm (6") from the blade tip to the wall or ceiling. Please note that the bigger this clearance is the better the airflow from your fan will be.
8. **DO NOT** use outdoors unless covered. Refer to Warranty terms for Alfresco use.
9. **DO NOT** connect the fan motor to a dimmer switch. This may damage the motor. Use **ONLY** the provided wall controller..
10. This appliance is not intended for use by young children or infirm persons without supervision.
11. Young children should be supervised to ensure they **DO NOT** play with the appliance.
12. It is not recommended that ceiling fans and gas appliances be operated in the same room at the same time.
13. The fan must be turned off and stopped completely before reversing the fan direction. This will prevent any damage to the motor of the fan or controller (if installed).
14. Do not insert anything into the fan blades whilst they are spinning. This will damage the blades and upset the balance of the fan causing the unit to wobble.
15. After the fan is completely installed make sure that all base and fan blade fixations are secured and tightened to prevent any problems.
16. Because of the fan's natural movement, some connections may loosen. Check the support connections, brackets and blade attachments twice a year to make sure they remain secured. If any are loose, tighten.
17. **DO NOT** use a solid-state dimmer type fan controller. Use **ONLY** the provided switch controller for fan speed control.
18. An all-pole disconnection incorporated in the fixed wiring is to be provided, such as a n all-pole switch or a supply cord fitted with a plug.
19. If a remote control is installed, remove the wall controller.
20. Beware of height installation closure.
21. A blade balancing kit is included. Ensure blades are balanced immediately after installation to reduce wobble and noise.

## IMPORTANT NOTE:

The important safeguards and instructions given in this manual are not meant to cover all possible conditions and situations that may occur. It must be understood that common sense, caution and care are factors which cannot be built into any product. The persons caring for and using the unit must supply these factors.

## SUGGESTED TOOLS NEEDED



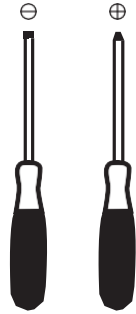
LADDER



WIRE STRIPPERS



SNUB NOSE  
PLIERS



SCREWDRIVERS



## WARNING

1. To avoid fire or electric shock, follow all wiring instructions carefully.
2. Turning off wall switch is not sufficient. To avoid possible electrical shock, be sure electricity is turn off at the main fuse box before wiring.
3. Do not install or use fan if any part is damaged or missing.
4. This product is only designed to use only those parts supplied with this product and/or any accessories designated specifically for use with this product by Brilliant Lighting. Substitutions of parts or accessories not designated for use with this product by Brilliant Lighting could result in personal injury or property damage.

# CONTENTS

---

## UNPACKING

- Preparation
- Choosing a suitable location
- Installation
  - Mounting the hanging bracket
  - Electrical Connections
  - Attach blades
  - Attach canopy
  - Optional Light kit
  - Balancing

## MAINTENANCE

- Care & Cleaning
- Noise
- Wobble
- Normal Wear & Tear

## TROUBLESHOOTING

- Technical Data

## WARRANTY

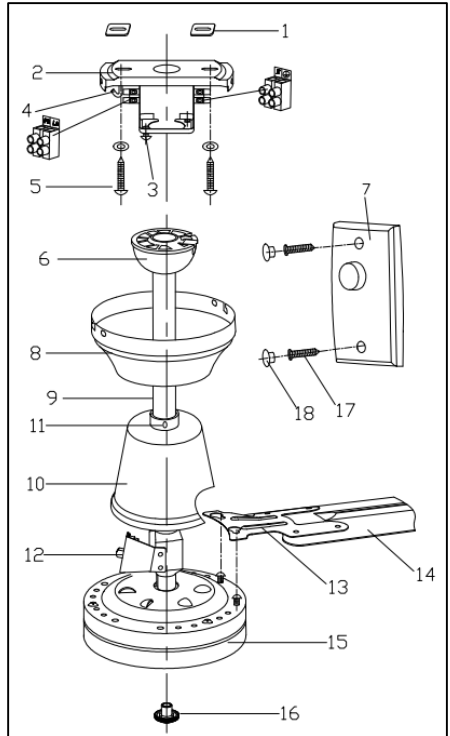
# UNPACKING

## PREPARATION:

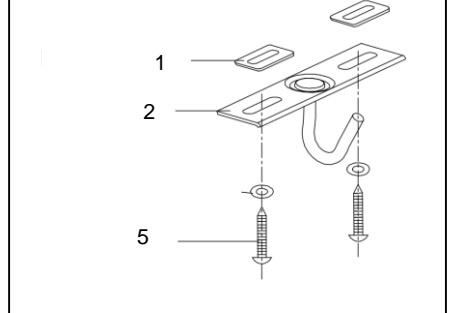
- Unpack your ceiling fan carefully, and dispose of the packaging materials thoughtfully. Place all parts and components, on a cloth or soft surface to avoid damage. DO NOT lay the motor housing on its side, the housing may get damaged.
- Before commencing installation, check that all parts are included. NB: You may need to remove all foam packaging material to ensure there are no missing components.

### Parts List:

1. Levelling Pad
2. Ceiling Mounting Bracket
3. Canopy Fixing Screw and Lock Washer
4. Terminal Block
5. Bracket Mounting Screws and Washers
6. Ball Joint
7. Wall Controller
8. Top Canopy
9. Down Rod
10. Yoke Cover
11. Yoke Cover Jam Screw
12. Forward / Reverse Switch
13. Fan Blade Bracket
14. Fan Blade
15. Fan Motor
16. Decorative Nut
17. Screw
18. Screw Cap



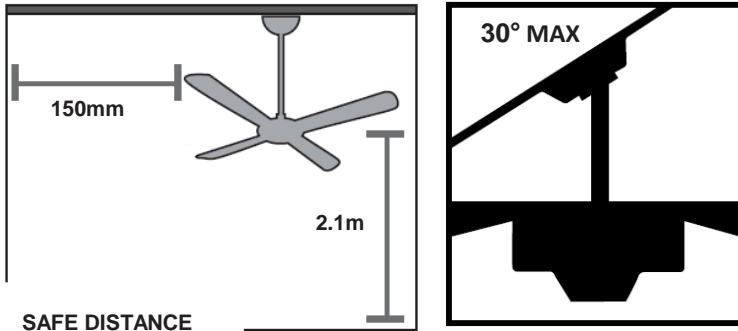
### J Hook Bracket



# CHOOSING A SUITABLE LOCATION:

---

- Ceiling fans should be installed in the middle of the room, with a safe distance of at least 2.1m from floor, and 150mm from wall.
- An extension rod may be required for rake ceiling installation.



## WARNING:

Improperly installed ceiling fans can be dangerous and expensive to repair and will void warranty. This fan is designed for indoor use only. Do not mount in positions where fan is subject to water or moisture. The fan must be installed so that the blades are greater than 2.1 meters from floor.

## Note to the installer:

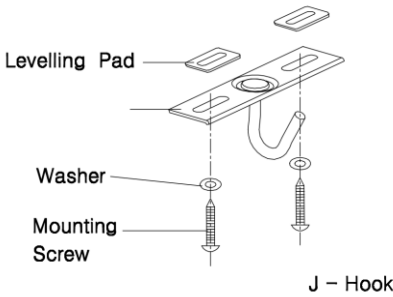
- Please retain this instruction leaflet and give it to the owner for their future reference.
- Means for disconnection must be incorporated in the fixed wiring in accordance with the wiring rules. All wiring must comply with the requirements of AS/NZS 3000.
- Use only with controller supplied.
- The fan blades supplied for this fan are matched to minimise wobble.
- If installing more than one fan do not mix blade sets.
- This appliance is not intended for use by persons (including children) with reduced physical, sensory or mental capabilities, or lack of experience and knowledge, unless they have been given supervision or instruction concerning use of the appliance by a person responsible for their safety.

# INSTALLATION:

1. Choose a location for the fan which will ensure adequate clearance from all objects and walls and greater than 2.1 metres from the floor.
2. At the selected mounting position, check whether there is a ceiling joist to which the fan can be secured. If there is no suitable supporting member, install a 50 x 100mm brace between ceiling joists. Secure the mounting bracket(2) to the ceiling with two mounting screws (5) (with rubber levelling pads beneath if required).

**Note: Install the mounting bracket with the installation hook towards the floor. Temporarily hang the top canopy by the installation hook through a mounting hole. This hook will support the entire weight of the motor housing while wiring installation takes place.**

3. It is to run wiring between the fan location to the location of the wall controller. The fan must be earthed. Wiring for light adaption shown dotted – omit if adaption is not to be used.



OR

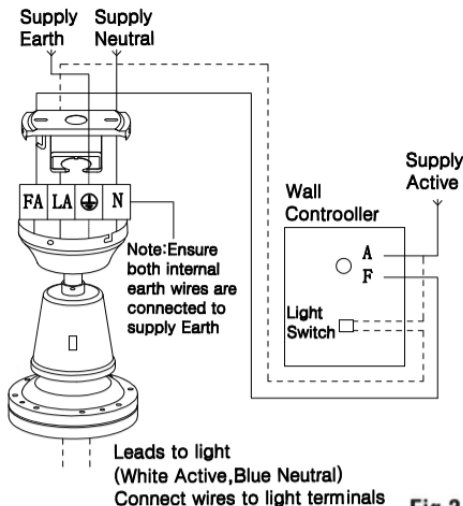
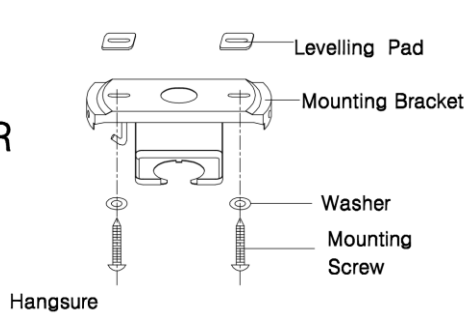


Fig 3.

# INSTALLATION:

4. Remove the plastic shipping stabilizer tabs as in Fig. 4.1 then fit the blades to the fan motor as shown below in fig. 4.2 with bracket facing upward

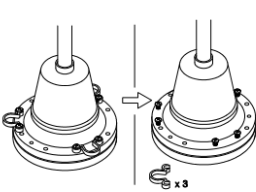


Fig. 4.1

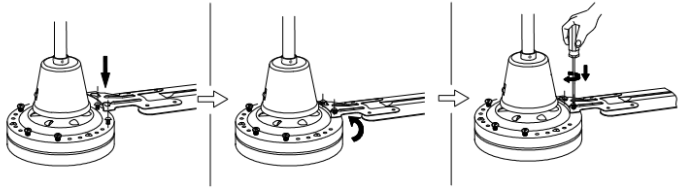
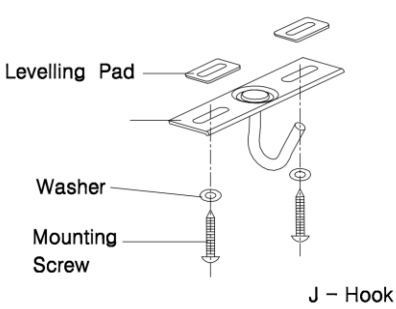


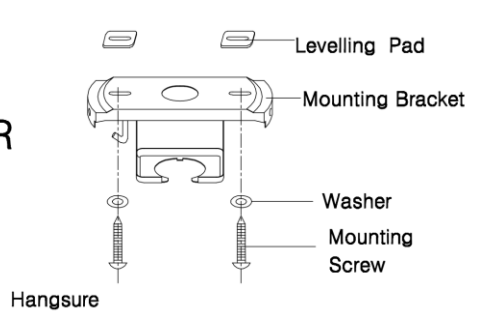
Fig. 4.2

5.1. Place the ceiling fan with the blades on the mounting bracket/or J hook. Connect the Wiring based on the electrical diagram shown on the manual on page 7.



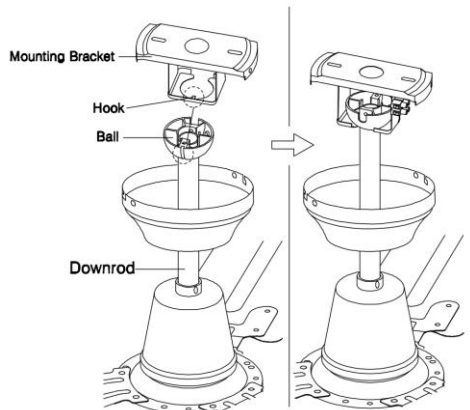
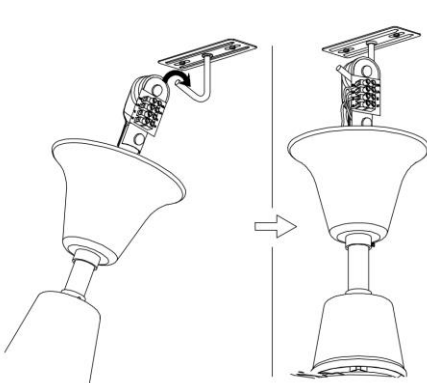
J - Hook

OR



Hangsure

5.2. Slide the Top canopy up the downrod onto the mounting bracket/J hook.

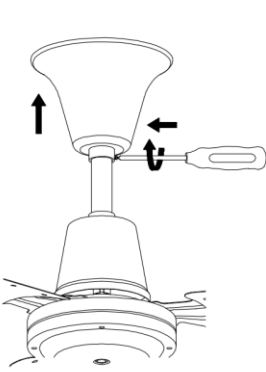




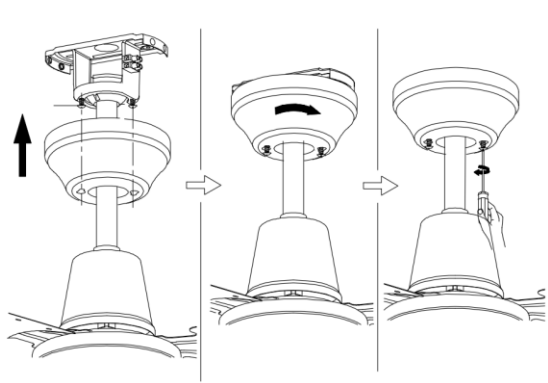
# INSTALLATION:

---

5.3. Push up and engage the slots and turn counter clockwise to lock into place. Immediately tighten the two screws underneath the mounting bracket. For J-Hook option screw the top canopy.



J - Hook



Hangsure

6. If the fan is not to be used with light fitted, leave the wire inside the motor lower canopy. Fit the decorative nut

7. The wall controller will fit on page 7 standard wall plate mountings. Wire the wall controller in accordance with Fig 3. Fit to wall. Fit screw caps.

8. Check all wiring then switch power on at switchboard, check operation.

# INSTALLATION:

## CORRECTING ANY WOBBLE EVIDENT

Please note that all ceiling fans are not the same, even in the same model—some may move more or less than others. Movement of a couple of centimeters is quite OK and does not suggest the fan will fall down.

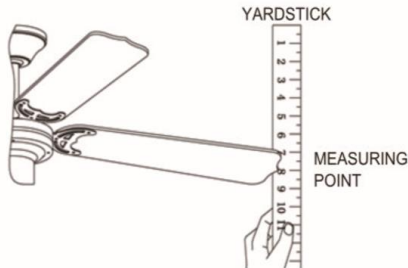
Even all blades are weighted and grouped by weight, it is impossible to eliminate wobble altogether and should not be considered a problem. Ceiling fans tend to move slightly during operation because they are not generally rigidly mounted.

The following should be performed to reduce any evident wobble.

A/ Check all the blade brackets are tightened securely.

B/ Wobble may result from inconsistent blade level. To check blade level, measure the distance from each blade tip to the ceiling. If measurements are inconsistent, adjustment of the brackets will be required. All measurements must be the same.

C/ Blade tracking may be checked simply by use of a household yardstick as shown in below Figure. Place the yardstick vertically against the ceiling and even with the outside leading edge of a blade. Note the distance of the edge of a blade same as others. Turn the blade slowly by hand to check the remaining blades. If a blade is not in alignment, the blade holder may be gently bent up or down to be in line with the other blades.



D/ Some fan movement is normal. However, interchanging an adjacent (side by side) blade pair may redistribute the weight and result in smoother operation.

## FOR 3 BLADES MODELS

1	1	1	1
2      3	2      3	2      3	2      3
<b>Numbered Tape Placement</b>	<b>Switch 1-2</b>	<b>Switch 1-3</b>	<b>Switch 2-3</b>

# MAINTENANCE

---

## CARE & CLEANING

- Periodic cleaning of your ceiling fan is the only maintenance required.
- Use a soft brush or lint free cloth to avoid scratching the finish. Please turn off electricity when you do so.
- Do not use water when cleaning your ceiling fan. It could damage the motor or the wood blades and create the possibility of an electrical shock.
- The motor has a permanently lubricated ball bearing, and as such is maintenance free.

## NOISE

The manufacturer warranty covers actual faults that may develop, but NOT minor complaints, e.g. hearing slight noise from motor in operation - ALL ELECTRIC MOTORS ARE AUDIBLE TO SOME EXTENT, more so, when the fan is operating at low speeds.

## WOBBLE

- Ceiling fans are mounted very securely on steel brackets with rubber cushioning or with ball joints to allow free movement.
- Ceiling fans are designed to move during operation because they are not generally rigidly mounted - if they were, they could generate excessive ceiling vibration and stress on their mountings.
- Movement of a couple of centimetres is quite OK and does not suggest the fan will fall down.
- Please note that all ceiling fans are not the same, even in the same model - some may move more or less than others.

## NORMAL WEAR AND TEAR:

Threaded components working slightly loose or blade carriers even slightly bent due to vigorous cleaning or bumping can cause extra wobble and noise. THIS IS NOT COVERED UNDER WARRANTY but a little care and maintenance can reduce or prevent this problem.

# TROUBLESHOOTING

TROUBLE	PROBABLE CAUSE	SUGGESTED REMEDY
<b>Fan/Light will not start</b>	<b>A</b> Fuse or circuit breaker has blown.	<b>A</b> Check main and branch circuit breakers
	<b>B</b> Loose wire connections to the fan.	<b>B</b> Check line wire connections to the fan.
	<b>C</b> Speed controller not in the correct position.	<b>C</b> Check speed controller's position.
<b>Fan wobbles</b>	<b>A</b> Fan blades are not horizontal to the ceiling.	<b>A</b> Re-tighten all screws on blades. <b>Do not</b> make any adjustments by applying pressure up or down on blades.
	<b>B</b> Blade screws are loose.	<b>B</b> Make sure all screws are tightened.
	<b>C</b> Fan not balanced.	<b>C</b> Balance fan blade with balance kit.
<b>Fan sounds noisy</b>	<b>A</b> Loose fan blades.	<b>A</b> Retighten all screws on fan.
	<b>B</b> Ceiling fan not secured against ceiling.	<b>B</b> Retighten all screws in the hanging bracket.
	<b>C</b> Incorrect speed controller.	<b>C</b> Change speed controller to the one supplied with the unit.
<b>Mechanical noise</b>	<b>A</b> Fan has not settled in fully.	<b>A</b> Allow at least 8 hours settling in period.

## TECHNICAL DATA

MODEL NUMBER	SIZE	RATED VOLTAGE	RATED POWER FOR MOTOR
21552	36 INCH	240VAC	55W
21553	48 INCH	240VAC	55W
21554	48 INCH	240VAC	55W

## ACCESSORIES (SOLD SEPARATELY)

Extension Rods with loom kit
100550/05 (White)

# WARRANTY

---

**Please note, this warranty voids any other warranties supplied with this product and complies with the new consumer guarantee requirements.**

The benefits conferred by this warranty are in addition to all implied warranties, other rights and remedies in respect of the product, which the consumer has under Australian Consumer Law.

The original purchaser of this Brilliant Ceiling Fan is provided with the following warranty subject to the Brilliant Warranty terms and conditions as found on the Brilliant website and the following conditions.

Brilliant Lighting (Aust) Pty Ltd warrants this ceiling fan motor for a period of 6 years from the date of purchase, the first 3 years are covered by an In-home warranty. All parts deemed defective in workmanship or materials will be replaced free of charge. Remote controllers, Wall controllers and Light fittings are subject to Limited warranty status.

PARTS	TOTAL WARRANTY PERIOD	IN-HOME SERVICE PERIOD
Ceiling Fan Motor	6 YEARS	3 YEARS
Wall Controller	2 YEARS	2 YEARS
Remote Controller Set	2 YEARS	2 YEARS
Light Fittings	2 YEARS	2 YEARS

*\*Consumable items such as Batteries and Light Globes will not be covered by this warranty.*

This warranty is in addition to any other rights and remedies of the customer under any law. In applications not intended for household, personal or domestic use, liability is limited to replacement or reimbursement of product only.

The warranted use of fans outdoors are limited to Enclosed Alfresco like areas where conditions are similar to indoor installations.

The warranty conditions for fans installed in Enclosed Alfresco areas are as follows:

- \* Fan must be shielded from wind and rain (enclosed area, min. 1.5m from edge of eave/roof).
- \* The warranty will cover open circuit motor faults, and remote control faults if not related to outdoor exposure.
- \* The Warranty will not cover outdoor related issues such as rusting, or failure clearly caused by water, moisture or wind.
- \* The Warranty will not cover external appearance or finish of any part of the ceiling fan.
- \* The Warranty will not cover wooden blades. These are recommended only to be used indoors.

The warranty does not cover Ripple Control noise/interference (identified by a periodic or intermittent hum). This must be addressed with your energy service provider.

The warranty does not cover noises or faults due to poor installation or failure to balance fans as per instructions.

*Our goods come with guarantees that cannot be excluded under the Australian Consumer Law. You are entitled to a replacement or refund for a major failure and compensation for any other reasonably foreseeable loss or damage. You are also entitled to have the goods repaired or replaced if goods fail to be of acceptable quality and the failure does not amount to a major failure.*

Any claim under this warranty must be made within the warranty period of the date of purchase of the product. To make a warranty claim please refer to the Warranty Claim Form on the Brilliant Website: [www.brilliantlighting.com.au](http://www.brilliantlighting.com.au)

This warranty is given by:

**Brilliant Lighting (Aust) Pty. Ltd.**

**ABN 37 006 203 694**

**956 Stud Road Rowville, VIC 3178**

**Phone: 03 9765 2555**

**Email: [warranty@brilliantlighting.com.au](mailto:warranty@brilliantlighting.com.au)**

**MADE IN CHINA**

