



ROMI – Wall Sconce

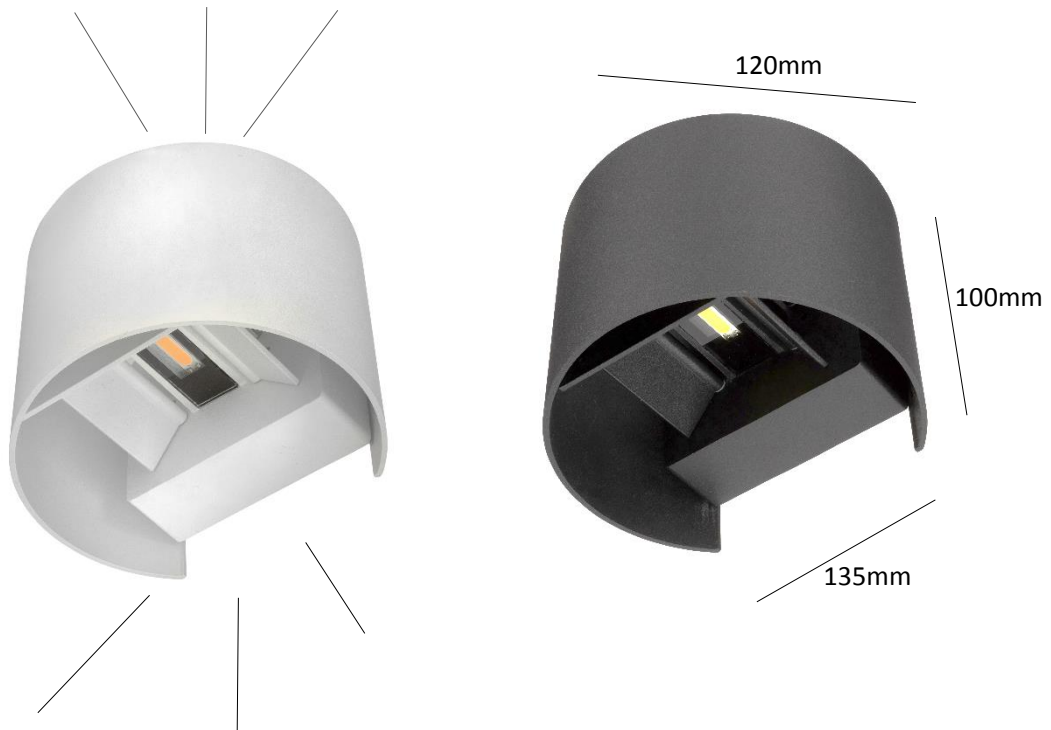
Model No. :	21839/05	21839/06
Colour :	White	Black

Congratulation on the purchase of your new Brilliant product. Before first using, it is most important that you read and follow these instructions, even if you feel you are quite familiar with this type of product. Keep this document handy for future reference.

THIS FITTING MUST BE INSTALLED BY A QUALIFIED ELECTRICAL CONTRACTOR in accordance with the latest AS/NZS 3000 and relevant amendments

FOR YOUR SAFETY

- To prevent electrical shock, please ensure that **POWER is DISCONNECTED** before installation.
- During use the light head and/or light assembly may become hot.
- Do not install in a position where the fitting can be easily accessed by children or the infirm.
- Do not touch any parts of the assembly with bare hands while it is 'ON'.
- Be aware of the height of your installation. Refer to '**Working at Heights**' guide from your local or State Authorities.
- Any alterations or additions to building wiring **must be completed by a licensed electrician** or person authorised by legislation to work on the fixed wiring of any electrical installation.



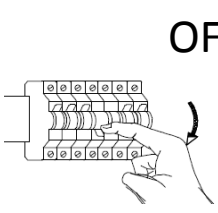
Model No. :	21839/05	21839/06
Colour :	White	Black

Before first using your new fitting, it is most important that you read and follow these instructions, even if you feel you are quite familiar with this type of product. Retain this document for future reference.

THIS FITTING MUST BE INSTALLED BY A QUALIFIED ELECTRICAL CONTRACTOR in accordance with the latest AS/NZS 3000 and relevant amendments

INSTALLATION

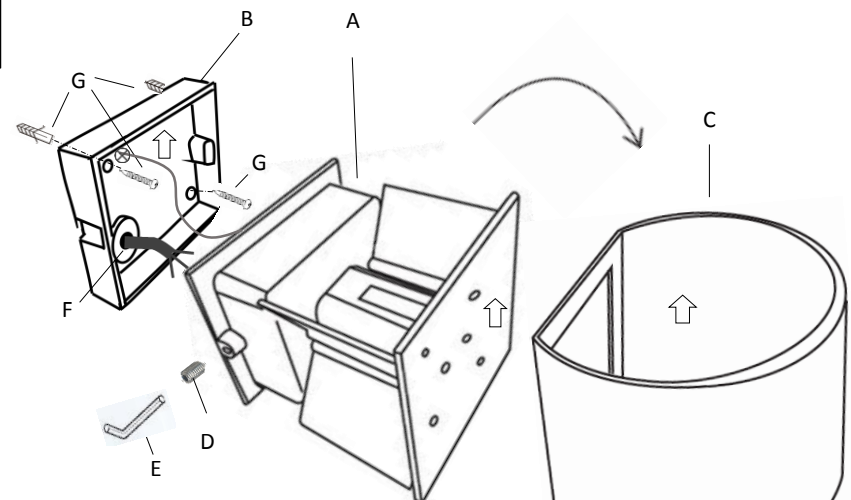
1



OFF

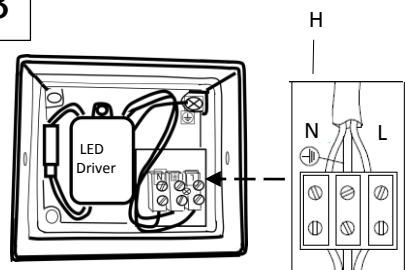
Turn power **OFF** !

2




Remove decorative cover 'C' from fitting 'A'. Remove mounting base 'B' from fitting body 'A' by undoing grub screws 'D' from both sides of the fitting with Allen key 'E' provided. Drill two holes in the wall using the holes in the mounting base 'B' as a template. Feed mains supply cable through the wall and weatherproof grommet 'F'. Ensure the grommet is tight around the cable. Apply silicone if required to maintain IP rating. Use screws and suitable fixture system 'G' to install the mounting base onto the wall securely. NOTE: Refer to the UP arrow on it for correct orientation.

3

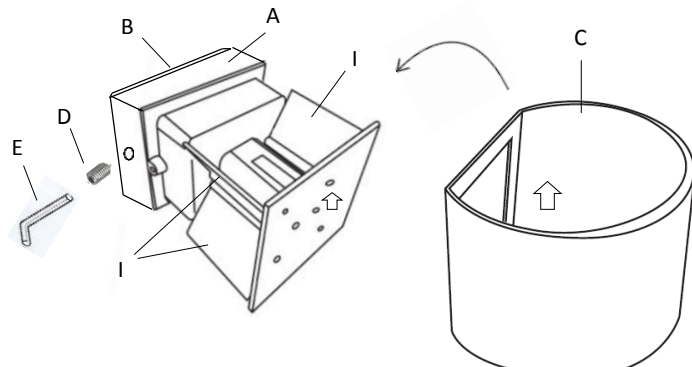


Connect supply cable to terminal block 'H' according to the marking on it :

- L - Active
-  -Earth
- N -Neutral

Tighten screws firmly.

4



Fit fitting body 'A' onto mounting base 'B' and secure it on with 2 x grub screws 'D' removed earlier with Allen key 'E' provided. Adjust 4 x flaps 'I' to desired position. Slide decorative cover 'C' onto the fitting 'A' from the TOP. Refer to the 'UP' arrow on it for correct orientation. Ensure it fits securely.

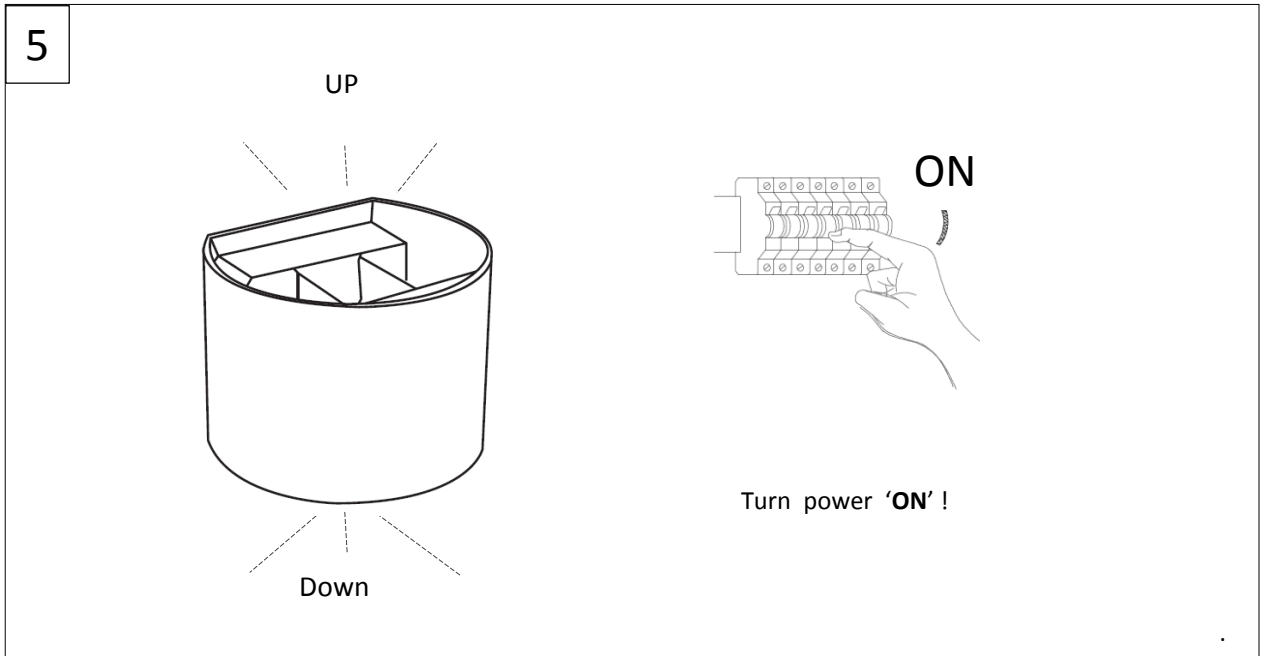


ROMI – Wall Scone

Model No. :	21839/05	21839/06
Colour :	White	Black

Before first using your new fitting, it is most important that you read and follow these instructions, even if you feel you are quite familiar with this type of product. Retain this document for future reference.

THIS FITTING MUST BE INSTALLED BY A QUALIFIED ELECTRICAL CONTRACTOR in accordance with the latest AS/NZS 3000 and relevant amendments



SPECIFICATIONS

- 220~240VAC 50Hz
- LED Driver, Input 110-240VAC OUTPUT: 9-20V DC 300mA, Power: 6W, SELV
- LED Array, 6W Warm White, Lumen output 350lm -(21839/06 black) and 450lm-(21839/05 White)
- Housing material: Die-cast aluminium
- Glass diffuser
- Protection: Class I
- IP65
- Suitable for Indoor or Outdoor use
- Not dimmable
- Dimensions: 135mm x 120mm x 100mm
- Weight: 0.65kg
- Must be installed by qualified electrician



ROMI– Wall Score

Model No. :	21839/05	21839/06
Colour :	White	Black

WARNINGS

- Check before installation that the mounting surface is suitable for the fixture.
- Do not install it on surfaces which can move or vibrate.
- Do not immerse any part of the fitting into water or any liquid.
- Do not drive the grub screw beyond the surface of the body.
- Ensure the mounting bracket is affixed firmly to the mounting surface.
- Ensure wire connections are firm.
- Ensure all screws are tightened.
- Do not attempt to perform modification or change parts within the light fixture.
- Dispose of packaging thoughtfully.
- When the light fitting reaches it's end life, recycle in accordance with your local regulations.

Warranty:

Brilliant Lighting warrants this product against defects in manufacture and workmanship for a period of 3 years from date of purchase or as specified elsewhere. For products used in non-domestic or commercial applications, Brilliant Lighting warrants this product for a period of 3 months from date of purchase. This warranty is only valid for products installed and operated within the guidelines specified by Brilliant Lighting, and within the correct operating voltage ranges as stated on the product's rating label.

Warranty does not include damage or loss arising from incorrect installation, operation or maintenance of this product, damage caused through modification, incorrect installation, service by unqualified or unauthorised personnel or lack of regular maintenance and cleaning. Proof of installation by qualified personnel may be required, e.g. Electrical Safety Certificate. Proof of purchase must be supplied with all warranty claims.

This warranty is provided in addition to any other rights and remedies of the customer under any law. In applications not intended for household, personal or domestic use, liability is limited to replacement or reimbursement of product only. Brilliant Lighting does not warranty the costs of removal or re-installation of this product or associated components.

Our goods come with guarantees that cannot be excluded under the Australian Consumer Law. You are entitled to a replacement or refund for a major failure and compensation for any other reasonably foreseeable loss or damage. You are also entitled to have the goods repaired or replaced if goods fail to be of acceptable quality and the failure does not amount to a major failure.

Any claim under this warranty must be made within the specified warranty period from date of purchase of this product. To make a claim under the warranty; at your own expense take the product (with proof of purchase – receipt or similar) to the store where you purchased the product or contact Brilliant Lighting at the address below.

This warranty is given by:

Brilliant Lighting (Aust) Pty. Ltd.
ABN 37 006 203 694
956 Stud Road Rowville, VIC 3178
Phone: 03 9765 2555
Email: Warranty@brilliantlighting.com.au
MADE IN CHINA