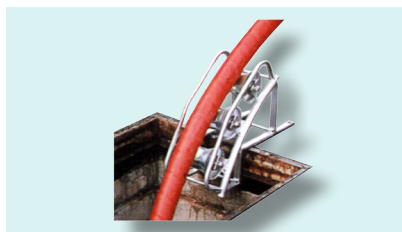


C109.G



C109.G Galvanised triple guide roller for manholes.
C109.G1 Version with aluminium rollers.

	rollers	dimensions	weight
	mm	mm	kg
C109.G	Ø75/110x180	500x220x400	13
C109.G1	Ø70/130x170	500x220x400	17

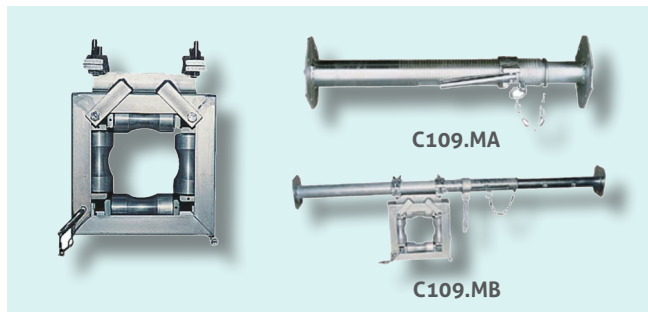
C109.I



Adjustable boom with aluminium cable roller.

	rollers	boom length	weight
	mm	mm	kg
C109.I.1	Ø110/210x110	300-500	12
C109.I.2	Ø110/210x110	500-800	15
C109.I.3	Ø110/210x110	600-1000	19
C109.I.4	Ø110/210x110	1000-1500	24
C109.I.5	Ø110/210x110	1500-1800	27
C109.I.6	Ø110/210x110	1800-2400	30

C109.M



C109.M Cable guiding device with 4 protection rollers.
C109.MA Adjustable boom for cable guiding device C109.M.
C109.MB Cable guiding device with 4 protection rollers Ø60mm (C109.M), complete with adjustable boom (C109.MA).

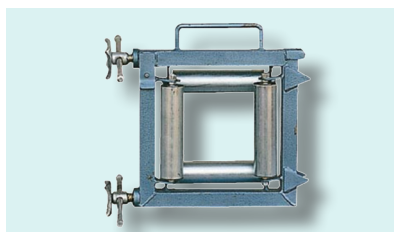
C109.H



Adjustable boom with aluminium cable roller.

	rollers	boom length	weight
	mm	mm	kg
C109.H.1	Ø110/210x110	300-500	9,5
C109.H.2	Ø110/210x110	500-800	10
C109.H.3	Ø110/210x110	600-1000	13
C109.H.4	Ø110/210x110	1000-1500	16
C109.H.5	Ø110/210x110	1500-1800	18
C109.H.6	Ø110/210x110	1800-2400	23

C109.L



Cable guiding device with 4 protection rollers

	passage between rollers	rollers	dimensions	weight
	mm	mm	mm	kg
C109.L	250	Ø 60	550x130x500	15

	passage between rollers	rollers	dimensions	weight
	mm	mm	mm	kg
C109.M	250	Ø 60	550x130x500	15

	boom length	weight	boom length	weight	
	mm	kg	mm	kg	
C109.MA.1	500-800	7	C109.MB.1	500-800	10
C109.MA.2	600-1000	10	C109.MB.2	600-1000	13
C109.MA.3	1000-1700	12	C109.MB.3	1000-1700	15
C109.MA.4	1400-2400	14	C109.MB.4	1400-2400	17

Dimensions and weights are without optional devices. All data may change without notice. Images and drawings are indicative only.